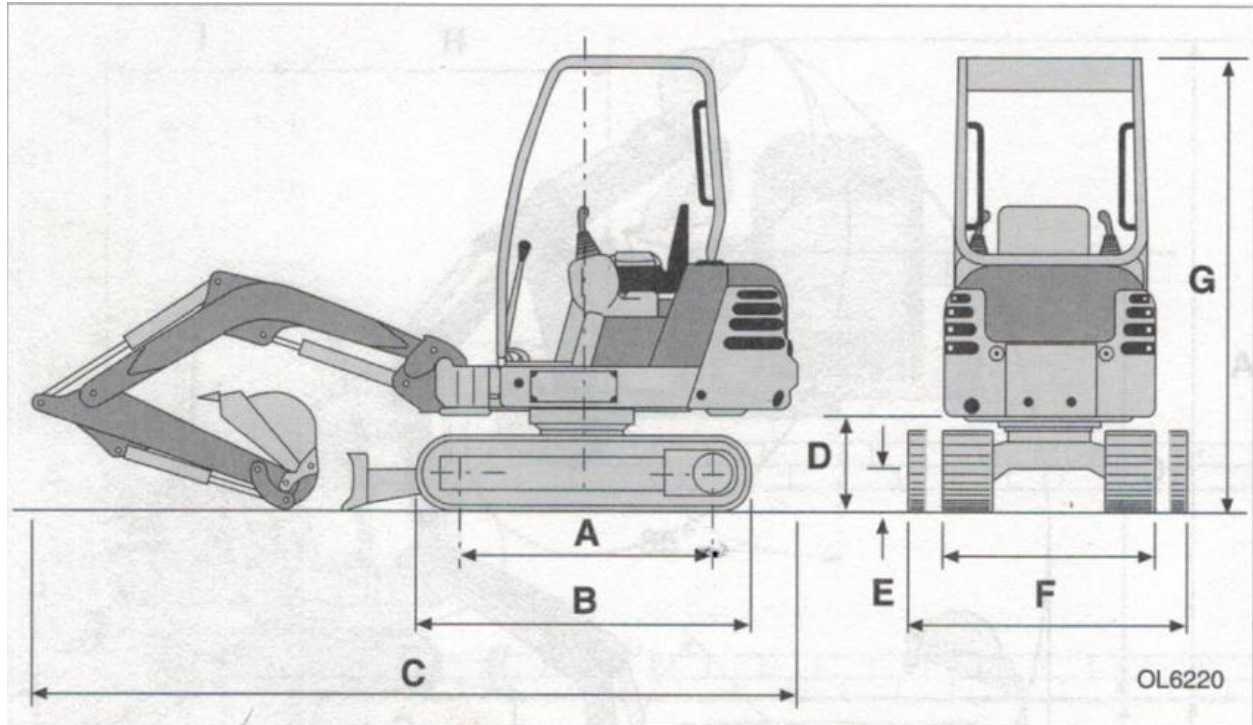


## SCAT TRAK 218 MINI EXCAVATOR



<b>MODEL:</b>	<b>218sv</b>
<b>A</b> Track Length – idler to Drive Sprocket	44"
<b>B</b> Undercarriage Length	58"
<b>C</b> Vehicle Side Length	143"
<b>D</b> Ground Clearance (Upper structure)	19"
<b>E</b> Ground Clearance (Under carriage)	8"
<b>F</b> Track width	39.4" Retracted 51" Extended
<b>G</b> Height – Top of Protective Structure	87"
<b>Track Shoe Width</b>	9"
<b>Dozer Blade Width</b>	39.4" Retracted 51" Extended
<b>Vehicle Weight w/canopy</b>	3,637 lb.