

TAKEUCHI

Those in the know, know Takeuchi

OPERATING PERFORMANCE

Operating Weight	Canopy 7,650 lbs (3,469 kg)
Standard machine with bucket and rubber tracks	Cab 7,950 lbs (3,605 kg)
Maximum Digging Depth	11 ft 2 in (3,400 mm)
Maximum Dump Height	12 ft 6 in (3,815 mm)
Maximum Reach	17 ft 11 in (5,465 mm)
Maximum Bucket Digging Force	8,582 lbs (3,893kg)
Maximum Arm Digging Force	3,597 lbs (1,632 kg)
Arm Length	5 ft 3 in (1,600 mm)
Slew Speed	10.2 rpm
Traction Force	8,871 lbs (4,024 kg)

ENGINE

Make/Model	Yanmar / 3TNV88
Tier Rating	Interim Tier 4
Cylinders/Displacement	3 / 100 cu in (1.6 L)
Horsepower Gross (SAE J1995)	29.8 hp (22.2 Kw)
Horsepower Net (SAE 1349)	28.8 hp (21.5 Kw)
Rated Engine Speed	2,400 rpm
Maximum Torque	79 ft-lb @ 1,440 rpm (107 Nm)
Engine Lubrication	5.0 qt (4.7.0 L)
Cooling System	9.2 qt (8.7 L)
Fuel Tank Capacity	14.0 gal (53.0 L)
Fuel Consumption (65% of full load)	0.9 gal / hr (3.4 L / hr)
Electrical System	12 volts / 40 amps

UNDERCARRIAGE

Traction Drive Type	Hydrostatic Drive System with Auto Shift
Parking Brake	Spring Applied, Hydraulically Released, Multiple Wet Friction Disk
Track Rollers	4 per side
Track Width	13.8 in (350 mm)
Track Ground Contact Length	5 ft 5 in (1,655 mm)
Ground Pressure	Canopy 3.8 psi Cab 4.0 psi
Maximum Travel Speed	
Low Range	1.6 mph (2.6 km / hr)
High Range	3.1 mph (5.0 km / hr)

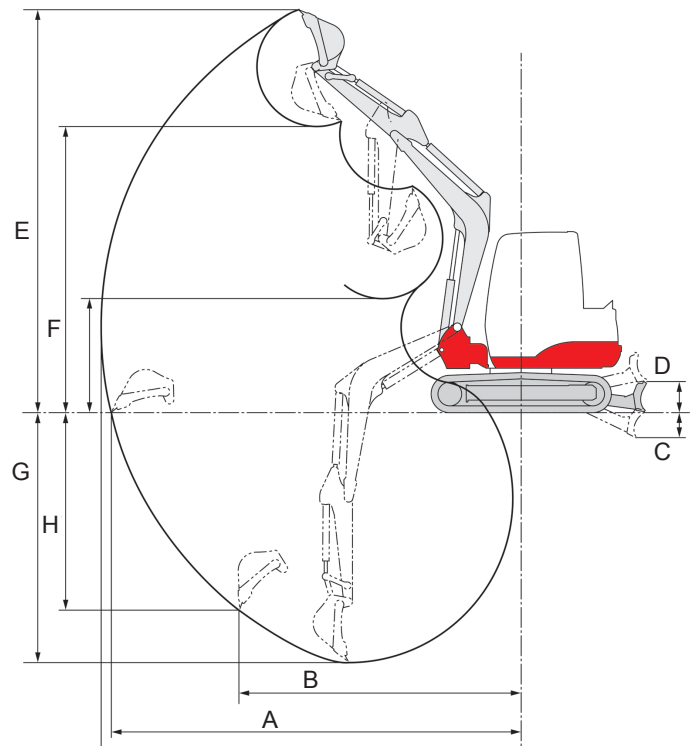
HYDRAULIC

Pump Type	Variable Displacement Piston Pumps x 2 and Gear x 2
Total Hydraulic Flow	29.4 gal / min (111.0 L / min)
Auxiliary Hydraulic Flow	16.3 gal / min (61.8 L / min)
System Operating Pressure	3,000 psi (20.6 mpa)
Hydraulic Reservoir Capacity	9.2 gal (35.0 L)
Hydraulic System Capacity	17.7 gal (67.0 L)



WORKING DIMENSIONS

A. Maximum reach	17 ft 11 in (5,465 mm)
B. Maximum Reach Ground Level	17 ft 6 in (5,345 mm)
C. Blade Max Lower	1 ft 3.9 in (405 mm)
D. Blade Max Lift	1 ft 3.4 in (390 mm)
E. Maximum Dig Height	17 ft 2 in (5,240 mm)
F. Maximum Dump Height	12 ft 6 in (3,815 mm)
G. Maximum Dig Depth	11 ft 2 in (3,400 mm)
H. Maximum Vertical Dig Depth	8 ft 6 in (2,600 mm)



Product Features

ENGINE

- ◆ EPA Interim Tier 4 Compliant
- ◆ Automatic Fuel Bleed System
- ◆ Extended Life Coolant
- ◆ Dual Element Air Cleaner
- ◆ Automatic Idle

ELECTRICAL

- ◆ Electronic monitoring system that includes visual and audible alarms for low oil pressure, high engine coolant temperature, air cleaner restriction, and charge level
- ◆ 12 Volt System with 40 Amp Alternator
- ◆ Work Lights: Boom, Side Cover
- ◆ Engine Preheat
- ◆ Hour Meter
- ◆ Travel Alarm

UNDERCARRIAGE AND FRAME

- ◆ Triple Flange Track Rollers
- ◆ Sloped Frame with Open Centers
- ◆ 2-Speed Travel with Automatic Shift
- ◆ Heavy Duty Dozer Blade with Float
- ◆ Cast Iron Wrap Around Protective Counterweight
- ◆ 13.8" Rubber or Steel Tracks
- Power Angle Blade, Angles 25° Right and Left

HYDRAULIC

- ◆ Cushioned Main Boom, Arm, and Swing Cylinders
- ◆ Precise and Responsive Pilot Controls
- ◆ Primary Auxiliary Hydraulic Circuit Plumbed to Arm with 1-Way and 2-Way Operation
- ◆ Accumulator
- ◆ Hydraulic Oil Cooler with Sight Gauge
- ◆ Auxiliary Detent (Primary Circuit)

WORKING EQUIPMENT

- ◆ Main Boom Cylinder Guard
- ◆ Long Arm with Integrated Thumb Mount
- Dual Pin Position Bucket
- Mechanical Bucket Quick Coupler
- Main Pin Hydraulic Thumb

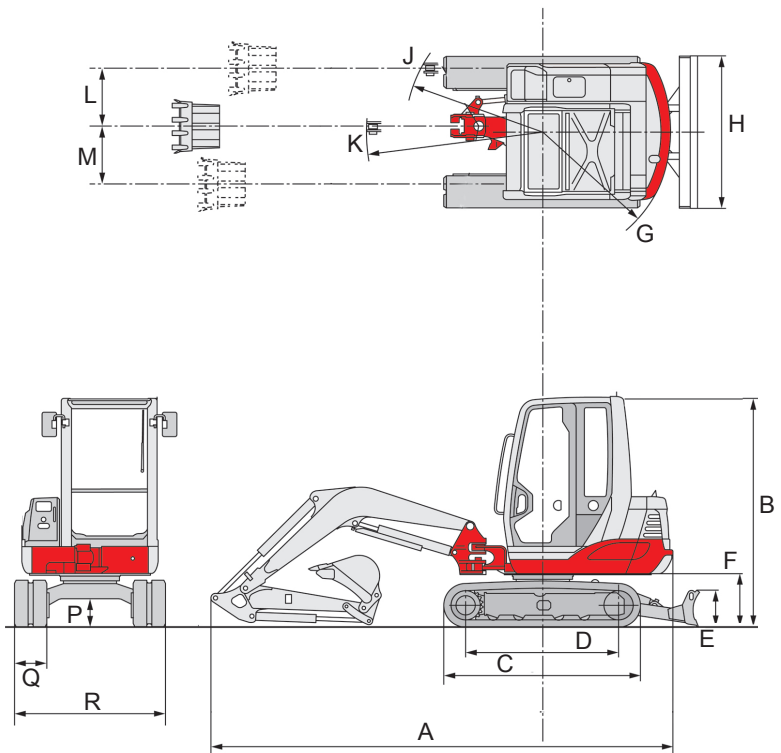
OPERATOR'S STATION

- ◆ ROPS / TOPS / FOPS Four Post Canopy
- ◆ Tilt-up Operator Station for Outstanding Service Access
- ◆ Six Way Adjustable Suspension Seat with Adjustable Arm Rests
- ◆ Quick Change Control Pattern (ISO or SAE)
- ◆ Proportional Slide Switch for Auxiliary Hydraulics
- ◆ 2 in Retractable Seat Belt
- 3 in Seat Belt
- Cab with Air Conditioner, Heat, Defrost, Windshield Wiper and Washer, AM / FM / MP3 Radio

◆ - Standard ○ - Optional

MACHINE DIMENSIONS

A. Transport Length	16 ft 6 in (5,020 mm)
B. Transport Height	8 ft 0 in (2,450 mm)
C. Undercarriage Length	6 ft 11 in (2,110 mm)
D. Track Ground Contact Length	5 ft 5 in (1,665 mm)
E. Dozer Blade Height	1 ft 3.5 in (395 mm)
F. Counter Weight Ground Clearance	1 ft 10.4 in (570 mm)
G. Tail Swing (Slew) Radius	4 ft 7 in (1,395 mm)
H. Dozer Blade Width	5 ft 4 in (1,630 mm)
J. Min. Front Radius (Offset)	5 ft 0 in (1,535 mm)
K. Min. Front Radius (Straight)	6 ft 4 in (1,950 mm)
L. Offset Working Distance (Right)	2 ft 4 in (620 mm) @ 60°
M. Offset Working Distance (Left)	2 ft 2 in (615 mm) @ 80°
P. Ground Clearance	11.6 in (295 mm)
Q. Track Width	13.8 in (350 mm)
R. Undercarriage Width	5 ft 4 in (1,630 mm)



TAKEUCHI
Those in the know, know Takeuchi