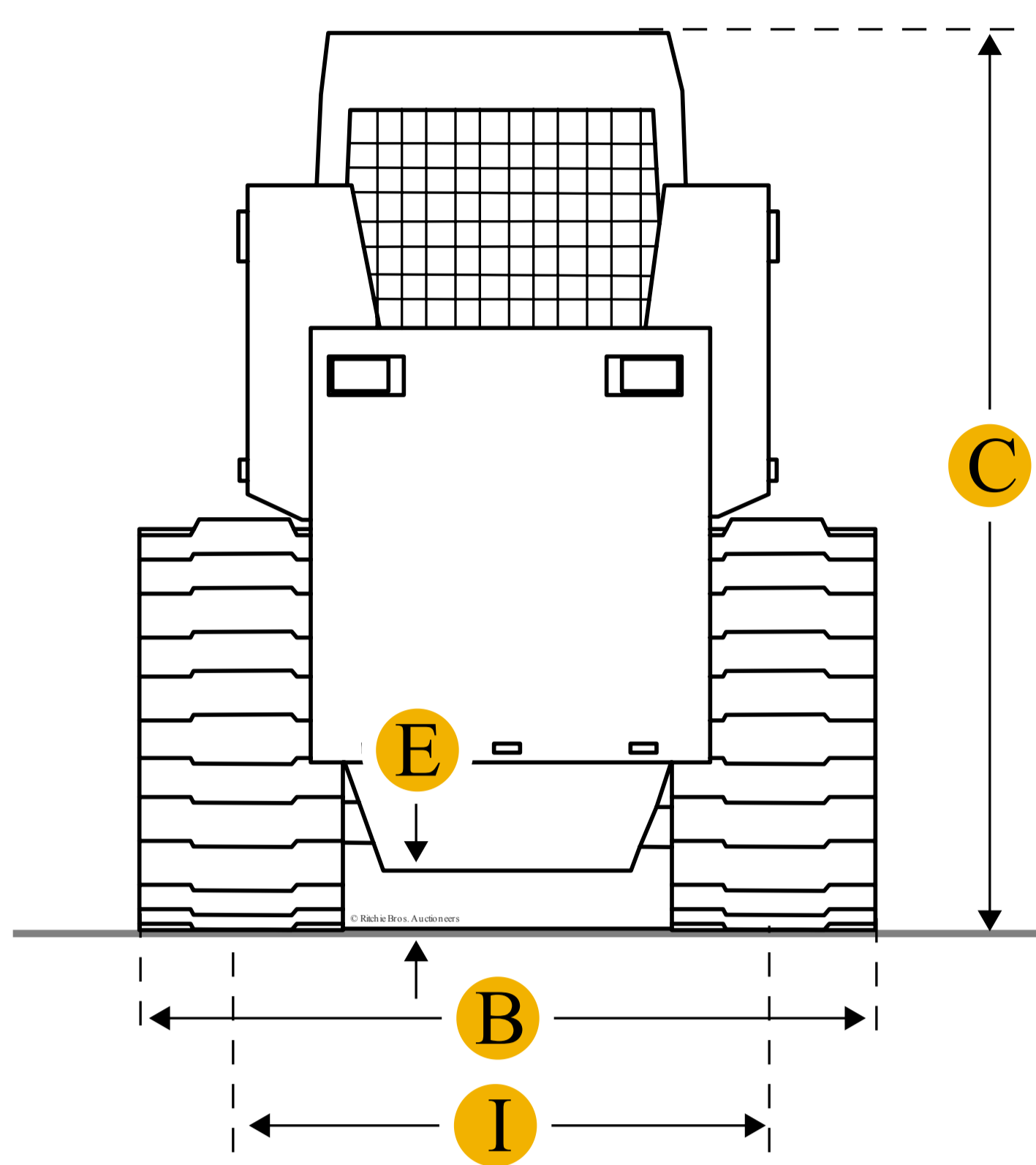
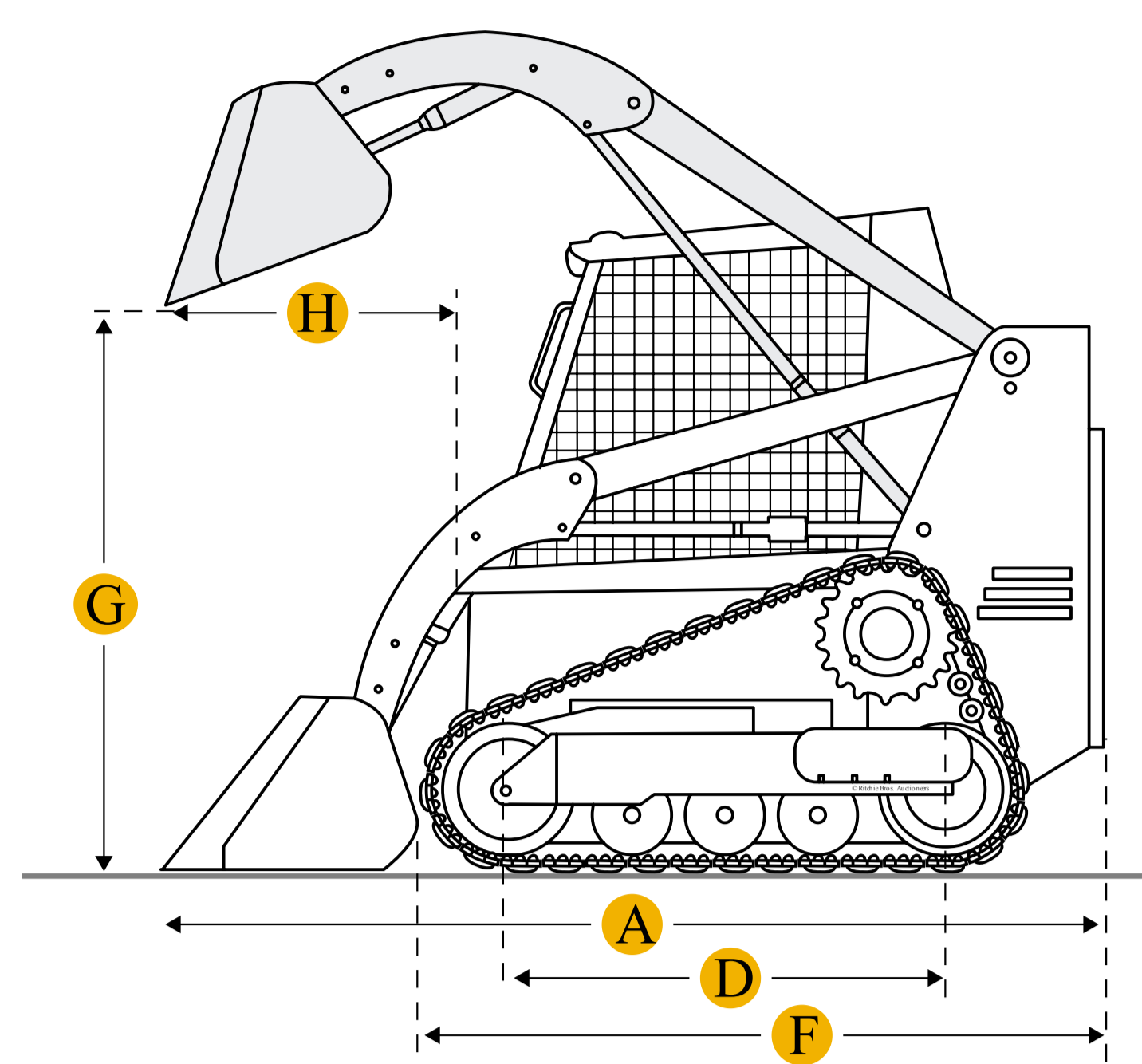
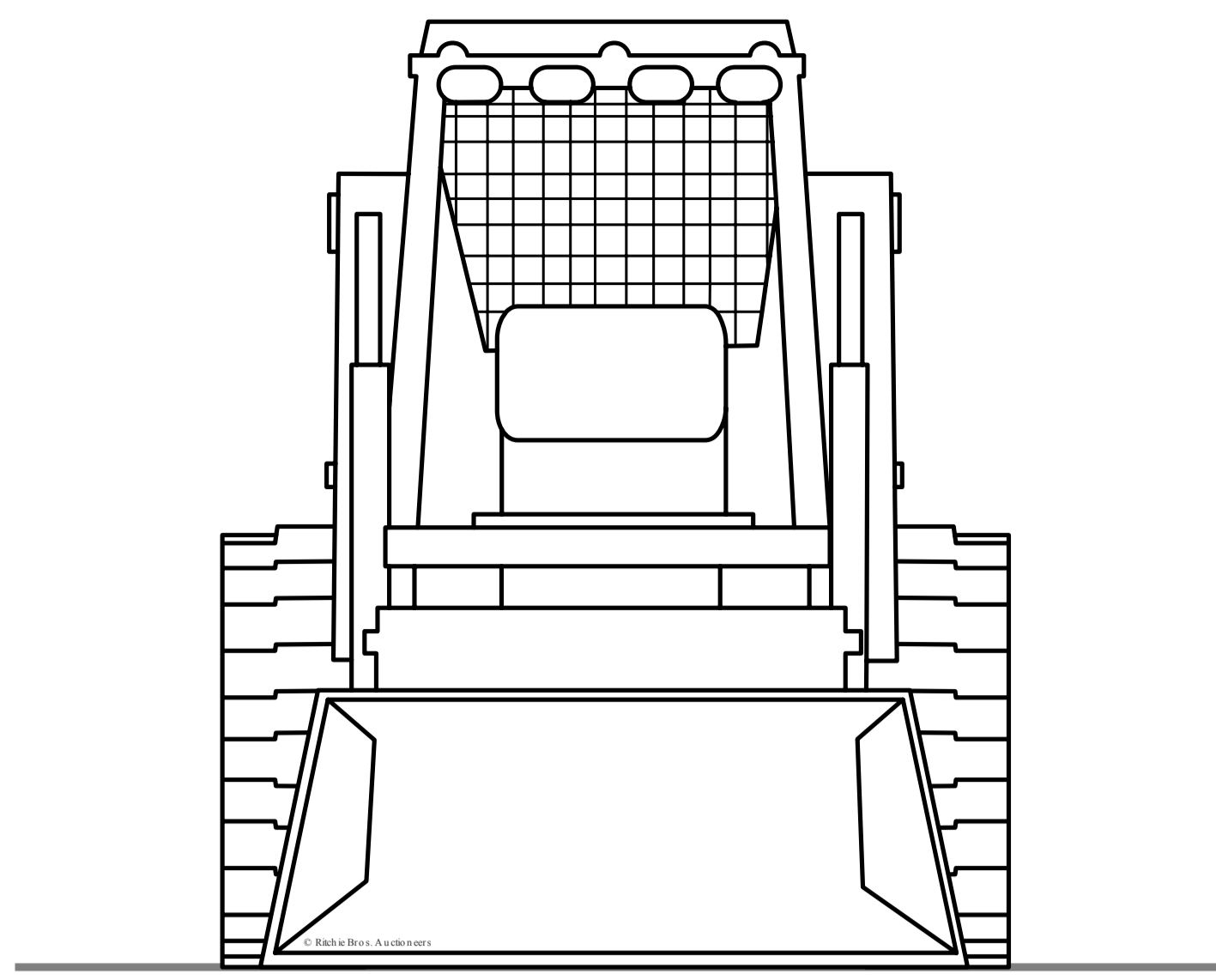


## Volvo MCT135C Multi Terrain Loader



### Dimensions

Dimensions	
<b>B</b> Width Over Tracks	6.5 ft in
<b>C</b> Height to Top of Cab	6.83 ft in
<b>E</b> Ground Clearance	9.77 in
<b>G</b> Clearance at Max Lift and Dump	7.85 ft in
<b>H</b> Reach at Max Lift and Dump	2.96 ft in

### Specifications

Engine	
Number of Cylinders	4
Engine Make	2257
Engine Model	TC63
Gross Power	92 hp
Net Power	92 hp
Power Measured @	2200 rpm
Peak Torque	301 lb ft
Torque Measured @	1800 rpm
Displacement	268 cu in
Aspiration	Turbocharged
Operational	
Operating Weight	10663 lb
Fuel Capacity	27.3 gal
Cooling System Fluid Capacity	4.1 gal
Engine Oil Capacity	4 gal
Hydraulic System Fluid Capacity	15.9 gal
Operating Voltage	12 V
Alternator Supplied Amperage	95 amps
Max Speed - low range	5.8 mph
Max Speed - high range	7.9 mph
Undercarriage	
Width of Track	17.8 in
Loader	
Operating Load	3000 lb
Tipping Angle	8628 degrees
Bucket Capacity	0.9 yd <sup>3</sup>
Bucket Width	78 in
Hydraulic	
Pump Flow	23 gal/min
Relief Valve Pressure	3335 psi
Dimensions	
Width Over Tracks	6.5 ft in
Length with Bucket	12.5 ft in
Length with out Bucket	9 ft in
Height to Top of Cab	6.9 ft in
Ground Clearance	9.8 in
Clearance at Max Lift and Dump	7.9 ft in
Reach at Max Lift and Dump	3 ft in
Turning Radius from Center - machine rear	69.3 in
Turning Radius from Center - inc bucket	69.3 in