



An Oshkosh Corporation Company

Illustrated Parts Manual

Scissor lift Trailer

*Approved to transport
JLG Models
R6, 1932R & 1930ES*

TSL2000

1001233509

June 12, 2018



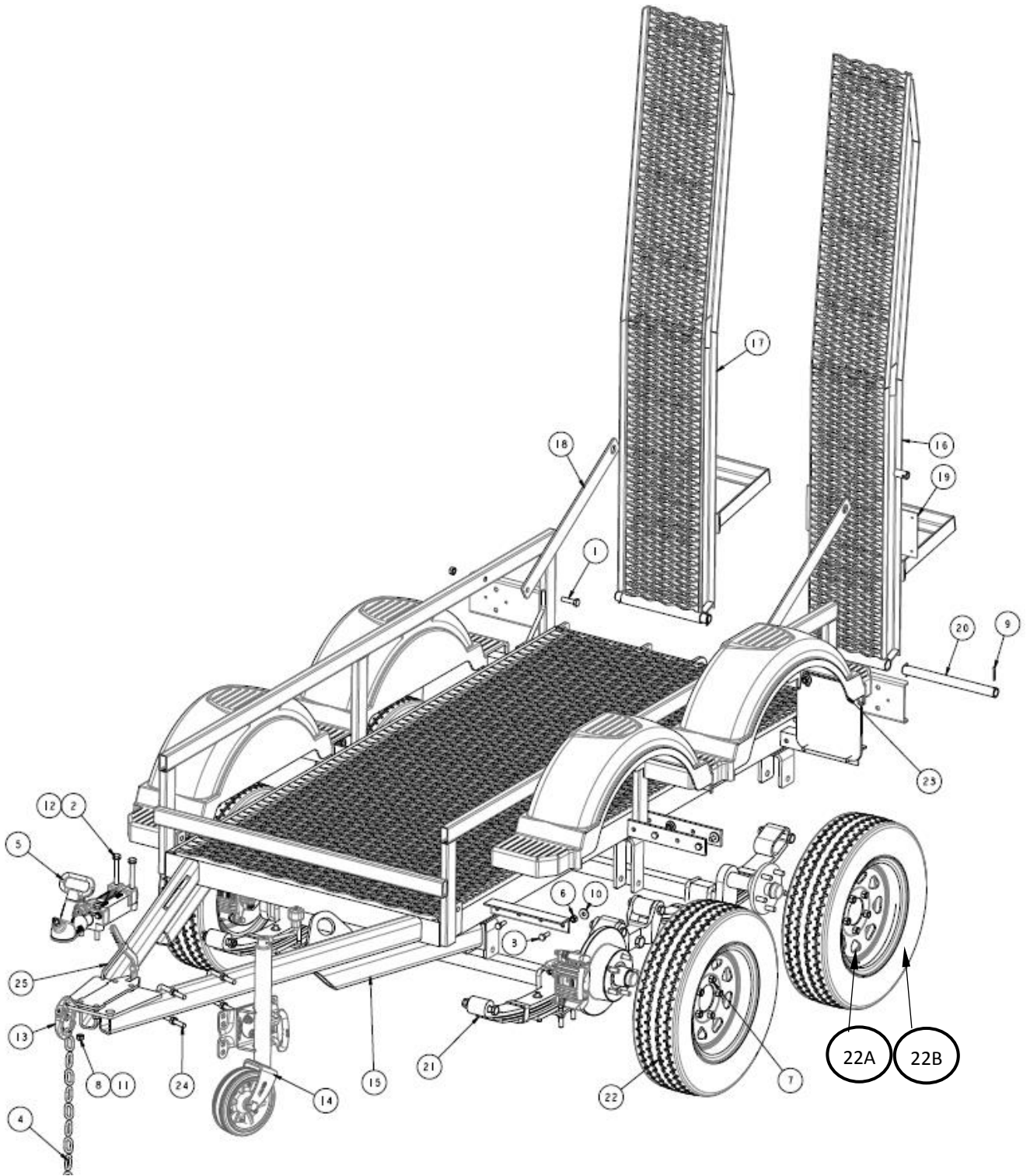
An Oshkosh Corporation Company

TSL2000

SECTION 5 – ILLUSTRATED PARTS MANUAL

5.1	Trailer Assembly.....	5-3
5.2	Suspension, Axles & Brake System.....	5-5
5.3	Decals and Miscellaneous Parts.....	5-7
5.4	Chocks, Tie-Downs, Spare Wheel	5-8

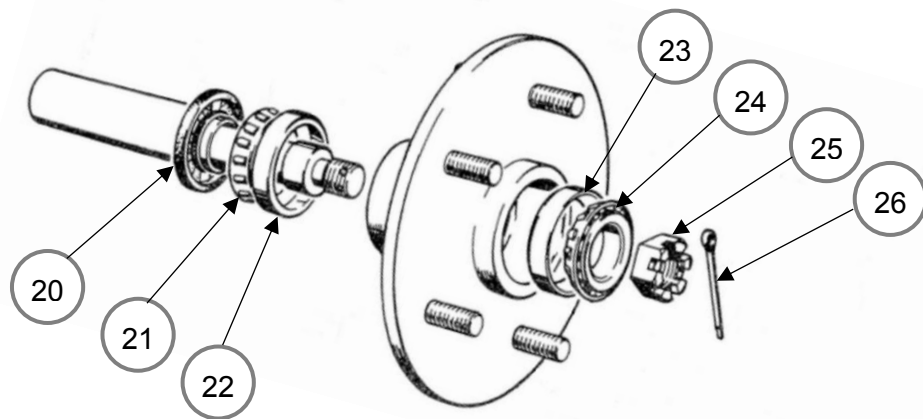
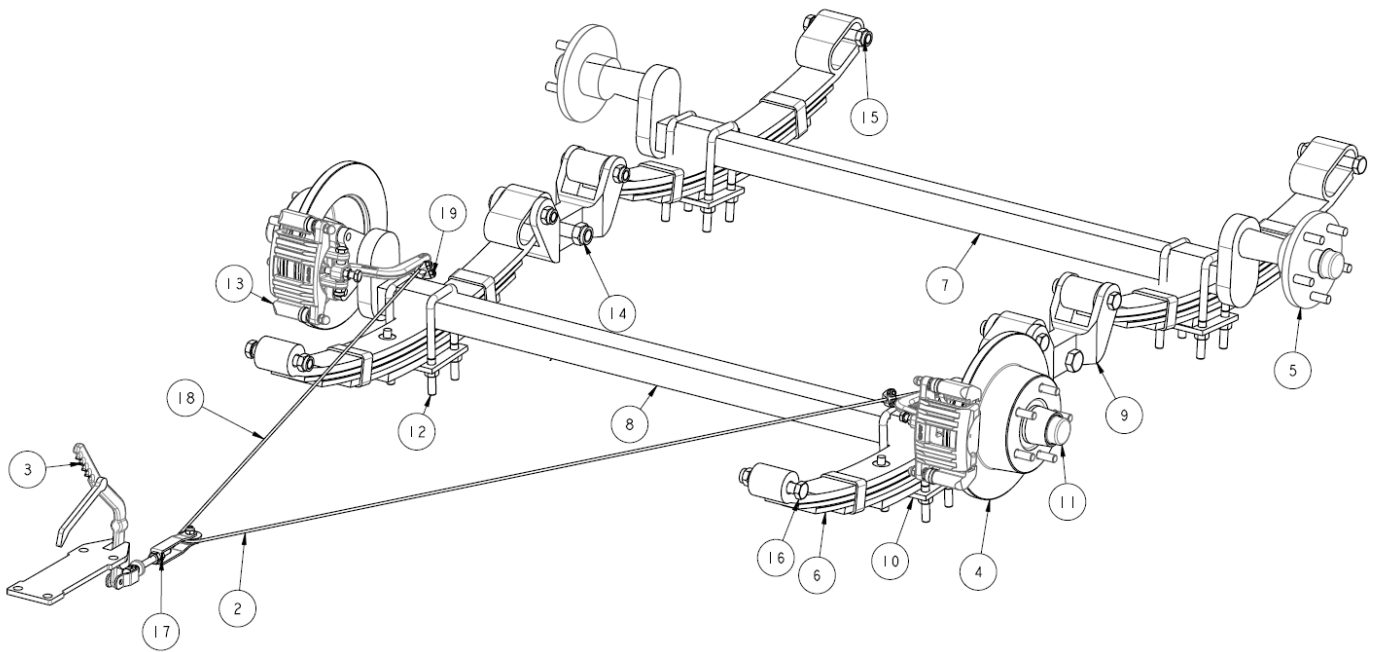
TRAILER ASSEMBLY



TSL2000

ITEM	PART NO.	DESCRIPTION	QTY
1	0711217	HEX HEAD SCREW, M12 X 45 CLASS 8.8 – ISO 4017	2
2	0711227	HEX HEAD BOLT, M12 X 100 CLASS 10.9 – ISO 4014	4
3	0761014	HEX HEAD SCREW, M10 X 30 CLASS 8.8 – ISO 4017	16
4	1730753	SAFETY CHAIN, TRAILER 3.2 tonne WLL (Grade 80)	0.75 m
5	1001239302	COUPLING, 50MM O/RIDE 2500 KG	1
6	3291005	HEX NYLOC NUT, M10 X 1.5 DIN 985	16
7	1730886	WHEEL, NUT 1/2" UNF Z/P - 6308A	20
8	3331215	HEX NYLOC NUT, M12 X 1.75 CLASS 10 DIN 985	6
9	3450508	SPLIT PIN, DIAMETER .15" X 2" ANSI B18.8.1	4
10	4812002	BROAD FLAT WASHER, M10	16
11	4812100	FLAT WASHER, M12 HARDENED	4
12	4832100	SPRNG WASHER, M12 DIN 127	6
13	1001204723	CONNECTING LINK, CHAIN 3.2 tonne WLL (Grade 80)	1
14	1001217920	WHEEL, ALKO 8" JOCKEY	1
15	1001231891	FRAME, TSL2000 GALVANISED	1
15A	1001233938	FRAME, TSL2000 PAINTED	1
16	1001231916	RAMP, TSL2000 LH GALVANISED	1
16A	1001233929	RAMP, TSL2000 LH PAINTED	1
17	1001231917	RAMP, TSL2000 RH GALVANISED	1
17A	1001233930	RAMP, TSL2000 RH PAINTED	1
18	1001231937	PLATE, RAMP LOCK POSITION GALVANISED	2
18A	1001233932	PLATE, RAMP LOCK PAINTED	2
19	1001231938	PLATE, NUMBER PLATE MOUNT GALVANISED	1
19A	1001233933	PLATE, NUMBER PLATE MOUNT PAINTED	1
20	1001231939	TUBE, TSL2000 RAMP HINGE	2
21	1001232105	AXLE, KIT TANDEM (2000 kg LOAD RATING)	1
22	1001232106	WHEEL, 13" TYRE 175R13C COMPLETE ASSEMBLY	4
22A	1001238922	WHEEL, RIM 13X4.5 WHITE RANGER	4
22B	1001238923	TIRE, 175R13C 8PR 97/95R 730 KG	4
23	1001232107	MUDGUARD, 13" WHEEL MOULDED	4
24	1001232268	U-BOLT & NUTS, M12 X 77 X 110 MGSUBN	2
25	1001233242	LEVER, HAND BRAKE ASSY	1

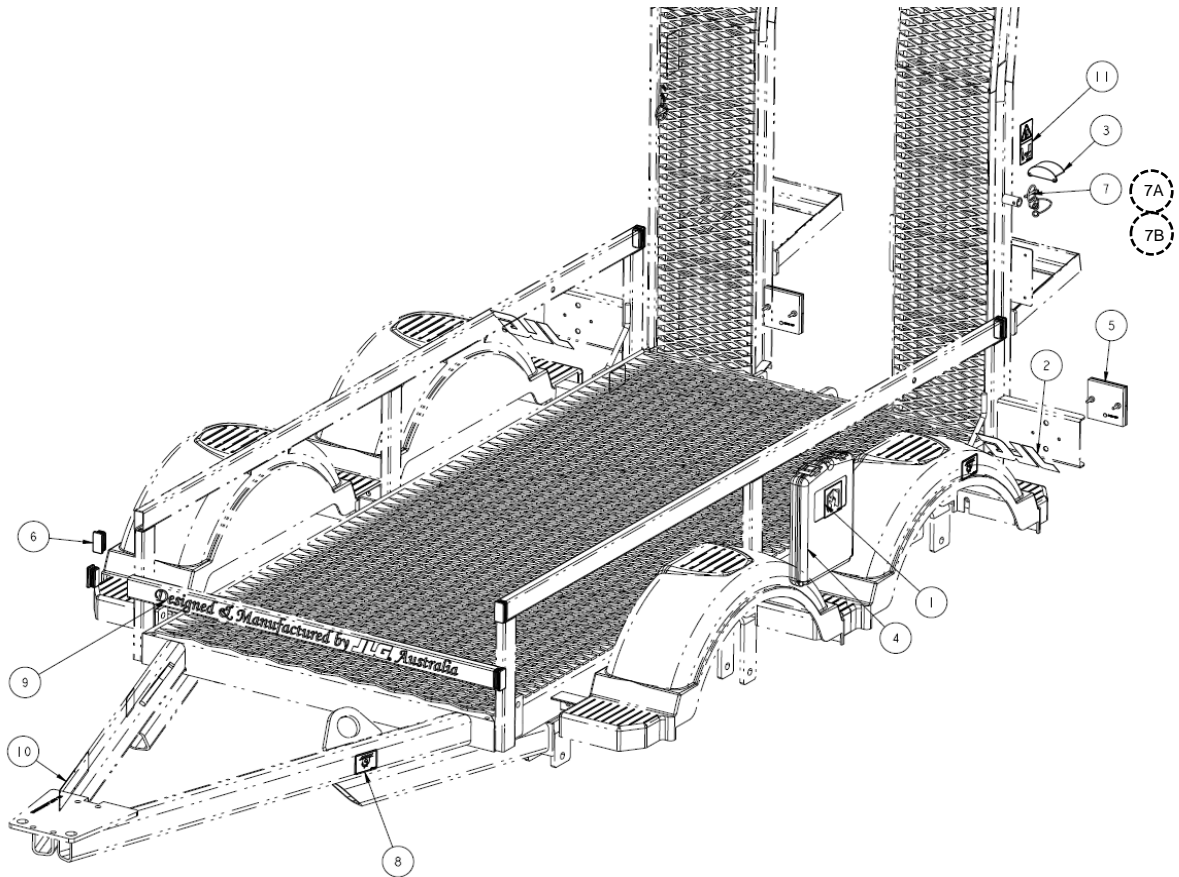
SUSPENSION, AXLES & BRAKE SYSTEM



TSL2000

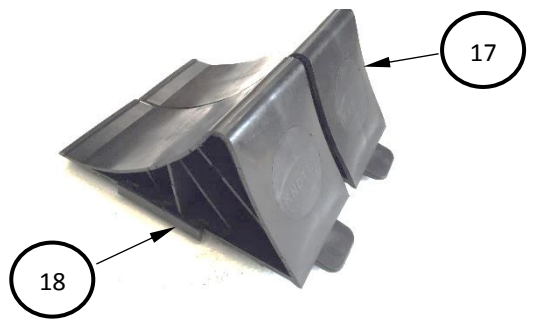
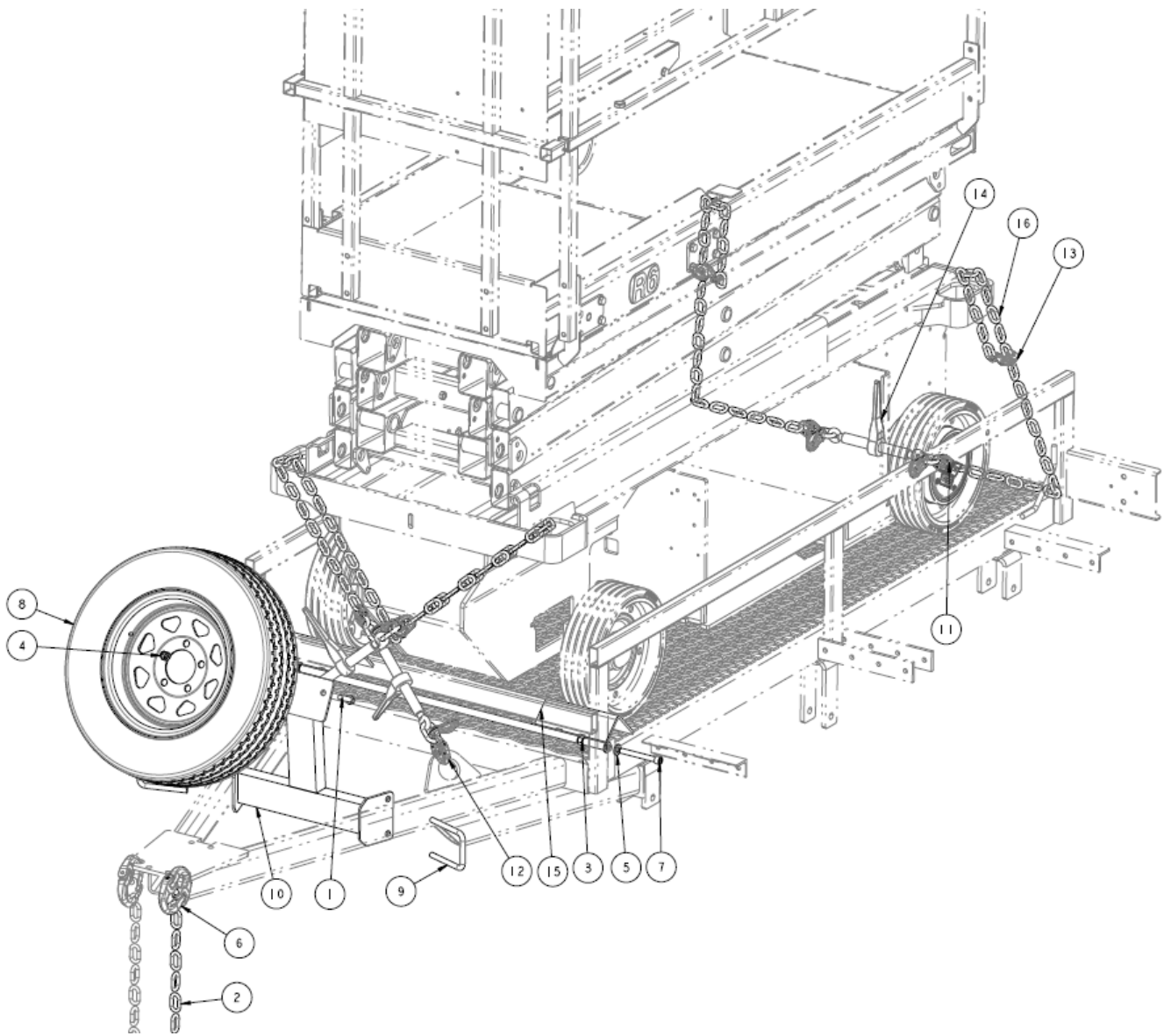
ITEM	PART NO.	DESCRIPTION	QTY
-	1001232105	AXLE & SUSPENSION, KIT TANDEM (2000 kg LOAD RATING)	1
2	1001233084	KIT, TRAILER BRAKE CABLE	1
3	1001233242	LEVER, ASSEMBLY HAND BRAKE	1
4	1001234490	HUB, DISC 10" MECHANICAL FORD BRAKED	2
5	1001234492	HUB, 5/114.3 A TYPE NON-BRAKED	2
6	1001234493	SPRING SET, TANDEM 14" WHEELS 5-LEAF	4
7	1001234494	AXLE BEAM, 40 mm SQUARE REAR	1
8	1001234495	AXLE BEAM, 40 mm SQUARE FRONT	1
9	1001234496	LINK, TSL2000 SUSPENSION ROCKER	2
10	1001234497	FISH PLATE, TSL2000 AXLE/SUSPENSION	4
11	1001234498	DUST CAP, TSL2000 AXLE HUB	4
12	1001234499	U-BOLT, 1/2"UNC SUSPENSION/AXLE (C/W WASHERS AND NUTS)	8
13	1001234500	BRAKE, 10" MECHANICAL DISC CALLIPER	2
14	1001234501	PIN, 3/4" UNF ROCKER PIVOT (C/W NUT AND GREASE NIPPLE)	2
15	1001234502	PIN, 5/8" UNF PIVOT (C/W NUT & GREASE NIPPLE)	4
16	1001234503	PIN, 5/8" ROLLER SHACKLE SUSPENSION	4
17	1001211465	CONTROL, BRAKE CABLE ADJUSTER	1
18	1001211467	CABLE, BRAKE 4 mm	8 m
19	1001211466	CLIP, BRAKE CABLE 5mm	2
20	1730920	WHEEL BEARING SEAL	4
21	83683719	BEARING, CONE INNER LM 67048	4
22	83683710	BEARING, CUP INNER LM 67010	4
23	1001235020	BEARING, CONE OUTER LM 11949	4
24	1001235021	BEARING, CUP OUTER LM 11910	4
25	1001235022	NUT-SPEC, SLOTTED 3/4" UNF	4
26	3391410	SPLIT PIN, DIAMETER 4 X 32 ISO1234	4
27	1001235019	BRAKE, PAD SET MECHANICAL DISC (NOT SHOWN)	4
28	1001237146	ROLLER, LEAF SPRING HARDENED (NOT SHOWN)	4
29	1001237147	BUSH, ROCKER ARM 3/4" STEEL (NOT SHOWN)	2
30	1001237148	BUSH, ROCKER ARM 5/8" BRONZE (NOT SHOWN)	2

DECALS AND MISCELLANEOUS PARTS



ITEM	PART NO.	DESCRIPTION	QTY
1	1701640	DECAL, INSTRUCTION MANUAL	1
2	1705781	DECAL, JLG LOGO 3"	2
3	1733754	LAMP, LED LICENCE PLATE	1
4	8990147	HOLDER, INSTRUCTION MANUAL	1
5	1001214200	LAMP, TAIL LIGHT MULTI 12/24V	2
6	1001232666	CAP, PLASTIC 50 mm x 25 mm	6
7	1001232885	PIN, LYNCH & LANYARD CABLE ASSEMBLY	2
7A	1001232884	PIN, LYNCH 4.5 mm x 40 mm	A/R
7B	1060379	CABLE, LANYARD 150 mm	A/R
8	1702300	DECAL, TIE DOWN (FOR PAINTED FRAME)	4
8A	1001233141	DECAL, TIE DOWN (FOR GALVANISED FRAME)	4
9	1001233162	DECAL, DESIGN & MANUFACTURING	1
10	1001233480	PLATE, TRAILER VIN	1
11	1001236173	DECAL, CRUSH HAZARD WARNING	2
12	1001172072	HARNESS, TAIL LIGHT PN 5C430 (NOT SHOWN)	1
13	1001172073	HARNESS, TAIL LIGHT PN 4C110 (NOT SHOWN)	1

CHOCKS, TIE-DOWNS, SPARE WHEEL



TSL2000

ITEM	PART NO.	DESCRIPTION	QTY
1	0651808	HEX HEAD SCREW, 1/2" UNF SAE GRADE 5	2
2	1730753	CHAIN, TRAILER SAFTEY	0.75 m
3	3291205	HEX NYLOC NUT, M12 X 1.75 CLASS 10 DIN 985	2
4	1730886	WHEEL, NUT 1/2" UNF Z/P - 6308A	2
5	5241200	WASHER, M12 HARDENED	4
6	1001204723	CONNECTING LINK, 3.2 tonne WLL CHAIN	1
7	1001212780	SOCKET HEAD CAPSCREW, M12 X 100 CLASS 12.9 DIN 912	2
8	1001232106	WHEEL, 13" TYRE 175R13C	1
9	1001232268	U-BOLT & NUTS, M12 X 77 X 110 MGSUBN	2
10	1001232270	BRACKET, ASSY SPARE WHEEL MOUNT (GALVANISED)	1
10A	1001233931	BRACKET, ASSY SPARE WHEEL (PAINTED)	1
11	1001232275	LINK, CONNECTING CHAIN (6 mm)	4
12	1001232276	LINK, CONNECTING CHAIN (8 mm)	2
13	1001232277	HOOK, GRAB PIN FOR CHAIN (6 mm)	2
14	1001232278	TURNBUCKLE, RATCHET CHAIN (6 mm)	3
15	1001233053	DECK CHOCK, TSL2000 (GALVANISED)	1
15A	1001233934	DECK CHOCK, TSL2000 (PAINTED)	1
16	1001232274	CHAIN, TRAILER LINK (6 mm)	4.2 m
17	1001211018	BRACKET, WHEEL CHOCK	2
18	1001211017	CHOCK, TRAILER WHEEL	2