



# Illustrated Parts Manual

***Model  
R2632***

**PVC  
2204**

**P/N  
31220322**

**February 1, 2023 - Rev C**

**ANSI**

**CE**



**UK  
CA**

**AS/NZS**



An Oshkosh Corporation Company



## **REVISION LOG**

April 4, 2022 - A - Original Issue of Manual (1001370000 Rev X & 1001246082 Rev B)

October 10, 2022 - B - Revised Manual (Edited to 1001370000 Rev Y, 1001246082 Rev B  
& 1001284953 Rev A)

February 1, 2023 - C - Revised Manual (Edited to 1001370000 Rev AD, 1001246082 Rev B  
& 1001284953 Rev A)

# GENERAL INFORMATION



## 1) MACHINE IDENTIFICATION

Machines are identified by model and in some cases a combination of models, serial number (SN) or regional standard (i.e ANSI, CE, CSA). Components may also be identified by SN or manufacturer. Common components that may be identified by these characteristics are engines and hydraulic components.

## 2) PARTS MANUAL ORGANIZATION

Product information in this manual is organized under section titles. Frame, Cylinder, Hydraulic and Electrical are a few examples. Each section is organized by figure and page number. The information within the Figure is then organized by item number, part number, description and corresponding illustration (s).

## 3) TABLE OF CONTENTS (NOT SHOWN)

A table of contents is found toward the beginning of the manual. Figure number, description and page number are provided for quick reference to the page containing the related information.

## 4) RECOMMENDED SPARE PARTS (NOT SHOWN)

The Recommended Spare Parts List, located near the end of the manual, reference most frequently used maintenance parts.

## 5) PART NUMBER INDEX (NOT SHOWN)

A numerical index listing all part numbers and the corresponding page number(s) appears at the back of the manual.

## GENERAL INFORMATION

### 6) NON-SERVICED PARTS

In some instances, it is necessary to display non-serviced parts, assemblies or installations. In the case of assemblies and installations there will be a Ref in the Qty. column. In case of parts that are not available for service within assemblies or components, there will be a NSS (Not Sold Separately) or NLA (No Longer Available) listed in the Qty. column of the manual.

### 7) PARTS LIST ITEM NUMBERS

Numbers shown in the item# column correspond to numbers used in the associated illustration (s). Item numbers which are missing from the sequence in the parts list are not used on that page.

### 8) INDENTED PARTS DESCRIPTION

An indented part description is included in the item under which it is indented.

### 9) ABBREVIATION AND SYMBOLS

AC.....	Alternating Current	L.....	Liter
ADE.....	Advanced Design Electronics	LB(LBS).....	Pounds
AG.....	Agricultural	LCD.....	Liquid Crystal Display
ANSI.....	American National Standards Institute	LED.....	Light Emitting Diodes
AR.....	As Required	LH.....	Left Hand
ASSY.....	Assembly	LRC.....	Low Rated Countries
AUS.....	Australia	LSS.....	Load Sensing System
AUX.....	Auxiliary	M(m).....	Metric/Meter
AWG.....	American Wire Gauge	MM(mm).....	Milimeter
B/M.....	Bill of Material	mA.....	Miliamps
CAC.....	Charge Air Cooler	NLA.....	No Longer Available
CE.....	European Conformity	NPT.....	National Pipe Threads
CCW.....	Counter Clockwise	NSS.....	Not Sold Separately
CM.....	Centimeter	OD.....	Outside Diameter
CW.....	Clockwise	ORB.....	O-Ring Boss
CSA.....	Canadian Standards Association	ORFS.....	O-Ring Face Seal
CYL.....	Cylinder	OZ (oz).....	Ounces
DIA.....	Diameter	PG.....	Page
DC.....	Direct Current	PN.....	Part Number
DEF.....	Diesel Exhaust Fluid	QT(qt.).....	Quarts
EMS.....	Emergency Stop	QTY.....	Quantity
ENG.....	Engine	REF.....	Reference
FT(ft).....	Feet	REV.....	Revision Level
GA(Ga).....	Gauge	RH.....	Right Hand
HRC.....	High Rated Countries	SAE.....	Society of Automotive Engineers
HVAC.....	Heating, Ventilating, and Air Conditioning	SN.....	Serial Number
HYD.....	Hydraulic	SPEC(S).....	Specifications
Hz.....	Hertz	T/T.....	Turntable
ID.....	Inside Diameter	UGM.....	Universal Ground Module
IN.....	inches	V.....	Volts
ISO.....	International Organization for Standards	W.....	Watts
JIC.....	Joint Industry Council	#.....	Number
KG.....	Kilogram		

### 10) ILLUSTRATION REFERENCE LETTERS

When necessary, illustrations may contain reference letters that are intended to track information (i. e. hoses, harnesses) from one point to another or to track visual enlargement of components to show details that may be located in another area on the illustration.

*Note: Due to continuous product improvements, JLG Industries, Inc. reserves the right to make specification changes without prior notification. Contact JLG Industries, Inc. for updated information.*



# TABLE OF CONTENTS

SECTION 1 - FRAME.....	11
FIGURE 1-1. STEER INSTALLATION .....	12
FIGURE 1-2. DRIVE/BRAKE INSTALLATION .....	14
FIGURE 1-3. DRIVE MOTOR ASSEMBLY .....	16
FIGURE 1-4. POTHOLE PROTECTION SYSTEM INSTALLATION .....	18
FIGURE 1-5. TILT SENSOR INSTALLATION .....	20
FIGURE 1-6. BATTERY CHARGER INSTALLATION - DELTA-Q (WITHOUT CAN) .....	22
FIGURE 1-7. BATTERY CHARGER INSTALLATION - DELTA-Q (WITH CAN) .....	24
FIGURE 1-8. BATTERY CHARGER INSTALLATION - EAGLE PERFORMANCE .....	26
FIGURE 1-9. BATTERY CHARGER INSTALLATION - GREEN POWER .....	28
FIGURE 1-10. STROBE LIGHT INSTALLATION - SINGLE (AMBER) (WITH GUARD) .....	30
FIGURE 1-11. STROBE LIGHT INSTALLATION - DUAL (AMBER) (WITH GUARD) .....	32
FIGURE 1-12. ALARM INSTALLATION (AMBIENT/WHITE NOISE) .....	34
FIGURE 1-13. LADDER INSTALLATION.....	36
FIGURE 1-14. FRAME COVERS INSTALLATION.....	38
SECTION 2 - GROUND CONTROLS .....	41
FIGURE 2-1. HYDRAULIC COMPONENTS INSTALLATION (WITH CONCENTRIC MOTOR/PUMP) .....	42
FIGURE 2-2. HYDRAULIC COMPONENTS INSTALLATION (WITH BUCHER PUMP/MOTOR) .....	44
FIGURE 2-3. HYDRAULIC MOTOR/PUMP ASSEMBLY (BUCHER) .....	46
FIGURE 2-4. MAIN VALVE ASSEMBLY .....	48
FIGURE 2-5. ELECTRICAL COMPONENTS INSTALLATION (MACHINES WITH SN STARTING WITH 12, B2, G2 & M2) .....	50
FIGURE 2-6. ELECTRICAL COMPONENTS INSTALLATION - #1 (MACHINES WITH SN STARTING WITH 12, B2 & G2) .....	52
FIGURE 2-7. ELECTRICAL COMPONENTS INSTALLATION - #2 (MACHINES WITH SN STARTING WITH 12, B2 & G2) .....	54
FIGURE 2-8. ACCESS CONTROL KEYPAD INSTALLATION .....	56
FIGURE 2-9. MOBILE CONTROL INSTALLATION .....	58
FIGURE 2-10. MDI INSTALLATION .....	60
FIGURE 2-11. BATTERIES INSTALLATION - STANDARD 6V-250AH.....	62
FIGURE 2-12. BATTERIES INSTALLATION - STANDARD 6V-220AH.....	64
FIGURE 2-13. BATTERIES INSTALLATION - AGM 6V-220AH.....	66
FIGURE 2-14. BATTERIES INSTALLATION - AGM EVCG 6V-220AH.....	68
FIGURE 2-15. BATTERIES INSTALLATION - 6V-220AH (TROJAN).....	70
FIGURE 2-16. INVERTER INSTALLATION (OPTIONAL) .....	72
FIGURE 2-17. DOORS INSTALLATION .....	74
SECTION 3 - SCISSORS ARMS.....	77
FIGURE 3-1. SCISSORS ARMS INSTALLATION - WITH DANFOSS PRESSURE TRANSDUCERS (MACHINES WITH SN STARTING WITH 12, B2, M2 & G2) .....	78
FIGURE 3-2. SCISSORS ARMS INSTALLATION - WITH WIKA PRESSURE TRANSDUCERS (MACHINES WITH SN STARTING WITH M2) .....	82
FIGURE 3-3. ARM GUARDS INSTALLATION .....	86
SECTION 4 - PLATFORM .....	89
FIGURE 4-1. PLATFORM INSTALLATION .....	90
FIGURE 4-2. PLATFORM EXTENSION INSTALLATION.....	92
FIGURE 4-3. RAILS INSTALLATION (SIDE BY SIDE) .....	94
FIGURE 4-4. RAILS INSTALLATION (TUBE IN TUBE) .....	96
FIGURE 4-5. EXTENSION HANDLES INSTALLATION (OPTIONAL) .....	98
FIGURE 4-6. GATE LATCH INSTALLATION - OPTIONAL .....	100
FIGURE 4-7. PLATFORM CONSOLE INSTALLATION (ALL SPECS) .....	102
FIGURE 4-8. PLATFORM CONSOLE INSTALLATION (ALL SPECS) (FRONT MOUNTING) .....	104
FIGURE 4-9. DRIVE/STEER CONTROLLER ASSEMBLY .....	106
FIGURE 4-10. PIPE RACKS INSTALLATION (OPTIONAL) .....	108
FIGURE 4-11. OVERHEAD PROTECTION INSTALLATION (KOREAN SPECS) .....	110
FIGURE 4-12. WOKSTATION INSTALLATION (OPTIONAL) .....	112
FIGURE 4-13. ELECTRICIAN TREE INSTALLATION (OPTIONAL) .....	114
FIGURE 4-14. WORKLIGHTS INSTALLATION (OPTIONAL) .....	116
FIGURE 4-15. PANEL CARRIER INSTALLATION (OPTIONAL) .....	118
FIGURE 4-16. PLATFORM CONTROL PLUG INSTALLATION .....	120
FIGURE 4-17. USB/PHONE CRADLE INSTALLATION .....	122
SECTION 5 - CYLINDER.....	125

# TABLE OF CONTENTS

FIGURE 5-1. LIFT CYLINDER ASSEMBLY .....	126
FIGURE 5-2. STEER CYLINDER ASSEMBLY .....	128
<b>SECTION 6 - HYDRAULIC</b> .....	<b>131</b>
FIGURE 6-1. HYDRAULIC COMPONENTS INSTALLATION (WITH CONCENTRIC MOTOR/PUMP) .....	132
FIGURE 6-2. HYDRAULIC COMPONENTS INSTALLATION (WITH BUCHER PUMP/MOTOR) .....	134
<b>SECTION 7 - ELECTRICAL</b> .....	<b>137</b>
FIGURE 7-1. AC BOX AT PLATFORM INSTALLATION - 110V GFI (ALL SPECS EXCEPT AUSTRALIAN, CE & UK CA SPECS) .....	138
FIGURE 7-2. AC BOX AT PLATFORM INSTALLATION - 110V IEC YELLOW (CE & UK CA SPECS) .....	140
FIGURE 7-3. AC BOX AT PLATFORM INSTALLATION - 220V IEC BLUE (CE & UK CA SPECS) .....	142
FIGURE 7-4. AC BOX AT PLATFORM INSTALLATION - 220V CEE7 POST GROUND (CE & UK CA SPECS) .....	144
FIGURE 7-5. AC BOX AT PLATFORM INSTALLATION - 220V CEE7 SIDE GROUND (CE & UK CA SPECS) .....	146
FIGURE 7-6. AC BOX AT PLATFORM INSTALLATION - 220V AFSINT 107 (CE & UK CA SPECS) .....	148
FIGURE 7-7. AC BOX AT PLATFORM INSTALLATION - 220V LOCALLY SUPPLIED .....	150
FIGURE 7-8. AC BOX AT PLATFORM INSTALLATION - 220V (AUSTRALIAN SPECS) .....	152
FIGURE 7-9. AC BOX AT PLATFORM INSTALLATION - 220V CHINA PLUG (CHINA SPECS) .....	154
FIGURE 7-10. BREAKER BOX KIT (AUSTRALIAN SPEC) .....	156
FIGURE 7-11. BREAKER BOX KIT WITH 1 DOUBLE BREAKER (CE & UK CA SPECS) .....	158
FIGURE 7-12. BREAKER BOX KIT WITH 3 BREAKERS (CE & UK CA SPECS) .....	160
FIGURE 7-13. CAN SPLICE HARNESS (CHARGER WITH COMMUNICATION PORT) .....	162
FIGURE 7-14. CHARGER HARNESS (CHARGER WITH COMMUNICATION PORT) .....	164
FIGURE 7-15. CHARGER HARNESS (CHARGER WITH COMMUNICATION PORT) .....	166
FIGURE 7-16. CHARGER PLUG INSTALLATION (NO PLUG) .....	168
FIGURE 7-17. CHARGER PLUG INSTALLATION (110V PLUG) .....	170
FIGURE 7-18. CHARGER PLUG INSTALLATION (KOREAN PLUG) .....	172
FIGURE 7-19. CHARGER PLUG INSTALLATION (CEE7 PLUG) .....	174
FIGURE 7-20. CHARGER PLUG INSTALLATION (AFSINT 107 PLUG) .....	176
FIGURE 7-21. CHARGER PLUG INSTALLATION (IEC YELLOW PLUG) .....	178
FIGURE 7-22. CHARGER PLUG INSTALLATION (IEC BLUE PLUG) .....	180
FIGURE 7-23. CHARGER PLUG INSTALLATION (CHINA PLUG) .....	182
FIGURE 7-24. CHARGER PLUG INSTALLATION (AUSTRALIAN PLUG) .....	184
FIGURE 7-25. CHASSIS HARNESS .....	186
FIGURE 7-26. GROUND TO PLATFORM CABLE INSTALLATION - WITHOUT PLATFORM COIL CABLE (MACHINES WITH SN STARTING WITH 12, B2 & G2) .....	190
FIGURE 7-27. GROUND TO PLATFORM CABLE INSTALLATION - WITHOUT PLATFORM COIL CABLE & WITH FOOTSWITCH (MACHINES WITH SN STARTING WITH 12, B2 & G2) .....	192
FIGURE 7-28. GROUND TO PLATFORM CABLE INSTALLATION - WITH PLATFORM COIL CABLE (MACHINES WITH SN STARTING WITH 12, B2 & G2) .....	194
FIGURE 7-29. GROUND TO PLATFORM CABLE INSTALLATION - WITH PLATFORM COIL CABLE & FOOTSWITCH (MACHINES WITH SN STARTING WITH 12, B2 & G2) .....	196
FIGURE 7-30. GROUND TO PLATFORM CABLE INSTALLATION - PLATFORM STRAIGHT CABLE ONLY (MACHINES WITH SN STARTING WITH 12, B2, G2 & M2) .....	198
FIGURE 7-31. GROUND TO PLATFORM CABLE INSTALLATION - PLATFORM COIL CABLE ONLY (MACHINES WITH SN STARTING WITH 12, B2, G2 & M2) .....	200
FIGURE 7-32. GROUND TO PLATFORM CABLE INSTALLATION - SCISSORS ARMS CABLE ONLY (MACHINES WITH SN STARTING WITH 12, B2, G2 & M2) .....	202
FIGURE 7-33. LIFT DOWN HARNESS .....	204
FIGURE 7-34. JUMPER HARNESS TO LIFT DOWN .....	206
FIGURE 7-35. PLATFORM CONTROL BOX HARNESS .....	208
FIGURE 7-36. RECEPTACLE BOX KIT - 110V GFI .....	210
FIGURE 7-37. RECEPTACLE BOX KIT - 110V IEC YELLOW (CE & UK CA SPEC) .....	212
FIGURE 7-38. RECEPTACLE BOX KIT - 220V AFSINT 107 (CE & UK CA SPEC) .....	214
FIGURE 7-39. RECEPTACLE BOX KIT - 220V CEE7 POST GROUND (CE & UK CA SPEC) .....	216
FIGURE 7-40. RECEPTACLE BOX KIT - 220V CEE7 SIDE GROUND (CE & UK CA SPEC) .....	218
FIGURE 7-41. RECEPTACLE BOX KIT - 220V IEC BLUE (CE & UK CA SPEC) .....	220
<b>SECTION 8 - DECALS</b> .....	<b>223</b>
FIGURE 8-1. DECAL INSTALLATION (ANSI SPECS) .....	224
FIGURE 8-2. DECAL INSTALLATION (AUSTRALIAN SPECS) .....	226
FIGURE 8-3. DECAL INSTALLATION (BRAZIL SPECS) .....	228
FIGURE 8-4. DECAL INSTALLATION (CE & UK CA SPECS) .....	230
FIGURE 8-5. DECAL INSTALLATION (CHINA SPECS) .....	232



# TABLE OF CONTENTS

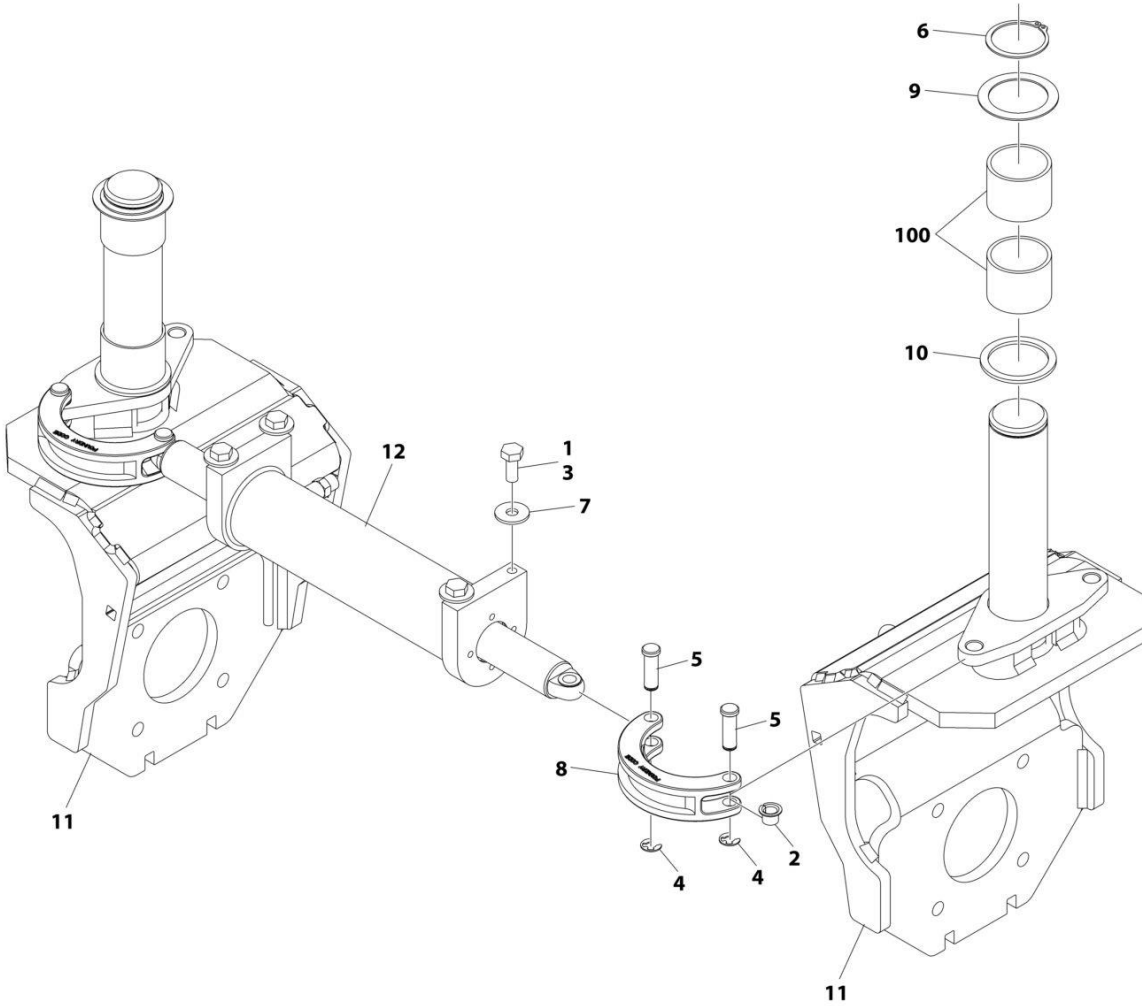
FIGURE 8-6. DECAL INSTALLATION (CSA SPECS) .....	234
FIGURE 8-7. DECAL INSTALLATION (KOREAN SPECS) .....	236
FIGURE 8-8. DECAL INSTALLATION (LATIN AMERICAN SPECS) .....	238
FIGURE 8-9. DECAL INSTALLATIONS - OPTIONS.....	240
SECTION 9 - RECOMMENDED SERVICE PARTS STOCK.....	243
FIGURE 9-1. RECOMMENDED SERVICE PARTS STOCK .....	244
SECTION 10 - SPECIAL OPTIONS .....	245
FIGURE 10-1. SPECIAL OPTIONS.....	246
PART NUMBER INDEX .....	249



**SECTION 1 - FRAME**

# SECTION 1 - FRAME

## FIGURE 1-1. STEER INSTALLATION



ART\_1001237696

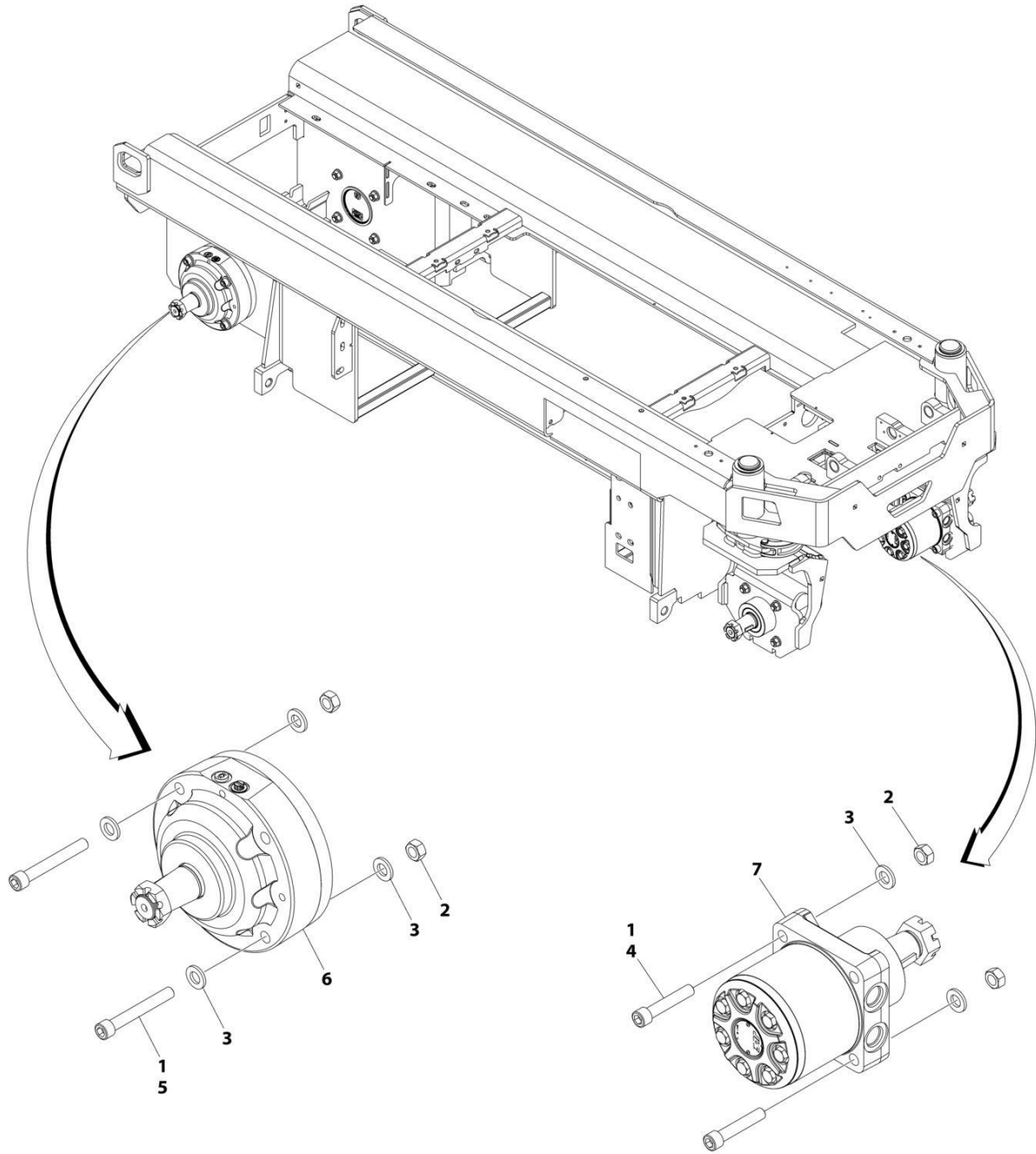
# SECTION 1 - FRAME

## FIGURE 1-1. STEER INSTALLATION

ITEM	PART NUMBER	QTY	DESCRIPTION	REV
	1001237696	Ref	STEER INSTALLATION	A
1	0100011	AR	Compound, Locking	
2	0440259	2	Bearing	
3	0761012	4	Bolt M10 x 25	
4	1380153	4	Clip	
5	3423037	4	Pin	
6	3760217	2	Ring, Retaining	
7	4812000	4	Washer M10	
8	4846757	2	Lug, Steering	
9	1001197396	2	Washer	
10	1001205751	2	Washer	
11	1001234838	2	Spindle	
12	1001179447	1	Steer Cylinder Assembly (See Separate Breakdown in CYLINDER SECTION)	
100	1001153785	4	Bearing (Part of Frame)	

# SECTION 1 - FRAME

## FIGURE 1-2. DRIVE/BRAKE INSTALLATION



ART\_1001244284

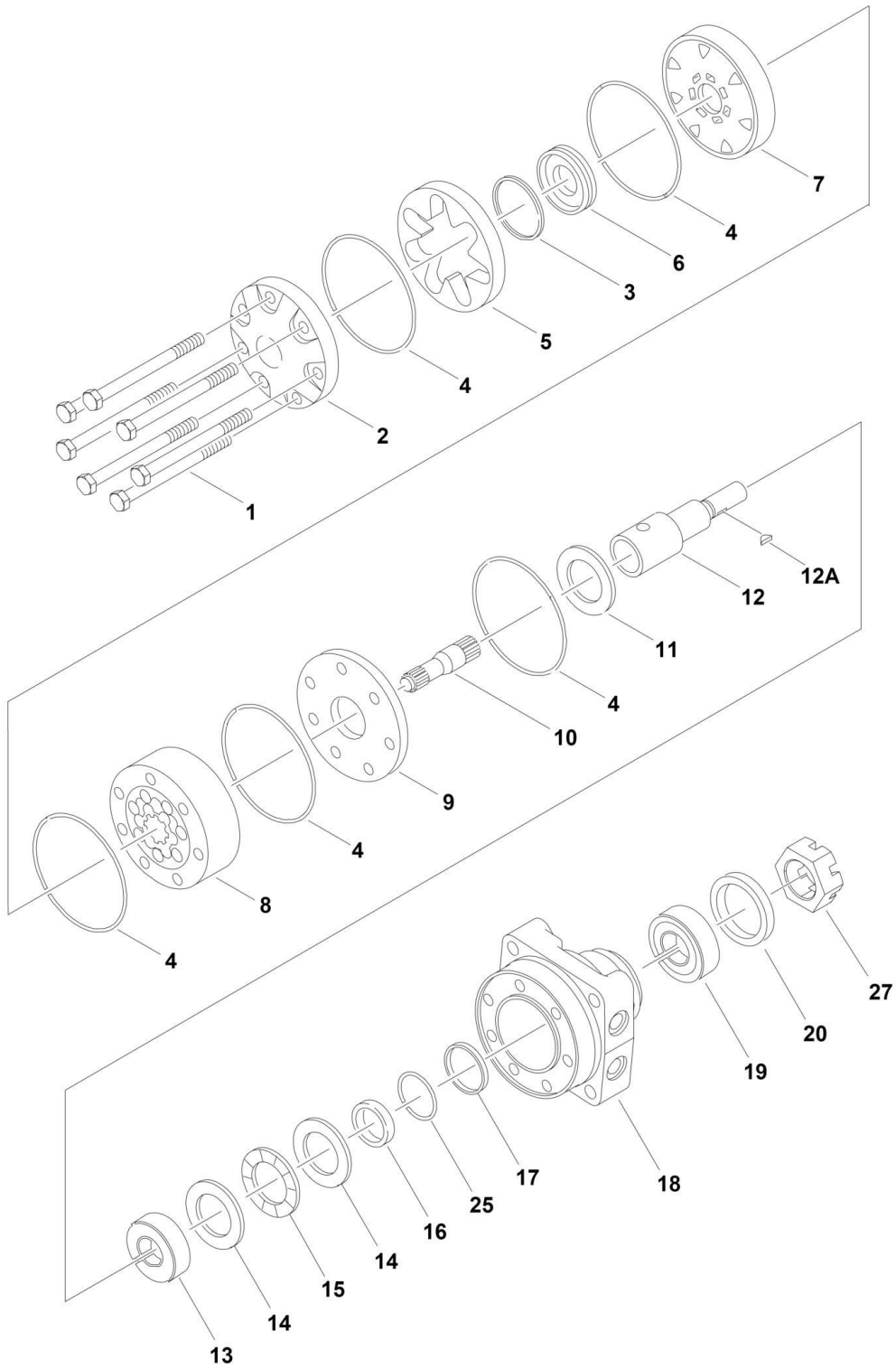
# SECTION 1 - FRAME

## FIGURE 1-2. DRIVE/BRAKE INSTALLATION

ITEM	PART NUMBER	QTY	DESCRIPTION	REV
	1001244284	Ref	DRIVE/BRAKE INSTALLATION	A
1	0100011	AR	Compound, Locking	
2	3331211	16	Nut M12	
3	5241200	24	Washer M12	
4	5272117	8	Capscrew M12 x 65	
5	5272122	8	Capscrew M12 x 90	
6	1001202773	2	Drive Brake Assembly (Note: No Internal Service Parts Available.)	
6	70005918	1	Key, Shaft	
6	70005919	1	Nut 1-1/8	
7	1001213264	2	Drive Motor Assembly (See Separate Breakdown in this Section)	

# SECTION 1 - FRAME

## FIGURE 1-3. DRIVE MOTOR ASSEMBLY



ART\_1001213264



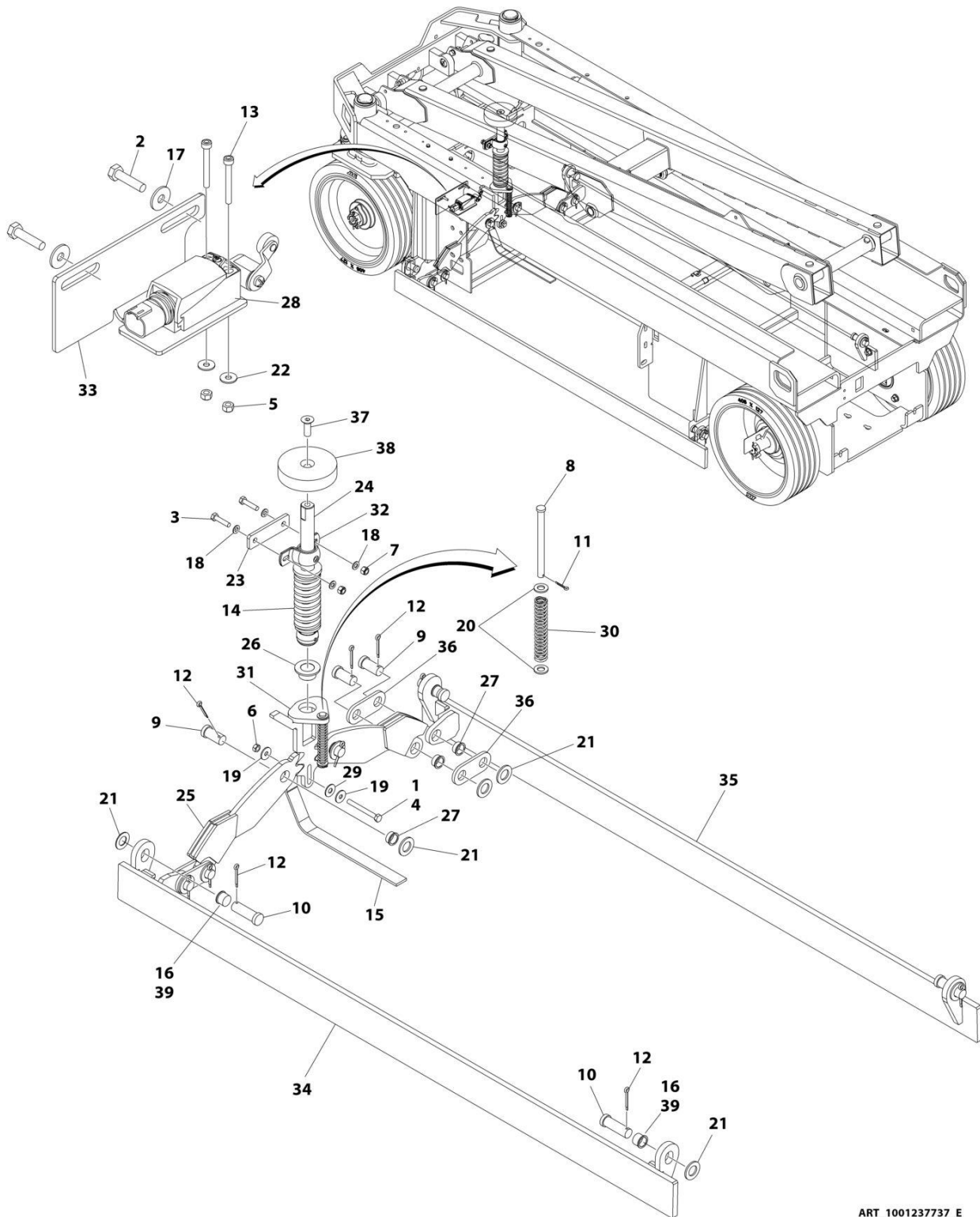
# SECTION 1 - FRAME

## FIGURE 1-3. DRIVE MOTOR ASSEMBLY

ITEM	PART NUMBER	QTY	DESCRIPTION	REV
	1001213264	Ref	DRIVE MOTOR ASSEMBLY	B
1	7023329	7	Bolt	
2	7023328	1	Cover	
3	7023318	1	Seal, Commutator	
4	7023310	5	Ring, Seal	
5	7023315	1	Commutator (Includes Item 6)	
6	See Note	NSS	Ring, Commutator (Use p/n 7023315)	
7	70005812	1	Manifold	
8	70006245	1	Rotor Set	
9	7023311	1	Plate, Wear	
10	70006244	1	Link, Drive	
11	7023308	1	Bearing, Thrust	
12	70005813	1	Shaft	
12A	7023324	1	Key, Shaft (Supplied with Shaft)	
12A	7026179	1	Key, Shaft (Supplied Individually)	
13	7026174	1	Bearing, Inner	
14	70006724	2	Thrustwasher	
15	7023407	1	Bearing, Thrust	
16	70006725	1	Seal	
17	7023321	1	Washer, Backup	
18	See Note	NSS	Housing (Note: Use p/n 1001213264)	
19	7023408	1	Bearing, Outer	
20	70007513	1	Seal, Dirt and Water	
25	7023322	1	Washer, Backup	
27	70005807	1	Nut	

# SECTION 1 - FRAME

## FIGURE 1-4. POTHOLE PROTECTION SYSTEM INSTALLATION



ART\_1001237737\_E

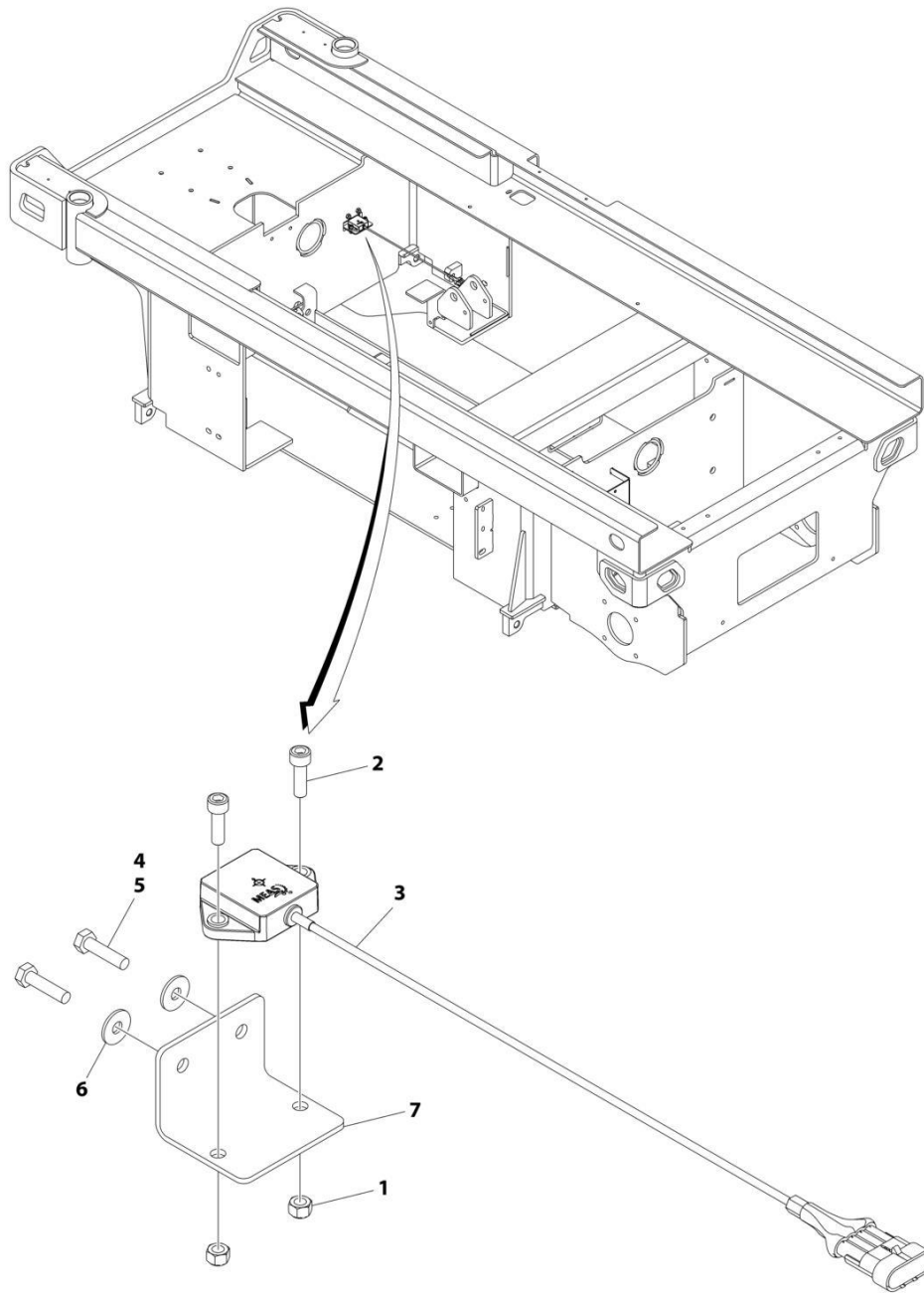
# SECTION 1 - FRAME

## FIGURE 1-4. POTHOLE PROTECTION SYSTEM INSTALLATION

ITEM	PART NUMBER	QTY	DESCRIPTION	REV
	1001237737	Ref	POTHOLE PROTECTION SYSTEM INSTALLATION	E
1	0100011	AR	Compound, Locking	
2	0700612	2	Bolt M6 x 25	
3	0700815	2	Bolt M8 x 35	
4	0700823	1	Bolt M8 x 75	
5	3290405	2	Nut M4	
6	3290801	1	Nut M8	
7	3290805	2	Nut M8	
8	3430636	1	Pin	
9	3431212	6	Pin	
10	3431218	4	Pin	
11	3450302	1	Pin, Cotter 7/8 x 1/2	
12	3450505	10	Pin, Cotter 5/32 x 1/2	
13	4031511	2	Capscrew M4 x 35	
14	4160202	1	Spring	
15	4240147	1	Strap, Anti-Static	
16	4740086	NLA	Washer (Use Item 39)	
17	4811702	2	Washer M6	
18	4811900	4	Washer M8	
19	4811902	2	Washer M8	
20	4812000	2	Washer M10	
21	4812500	10	Washer M20	
22	1001091102	2	Washer M4	
23	1001202987	1	Plate, Mounting	
24	1001214528	1	Actuator (Upper)	
25	1001243781	2	Plate, Pinion	
26	1001203869	1	Bearing	
27	1001203870	6	Bearing	
28	1001203871	1	Switch, Limit	
29	1001203872	1	Washer 3/8	
30	1001227855	1	Spring	
31	1001214526	1	Actuator (Lower)	
32	1001215953	1	Bearing	
33	1001218307	1	Plate, Sensor Mounting	
34	1001234797	1	Bar (LH)	
35	1001234798	1	Bar (RH)	
36	1001236849	4	Link	
37	1001110302	1	Bolt M12 x 35	
38	1001214534	1	Pad, Actuator	
39	0440263	4	Bushing, Flange	

# SECTION 1 - FRAME

## FIGURE 1-5. TILT SENSOR INSTALLATION



ART\_1001214217

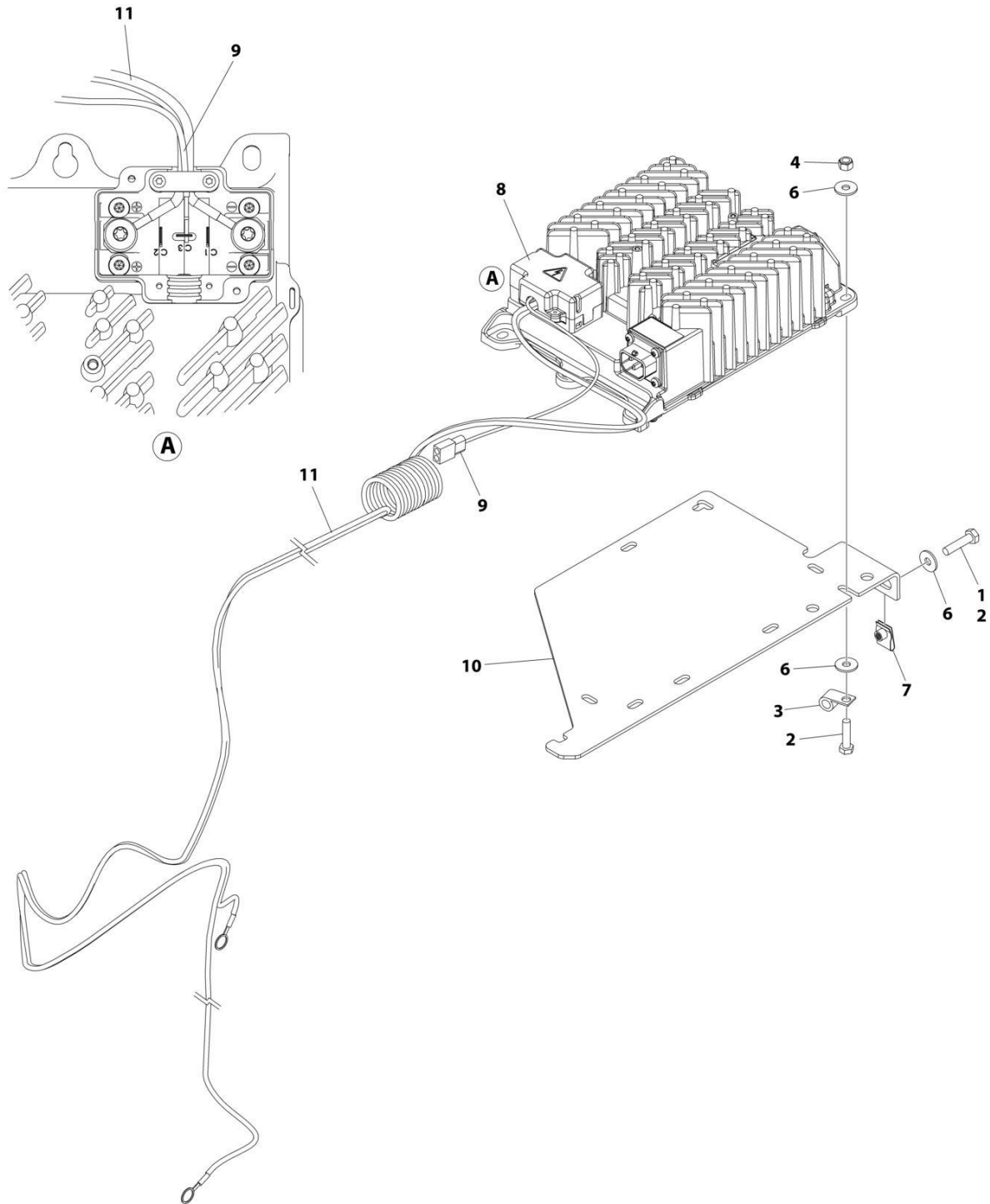
# SECTION 1 - FRAME

## FIGURE 1-5. TILT SENSOR INSTALLATION

ITEM	PART NUMBER	QTY	DESCRIPTION	REV
	1001214217	Ref	TILT SENSOR INSTALLATION	D
1	3290601	2	Nut M6	
2	4031708	2	Capscrew M6 x 20	
3	1001186466	1	Sensor, Tilt	
4	0100011	AR	Compound, Locking	
5	0700612	2	Bolt M6 x 25	
6	4811702	2	Washer M6	
7	1001217059	1	Plate, Mounting	

# SECTION 1 - FRAME

## FIGURE 1-6. BATTERY CHARGER INSTALLATION - DELTA-Q (WITHOUT CAN)



ART\_1001263256

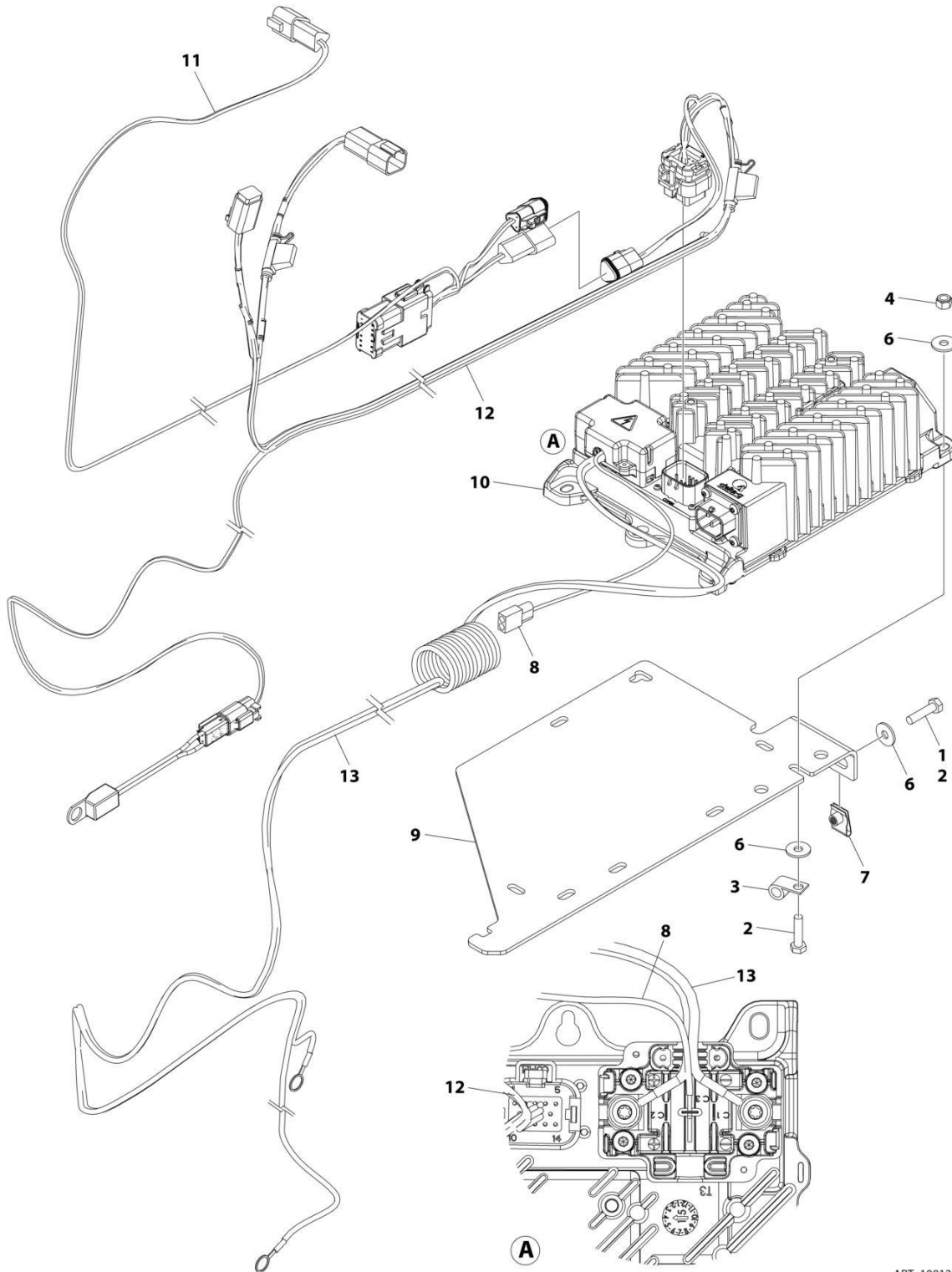
## SECTION 1 - FRAME

**FIGURE 1-6. BATTERY CHARGER INSTALLATION - DELTA-Q (WITHOUT CAN)**

ITEM	PART NUMBER	QTY	DESCRIPTION	REV
	1001263256	Ref	BATTERY CHARGER INSTALLATION - DELTA-Q	A
1	0100011	AR	Compound, Locking	
2	0760612	5	Bolt M6 x 25	
3	1321293	1	Clamp	
4	3290605	3	Nut M6	
5	4240017	AR	Tie-Strap (Not Shown)	
6	4811702	8	Washer M6	
7	1001130220	2	Nut, Tinnerman M6	
8	1001200561	1	Charger, Battery - Delta-Q	
9	1001207009	1	Charger Interlock Harness	
9	4460424	1	Receptacle, Female - 2 Position	
9	4460227	2	Pin, Male	
10	1001236139	1	Bracket	
11	1001256642	1	Charger DC Connection Harness	

# SECTION 1 - FRAME

## FIGURE 1-7. BATTERY CHARGER INSTALLATION - DELTA-Q (WITH CAN)



ART\_1001263257



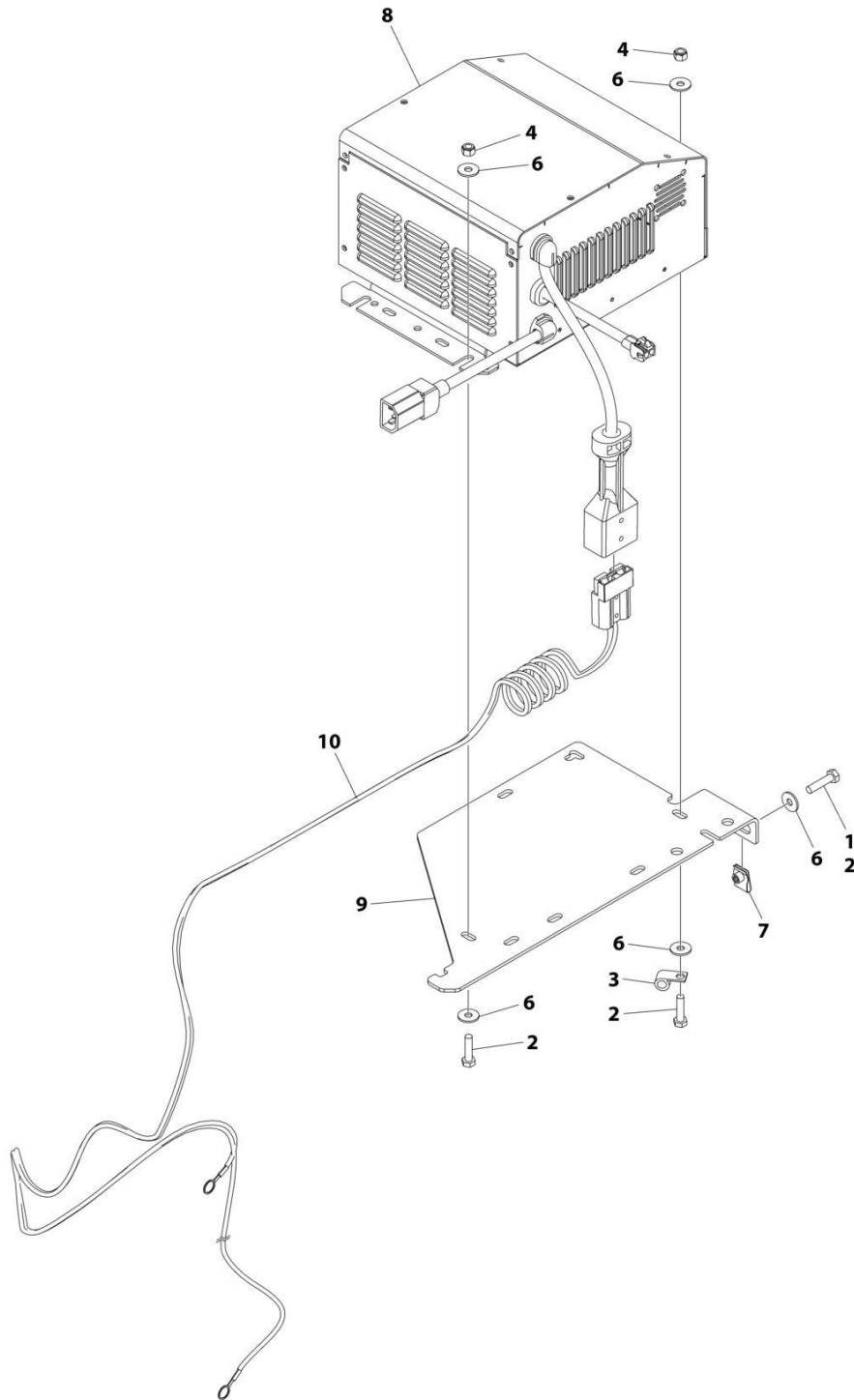
## SECTION 1 - FRAME

**FIGURE 1-7. BATTERY CHARGER INSTALLATION - DELTA-Q (WITH CAN)**

ITEM	PART NUMBER	QTY	DESCRIPTION	REV
	1001263257	Ref	BATTERY CHARGER INSTALLATION - DELTA-Q	A
1	0100011	AR	Compound, Locking	
2	0760612	5	Bolt M6 x 25	
3	1321293	1	Clamp	
4	3290605	3	Nut M6	
5	4240017	AR	Tie-Strap (Not Shown)	
6	4811702	8	Washer M6	
7	1001130220	2	Nut, Tinnerman M6	
8	1001207009	1	Charger Interlock Harness	
8	4460424	1	Receptacle, Female - 2 Position	
8	4460227	2	Pin, Male	
9	1001236139	1	Bracket	
10	1001253952	1	Charger, Battery - Delta-Q	
11	1001254027	1	Can Splice Harness (See Separate Breakdown in ELECTRICAL Section)	
12	1001254028	1	Charger To Battery Harness (See Separate Breakdown in ELECTRICAL Section)	
13	1001256642	1	Battery Charger to DC Connection Cable	

# SECTION 1 - FRAME

## FIGURE 1-8. BATTERY CHARGER INSTALLATION - EAGLE PERFORMANCE



ART\_1001263258

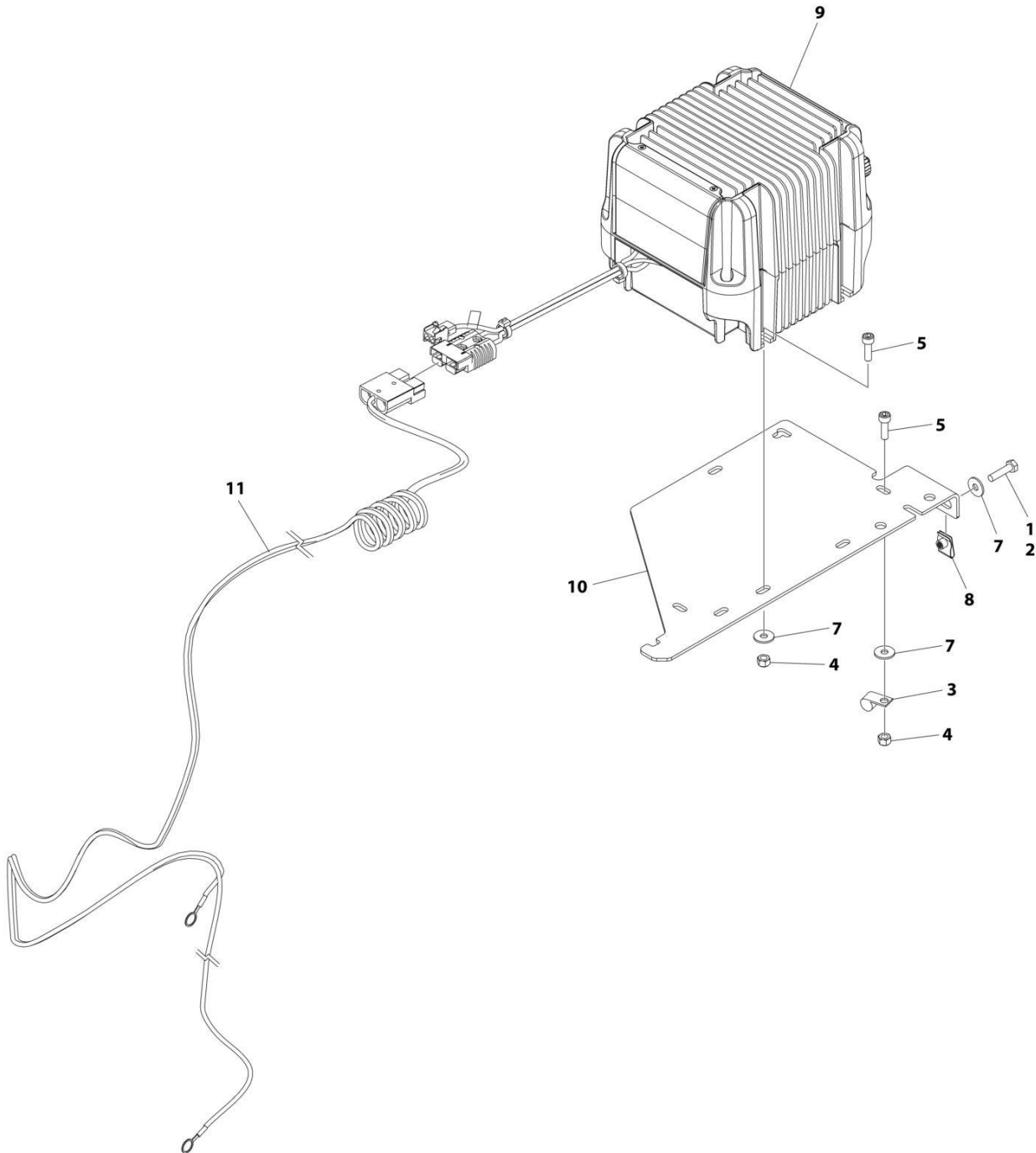
# SECTION 1 - FRAME

## FIGURE 1-8. BATTERY CHARGER INSTALLATION - EAGLE PERFORMANCE

ITEM	PART NUMBER	QTY	DESCRIPTION	REV
	1001263258	Ref	BATTERY CHARGER INSTALLATION - EAGLE PERFORMANCE	A
1	0100011	AR	Compound, Locking	
2	0760612	5	Bolt M6 x 20	
3	1321293	1	Clamp	
4	3290605	3	Nut M6	
5	4240017	AR	Tie-Strap (Not Shown)	
6	4811702	8	Washer M6	
7	1001130220	2	Nut, Tinnerman M6	
8	1001206995	1	Charger, Battery - Eagle Performance	
9	1001236139	1	Bracket	
10	1001256643	1	Charger DC Connection Harness	

# SECTION 1 - FRAME

## FIGURE 1-9. BATTERY CHARGER INSTALLATION - GREEN POWER



ART\_1001263259

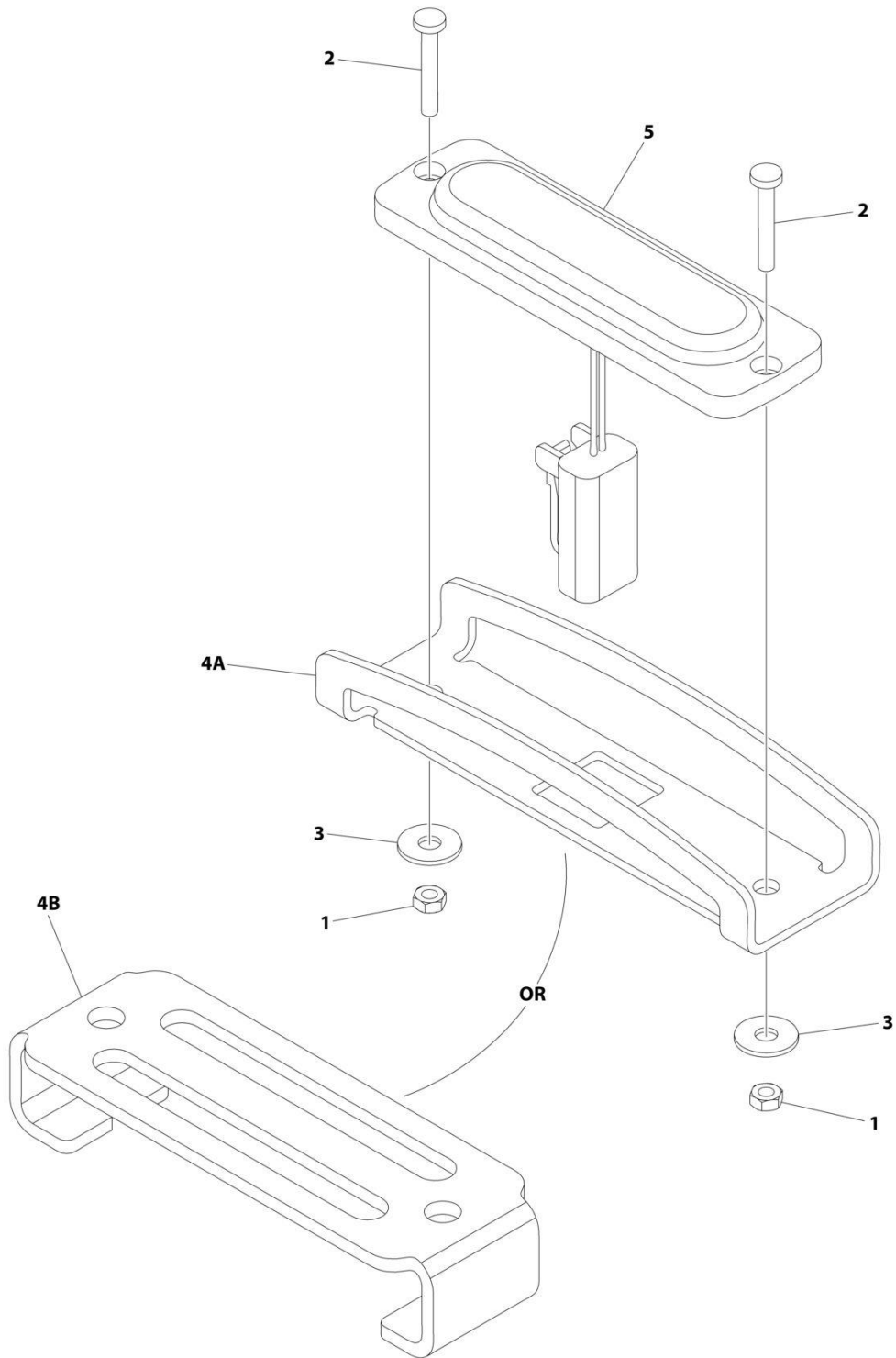
## SECTION 1 - FRAME

**FIGURE 1-9. BATTERY CHARGER INSTALLATION - GREEN POWER**

ITEM	PART NUMBER	QTY	DESCRIPTION	REV
	1001263259	Ref	BATTERY CHARGER INSTALLATION - GREEN POWER	A
1	0100011	AR	Compound, Locking	
2	0700612	2	Bolt M6 x 25	
3	1321293	1	Clamp, Cable	
4	3290605	4	Nut M6	
5	4031708	4	Capscrew M6 x 20	
6	4240017	AR	Tie-Strap (Not Shown)	
7	4811702	6	Washer M6	
8	1001130220	2	Nut, Tinnerman M6	
9	1001205598	1	Charger, Battery Green Power	
10	1001236139	1	Bracket	
11	1001256643	1	Charger DC Connection Harness	

# SECTION 1 - FRAME

## FIGURE 1-10. STROBE LIGHT INSTALLATION - SINGLE (AMBER) (WITH GUARD)



ART\_1001242697

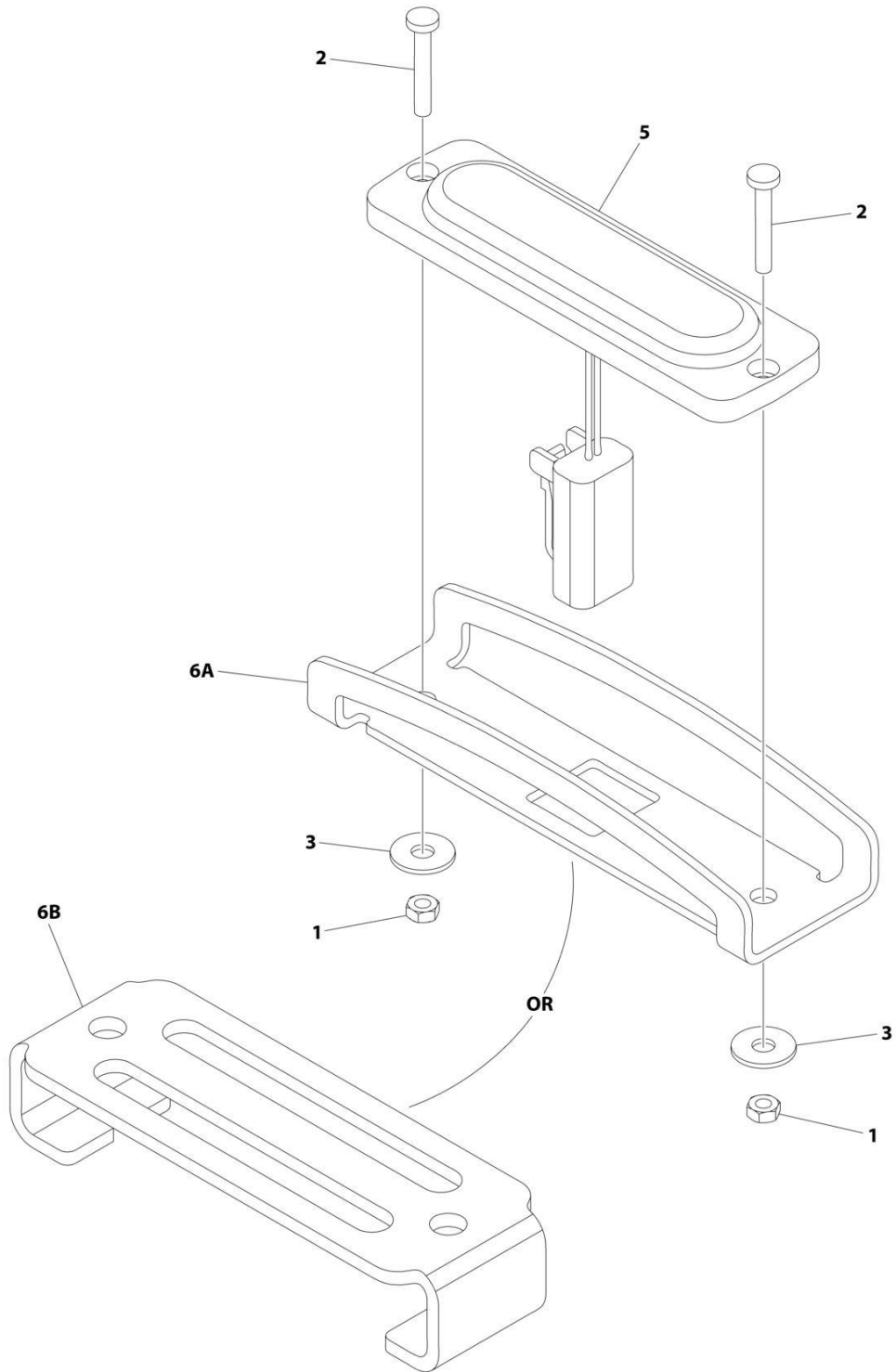
# SECTION 1 - FRAME

## FIGURE 1-10. STROBE LIGHT INSTALLATION - SINGLE (AMBER) (WITH GUARD)

ITEM	PART NUMBER	QTY	DESCRIPTION	REV
	1001242697	Ref	STROBE LIGHT INSTALLATION - SINGLE (AMBER) (WITH GUARD)	D
1	3290305	2	Nut M3	
2	4010310	2	Screw M3 x 20	
3	1001091102	2	Washer M4	
4A	1001242539	1	Guard	
4B	1001239661	1	Cover	
5	1001239224	1	Light, Strobe	
5	4460891	1	Plug, Male - 2 Position	
5	4460465	2	Socket, Female	

# SECTION 1 - FRAME

## FIGURE 1-11. STROBE LIGHT INSTALLATION - DUAL (AMBER) (WITH GUARD)



ART\_1001242990



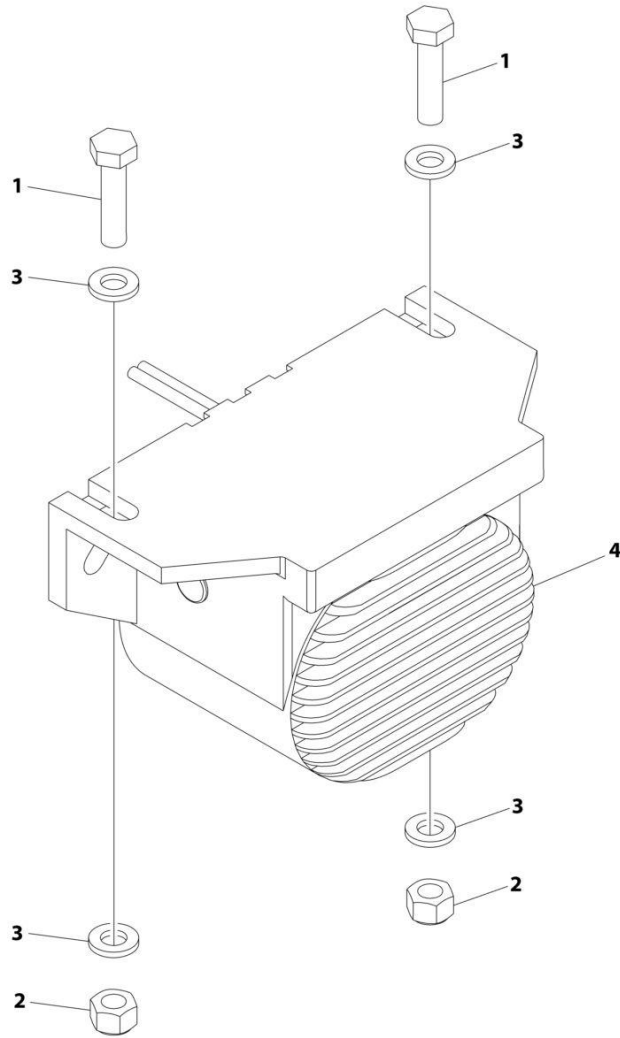
## SECTION 1 - FRAME

**FIGURE 1-11. STROBE LIGHT INSTALLATION - DUAL (AMBER) (WITH GUARD)**

ITEM	PART NUMBER	QTY	DESCRIPTION	REV
	1001242990	Ref	STROBE LIGHT INSTALLATION - DUAL (AMBER) (WITH GUARD)	D
1	3290305	4	Nut M3	
2	4010310	4	Screw M3 x 20	
3	1001091102	4	Washer M4	
4	1001215216	1	Strobe Light Jumper Harness (Not Shown)	
4	4460897	2	Receptacle, Female - 2 Position	
4	4460464	4	Pin, Male	
4	4460891	1	Plug, Male - 2 Position	
4	4460465	2	Socket, Female	
5	1001239224	2	Light, Strobe	
5	4460891	1	Plug, Male - 2 Position	
5	4460465	2	Socket, Female	
6A	1001242539	2	Guard	
6B	1001239661	2	Cover	
7	4240018	AR	Tie-Strap (Not Shown)	

# SECTION 1 - FRAME

FIGURE 1-12. ALARM INSTALLATION (AMBIENT/WHITE NOISE)



ART\_1001204495

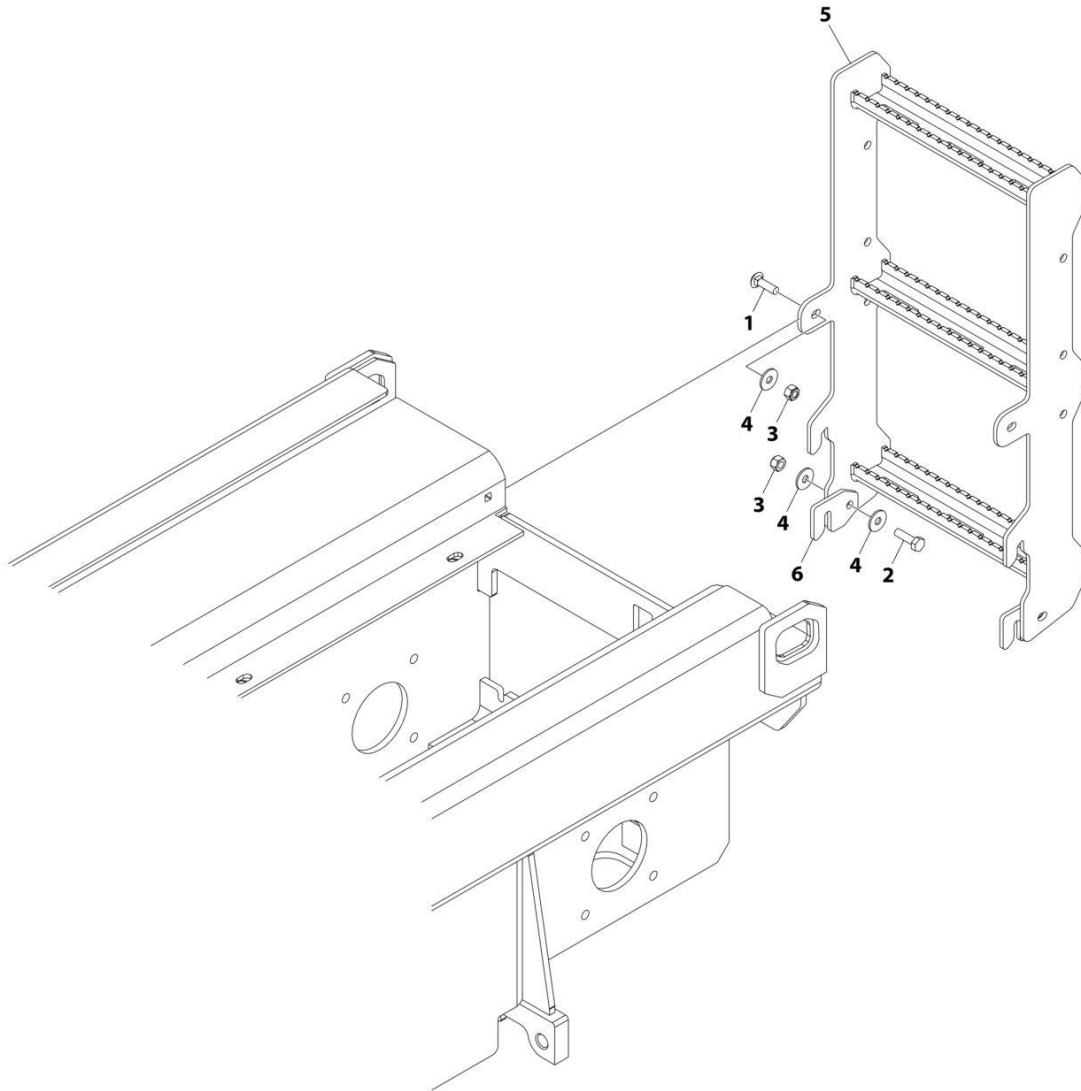
# SECTION 1 - FRAME

## FIGURE 1-12. ALARM INSTALLATION (AMBIENT/WHITE NOISE)

ITEM	PART NUMBER	QTY	DESCRIPTION	REV
	1001204495	Ref	ALARM INSTALLATION (AMBIENT/WHITE NOISE)	B
1	0760612	2	Bolt M6 x 25	
2	3290605	2	Nut M6	
3	4811700	4	Washer M6	
4	1001182806	1	Alarm	
4	4460897	1	Receptacle, Female - 2 Position	
4	4460464	2	Pin, Male	

# SECTION 1 - FRAME

## FIGURE 1-13. LADDER INSTALLATION



ART\_1001237707

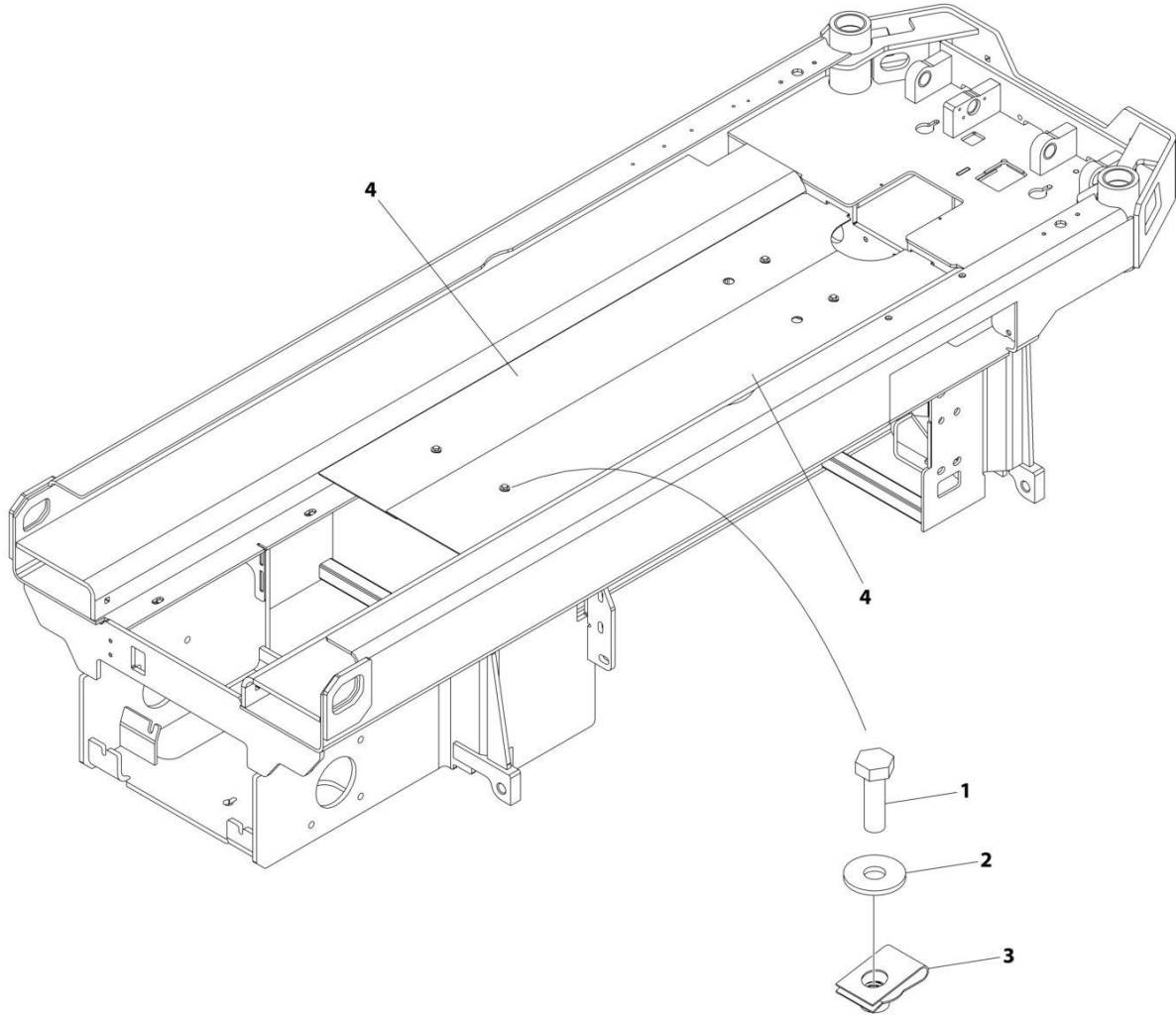
# SECTION 1 - FRAME

## FIGURE 1-13. LADDER INSTALLATION

ITEM	PART NUMBER	QTY	DESCRIPTION	REV
	1001237707	Ref	LADDER INSTALLATION	B
1	1001228406	2	Bolt M10 x 35	
2	0761015	2	Bolt M10 x 35	
3	3291005	4	Nut M10	
4	4812002	6	Washer M10	
5	1001234842	1	Ladder	
6	1001235955	2	Bracket	
6	1001237708	2	Bracket	

# SECTION 1 - FRAME

## FIGURE 1-14. FRAME COVERS INSTALLATION



ART\_1001237855

# SECTION 1 - FRAME

## FIGURE 1-14. FRAME COVERS INSTALLATION

ITEM	PART NUMBER	QTY	DESCRIPTION	REV
	1001237855	Ref	FRAME COVERS INSTALLATION	A
1	0760610	4	Bolt M6 x 20	
2	4811702	4	Washer M6	
3	1001130220	4	Nut, Tinnerman M6	
4	1001237856	2	Cover	

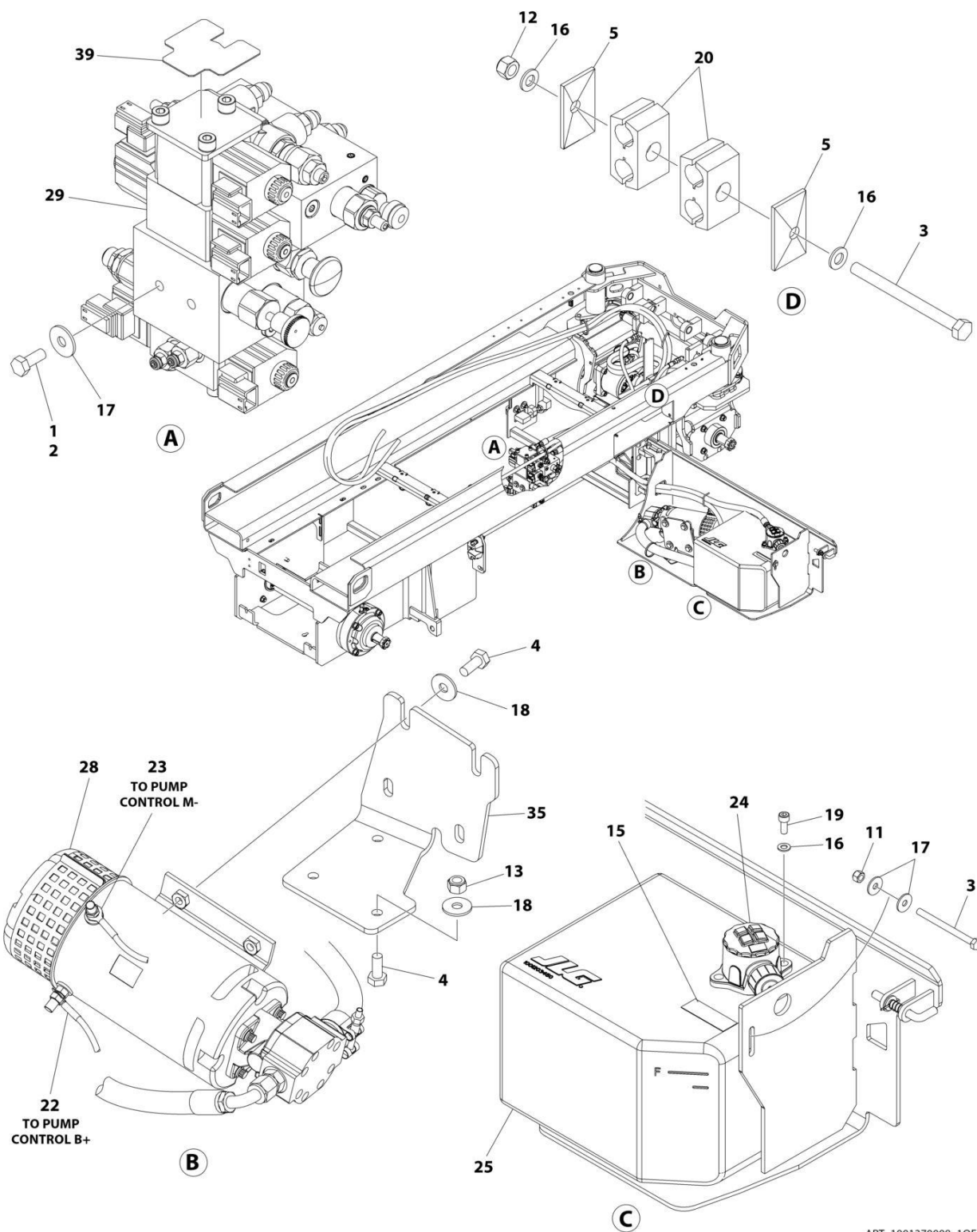




**SECTION 2 - GROUND CONTROLS**

# SECTION 2 - GROUND CONTROLS

## FIGURE 2-1. HYDRAULIC COMPONENTS INSTALLATION (WITH CONCENTRIC MOTOR/PUMP)



ART\_1001370008\_10F2

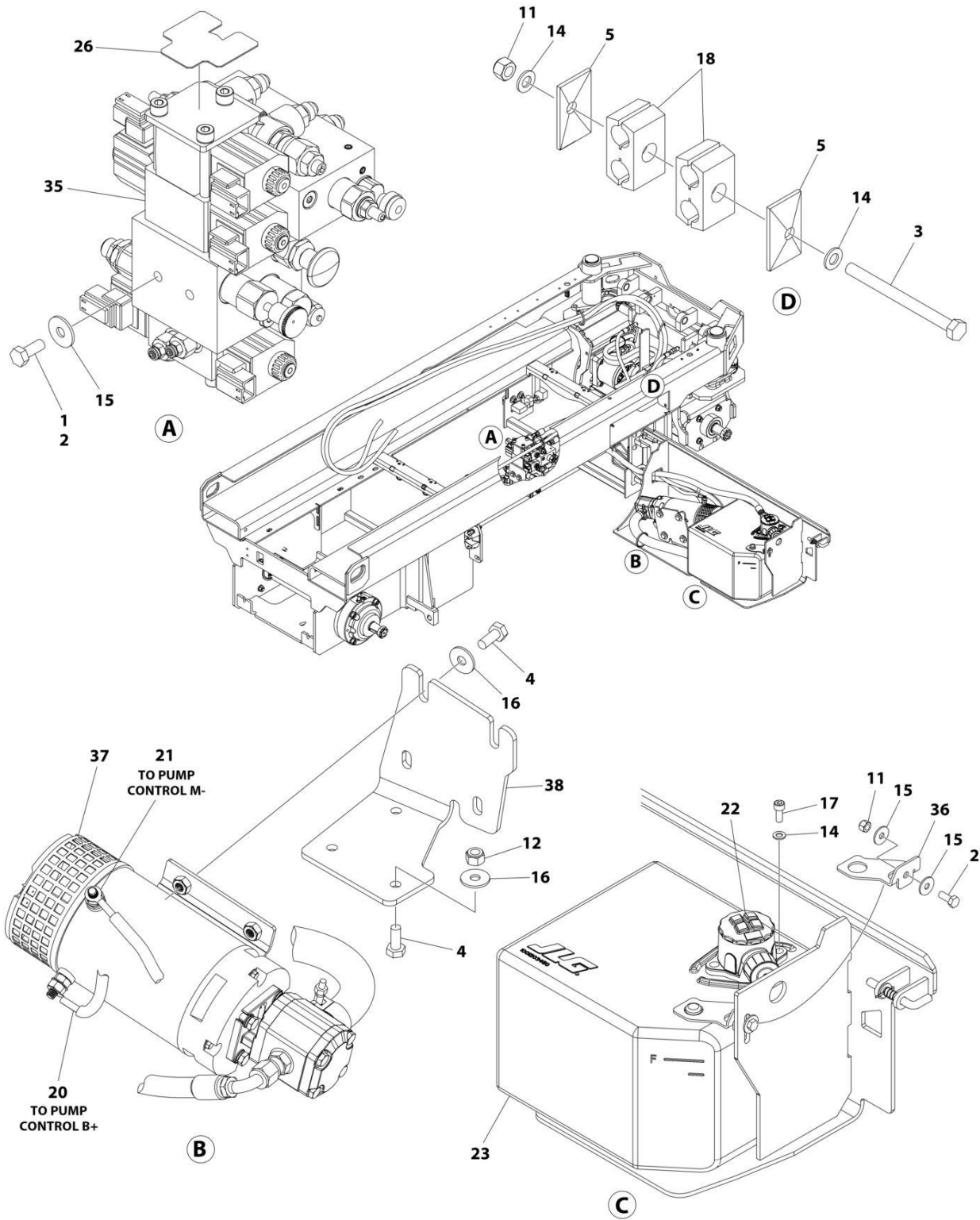
## SECTION 2 - GROUND CONTROLS

**FIGURE 2-1. HYDRAULIC COMPONENTS INSTALLATION (WITH CONCENTRIC MOTOR/PUMP)**

ITEM	PART NUMBER	QTY	DESCRIPTION	REV
	1001370008	Ref	HYDRAULIC COMPONENTS INSTALLATION	D
1	0100011	AR	Compound, Locking	
2	0760810	2	Bolt M8 x 20	
3	0760827	2	Bolt M8 x 100	
4	0761012	7	Bolt M8 x 25	
5	1321752	2	Plate, Clamp	
11	3290801	1	Nut M8	
12	3290805	1	Nut M8	
13	3291005	3	Nut M10	
14	4240017	12	Tie-Strap (Not Shown)	
15	4420062	75 mm	Tape	
16	4811900	4	Washer M8	
17	4811902	4	Washer M8	
18	4812002	7	Washer M10	
19	5271808	2	Capscrew M8 x 20	
20	8750014	2	Clamp	
22	1001201705	1	Cable, Pump (+)	
23	1001201706	1	Cable, Pump (-)	
24	1001202851	1	Filter, Hydraulic	
24	70005423	1	Filter Element Kit (Includes Element, Cap O-Ring and Bowl O-Ring)	
24	70007946	1	O-Ring, Bowl	
25	1001203450	1	Tank, Hydraulic	
28	1001213875	1	Motor/Pump Assembly	
28	70006351	1	Replacement Motor	
28	70006352	1	Replacement Pump	
28	70005816	1	Seal and Mounting Kit (Includes Shaft Seal, Retaining Ring, Gasket and Pump Mounting Hardware)	
29	1001248679	1	Main Valve Assembly (See Separate Breakdown in this Section)	
35	1001241894	1	Bracket	
39	1001212294	1	Decal - Manifold	

# SECTION 2 - GROUND CONTROLS

FIGURE 2-2. HYDRAULIC COMPONENTS INSTALLATION (WITH BUCHER PUMP/MOTOR)



ART\_1001284952\_1OF2

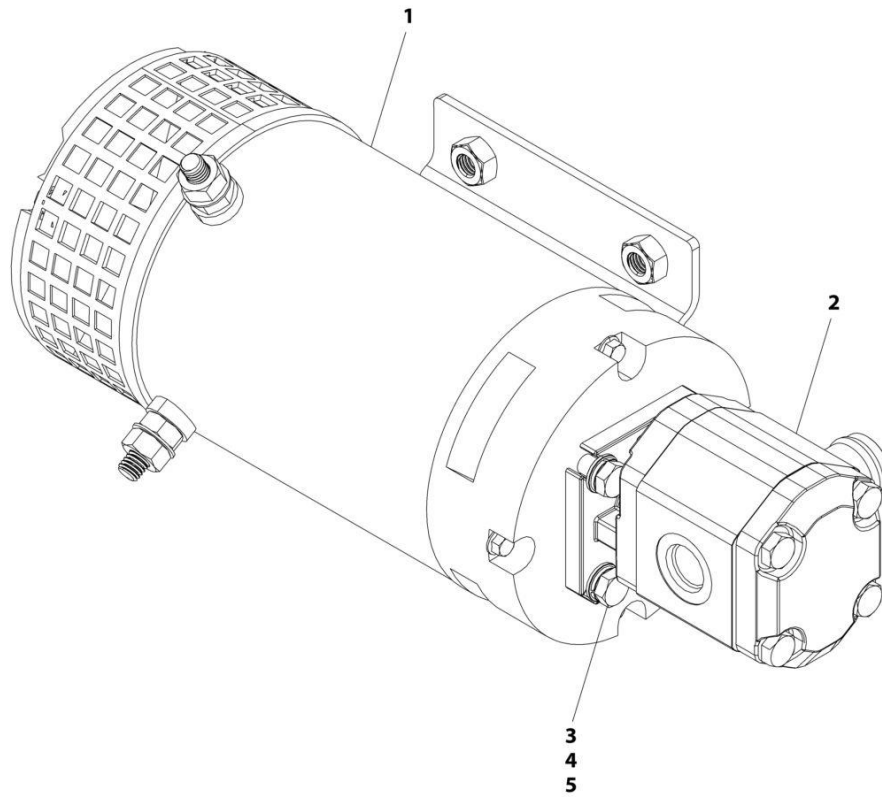
## SECTION 2 - GROUND CONTROLS

**FIGURE 2-2. HYDRAULIC COMPONENTS INSTALLATION (WITH BUCHER PUMP/MOTOR)**

ITEM	PART NUMBER	QTY	DESCRIPTION	REV
	1001284952	Ref	HYDRAULIC COMPONENTS INSTALLATION	A
1	0100011	AR	Compound, Locking	
2	0760810	3	Bolt M8 x 20	
3	0760827	1	Bolt M8 x 100	
4	0761012	7	Bolt M8 x 25	
5	1321752	2	Plate, Clamp	
11	3290805	2	Nut, Lock M8	
12	3291005	3	Nut, Lock M10	
13	4240017	12	Tie-Strap (Not Shown)	
14	4811900	4	Washer M8	
15	4811902	4	Washer M8	
16	4812002	7	Washer M10	
17	5271808	2	Capscrew M8 x 20	
18	8750014	2	Clamp	
20	1001201705	1	Cable, Pump (+)	
21	1001201706	1	Cable, Pump (-)	
22	1001202851	1	Filter, Hydraulic	
22	70005423	1	Filter Element Kit (Includes Element, Cap O-Ring and Bowl O-Ring)	
22	70007946	1	O-Ring, Bowl	
23	1001203450	1	Tank, Hydraulic	
26	1001212294	1	Decal - Manifold	
35	1001248679	1	Main Valve Assembly (See Separate Breakdown in this Section)	
36	1001269730	1	Bracket	
37	1001284939	1	Motor/Pump Assembly (See Separate Breakdown in this Section)	
38	1001284951	1	Bracket	

## SECTION 2 - GROUND CONTROLS

FIGURE 2-3. HYDRAULIC MOTOR/PUMP ASSEMBLY (BUCHER)



ART\_1001284939

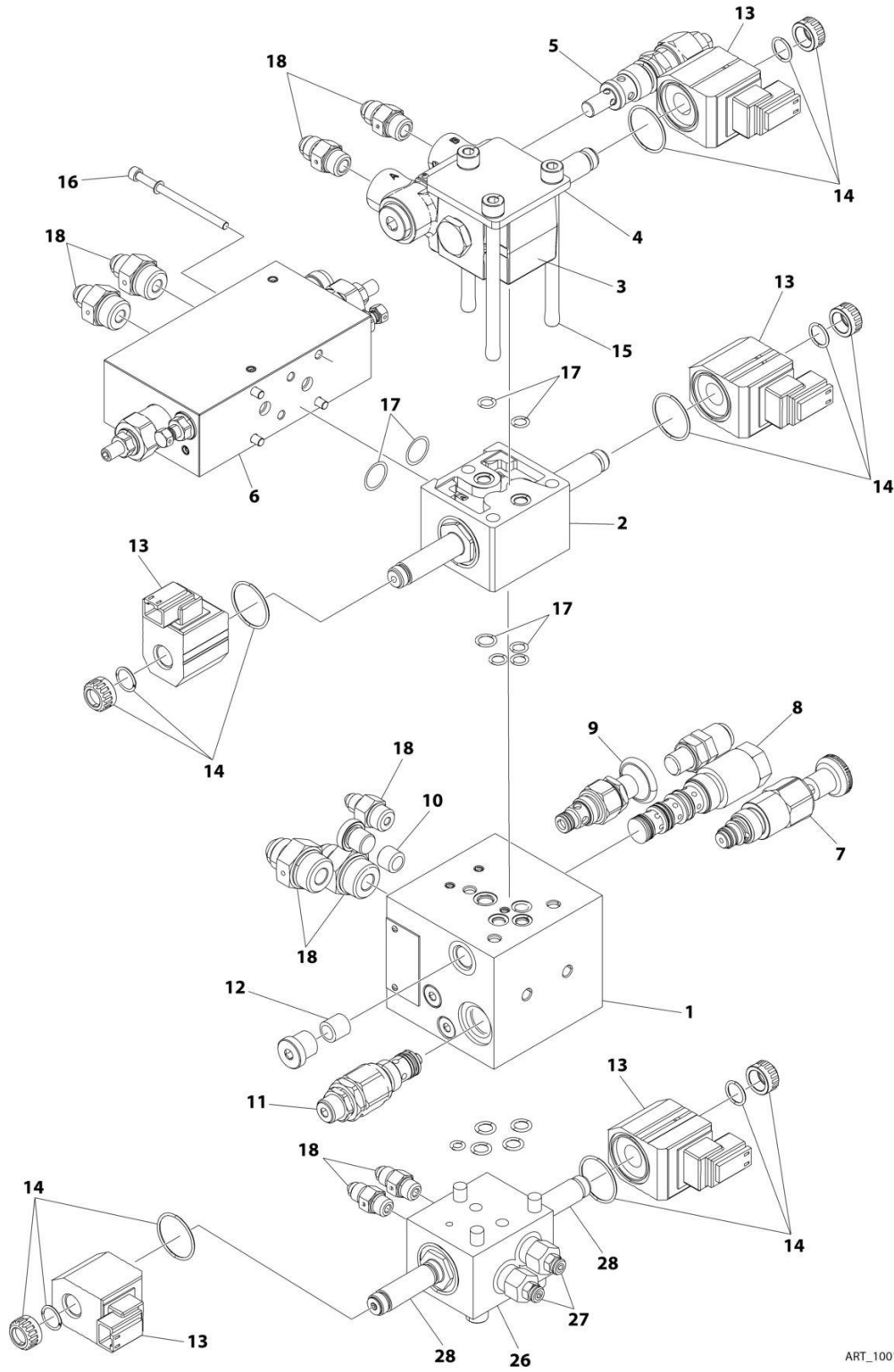
## SECTION 2 - GROUND CONTROLS

FIGURE 2-3. HYDRAULIC MOTOR/PUMP ASSEMBLY (BUCHER)

ITEM	PART NUMBER	QTY	DESCRIPTION	REV
	1001284939	Ref	AUXILIARY MOTOR/PUMP ASSEMBLY	B
1	70008409	1	Motor	
2	70008410	1	Pump	
3	70008411	4	Washer	
4	70008412	4	Washer, Spring	
5	70008413	4	Bolt 5/16 x 20	
6	70008414	1	Seal (Not Shown)	

# SECTION 2 - GROUND CONTROLS

## FIGURE 2-4. MAIN VALVE ASSEMBLY



ART\_1001248679



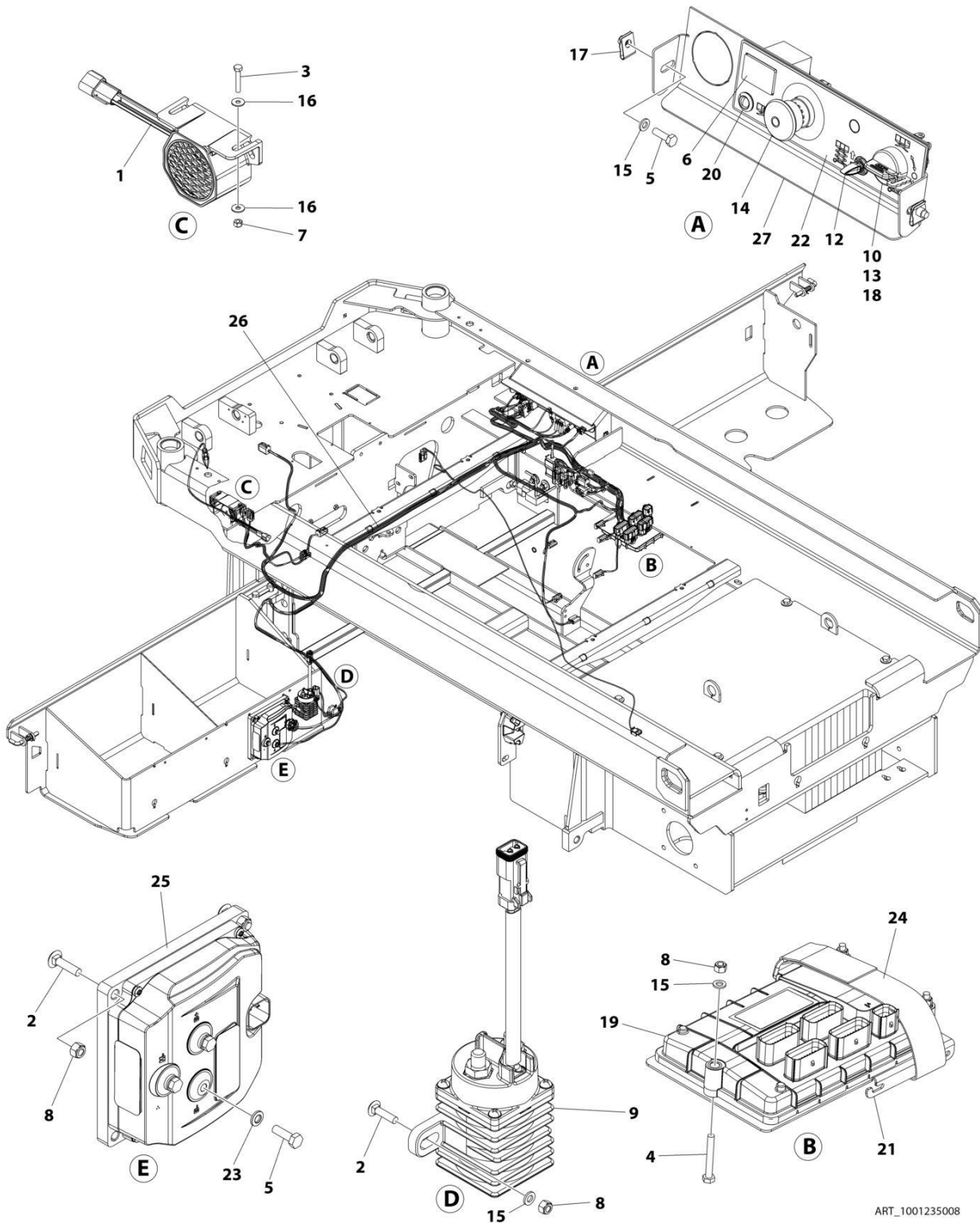
## SECTION 2 - GROUND CONTROLS

### FIGURE 2-4. MAIN VALVE ASSEMBLY

ITEM	PART NUMBER	QTY	DESCRIPTION	REV
	1001248679	Ref	MAIN VALVE ASSEMBLY	D
1	70007595	1	Valve Assembly (Includes Items 7-9)	
2	70005903	1	Valve Assembly - Lower Drive	
3	70007594	1	Valve Assembly - Lift	
4	70005911	1	Plate	
5	70005909	1	Valve, Cartridge	
6	70007593	1	Valve Assembly - Upperr Drive	
7	70005900	1	Valve, Cartridge	
8	70005898	1	Valve, Cartridge	
9	70005899	1	Valve, Cartridge	
10	70007598	1	Restrictor, Flow	
11	70007596	1	Cartridge, Valve	
12	70007597	1	Orifice	
13	70005893	5	Coil	
14	70021209	5	Coil Nut Kit	
15	70007599	1	Bolt Kit	
16	70007600	1	Bolt Kit	
17	70007601	1	Seal Kit	
18	70007602	1	Fitting Kit	
26	NPN	1	Valve Assembly - Steer	
27	70006301	2	Valve, Cartridge - Relief	
28	NPN	2	Valve, Solenoid Cartridge	

# SECTION 2 - GROUND CONTROLS

FIGURE 2-5. ELECTRICAL COMPONENTS INSTALLATION (MACHINES WITH SN STARTING WITH 12, B2, G2 & M2)



ART\_1001235008

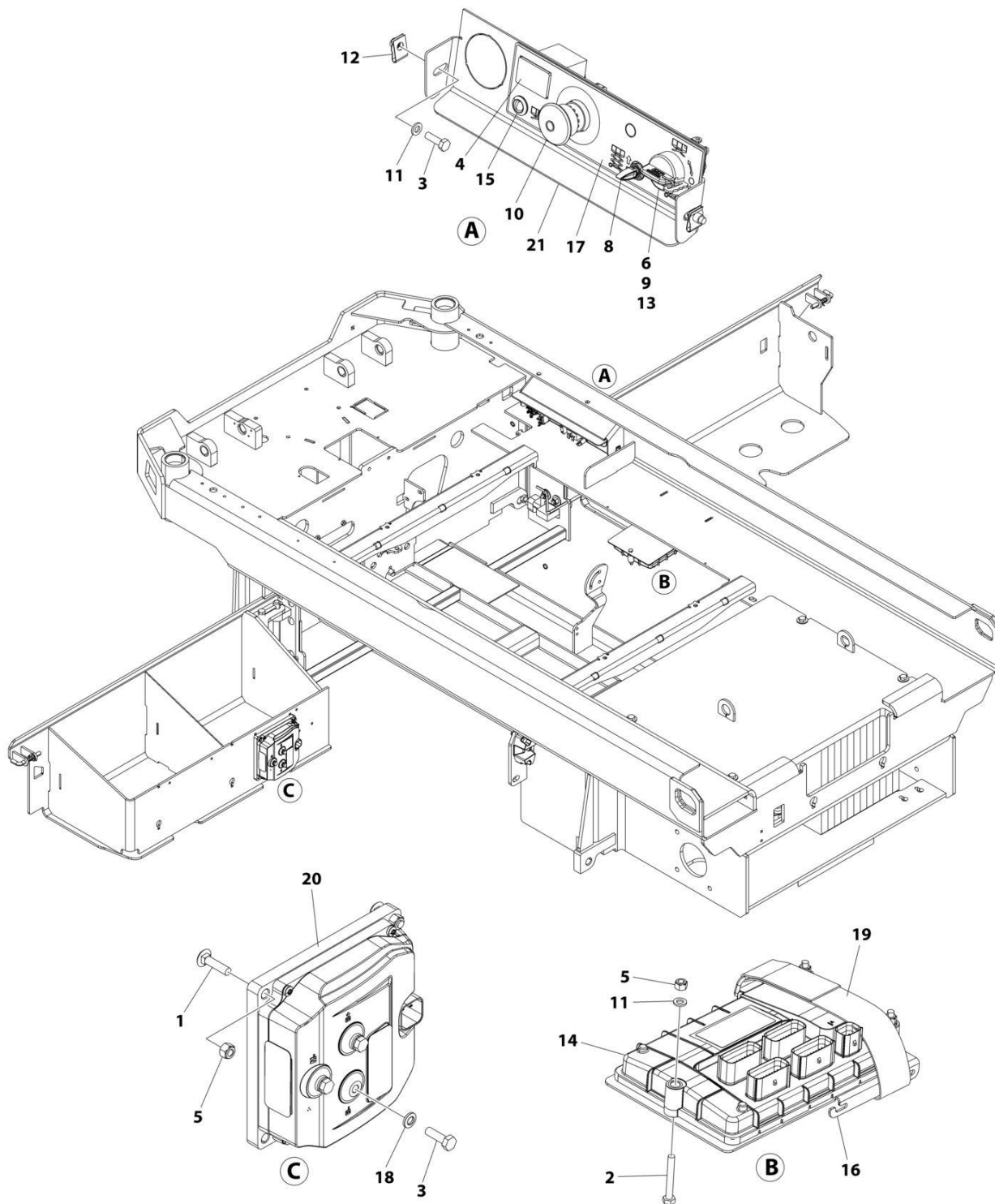
## SECTION 2 - GROUND CONTROLS

**FIGURE 2-5. ELECTRICAL COMPONENTS INSTALLATION (MACHINES WITH SN STARTING WITH 12, B2, G2 & M2)**

ITEM	PART NUMBER	QTY	DESCRIPTION	REV
	1001235008	Ref	ELECTRICAL COMPONENTS INSTALLATION	C
1	0140043	1	Alarm	
2	0630587	4	Bolt M6 x 25	
3	0700412	2	Bolt M4 x 25	
4	0700617	3	Bolt M6 x 45	
5	0760610	5	Bolt M6 x 20	
6	2420172	1	Hourmeter	
7	3290405	2	Nut M4	
8	3290605	7	Nut M6	
9	3740150	1	Relay	
10	3910804	3	Screw #8 x 1/4	
11	4240017	AR	Tie-Strap (Not Shown)	
12	4360328	1	Switch, Toggle	
13	4360469	1	Switch, Key	
13	2860030	1 Set	Key, Replacement	
14	4360475	1	Switch, Emergency Stop (Metal)	
14	7020175	1	Cap	
14	7020176	1	Block, Contact	
14	1001274559	1	Switch, Emergency Stop (Plastic)	
15	4811700	7	Washer M6	
16	1001091102	4	Washer M4	
17	1001130220	2	Nut Tinnerman M6	
18	1001130590	1	Plate	
19	1001200629	1	Module, Control (Note: Recalibration Required when Replaced)	
20	1001200631	1	Light, Indicator (Red)	
21	1001207494	1	Bracket	
22	1001209682	1	Decal - Ground Control	
23	1001210966	3	Washer	
24	1001215762	1	Strap, Clinch	
25	1001216062	1	Module, Power (Note: Recalibration Required when Replaced)	
26	1001234479	1	Chassis Harness (See Separate Breakdown in ELECTRICAL SECTION)	
27	1001235559	1	Support	

## SECTION 2 - GROUND CONTROLS

FIGURE 2-6. ELECTRICAL COMPONENTS INSTALLATION - #1 (MACHINES WITH SN STARTING WITH 12, B2 & G2)



ART\_1001237887

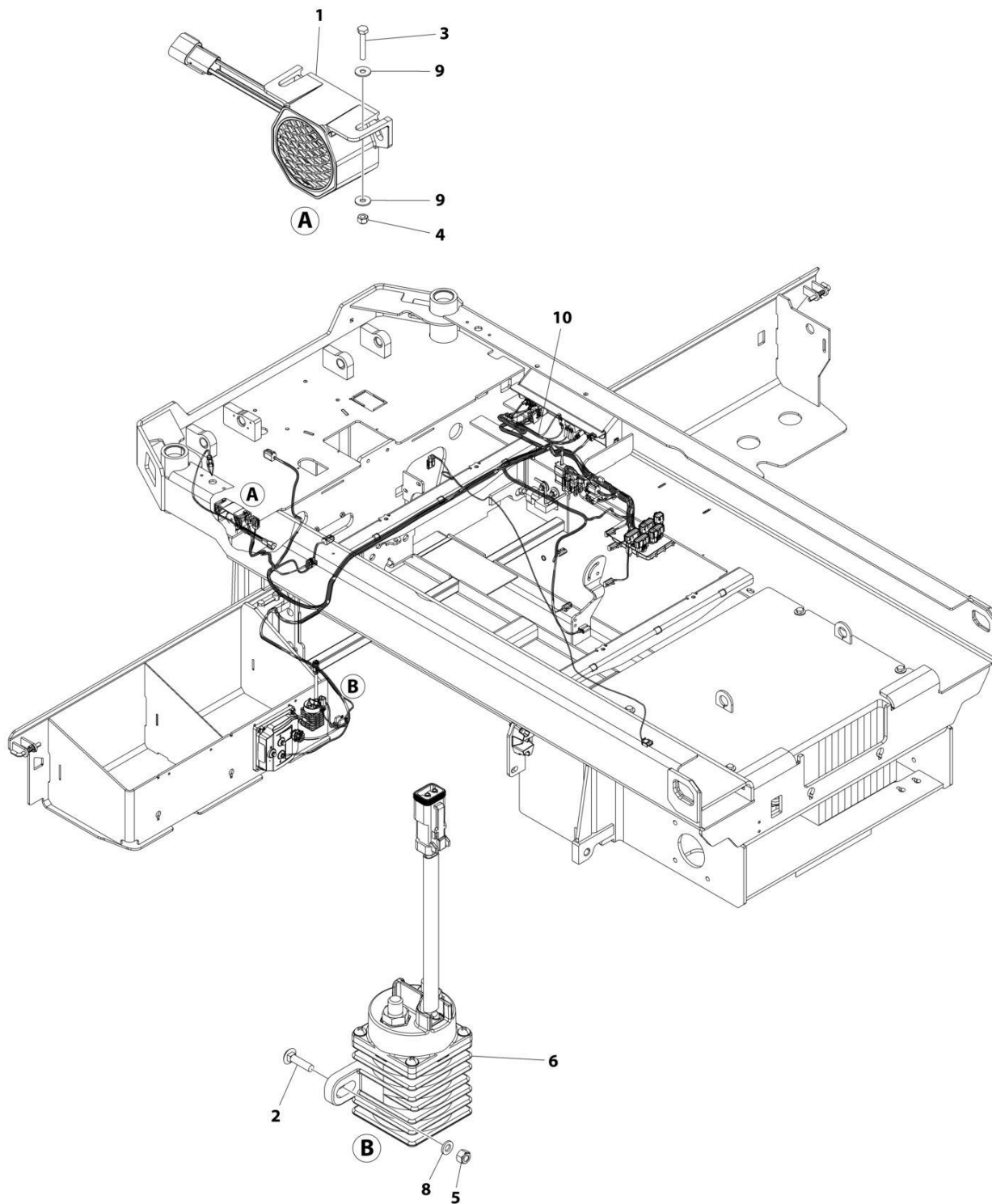
## SECTION 2 - GROUND CONTROLS

**FIGURE 2-6. ELECTRICAL COMPONENTS INSTALLATION - #1 (MACHINES WITH SN STARTING WITH 12, B2 & G2)**

ITEM	PART NUMBER	QTY	DESCRIPTION	REV
	1001237887	Ref	ELECTRICAL COMPONENTS INSTALLATION	B
1	0630587	2	Bolt M6 x 25	
2	0700617	3	Bolt M6 x 45	
3	0760610	5	Bolt M6 x 20	
4	2420172	1	Hourmeter	
5	3290605	5	Nut M6	
6	3910804	3	Screw #8 x 1/4	
7	4240017	AR	Tie-Strap (Not Shown)	
8	4360328	1	Switch, Toggle	
9	4360469	1	Switch, Key	
9	2860030	1 Set	Key, Replacement	
10	4360475	1	Switch, Emergency Stop (Metal)	
10	7020175	1	Cap	
10	7020176	1	Block, Contact	
10	1001274559	1	Switch, Emergency Stop (Plastic)	
11	4811700	5	Washer M6	
12	1001130220	2	Nut Tinnerman M6	
13	1001130590	1	Plate	
14	1001200629	1	Module, Control (Note: Recalibration Required when Replaced)	
15	1001200631	1	Light, Indicator (Red)	
16	1001207494	1	Bracket	
17	1001209682	1	Decal - Ground Control	
18	1001210966	3	Washer	
19	1001215762	1	Strap, Clinch	
20	1001216062	1	Module, Power (Note: Recalibration Required when Replaced)	
21	1001235559	1	Support	

## SECTION 2 - GROUND CONTROLS

FIGURE 2-7. ELECTRICAL COMPONENTS INSTALLATION - #2 (MACHINES WITH SN STARTING WITH 12, B2 & G2)



ART\_1001239386

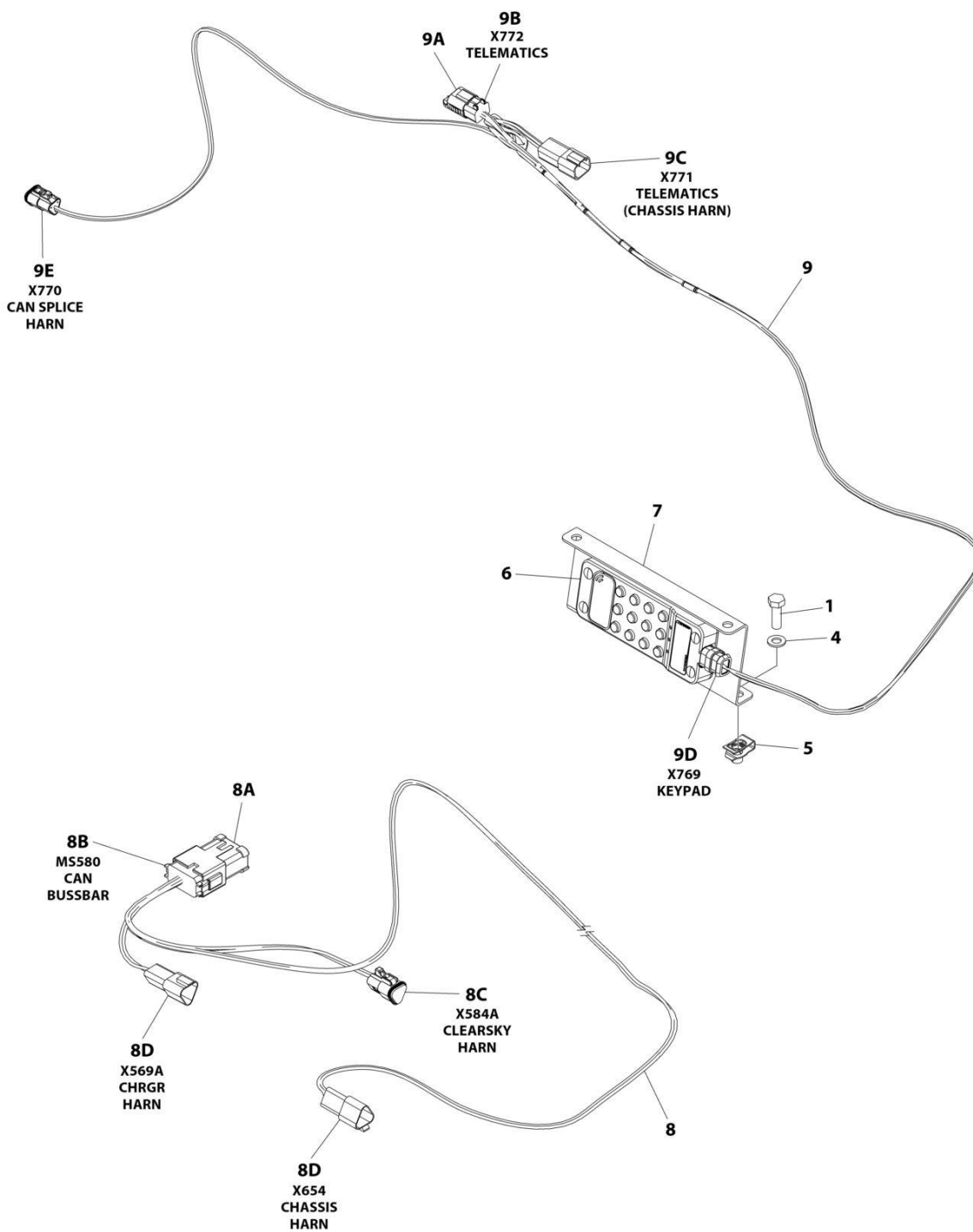
## SECTION 2 - GROUND CONTROLS

**FIGURE 2-7. ELECTRICAL COMPONENTS INSTALLATION - #2 (MACHINES WITH SN STARTING WITH 12, B2 & G2)**

ITEM	PART NUMBER	QTY	DESCRIPTION	REV
	1001239386	Ref	ELECTRICAL COMPONENTS INSTALLATION	B
1	0140043	1	Alarm	
2	0630587	2	Bolt M6 x 25	
3	0700412	2	Bolt M4 x 25	
4	3290405	2	Nut M4	
5	3290605	2	Nut M6	
6	3740150	1	Relay	
7	4240017	AR	Tie-Strap (Not Shown)	
8	4811700	2	Washer M6	
9	1001091102	4	Washer M4	
10	1001283410	1	Chassis Harness with ClearSky (See Separate Breakdown in ELECTRICAL SECTION)	

# SECTION 2 - GROUND CONTROLS

## FIGURE 2-8. ACCESS CONTROL KEYPAD INSTALLATION



ART\_1001258356



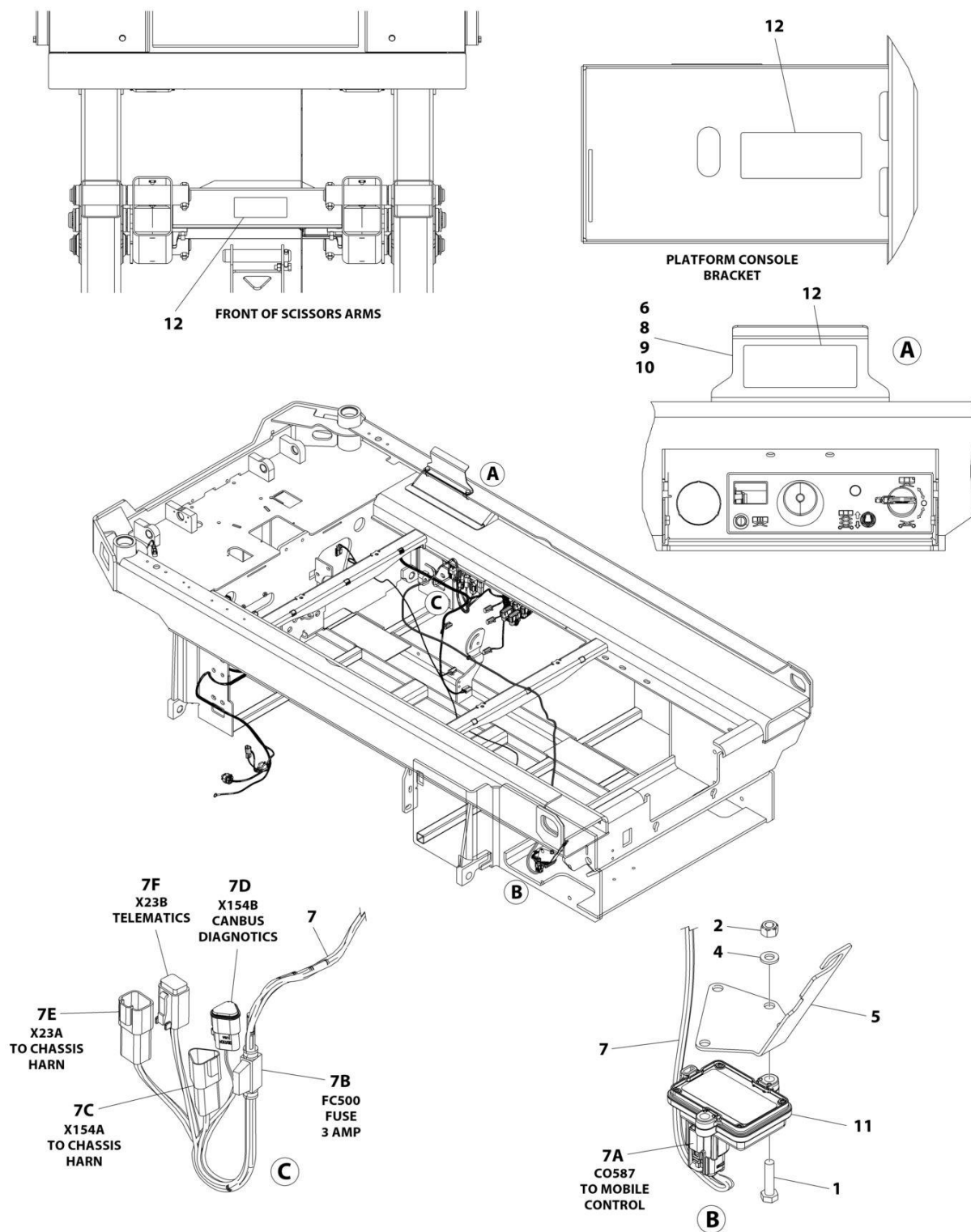
## SECTION 2 - GROUND CONTROLS

### FIGURE 2-8. ACCESS CONTROL KEYPAD INSTALLATION

ITEM	PART NUMBER	QTY	DESCRIPTION	REV
	1001258356	Ref	ACCESS CONTROL KEYPAD INSTALLATION	A
1	0760812	2	Bolt, M8 x 25	
2	1062255	AR	Tie-Strap (Not Shown)	
3	4240032	AR	Tie-Strap (Not Shown)	
4	4811900	2	Washer M8	
5	1001118274	2	Nut, Tinnerman	
6	1001238392	1	Keypad	
7	1001248773	1	Bracket	
8	1001254027	1	Access Control Keypad Can Splice Harness	
8A	1001125677	AR	Connector, Bus Bar - 12 Position	
8B	4460933	1	Plug, Male - 12 Position	
8B	4460944	6	Socket, Female	
8B	4460466	6	Plug, Terminal	
8C	1001118812	1	Plug, Male - 3 Position	
8C	4460944	2	Socket, Female	
8C	4460466	1	Plug, Terminal	
8D	1001144147	2	Receptacle, Female - 3 Position	
8D	4460943	4	Pin, Male	
8D	4460466	2	Plug, Terminal	
9	1001258691	1	Access Control Keypad Harness	
9A	1001192401	1	Dustcap	
9B	4460884	1	Plug, Male - 4 Position	
9B	4460465	4	Socket, Female	
9C	4460932	1	Receptacle, Female - 4 Position	
9C	4460464	4	Pin, Male	
9D	1001210079	1	Plug, Male - 4 Position	
9D	4460465	2	Socket, Female	
9D	4460944	2	Socket, Female	
9E	1001116812	1	Plug, Male - 3 Position	
9E	4460944	2	Socket, Female	
9E	4460466	1	Plug, Terminal	

# SECTION 2 - GROUND CONTROLS

## FIGURE 2-9. MOBILE CONTROL INSTALLATION



ART\_1001245353

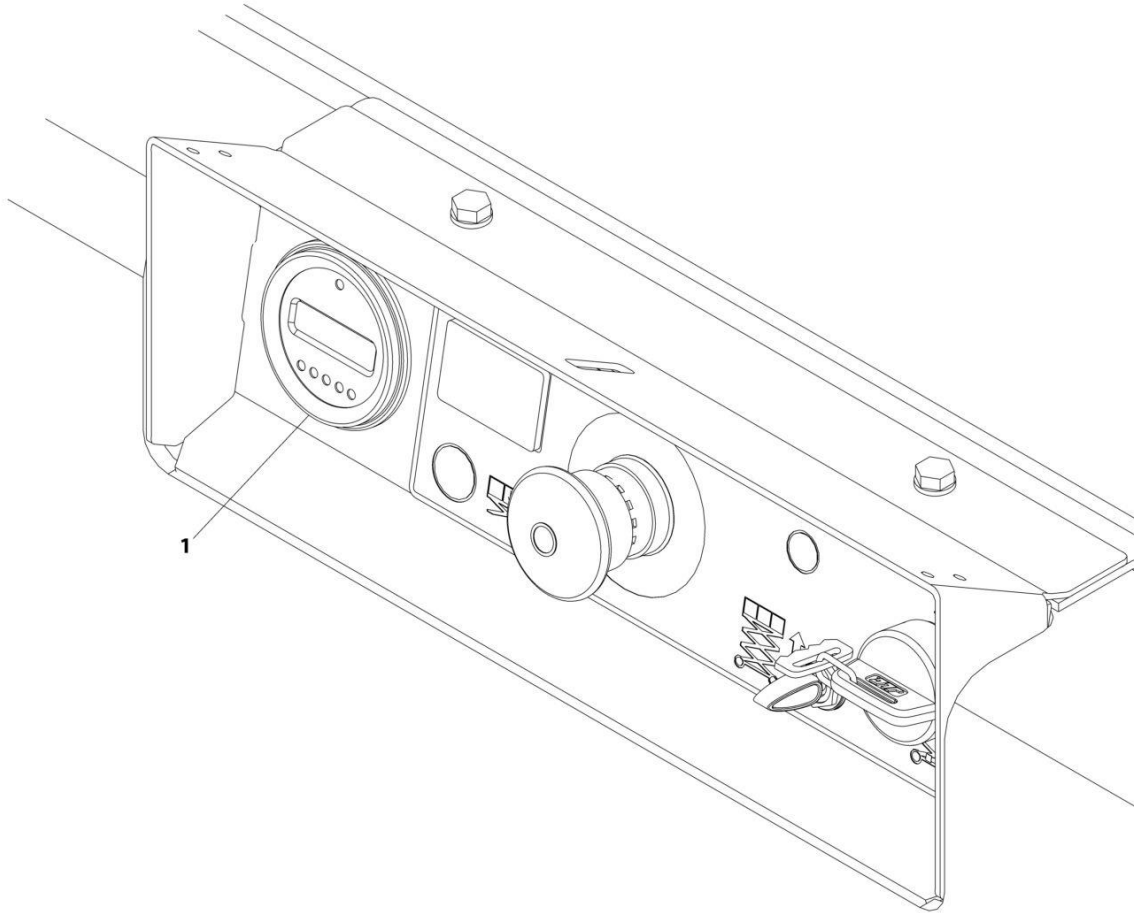
## SECTION 2 - GROUND CONTROLS

### FIGURE 2-9. MOBILE CONTROL INSTALLATION

ITEM	PART NUMBER	QTY	DESCRIPTION	REV
	1001245353	Ref	MOBILE CONTROL INSTALLATION	C
1	0700612	2	Bolt M6 x 25	
2	3290605	2	Nut M6	
3	4240017	AR	Tie-Strap (Not Shown)	
4	4811700	2	Washer M6	
5	1001244394	1	Bracket, Module	
6	1001244885	1	Plate, Decal	
7	1001245299	1	Mobile Control Harness	
7A	1001205409	1	Connector - 8 Position	
7A	1001162887	4	Terminal	
7A	1001163340	4	Plug, Terminal	
7B	2400060	1	Fuseholder with Cap	
7B	1001196635	1	Fuse 3 Amp	
7C	1001144147	1	Receptacle, Female - 3 Position	
7C	4460943	2	Pin, Male	
7C	4460466	1	Plug, Terminal	
7D	1001116812	1	Plug, Male - 3 Position	
7D	4460944	2	Socket, Female	
7D	4460466	1	Plug, Terminal	
7E	4460932	1	Receptacle, Female - 4 Position	
7E	4460464	4	Pin, Terminal	
7F	4460884	1	Pin, Male	
7F	4460465	4	Socket, Female	
8	0760810	2	Bolt M8 x 20	
9	4811900	2	Washer M8	
10	1001118274	2	Nut Tinnerman M8	
11	1001245293	1	Control, Mobile	
12	1001248768	3	Decal, Mobile Control	
13	3121792	1	Manual, Mobile Control (Not Shown)	

# SECTION 2 - GROUND CONTROLS

## FIGURE 2-10. MDI INSTALLATION



ART\_1001207293

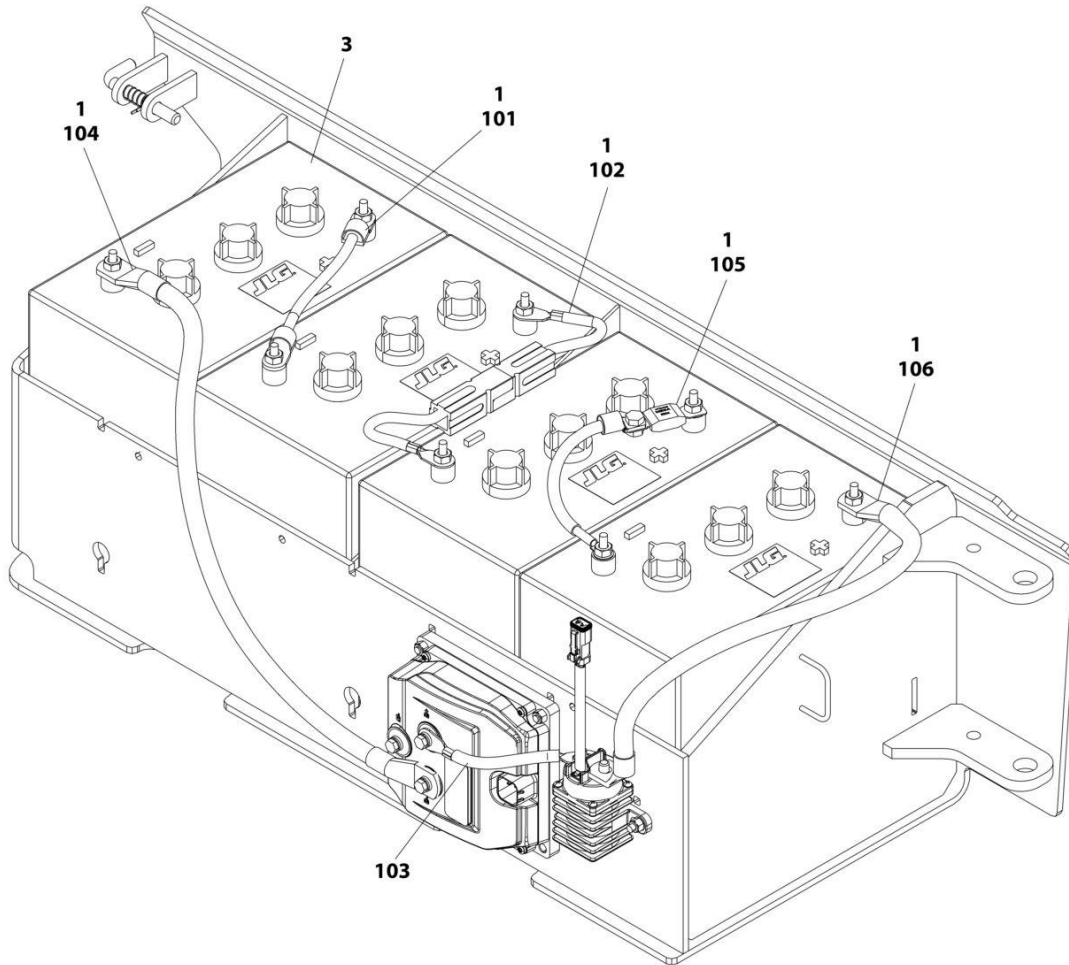
## SECTION 2 - GROUND CONTROLS

FIGURE 2-10. MDI INSTALLATION

ITEM	PART NUMBER	QTY	DESCRIPTION	REV
1	1001207293	Ref	MDI INSTALLATION	B
	1001200632	1	Gauge, MDI	

# SECTION 2 - GROUND CONTROLS

## FIGURE 2-11. BATTERIES INSTALLATION - STANDARD 6V-250AH



ART\_1001235834

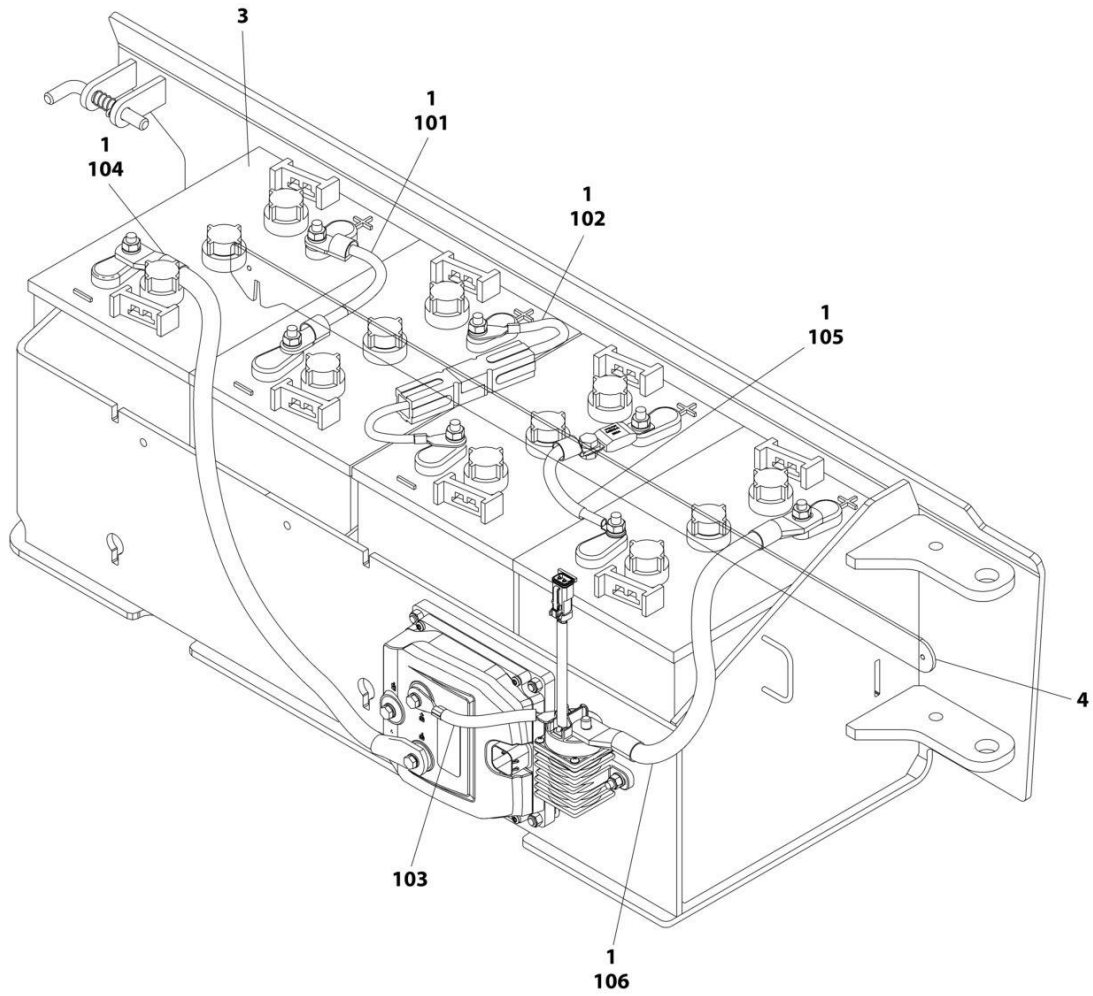
## SECTION 2 - GROUND CONTROLS

**FIGURE 2-11. BATTERIES INSTALLATION - STANDARD 6V-250AH**

ITEM	PART NUMBER	QTY	DESCRIPTION	REV
	1001235834	Ref	BATTERIES INSTALLATION	A
1	0100051	AR	Grease, Terminal	
2	4240017	AR	Tie-Strap (Not Shown)	
3	1001235106	4	Battery	
100	1001228123	1	Battery Cable Kit (Not Shown)	
101	1060998	1	Cable, Positive to Negative	
102	4923328	1	Cable, Positive to Negative	
103	1001201708	1	Cable, Contactor to Pump Control B+	
104	1001201711	1	Cable, Battery Negative to Pump Control B-	
105	1001210401	1	Cable, Battery Fuse	
106	1001229110	1	Cable, Battery Positive to Contactor	

# SECTION 2 - GROUND CONTROLS

## FIGURE 2-12. BATTERIES INSTALLATION - STANDARD 6V-220AH



ART\_1001236632



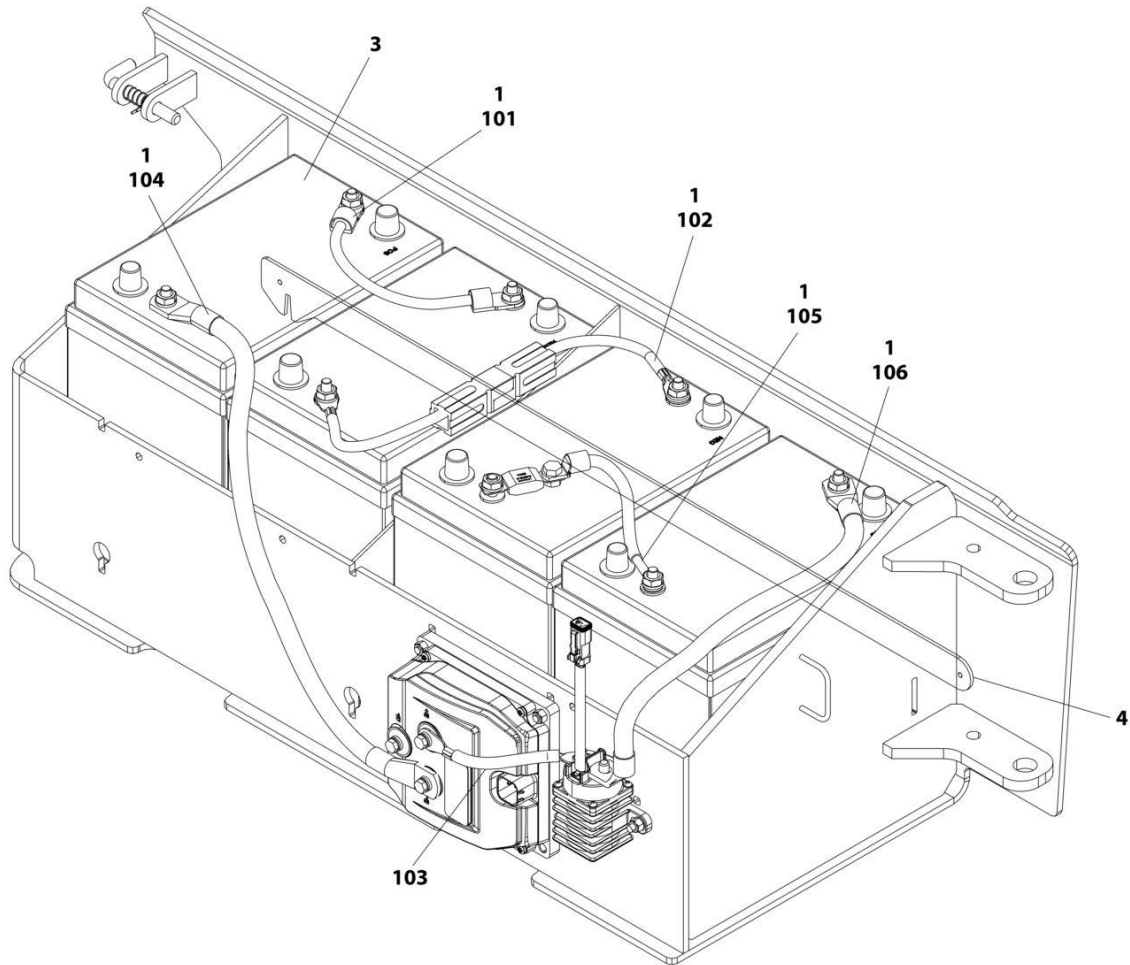
## SECTION 2 - GROUND CONTROLS

**FIGURE 2-12. BATTERIES INSTALLATION - STANDARD 6V-220AH**

ITEM	PART NUMBER	QTY	DESCRIPTION	REV
	1001236632	Ref	BATTERIES INSTALLATION	B
1	0100051	AR	Grease, Terminal	
2	4240017	AR	Tie-Strap (Not Shown)	
3	1001216180	4	Battery	
4	1001239269	1	Bar	
100	1001228123	1	Battery Cable Kit (Not Shown)	
101	1060998	1	Cable, Positive to Negative	
102	4923328	1	Cable, Positive to Negative	
103	1001201708	1	Cable, Contactor to Pump Control B+	
104	1001201711	1	Cable, Battery Negative to Pump Control B-	
105	1001210401	1	Cable, Battery Fuse	
106	1001229110	1	Cable, Battery Positive to Contactor	

# SECTION 2 - GROUND CONTROLS

## FIGURE 2-13. BATTERIES INSTALLATION - AGM 6V-220AH



ART\_1001237989

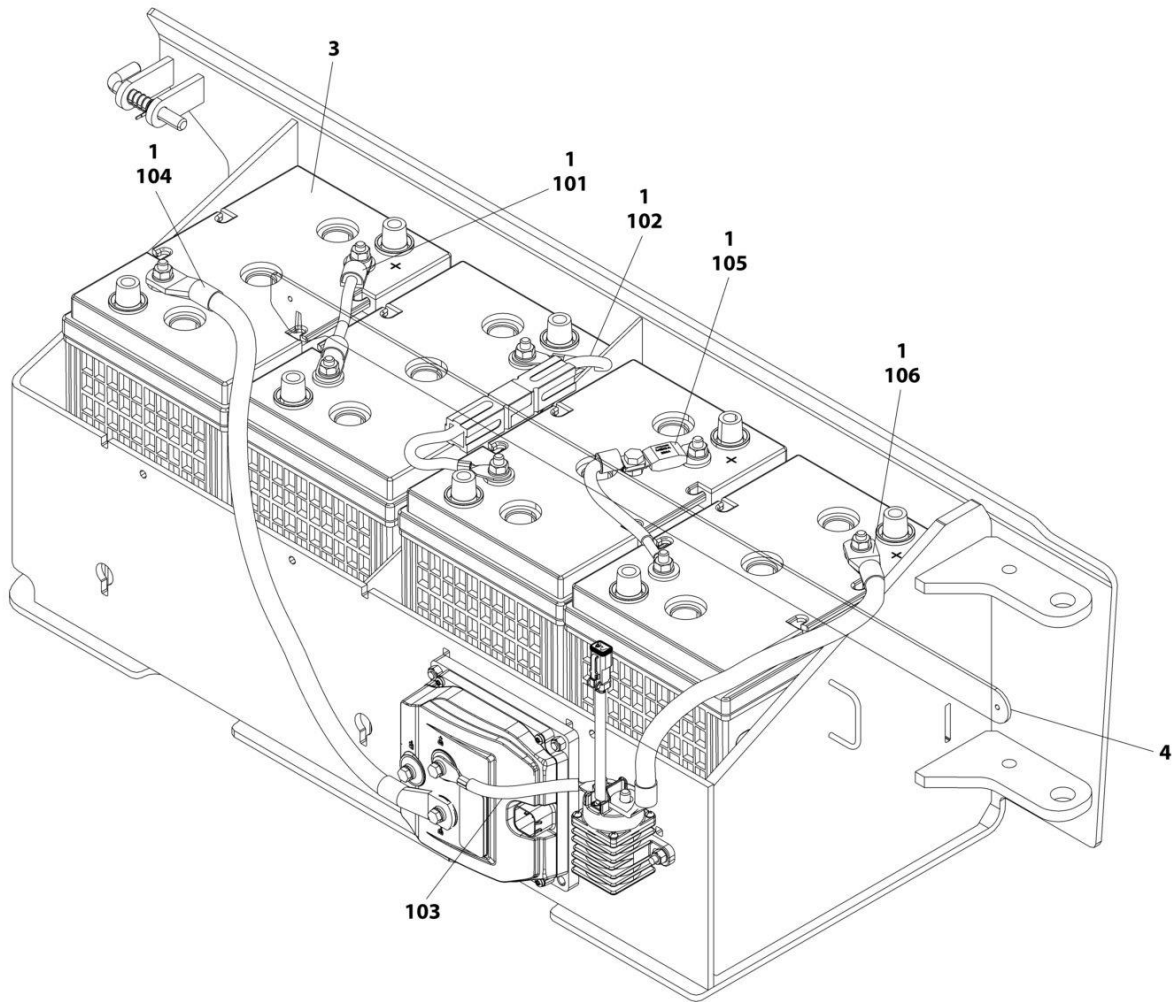
## SECTION 2 - GROUND CONTROLS

**FIGURE 2-13. BATTERIES INSTALLATION - AGM 6V-220AH**

ITEM	PART NUMBER	QTY	DESCRIPTION	REV
	1001237989	Ref	BATTERIES INSTALLATION	B
1	0100051	AR	Grease, Terminal	
2	4240017	AR	Tie-Strap (Not Shown)	
3	1001112112	4	Battery	
4	1001239269	1	Bar	
100	1001228123	1	Battery Cable Kit (Not Shown)	
101	1060998	1	Cable, Positive to Negative	
102	4923328	1	Cable, Positive to Negative	
103	1001201708	1	Cable, Contactor to Pump Control B+	
104	1001201711	1	Cable, Battery Negative to Pump Control B-	
105	1001210401	1	Cable, Battery Fuse	
106	1001229110	1	Cable, Battery Positive to Contactor	

## SECTION 2 - GROUND CONTROLS

FIGURE 2-14. BATTERIES INSTALLATION - AGM EVCG 6V-220AH



ART\_1001237991

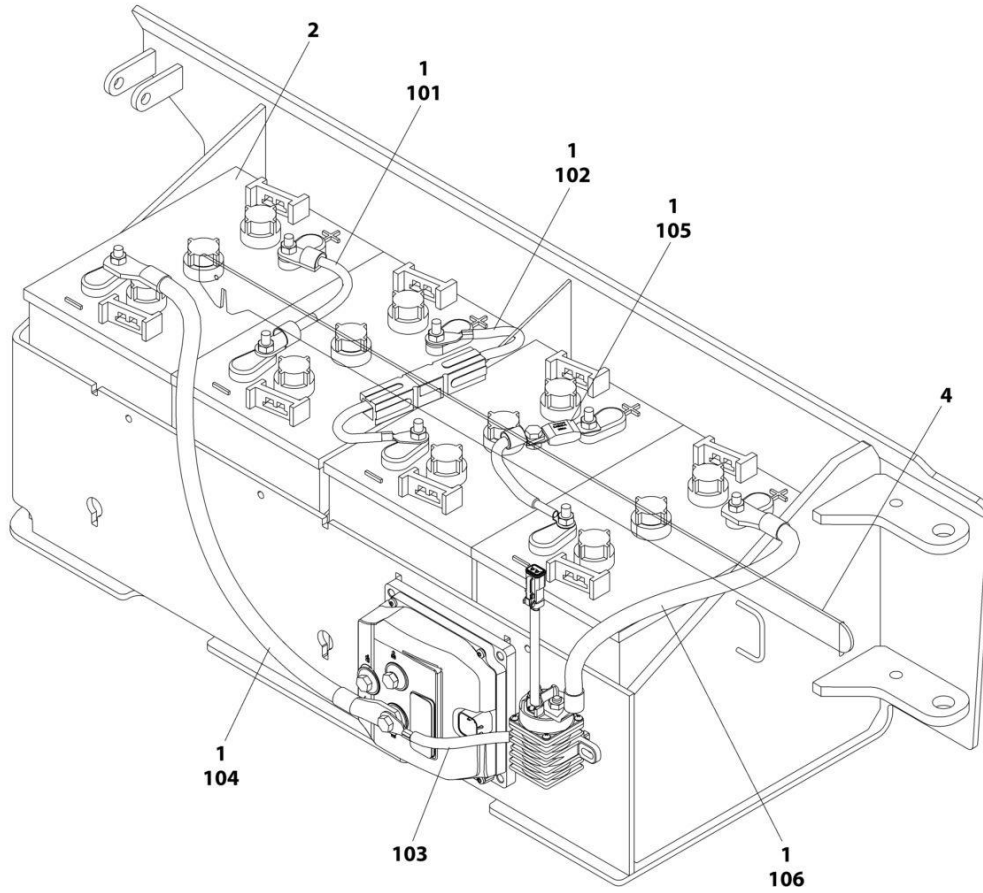
## SECTION 2 - GROUND CONTROLS

**FIGURE 2-14. BATTERIES INSTALLATION - AGM EVCG 6V-220AH**

ITEM	PART NUMBER	QTY	DESCRIPTION	REV
	1001237991	Ref	BATTERIES INSTALLATION	B
1	0100051	AR	Grease, Terminal	
2	4240017	AR	Tie-Strap (Not Shown)	
3	1001214347	4	Battery	
4	1001239269	1	Bar	
100	1001228123	1	Battery Cable Kit (Not Shown)	
101	1060998	1	Cable, Positive to Negative	
102	4923328	1	Cable, Positive to Negative	
103	1001201708	1	Cable, Contactor to Pump Control B+	
104	1001201711	1	Cable, Battery Negative to Pump Control B-	
105	1001210401	1	Cable, Battery Fuse	
106	1001229110	1	Cable, Battery Positive to Contactor	

# SECTION 2 - GROUND CONTROLS

## FIGURE 2-15. BATTERIES INSTALLATION - 6V-220AH (TROJAN)



ART\_1001249054

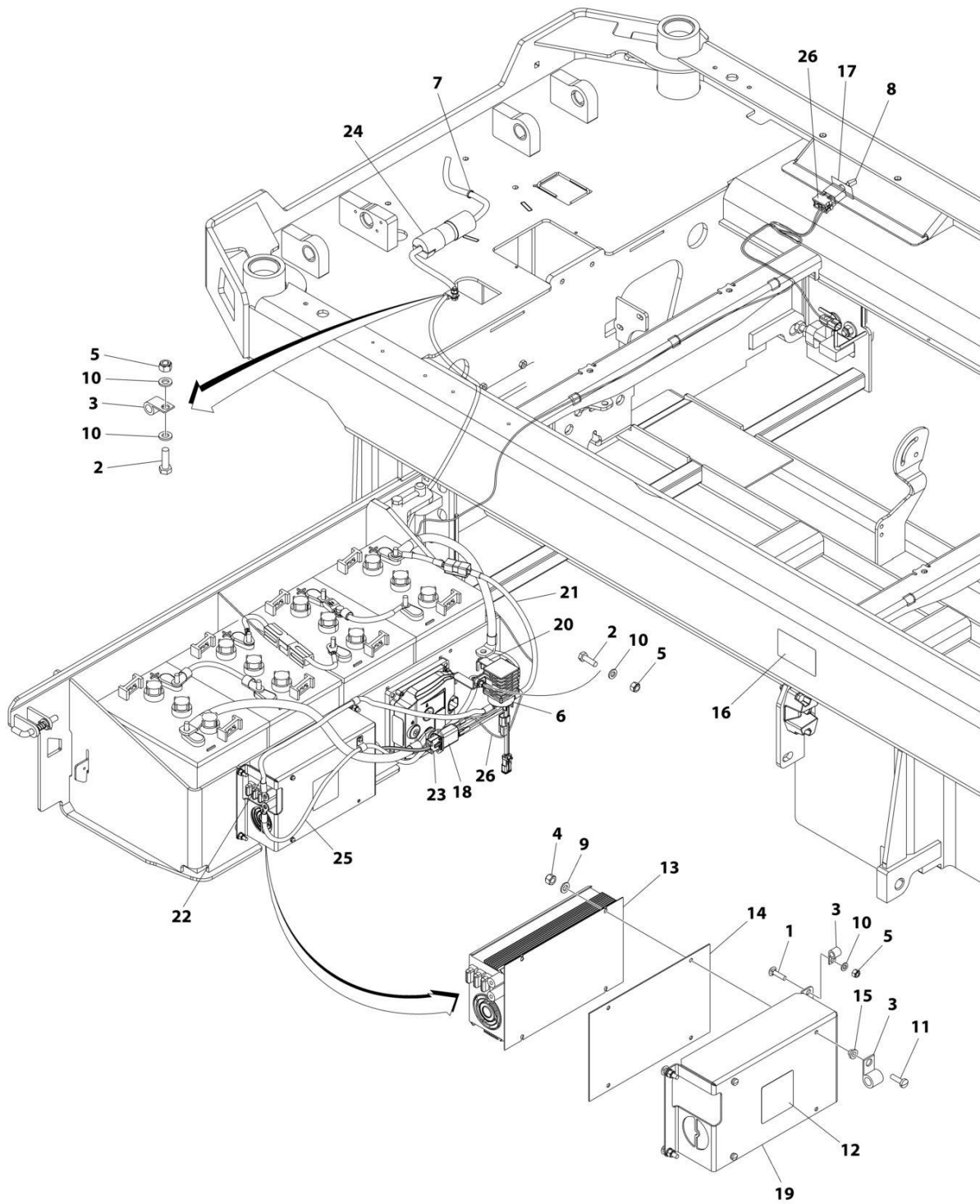
## SECTION 2 - GROUND CONTROLS

**FIGURE 2-15. BATTERIES INSTALLATION - 6V-220AH (TROJAN)**

ITEM	PART NUMBER	QTY	DESCRIPTION	REV
	1001249054	Ref	BATTERIES INSTALLATION	B
1	0100051	AR	Grease, Terminal	
2	1001258498	4	Battery	
3	4240017	AR	Tie-Strap (Not Shown)	
4	1001239269	1	Bar	
100	1001228123	1	Battery Cable Kit (Not Shown)	
101	1060998	1	Cable, Positive to Negative	
102	4923328	1	Cable, Positive to Negative	
103	1001201708	1	Cable, Contactor to Pump Control B+	
104	1001201711	1	Cable, Battery Negative to Pump Control B-	
105	1001210401	1	Cable, Battery Fuse	
106	1001229110	1	Cable, Battery Positive to Contactor	

# SECTION 2 - GROUND CONTROLS

## FIGURE 2-16. INVERTER INSTALLATION (OPTIONAL)



ART\_1001236132



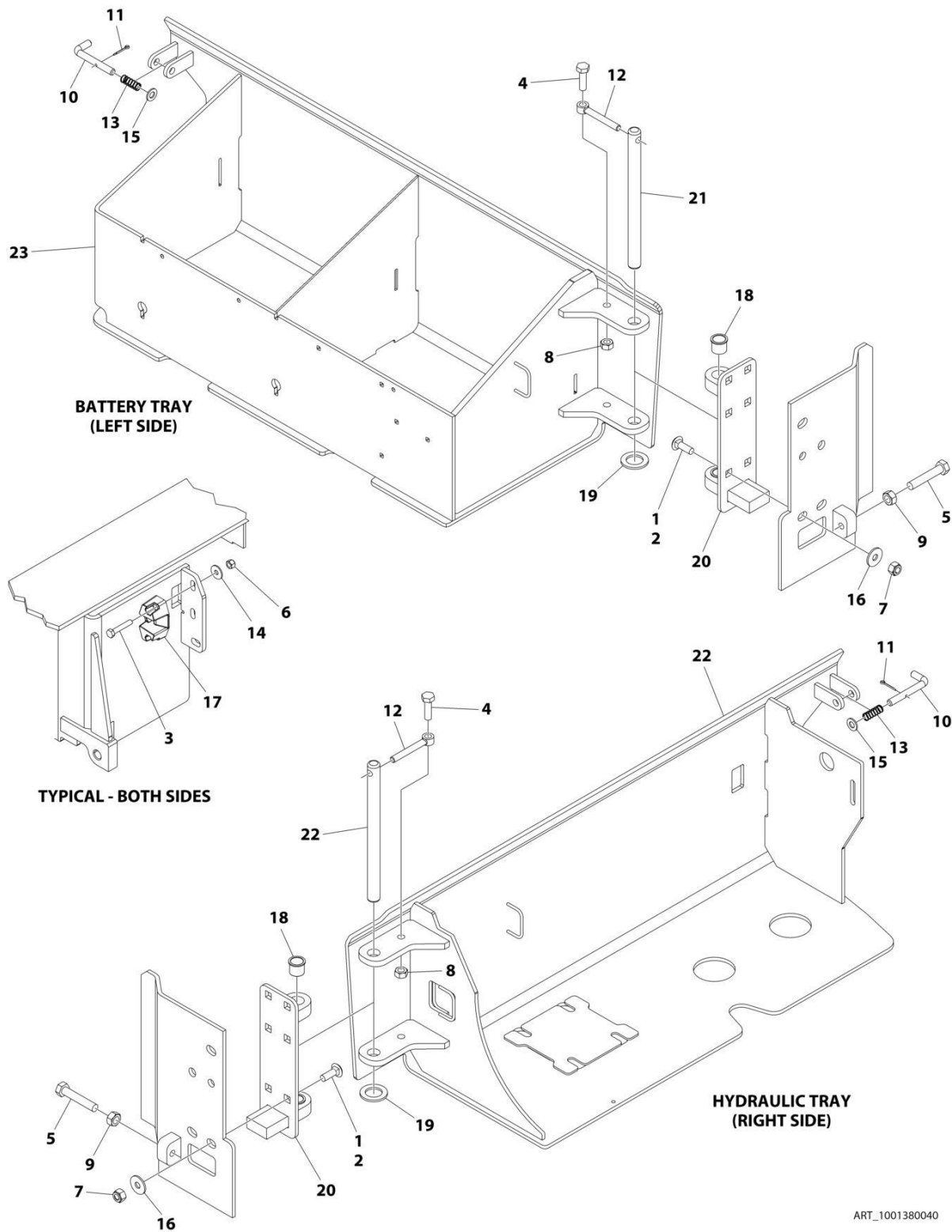
## SECTION 2 - GROUND CONTROLS

### FIGURE 2-16. INVERTER INSTALLATION (OPTIONAL)

ITEM	PART NUMBER	QTY	DESCRIPTION	REV
	1001236132	Ref	INVERTER INSTALLATION (OPTIONAL)	B
1	0630587	4	Bolt M6 x 25	
2	0760610	3	Bolt M6 x 20	
3	1321293	3	Clamp	
4	3290405	3	Nut M4	
5	3290605	7	Nut M6	
6	3740150	1	Relay	
7	4240017	AR	Tie-Strap	
8	4360336	1	Switch, Toggle	
9	4811400	3	Washer M4	
10	4811700	8	Washer M6	
11	1001101540	3	Screw M4 x 14	
12	1001125483	1	Decal - Pressure Wash	
13	1001136757	1	Inverter	
14	1001142173	1	Insulate	
15	1001142174	3	Washer 1/8	
16	1001143009	1	Decal - Inverter	
17	1001143010	1	Decal - On/Off Inverter	
18	1001157547	1	Filter, AC	
19	1001210440	1	Support	
20	1001210605	1	Support	
21	1001210878	1	Cable, Battery + to Inverter Contactor	
22	1001210879	1	Cable, Inverter Contactor to Inverter +	
23	1001210881	1	Cable, Inverter to AC Filter	
24	1001210882	1	Cable, AC Filter to AC Plug	
25	1001210967	1	Cable, Pump Control B- to Inverter	
26	1001235954	1	Inverter Harness	
26	4460897	2	Receptacle, Female - 2 Position	
26	4460464	3	Pin, Male	
26	4460466	1	Plug, Terminal	
26	4460418	1	Plug, Male - 6 Position	
26	4460419	2	Terminal	

# SECTION 2 - GROUND CONTROLS

## FIGURE 2-17. DOORS INSTALLATION



ART\_1001380040

## SECTION 2 - GROUND CONTROLS

### FIGURE 2-17. DOORS INSTALLATION

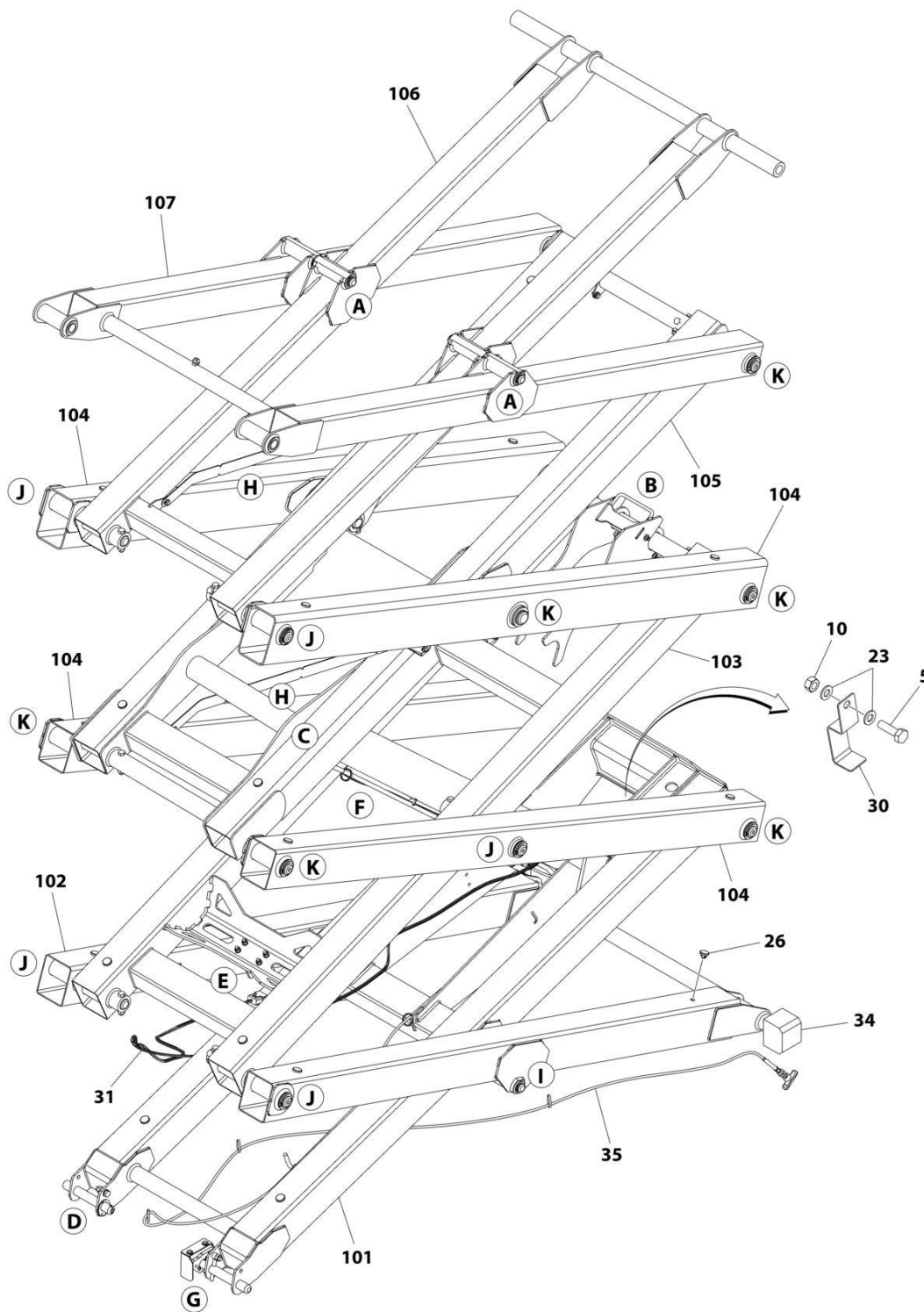
ITEM	PART NUMBER	QTY	DESCRIPTION	REV
	1001380040	Ref	DOORS INSTALLATION	B
1	0100011	AR	Compound, Locking	
2	0630613	10	Bolt M10 x 30	
3	0700817	4	Bolt M8 x 45	
4	0701015	2	Bolt M10 x 35	
5	0761221	2	Bolt M12 x 65	
6	3290805	4	Nut M8	
7	3291005	10	Nut M10	
8	3291007	2	Nut M10	
9	3291201	2	Nut M12	
10	3423243	2	Pin	
11	3450303	2	Pin, Cotter 3/32 x 3/4	
12	3841143	2	Keeper, Pin	
13	4160214	2	Spring	
14	4811902	4	Washer M8	
15	4812000	AR	Washer M10	
16	4812002	10	Washer M10	
17	1001214810	2	Support	
18	1001218573	4	Bearing	
19	1001229792	2	Washer	
20	1001234858	2	Hinge	
21	1001234862	2	Pin	
22	1001380041	1	Tray, Hydraulic	
23	1001380042	1	Tray, Battery	



**SECTION 3 - SCISSORS ARMS**

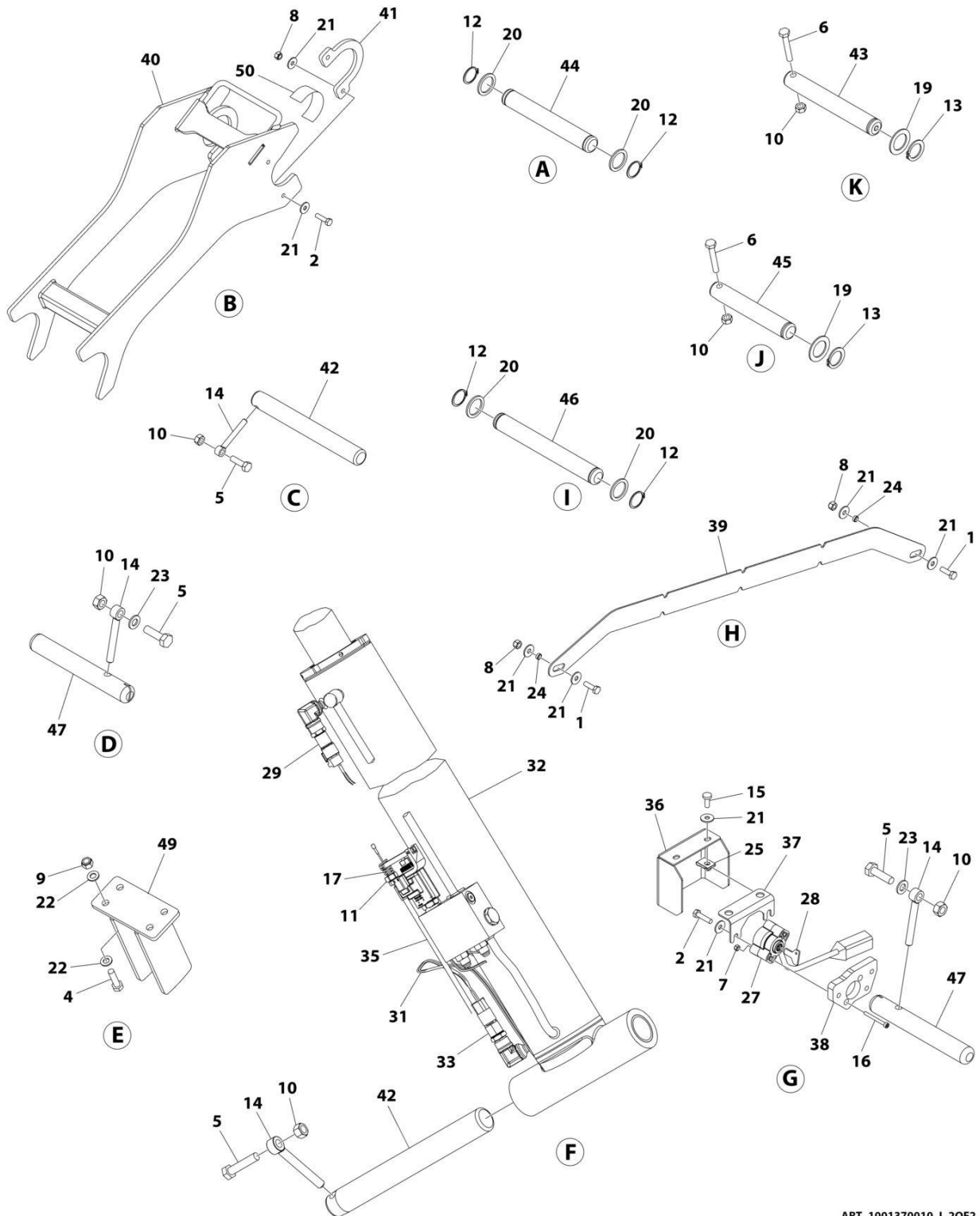
# SECTION 3 - SCISSORS ARMS

FIGURE 3-1. SCISSORS ARMS INSTALLATION - WITH DANFOSS PRESSURE TRANSDUCERS  
(MACHINES WITH SN STARTING WITH 12, B2, M2 & G2)



ART\_1001370010\_I\_10F2

# SECTION 3 - SCISSORS ARMS



ART\_1001370010\_I\_20F2

## SECTION 3 - SCISSORS ARMS

**FIGURE 3-1. SCISSORS ARMS INSTALLATION - WITH DANFOSS PRESSURE TRANSDUCERS  
(MACHINES WITH SN STARTING WITH 12, B2, M2 & G2)**

ITEM	PART NUMBER	QTY	DESCRIPTION	REV
	1001370010	Ref	SCISSORS ARMS INSTALLATION	I
1	0700610	4	Bolt M6 x 20	
2	0700612	7	Bolt M6 x 25	
4	0700814	4	Bolt M8 x 30	
5	0701015	5	Bolt M10 x 35	
6	0701021	16	Bolt M10 x 65	
7	3290405	2	Nut M4	
8	3290605	8	Nut M6	
9	3290805	4	Nut M8	
10	3291007	21	Nut M10	
11	3321402	1	Nut 1/4	
12	3760115	8	Ring, Retaining	
13	3760387	16	Ring, Retaining	
14	3841143	4	Keeper, Pin	
15	4010608	2	Screw M6 x 16	
16	4031512	2	Capscrew M4 x 40	
17	4160078	1	Spring	
18	4240017	AR	Tie-Strap (Not Shown)	
19	4740438	16	Washer	
20	4740531	8	Washer	
21	4811702	21	Washer M6	
22	4811900	8	Washer M8	
23	4812000	4	Washer M10	
24	1001128888	4	Washer	
25	1001130220	2	Nut Tinnerman M6	
26	1001137675	24	Bumper	
27	1001146963	1	Sensor, Angle	
28	1001205345	1	Key (Steel)	
28	1001234204	1	Key (Aluminun)	
29	1001225164	1	Sensor, Pressure Transducer	
30	1001226791	1	Bracket, Cable	
31	1001233795	1	Lift Down Harness (See Separate Breakdown in ELECTRICAL Section)	
32	1001244416	1	Lift Cylinder Assembly (See Separate Breakdown in CYLINDER Section)	
33	1001235104	1	Sensor, Pressure Transducer	
34	1001247707	2	Block, Side	
35	1001236269	1	Cable, Manual Descent	
36	1001236486	1	Cover	
37	1001236487	1	Plate	
38	1001236488	1	Plate	
39	1001237824	2	Plate	
40	1001238684	1	Arm, Prop	
41	1001239479	2	Plate	
42	1001239925	2	Pin	
43	1001239927	10	Pin	
44	1001239928	2	Pin	
45	1001239929	6	Pin	
46	1001239930	2	Pin	

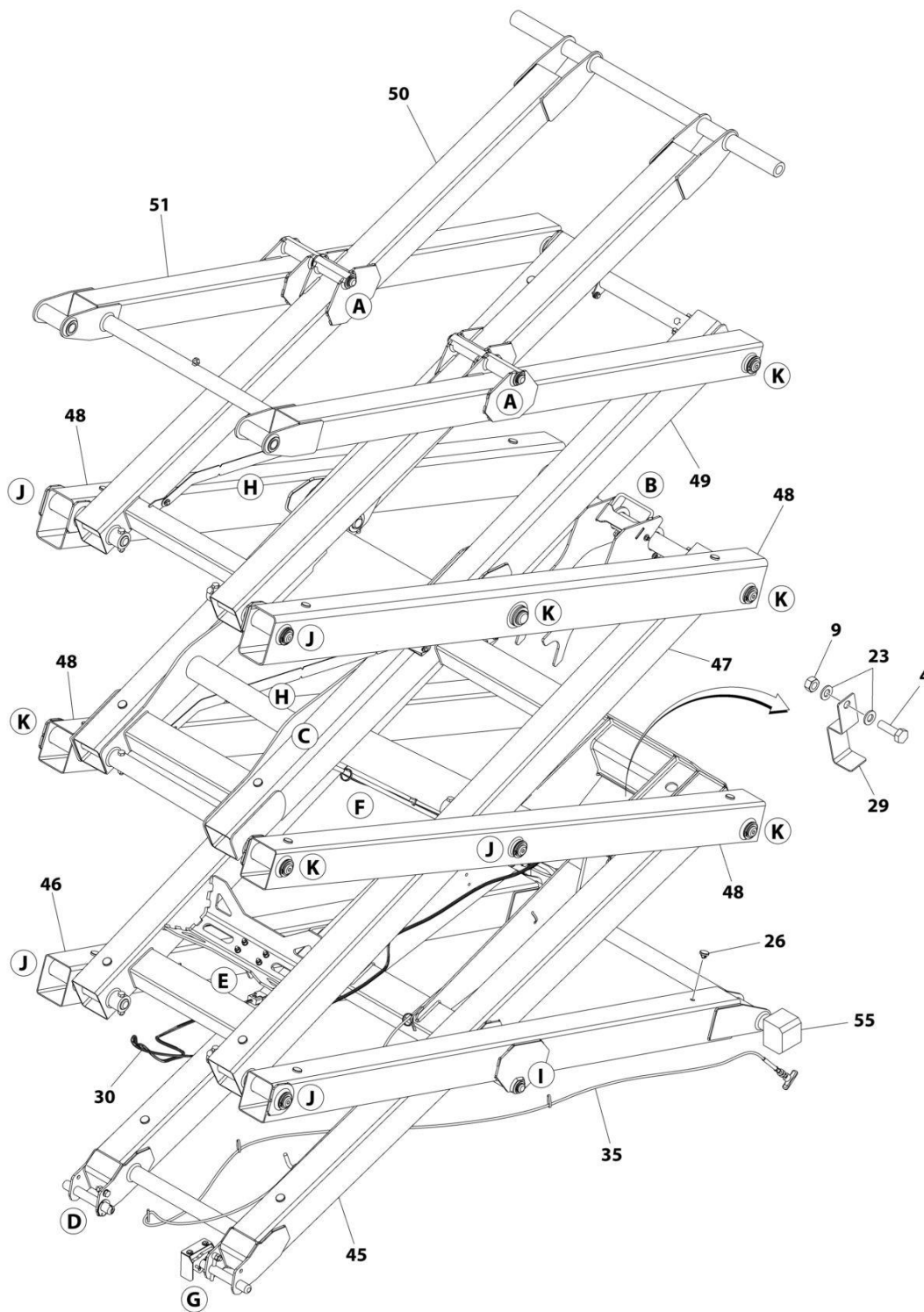


## SECTION 3 - SCISSORS ARMS

ITEM	PART NUMBER	QTY	DESCRIPTION	REV
47	1001239931	2	Pin	
49	1001246674	1	Adapter	
50	4420062	15 in/ 37cm	Tape	
100	1001241744	1	Arm Kit	
101	1001241737	1	Arm - Inner 1	
101	0440264	4	Bearing (Not Shown)	
102	1001241738	1	Arm - Outer 2	
102	0440264	4	Bearing - 1 ID (Not Shown)	
102	0440265	4	Bearing - 1-1/4 ID (Not Shown)	
103	1001241739	1	Arm - Inner 2	
104	1001241740	2	Arm - Outer 2 and Outer 3	
104	0440265	6	Bearing (Not Shown)	
105	1001241741	1	Arm - Inner 3	
106	1001241742	1	Arm - Inner 4	
106	0440264	4	Bearing (Not Shown)	
107	1001241743	1	Arm - Outer 4	
107	0440264	8	Bearing - 1 ID (Not Shown)	
107	0440265	4	Bearing - 1-1/4 ID (Not Shown)	
201	0440264	4	Bearing (Part of Frame) (Not Shown)	

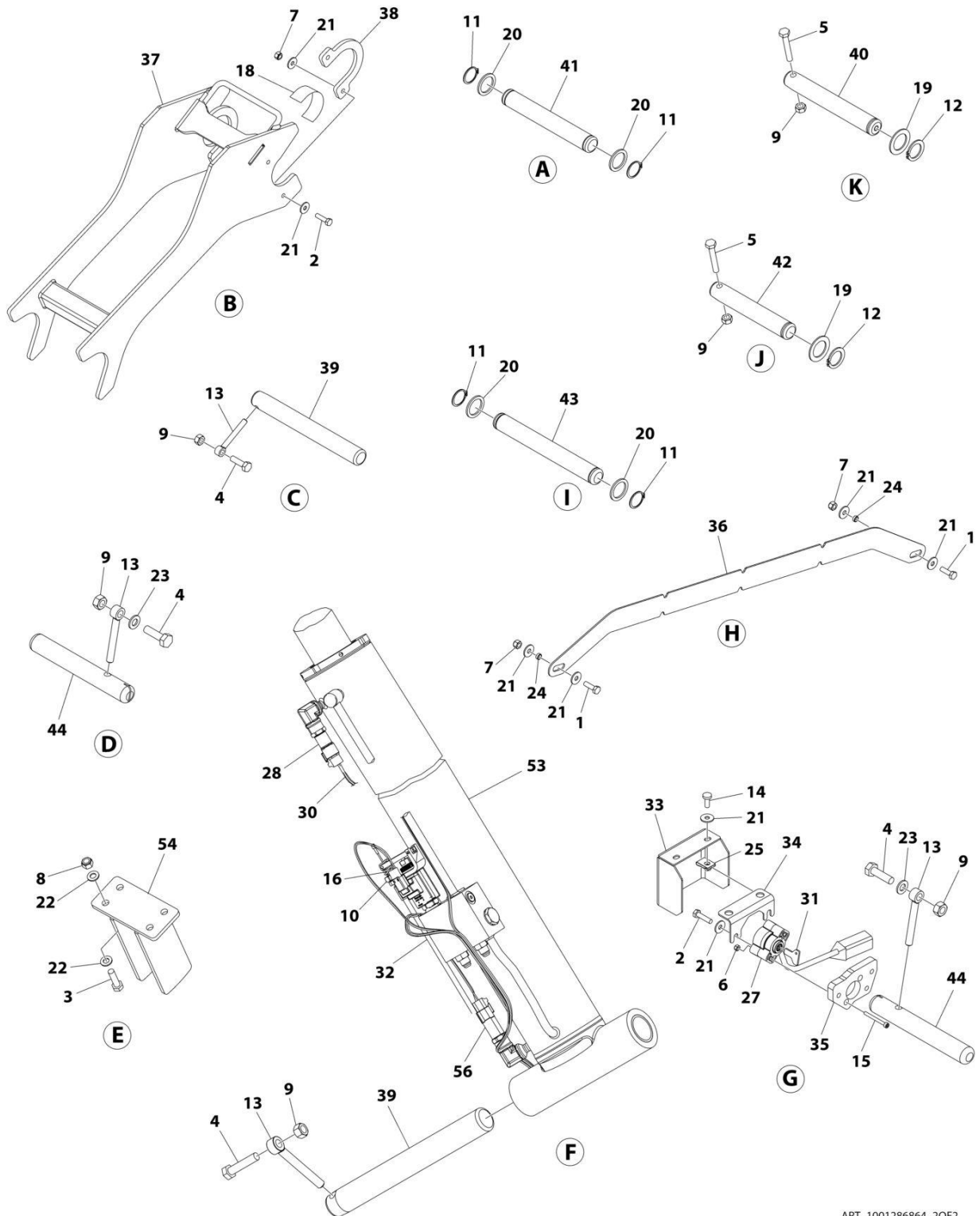
# SECTION 3 - SCISSORS ARMS

## FIGURE 3-2. SCISSORS ARMS INSTALLATION - WITH WIKA PRESSURE TRANSDUCERS (MACHINES WITH SN STARTING WITH M2)



ART\_1001286864\_1OF2

# SECTION 3 - SCISSORS ARMS



ART\_1001286864\_2OF2

## SECTION 3 - SCISSORS ARMS

**FIGURE 3-2. SCISSORS ARMS INSTALLATION - WITH WIKA PRESSURE TRANSDUCERS  
(MACHINES WITH SN STARTING WITH M2)**

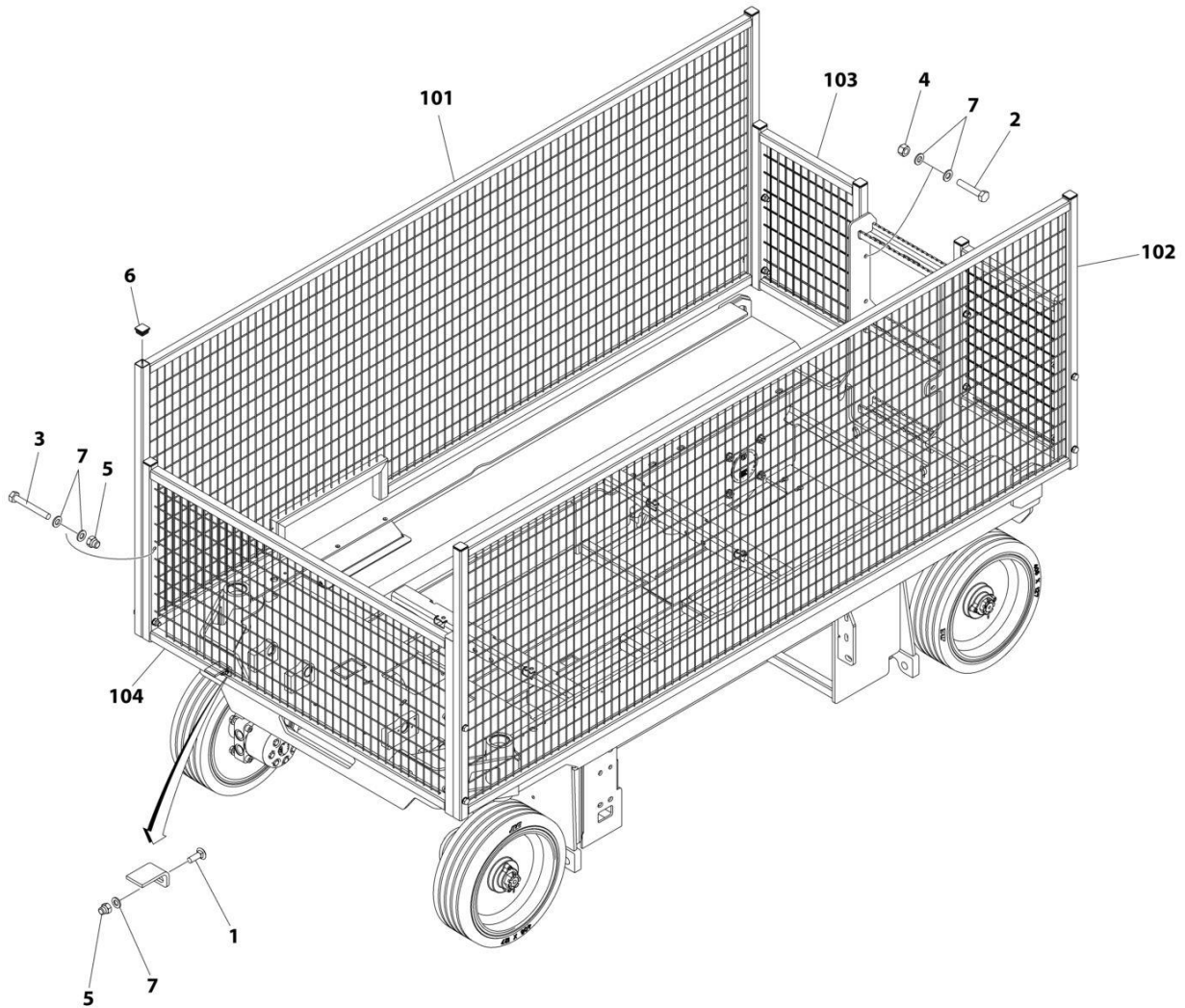
ITEM	PART NUMBER	QTY	DESCRIPTION	REV
	1001286864	Ref	SCISSOR ARMS INSTALLATION	B
1	0700610	4	Bolt M6 x 20	
2	0700612	7	Bolt M6 x 25	
3	0700814	4	Bolt M8 x 30	
4	0701015	5	Bolt M10 x 35	
5	0701021	16	Bolt M10 x 65	
6	3290405	2	Nut M4	
7	3290605	8	Nut M6	
8	3290805	4	Nut M8	
9	3291007	21	Nut M10	
10	3321402	1	Nut 1/4	
11	3760115	8	Ring, Retaining	
12	3760387	16	Ring, Snap	
13	3841143	4	Keeper, Pin	
14	4010608	2	Screw M6 x 16	
15	4031512	2	Capscrew M4 x 40	
16	4160078	1	Spring	
17	4240017	AR	Tie-Strap (Not Shown)	
18	4420062	15 in/37cm	Tape	
19	4740438	16	Washer M33	
20	4740531	8	Washer M35	
21	4811702	21	Washer M6	
22	4811900	8	Washer M8	
23	4812000	4	Washer M10	
24	1001128888	4	Washer, Actuator Throttle	
25	1001130220	2	Nut M6	
26	1001137675	24	Bumper	
27	1001146963	1	Sensor, Angle	
28	1001225164	1	Sensor, Pressure	
29	1001226791	1	Bracket	
30	1001233795	1	Harness, Lift Down (See Separate Breakdown in ELECTRICAL Section)	
31	1001234204	1	Key, Angle Sensor	
32	1001236269	1	Cable, Manual Descent	
33	1001236486	1	Plate	
34	1001236487	1	Plate	
35	1001236488	1	Plate	
36	1001237824	2	Plate	
37	1001238684	1	Arm, Prop	
38	1001239479	2	Plate, Arm Prop Retainer	
39	1001239925	2	Pin	
40	1001239927	10	Pin	
41	1001239928	2	Pin	
42	1001239929	6	Pin	
43	1001291264	2	Pin	
44	1001239931	2	Pin	
45	1001241737	1	Arm, Inboard	D
45	0440264	4	Bushing	

## SECTION 3 - SCISSORS ARMS

ITEM	PART NUMBER	QTY	DESCRIPTION	REV
46	1001241738	1	Arm, Outboard	E
46	0440264	4	Bushing (Inner)	
46	0440265	4	Bushing (Outter)	
47	1001241739	1	Arm, Inboard	
48	1001241740	4	Arm, Outboard	B
48	0440265	24	Bushing (6 per Arm)	
49	1001241741	1	Arm, Inboard	
50	1001241742	1	Arm, Inboard	D
50	0440264	4	Bushing	
51	1001241743	1	Arm, Outboard	C
51	0440264	8	Bushing (Inner)	
51	0440265	4	Bushing (Outter)	
52	1001241744	1	Arm, Weldment Kit (Includes items 45-51)	
53	1001244416	1	Lift Cylinder Assembly (See Separate Breakdown in CYLINDER Section)	
54	1001246674	1	Adapter	
55	1001247707	2	Block, Side	
56	1001285320	1	Sensor, Pressure Transducer	
57	1001285829	1	Harness, Jumper to Lift down (Not Shown) (See Separate Breakdown in ELECTRICAL Section)	

# SECTION 3 - SCISSORS ARMS

## FIGURE 3-3. ARM GUARDS INSTALLATION



ART\_1001239674

## SECTION 3 - SCISSORS ARMS

**FIGURE 3-3. ARM GUARDS INSTALLATION**

ITEM	PART NUMBER	QTY	DESCRIPTION	REV
	1001239674	Ref	ARM GUARD INSTALLATION	A
1	0630613	2	Bolt M10 x 30	
2	0701019	4	Bolt M10 x 55	
3	0701024	8	Bolt M10 x 80	
4	3291005	4	Nut M10	
5	3291006	10	Nut M10	
6	3520072	10	Plug	
7	4812000	26	Washer M10	
100	1001241352	1	Arm Guard Kit (Not Shown)	
101	1001239892	1	Guard, Arm (RH)	
102	1001239894	1	Guard, Arm (LH)	
103	1001241353	2	Guard, Arm (Rear)	
104	1001241358	1	Guard, Arm (Front)	

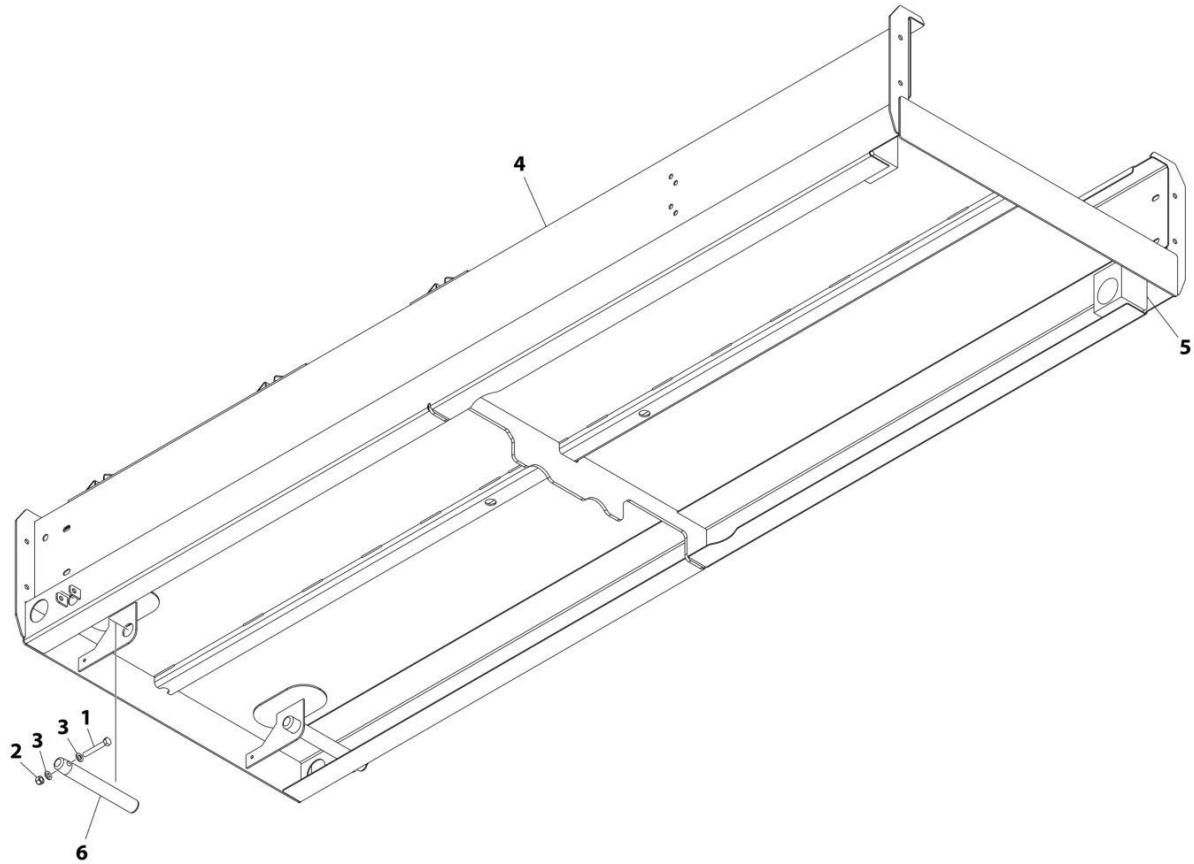




**SECTION 4 - PLATFORM**

# SECTION 4 - PLATFORM

## FIGURE 4-1. PLATFORM INSTALLATION



ART\_1001234384\_B

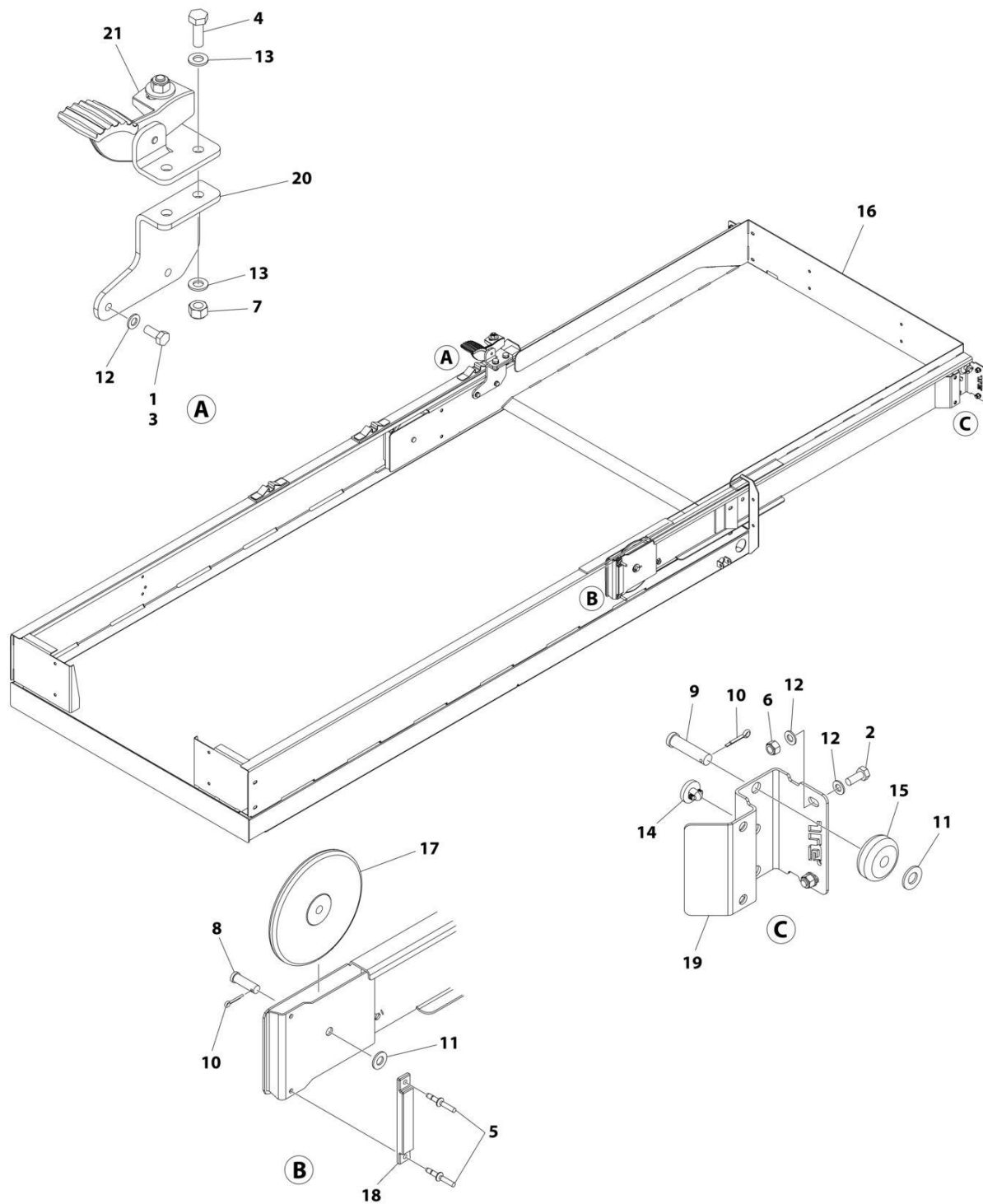
## SECTION 4 - PLATFORM

### FIGURE 4-1. PLATFORM INSTALLATION

ITEM	PART NUMBER	QTY	DESCRIPTION	REV
	1001234384	Ref	PLATFORM INSTALLATION	B
1	0700819	2	Bolt M8 x 55	
2	3290805	2	Nut M8	
3	4811900	4	Washer M8	
4	1001235555	1	Platform	
5	1001247706	2	Block, Slide	
6	1001239926	2	Pin	

# SECTION 4 - PLATFORM

## FIGURE 4-2. PLATFORM EXTENSION INSTALLATION



ART\_1001234385

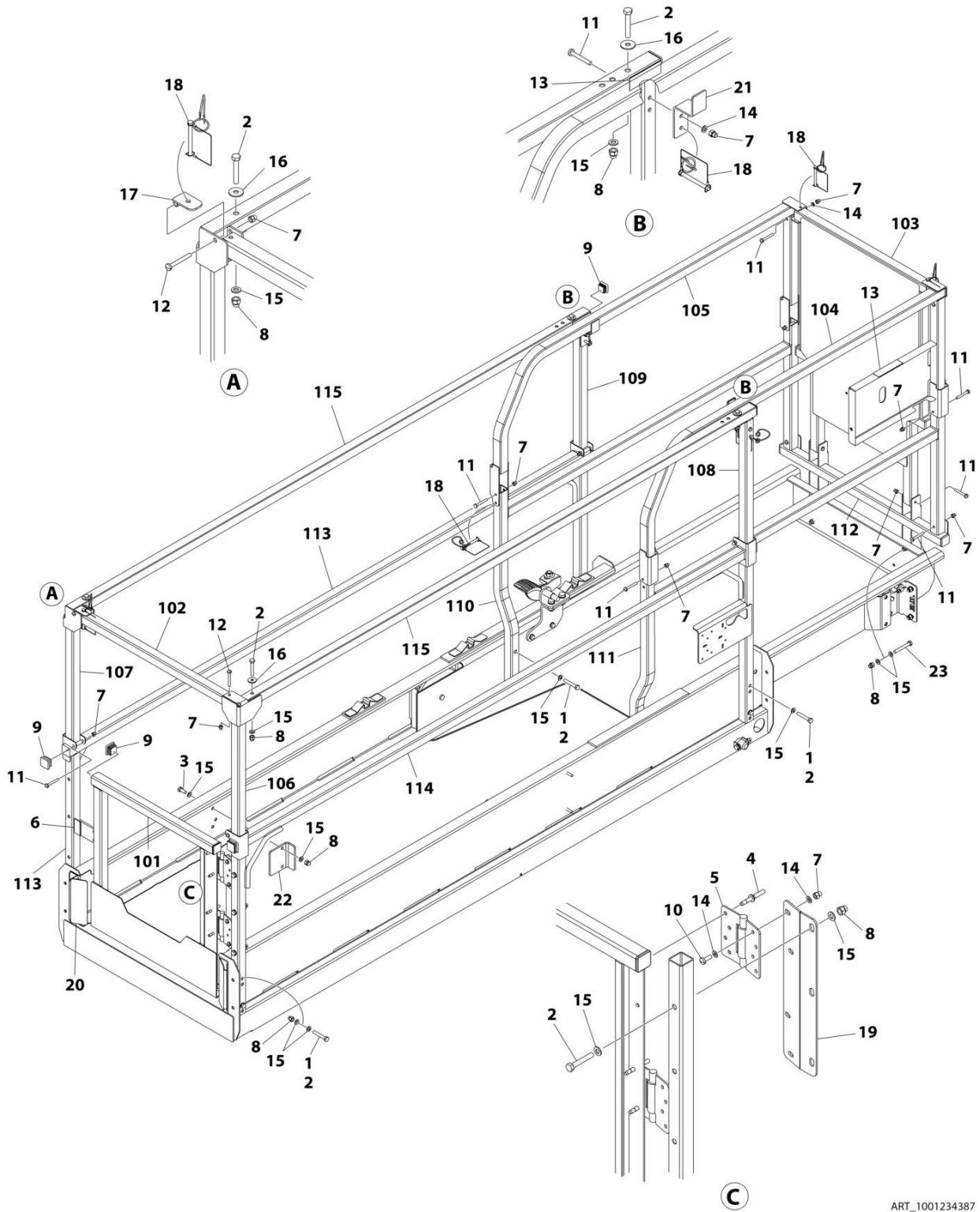
## SECTION 4 - PLATFORM

**FIGURE 4-2. PLATFORM EXTENSION INSTALLATION**

ITEM	PART NUMBER	QTY	DESCRIPTION	REV
	1001234385	Ref	PLATFORM EXTENSION INSTALLATION	A
1	0100011	AR	Compound, Locking	
2	0760810	4	Bolt M8 x 20	
3	0760812	2	Bolt, M8 x 25	
4	0761014	2	Bolt M10 x 30	
5	2080040	4	Fastener	
6	3290805	4	Nut M8	
7	3291005	2	Nut M10	
8	3430814	2	Pin	
9	3430816	2	Pin	
10	3450403	4	Pin, Cotter	
11	4711800	4	Washer 1/2	
12	4811900	10	Washer M8	
13	4812000	4	Washer M10	
14	1001137675	2	Bumper	
15	1001205422	2	Roller (Front)	
16	1001205424	1	Extension, Platform	
17	1001205430	2	Roller (Rear)	
18	1001208852	2	Pad	
19	1001210064	2	Support	
20	1001213838	1	Bracket	
21	1001234407	1	Latch Assembly	

# SECTION 4 - PLATFORM

## FIGURE 4-3. RAILS INSTALLATION (SIDE BY SIDE)



ART\_1001234387

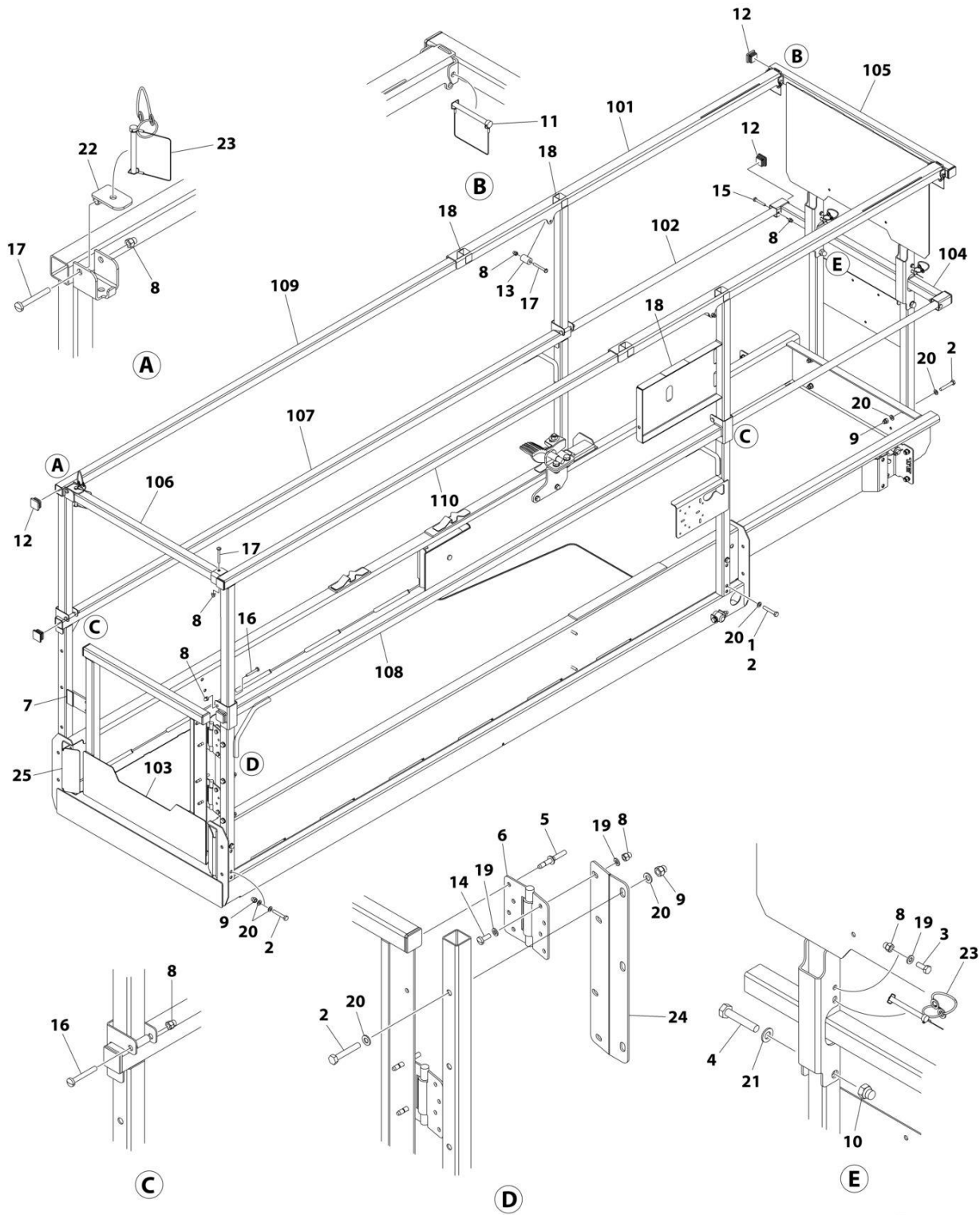
## SECTION 4 - PLATFORM

**FIGURE 4-3. RAILS INSTALLATION (SIDE BY SIDE)**

ITEM	PART NUMBER	QTY	DESCRIPTION	REV
	1001234387	Ref	RAILS INSTALLATION (SIDE BY SIDE)	F
1	0100011	AR	Compound, Locking	
2	0700818	19	Bolt M8 x 50	
3	0760810	2	Bolt M8 x 20	
4	2080040	4	Fastener	
5	2600281	2	Hinge	
6	3080007	1	Magnet, Gate	
7	3290606	22	Nut M6	
8	3290806	17	Nut M8	
9	3520072	12	Plug	
10	4010608	4	Screw M6 x 16	
11	4010617	16	Screw M6 x 45	
12	4010618	2	Screw M6 x 50	
13	4420062	15 in/ 37cm	Tape	
14	4811700	12	Washer M6	
15	4811900	42	Washer M8	
16	4811902	4	Washer M8	
17	1001154378	1	Bracket	
18	1001187587	6	Pin, Snap with Lanyard	
19	1001210586	1	Support	
20	1001210963	2	Cover	
21	1001232257	2	Brace	
22	1001232622	1	Bracket	
23	0700820	4	Bolt M8 x 60	
24	1001156186	4	Plug, Hole	
100	1001236624	1	Rail Kit (Not Shown)	
101	1001210302	1	Gate	
102	1001210458	1	Tube, Rear Top	
103	1001229732	1	Rail, Extension Front (Upper)	
104	1001229733	1	Rail, Extension Side (RH)	
105	1001229734	1	Rail, Extension Side (LH)	
106	1001229739	1	Rail Rear (Upper RH)	
107	1001229740	1	Rail Rear (Upper LH)	
108	1001229741	1	Rail Front (Upper RH)	
109	1001229742	1	Rail Front (Upper LH)	
110	1001230248	1	Tube, Rail (Lower LH)	
111	1001230249	1	Tube, Rail (Lower RH)	
112	1001231405	1	Tube, Extension (Lower)	
113	1001234006	1	Rail Rear (Lower LH)	
114	1001234007	1	Rail Rear (Lower RH)	
115	1001235286	2	Rail, Side Top	

# SECTION 4 - PLATFORM

## FIGURE 4-4. RAILS INSTALLATION (TUBE IN TUBE)



ART\_1001234386



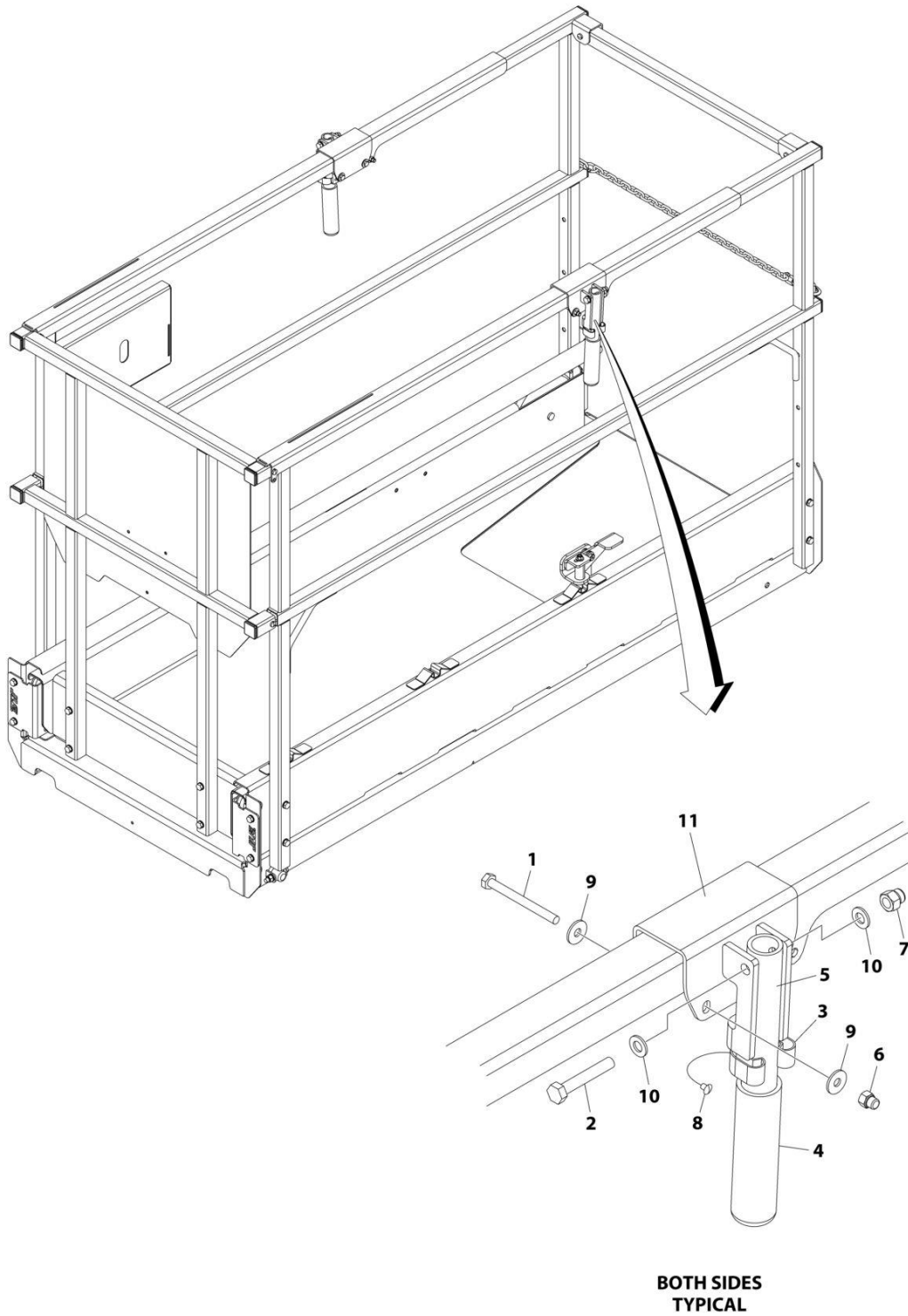
## SECTION 4 - PLATFORM

**FIGURE 4-4. RAILS INSTALLATION (TUBE IN TUBE)**

ITEM	PART NUMBER	QTY	DESCRIPTION	REV
	1001234386	Ref	RAILS INSTALLATION (TUBE IN TUBE)	D
1	0100011	AR	Compound, Locking	
2	0700818	15	Bolt M8 x 50	
3	0760608	2	Bolt M6 x 16	
4	0761019	2	Bolt M10 x 55	
5	2080040	4	Fastener	
6	2600281	2	Hinge	
7	3080007	1	Magnet, Gate	
8	3290606	16	Nut M6	
9	3290806	11	Nut M8	
10	3291006	2	Nut M10	
11	3422219	2	Pin, Snap	
12	3520072	10	Plug	
13	3860111	2	Roller	
14	4010608	4	Screw M6 x 16	
15	4010616	2	Screw M6 x 40	
16	4010617	4	Screw M6 x 45	
17	4010618	4	Screw M6 x 50	
18	4420062	16 in/ 40cm	Tape	
19	4811700	10	Washer M6	
20	4811900	30	Washer M8	
21	4812000	2	Washer M10	
22	1001154378	1	Bracket	
23	1001187587	3	Pin, Snap with Lanyard	
24	1001210586	1	Support	
25	1001210963	2	Cover	
100	1001236623	1	Rail Kit (Not Shown)	
101	1001206225	1	Rail, Extension Top	
102	1001206226	1	Rail, Extension MID	
103	1001210302	1	Gate	
104	1001210446	1	Rail, Extension MID Front	
105	1001210447	1	Rail, Extension Top Front	
106	1001210458	1	Tube, Rear Top	
107	1001234006	1	Rail, Side MID (LH)	
108	1001234007	1	Rail, Side MID (RH)	
109	1001234141	1	Rail, Side Top (LH)	
110	1001234142	1	Rail, Side Top (RH)	

# SECTION 4 - PLATFORM

## FIGURE 4-5. EXTENSION HANDLES INSTALLATION (OPTIONAL)



ART\_1001222587

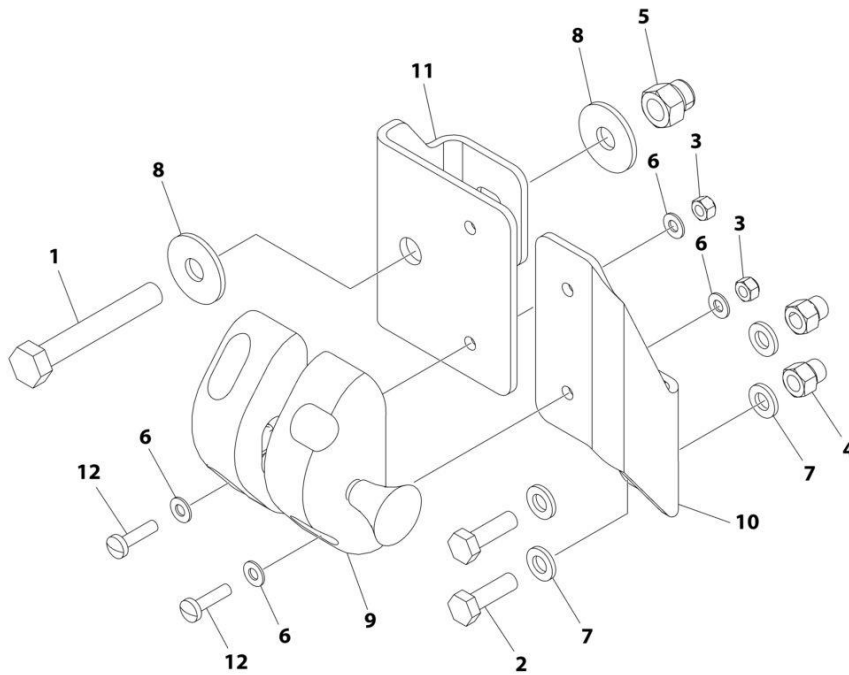
## SECTION 4 - PLATFORM

**FIGURE 4-5. EXTENSION HANDLES INSTALLATION (OPTIONAL)**

ITEM	PART NUMBER	QTY	DESCRIPTION	REV
	1001222587	Ref	HANDLE EXTENSION INSTALLATION (OPTIONAL)	B
1	0700621	4	Bolt M6 x 65	
2	0700818	2	Bolt M8 x 50	
3	1380132	2	Clip	
4	2560088	2	Grip, Handle	
5	2560190	2	Handle	
6	3290606	2	Nut M6	
7	3290806	2	Nut M8	
8	3820019	2	Rivet	
9	4811702	8	Washer M6	
10	4811900	4	Washer M8	
11	1001216823	2	Bracket	

# SECTION 4 - PLATFORM

## FIGURE 4-6. GATE LATCH INSTALLATION - OPTIONAL



ART\_1001220995

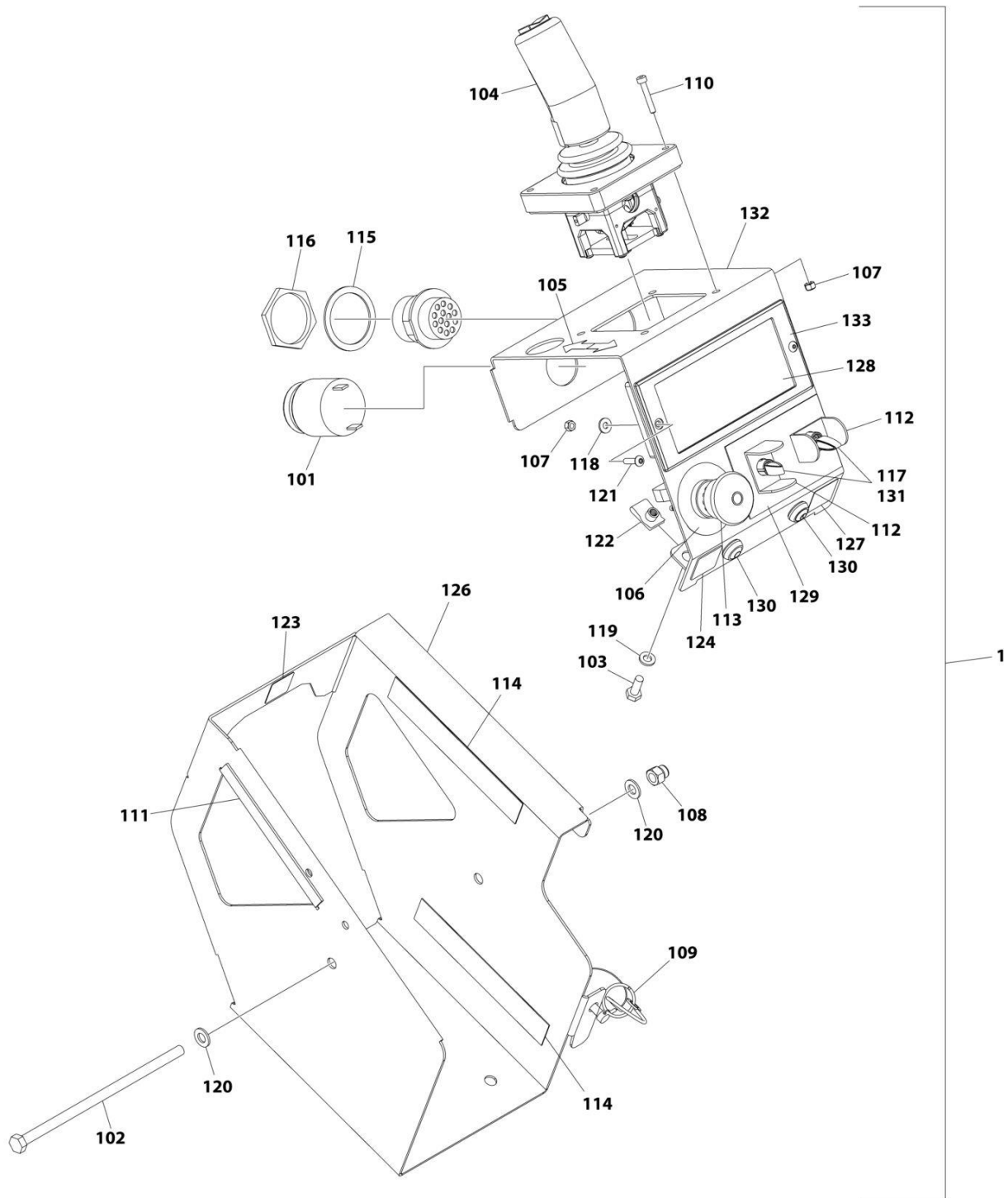
## SECTION 4 - PLATFORM

### FIGURE 4-6. GATE LATCH INSTALLATION - OPTIONAL

ITEM	PART NUMBER	QTY	DESCRIPTION	REV
	1001220995	Ref	GATE LATCH INSTALLATION	B
1	0700819	1	Bolt M8 x 55	
2	0760610	2	Bolt M6 x 20	
3	3290405	4	Nut M4	
4	3290606	2	Nut M6	
5	3290806	1	Nut M8	
6	4811400	8	Washer M4	
7	4811700	4	Washer M6	
8	4811902	2	Washer M8	
9	1001134821	1	Latch	
10	1001220409	1	Mount	
11	1001220410	1	Plate	
12	4010408	4	Screw M4 x 16	

# SECTION 4 - PLATFORM

## FIGURE 4-7. PLATFORM CONSOLE INSTALLATION (ALL SPECS)



ART\_1001274659

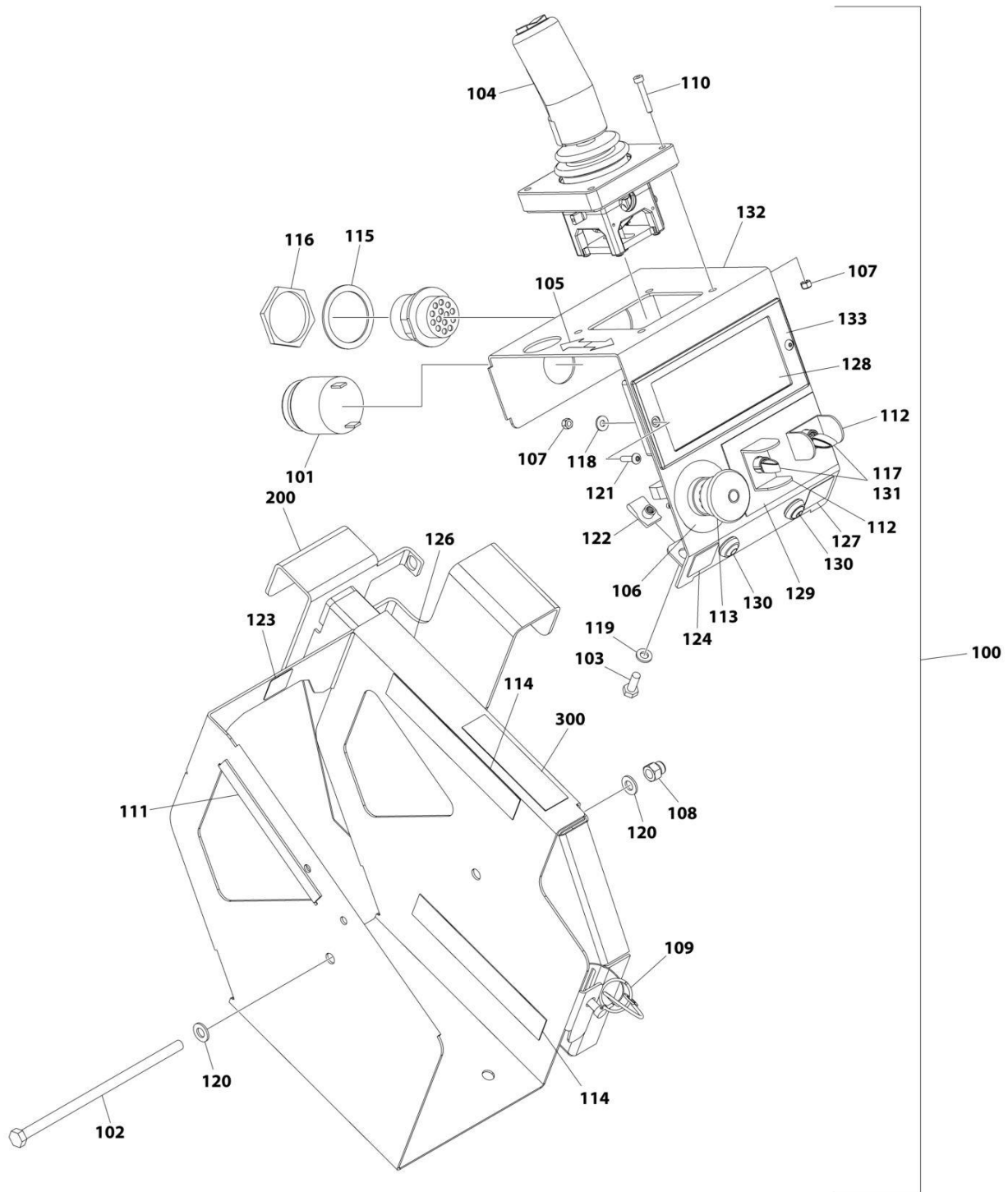
## SECTION 4 - PLATFORM

**FIGURE 4-7. PLATFORM CONSOLE INSTALLATION (ALL SPECS)**

ITEM	PART NUMBER	QTY	DESCRIPTION	REV
	1001274659	Ref	PLATFORM CONTROL INSTALLATION (LED)	A
1	1001274604	1	Platform Control Box	B
101	0140030	1	Alarm	
102	0700835	1	Bolt M8 x 180	
103	0760610	2	Bolt M6 x 20	
104	1600402	1	Controller Assembly (See Separate Breakdown in this Section)	
105	1703819	1	Decal - Arrow	
106	1704260	1	Decal - Emergency Stop	
107	3290405	6	Nut M4	
108	3290806	1	Nut M8	
109	3423278	1	Pin, Snap with Lanyard	
110	4031509	4	Capscrew M4 x 25	
111	4060803	6 in/ 14cm	Flex-Trim	
112	4060906	2	Guard, Switch	
113	4360475	1	Switch, Emergency Stop	
113	7020175	1	Cap	
113	7020176	1	Block, Contact	
114	4420062	12 in/ 30cm	Tape	
115	4460496	1	Washer, Terminal	
116	4460497	1	Nut, Terminal	
117	4711700	2	Washer 7/16	
118	4811400	2	Washer M4	
119	4811700	2	Washer M6	
120	4811900	2	Washer M8	
121	1001047064	2	Screw M4 x 15	
122	1001130220	2	Nut, Tinnerman M6	
123	1001132358	1	Decal - Steer	
124	1001132361	1	Decal - Horn	
125	1001200819	1	Platform Control Box Harness (Not Shown) (See Separate Breakdown in ELECTRICAL Section)	
126	1001209596	1	Plate, Box (Outside)	
127	1001213886	1	Decal - Indoor/Outdoor	
128	1001218285	1	Decal - Platform Control	
129	1001220893	1	Decal - Lift/Drive Function	
130	1001226749	2	Switch, Push Button	
131	1001258446	2	Switch, Toggle	
132	1001262655	1	Plate, Box (Inside)	
133	1001274605	1	Module, Platform Control	

# SECTION 4 - PLATFORM

## FIGURE 4-8. PLATFORM CONSOLE INSTALLATION (ALL SPECS) (FRONT MOUNTING)



ART\_1001283131



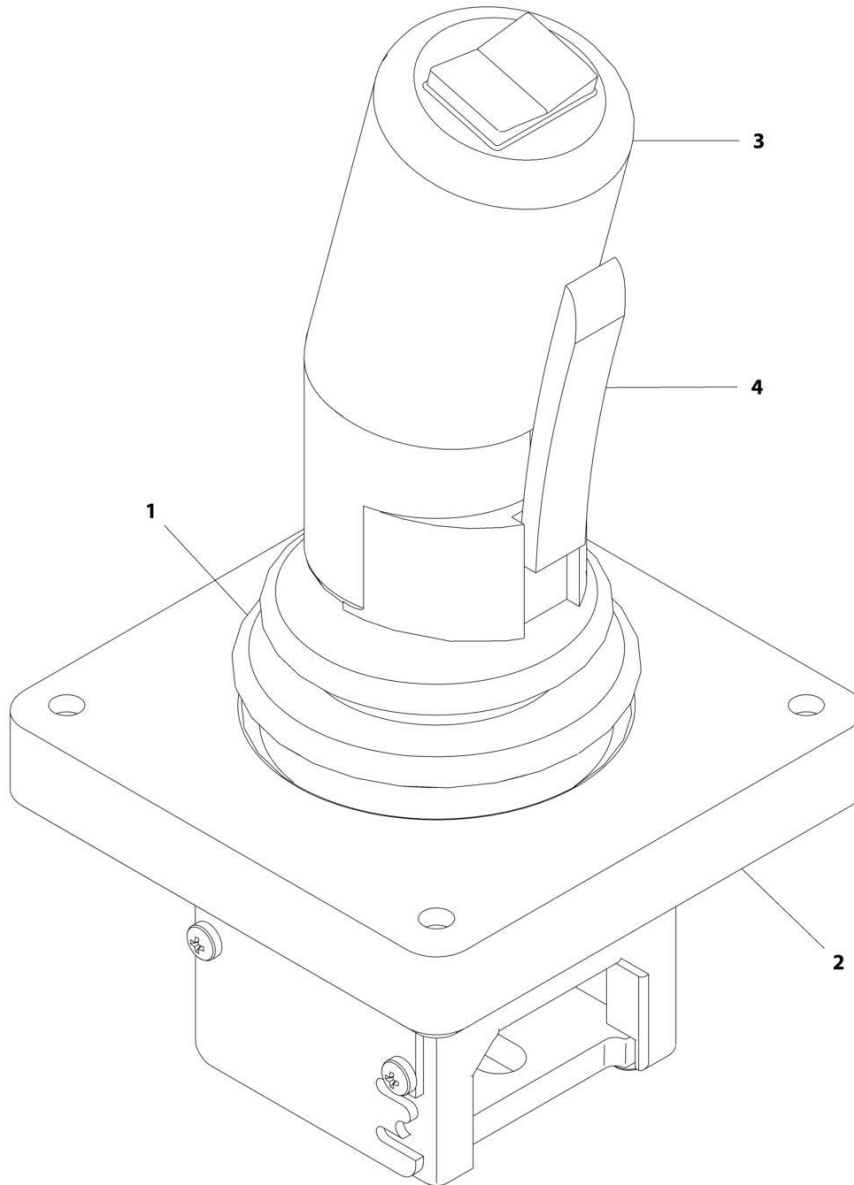
## SECTION 4 - PLATFORM

**FIGURE 4-8. PLATFORM CONSOLE INSTALLATION (ALL SPECS) (FRONT MOUNTING)**

ITEM	PART NUMBER	QTY	DESCRIPTION	REV
	1001283131	Ref	PLATFORM CONTROL INSTALLATION	A
100	1001274604	1	Platform Control Box	A
101	0140030	1	Alarm	
102	0700835	1	Bolt M8 x 180	
103	0760610	2	Bolt M6 x 20	
104	1600402	1	Controller Assembly (See Separate Breakdown in this Section)	
105	1703819	1	Decal - Arrow	
106	1704260	1	Decal - Emergency Stop	
107	3290405	6	Nut M4	
108	3290806	1	Nut M8	
109	3423278	1	Pin, Snap with Lanyard	
110	4031509	4	Capscrew M4 x 25	
111	4060803	6 in/14cm	Flex-Trim	
112	4060906	2	Guard, Switch	
113	4360475	1	Switch, Emergency Stop	
113	7020175	1	Cap	
113	7020176	1	Block, Contact	
114	4420062	12 in/30cm	Tape	
115	4460496	1	Washer, Terminal	
116	4460497	1	Nut, Terminal	
117	4711700	2	Washer 7/16	
118	4811400	2	Washer M4	
119	4811700	2	Washer M6	
120	4811900	2	Washer M8	
121	1001047064	2	Screw M4 x 15	
122	1001130220	2	Nut, Tinnerman M6	
123	1001132358	1	Decal - Steer	
124	1001132361	1	Decal - Horn	
125	1001200819	1	Platform Control Box Harness (Not Shown) (See Separate Breakdown in ELECTRICAL Section)	
126	1001209596	1	Plate, Box (Outside)	
127	1001213886	1	Decal - Indoor/Outdoor	
128	1001218285	1	Decal - Platform Control	
129	1001220893	1	Decal - Lift/Drive Function	
130	1001226749	2	Switch, Push Button	
131	1001258446	2	Switch, Toggle	
132	1001262655	1	Plate, Box (Inside)	
133	1001274605	1	Module, Platform Control	
200	1001283451	1	Bracket	
300	4420062	10 in/25cm	Tape	

# SECTION 4 - PLATFORM

## FIGURE 4-9. DRIVE/STEER CONTROLLER ASSEMBLY



ART\_1600402

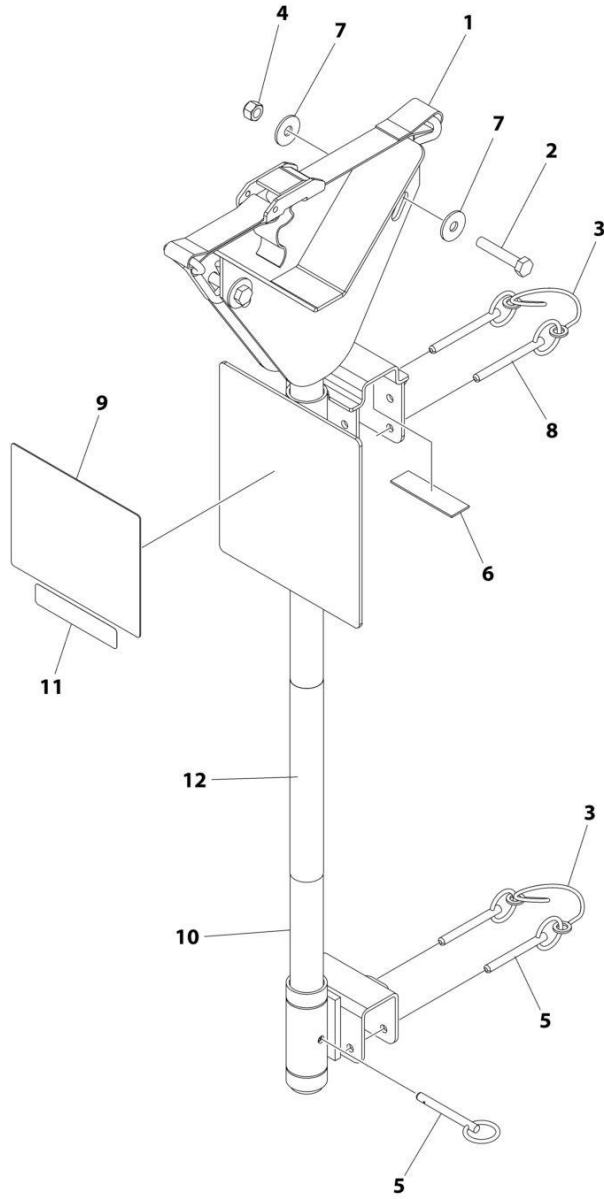
## SECTION 4 - PLATFORM

**FIGURE 4-9. DRIVE/STEER CONTROLLER ASSEMBLY**

ITEM	PART NUMBER	QTY	DESCRIPTION	REV
	1600402	Ref	DRIVE/STEER CONTROLLER ASSEMBLY	A
1	70001250	1	Boot, Panel	
2	70001252	1	Gasket, Mounting	
2	70001251	1	Bezel, Mounting	
3	70003650	1	Handle Repair Kit (Includes handle gasket, item#4 push button and item #4 lever installed in front handle half, back handle half, top actuator, boot and hardware.)	
3	70000084	1	Cap, Rubber	
3	70000082	1	Microswitch	
3	7027766	1	Ring, Retaining	
3	7027365	1	Actuator, Handle	
3	70001253	1	Gasket, Handle	
3	70000683	4	Washer, Neoprene	
3	70000685	2	Spacer, Plastic	
3	70000686	2	Screw (Top)	
3	70000684	2	Screw (Bottom)	
4	7027367	1	Switch, Push Button	
4	7027765	1	Lever, Enable	

# SECTION 4 - PLATFORM

## FIGURE 4-10. PIPE RACKS INSTALLATION (OPTIONAL)



ART\_1001270855

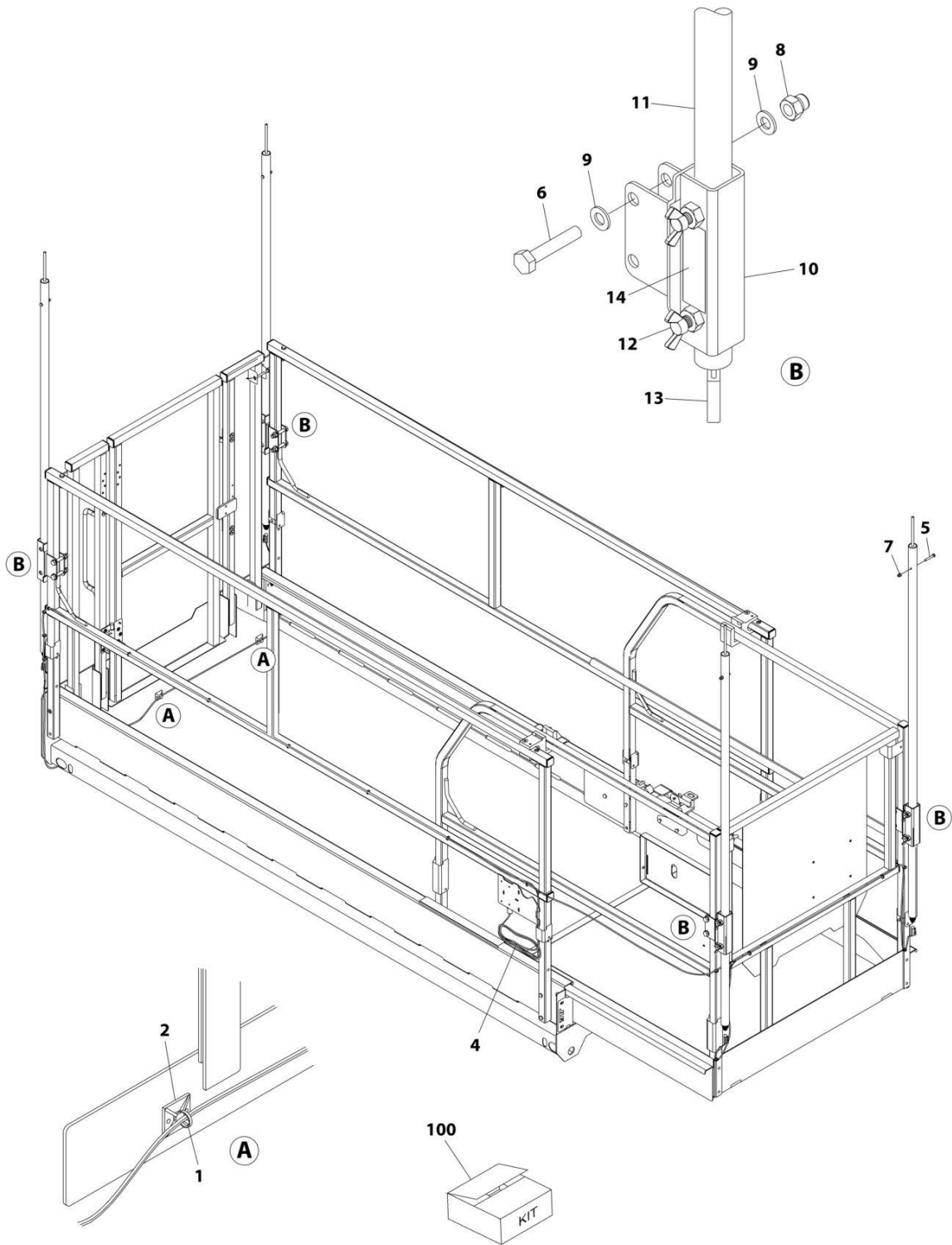
## SECTION 4 - PLATFORM

**FIGURE 4-10. PIPE RACKS INSTALLATION (OPTIONAL)**

ITEM	PART NUMBER	QTY	DESCRIPTION	REV
	1001270855	Ref	PIPE RACK INSTALLATION	C
1	0480100	2	Tie-Strap	
2	0700817	4	Bolt M8 x 45	
3	1060379	4	Lanyard	
4	3290805	4	Nut M8	
5	3422661	6	Pin	
6	4420062	AR	Tape	
7	4811902	8	Washer M8	
8	1001235941	4	Pin	
9	1001287711	2	Decal - Pipe Rack Capacity	
10	1001270533	2	Rack Pipe	
11	1001270631	2	Decal - ACCY Weight	
12	1001271412	2	Decal - JLG	

# SECTION 4 - PLATFORM

## FIGURE 4-11. OVERHEAD PROTECTION INSTALLATION (KOREAN SPECS)



ART\_1001226901

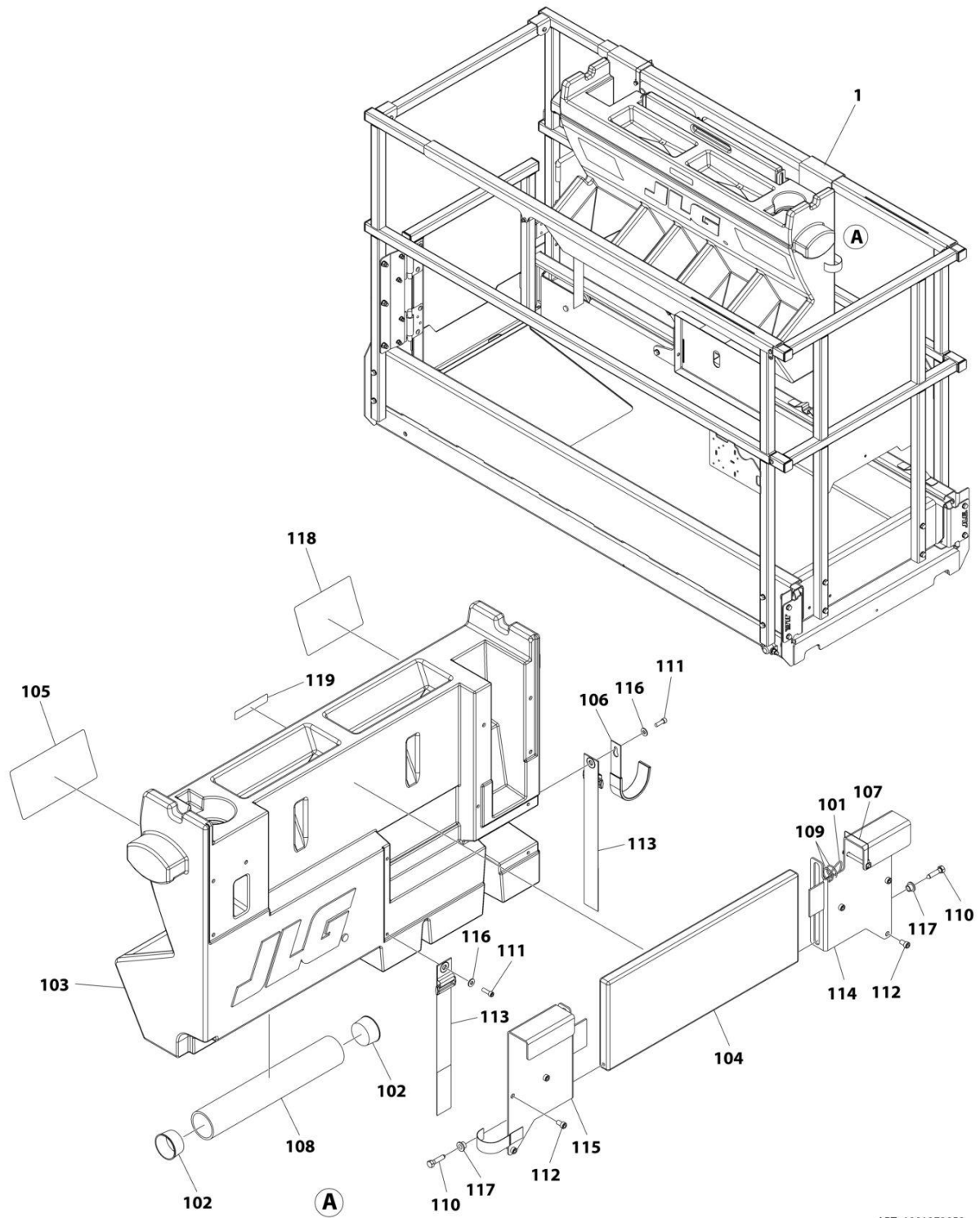
## SECTION 4 - PLATFORM

**FIGURE 4-11. OVERHEAD PROTECTION INSTALLATION (KOREAN SPECS)**

ITEM	PART NUMBER	QTY	DESCRIPTION	REV
	1001226901	Ref	OVERHEAD PROTECTION INSTALLATION (KOREAN SPECS)	A
1	4240017	AR	Tie-Strap	
2	4460234	2	Mount, Tie-Strap	
4	1001227728	1	Overhead Protection Harness	A
4	4460891	4	Plug, Male - 2 Position (X503-X506)	
4	4460465	8	Socket, Female	
4	4460536	1	Receptacle, Female - 3 Position (X507)	
4	4460464	2	Pin, Male	
4	4460466	1	Plug, Terminal	
5	0700616	4	Bolt M6 x 40	
6	0701019	8	Bolt M10 x 55	
7	3290606	4	Nut M6	
8	3291006	8	Nut M10	
9	4812000	16	Washer M10	
10	1001221275	4	Bracket	
11	1001221276	4	Tube	
12	1001222914	8	Thumb Screw	
13	1001226277	4	Switch, Overhead Protection	
14	1001228184	1	Decal - Overhaed Protection Weight	
100	1001221244	1	Overhead Protection Kit (Includes Items 5-14)	

# SECTION 4 - PLATFORM

## FIGURE 4-12. WOKSTATION INSTALLATION (OPTIONAL)



ART\_1001273958



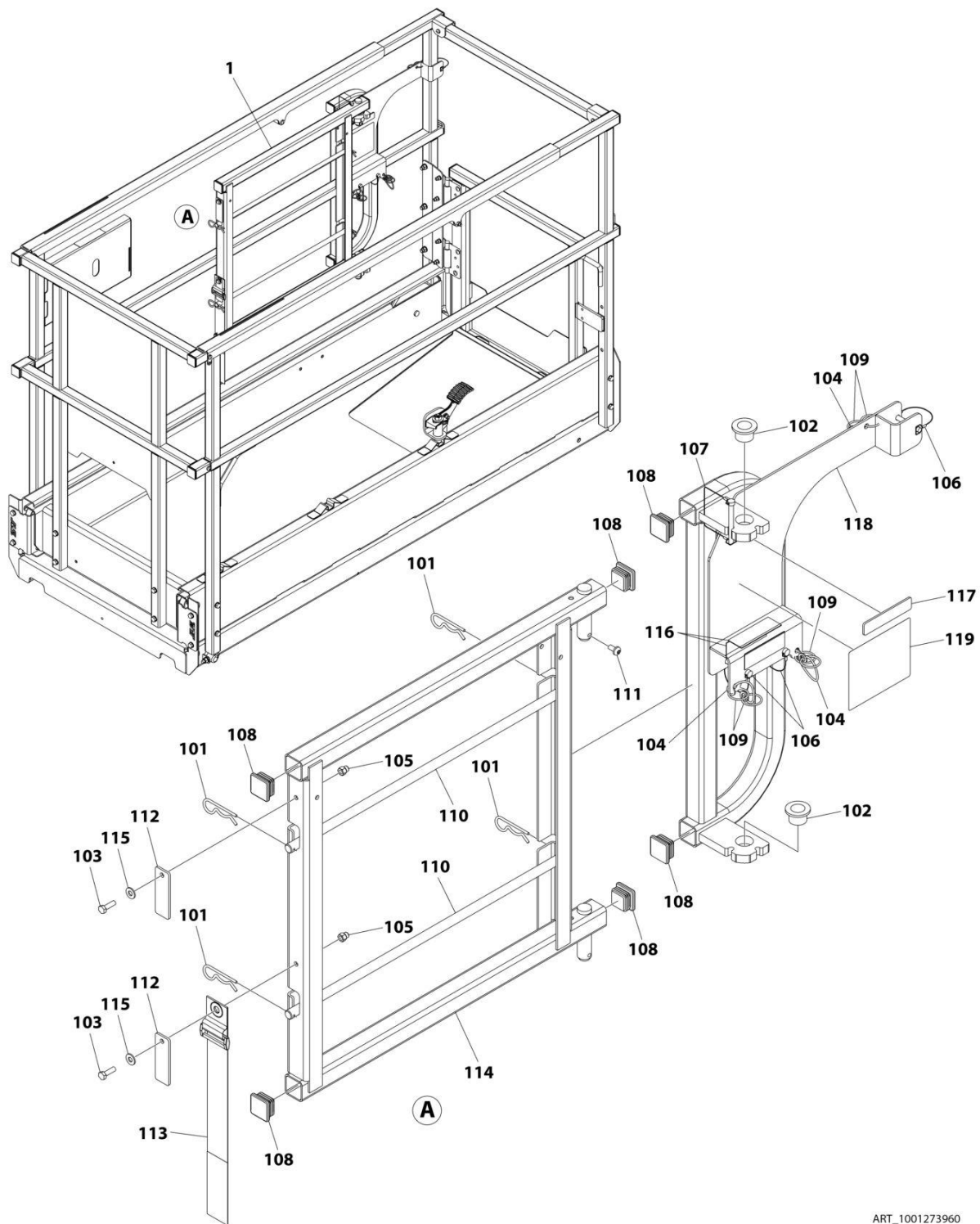
## SECTION 4 - PLATFORM

**FIGURE 4-12. WOKSTATION INSTALLATION (OPTIONAL)**

ITEM	PART NUMBER	QTY	DESCRIPTION	REV
	1001273958	Ref	WORKSTATION INSTALLATION	A
1	1001273957	1	Workstation Accessory	A
101	1060379	1	Lanyard	
102	1120555	2	Cap	
103	1580023	1	Container, Work Bench	
104	1580024	1	Tray, Work Surface	
105	1705997	1	Decal - Workstation	
106	2700100	1	Hook, Hanger	
107	3422219	1	Pin	
108	3460334	1	Pipe	
109	3760170	2	Ring	
110	3900355	2	Screw	
111	3931412	2	Bolt 1/4 x 3/4	
112	3931508	6	Bolt 5/16 x 1/2	
113	4240003	2	Strap	
114	4340853	1	Mount, Channel (RH)	
115	4340854	1	Mount, Channel (LH)	
116	4711400	2	Washer 1/4	
117	4740480	2	Washer, Plastic Insert	
118	1001274837	1	Decal - Workstation Capacity	
119	1001275631	1	Decal - ACCY Weight	

# SECTION 4 - PLATFORM

## FIGURE 4-13. ELECTRICIAN TREE INSTALLATION (OPTIONAL)



ART\_1001273960

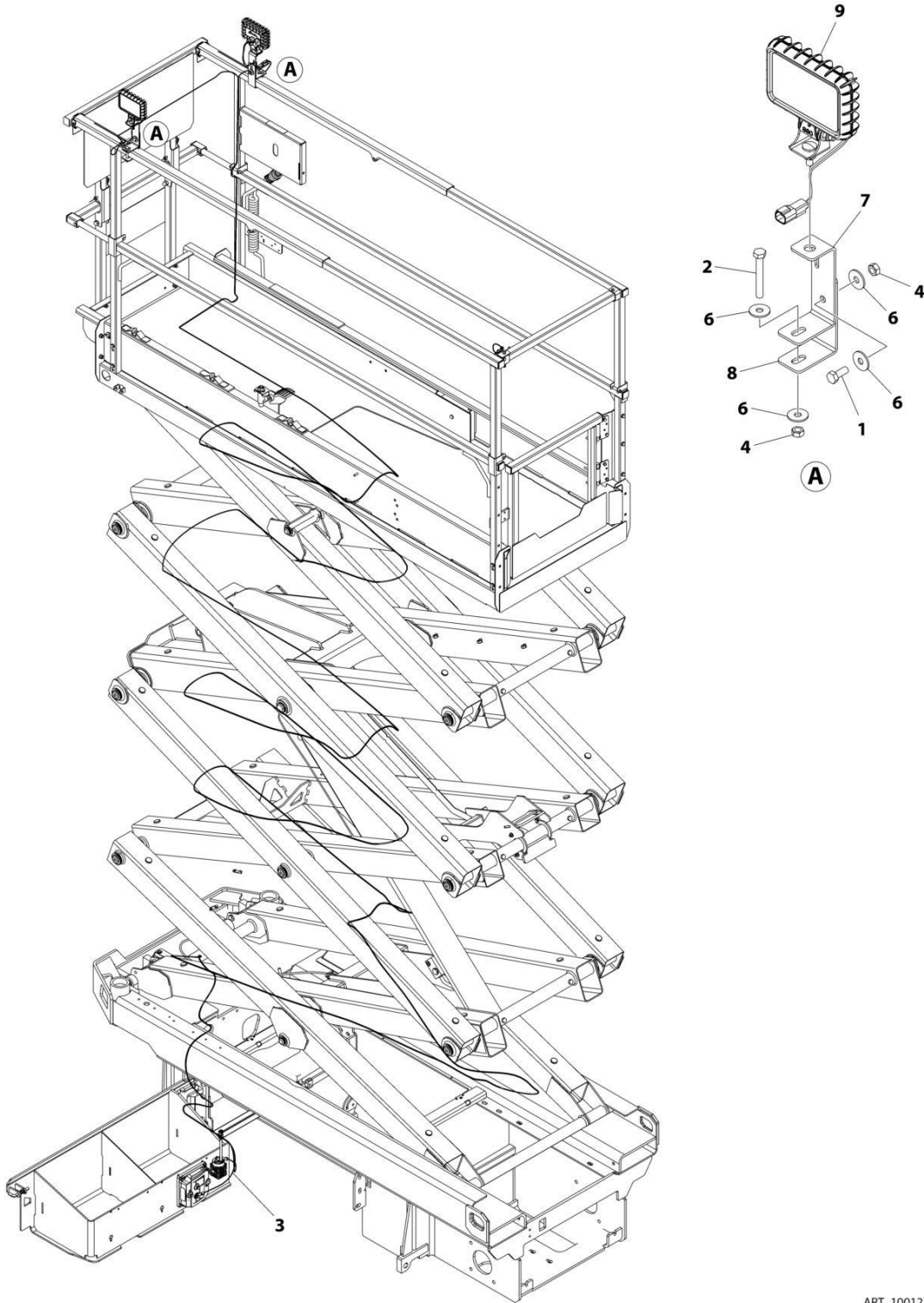
## SECTION 4 - PLATFORM

**FIGURE 4-13. ELECTRICIAN TREE INSTALLATION (OPTIONAL)**

ITEM	PART NUMBER	QTY	DESCRIPTION	REV
	1001273960	Ref	ELECTRICIAN TREE INSTALLATION	A
1	1001273907	1	Electrician Tree Accessory	A
101	80325	4	Hairpin, Cotter	
102	0440223	2	Bushing	
103	0700610	2	Bolt M6 x 20	
104	1060379	4	Lanyard	
105	3290606	2	Cap, Nut M6 x 1	
106	3421453	3	Pin	
107	3422219	1	Pin	
108	3520072	6	Plug, Cap	
109	3760170	8	Ring	
110	3841675	2	Rod	
111	4191706	1	Screw M6 x 12	
112	4220227	2	Stop, Spool Rod	
113	4240003	1	Strap	
114	4340947	1	Mount, Spool Rack	
115	4711400	2	Washer 1/4	
116	1001189762	3	Tape	
117	1001252626	1	Decal - ACCY Weight	
118	1001273909	1	Support	
119	1001274838	1	Decal	

# SECTION 4 - PLATFORM

## FIGURE 4-14. WORKLIGHTS INSTALLATION (OPTIONAL)



ART\_1001273966

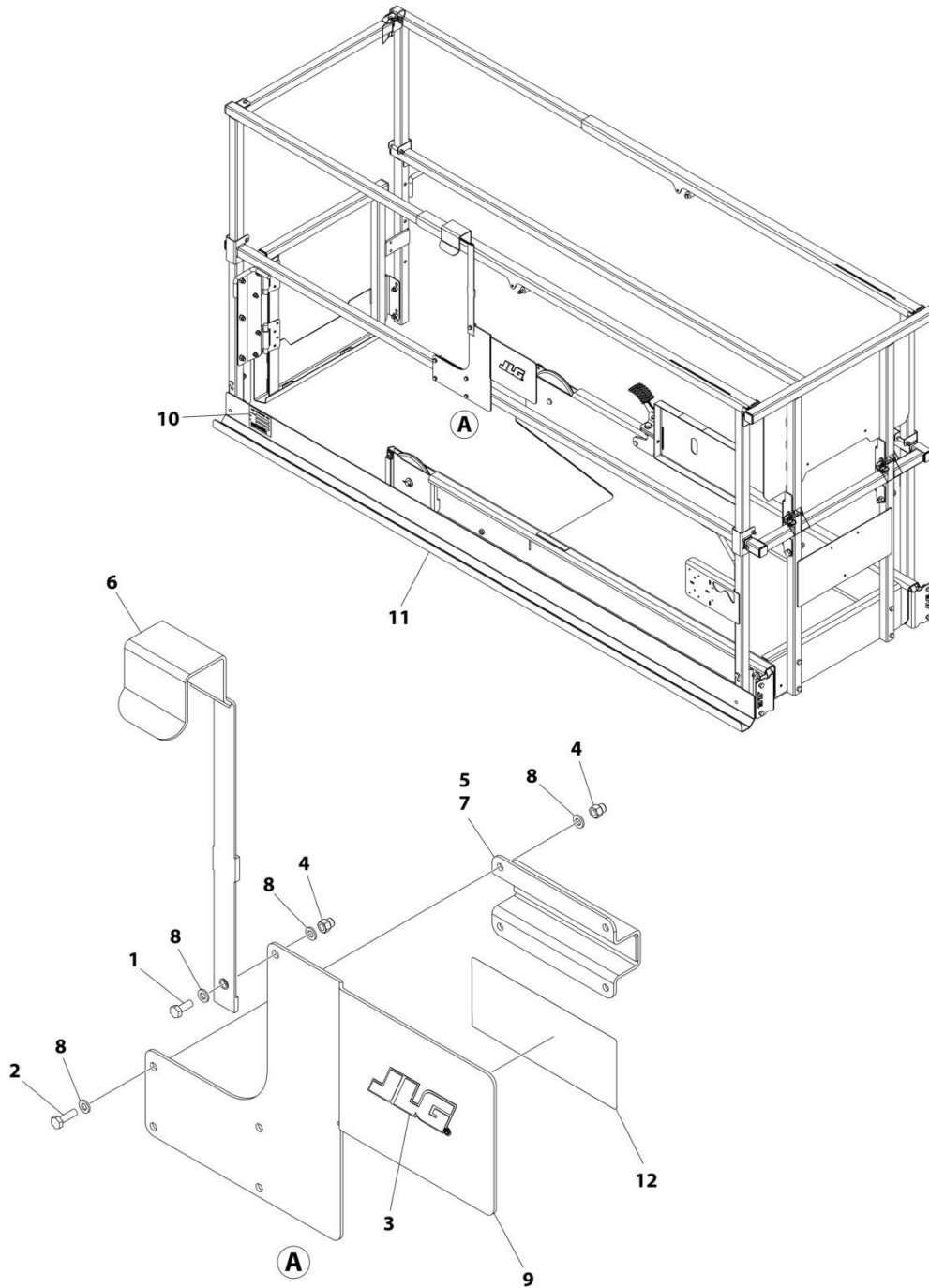
## SECTION 4 - PLATFORM

### FIGURE 4-14. WORKLIGHTS INSTALLATION (OPTIONAL)

ITEM	PART NUMBER	QTY	DESCRIPTION	REV
	1001273966	Ref	WORKLIGHTS INSTALLATION	A
1	0760810	2	Bolt M8 x 20	
2	0760820	2	Bolt M8 x 60	
3	1061042	1	Cable, Worklight	
4	3290801	4	Nut M8	
5	4240033	AR	Tie-Strap (Not Shown)	
6	4811902	8	Washer M8	
7	1001273961	2	Bracket	
8	1001273962	2	Bracket	
9	1001273964	2	Lamp, Worklight Kit	

# SECTION 4 - PLATFORM

## FIGURE 4-15. PANEL CARRIER INSTALLATION (OPTIONAL)



ART\_1001273969

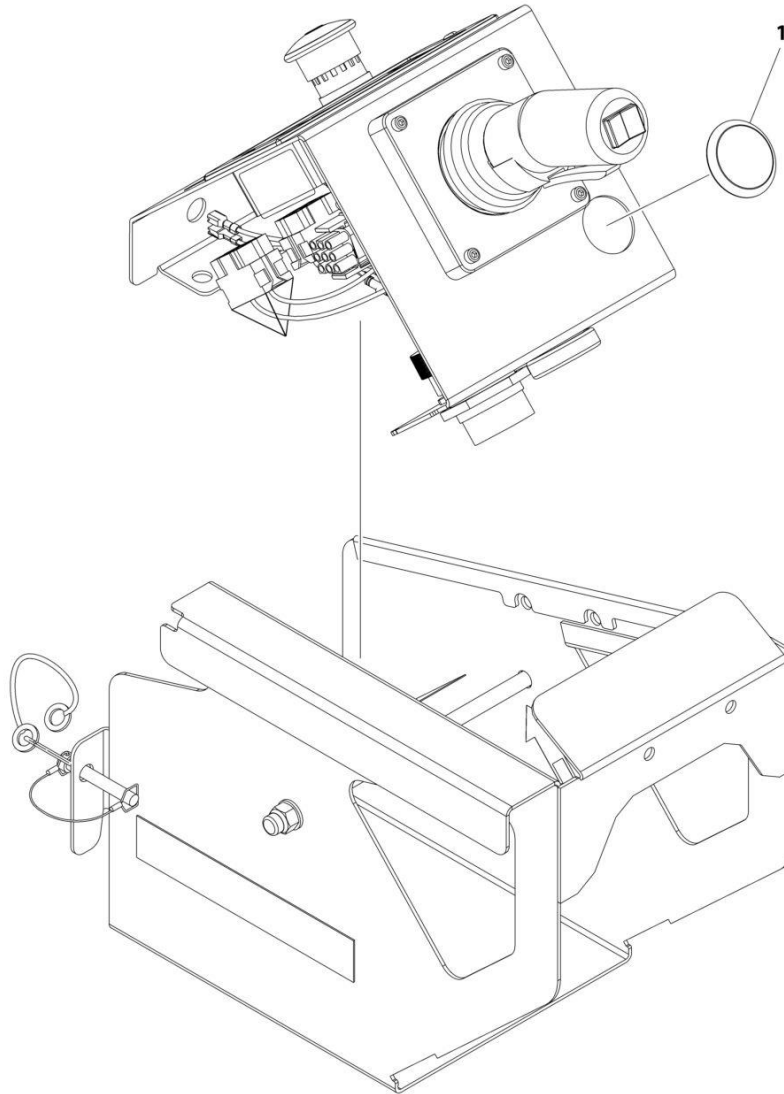
## SECTION 4 - PLATFORM

**FIGURE 4-15. PANEL CARRIER INSTALLATION (OPTIONAL)**

ITEM	PART NUMBER	QTY	DESCRIPTION	REV
	1001273969	Ref	PANEL CARRIER INSTALLATION	A
1	0760608	1	Bolt M6 x 16	
2	0760610	4	Bolt M6 x 20	
3	1702010	1	Decal - JLG	
4	3290606	5	Nut M6	
5	3574505	1	Bracket	
6	4240165	1	Tie Strap	
7	4420037	150 mm	Tape	
8	4811700	10	Washer M6	
9	1001235863	1	Plate, Panel Carrier	
10	1001253726	1	Decal - Accessory	
11	1001273968	1	Channel, Panel Carrier	
12	1001274839	1	Decal - Panel Carrier Capacity	

# SECTION 4 - PLATFORM

## FIGURE 4-16. PLATFORM CONTROL PLUG INSTALLATION



ART\_1001274661



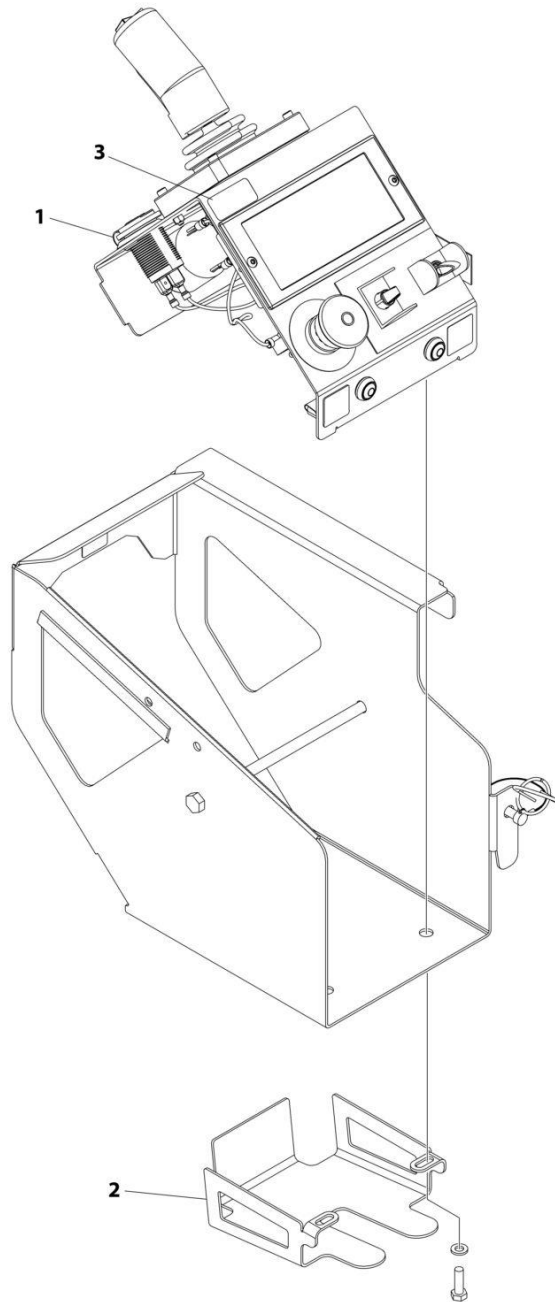
## SECTION 4 - PLATFORM

**FIGURE 4-16. PLATFORM CONTROL PLUG INSTALLATION**

ITEM	PART NUMBER	QTY	DESCRIPTION	REV
1	1001274661	Ref	PLATFORM CONTROL PLUG INSTALLATION	A
	1001262221	1	Plug	

# SECTION 4 - PLATFORM

## FIGURE 4-17. USB/PHONE CRADLE INSTALLATION



ART\_1001262150

## SECTION 4 - PLATFORM

### FIGURE 4-17. USB/PHONE CRADLE INSTALLATION

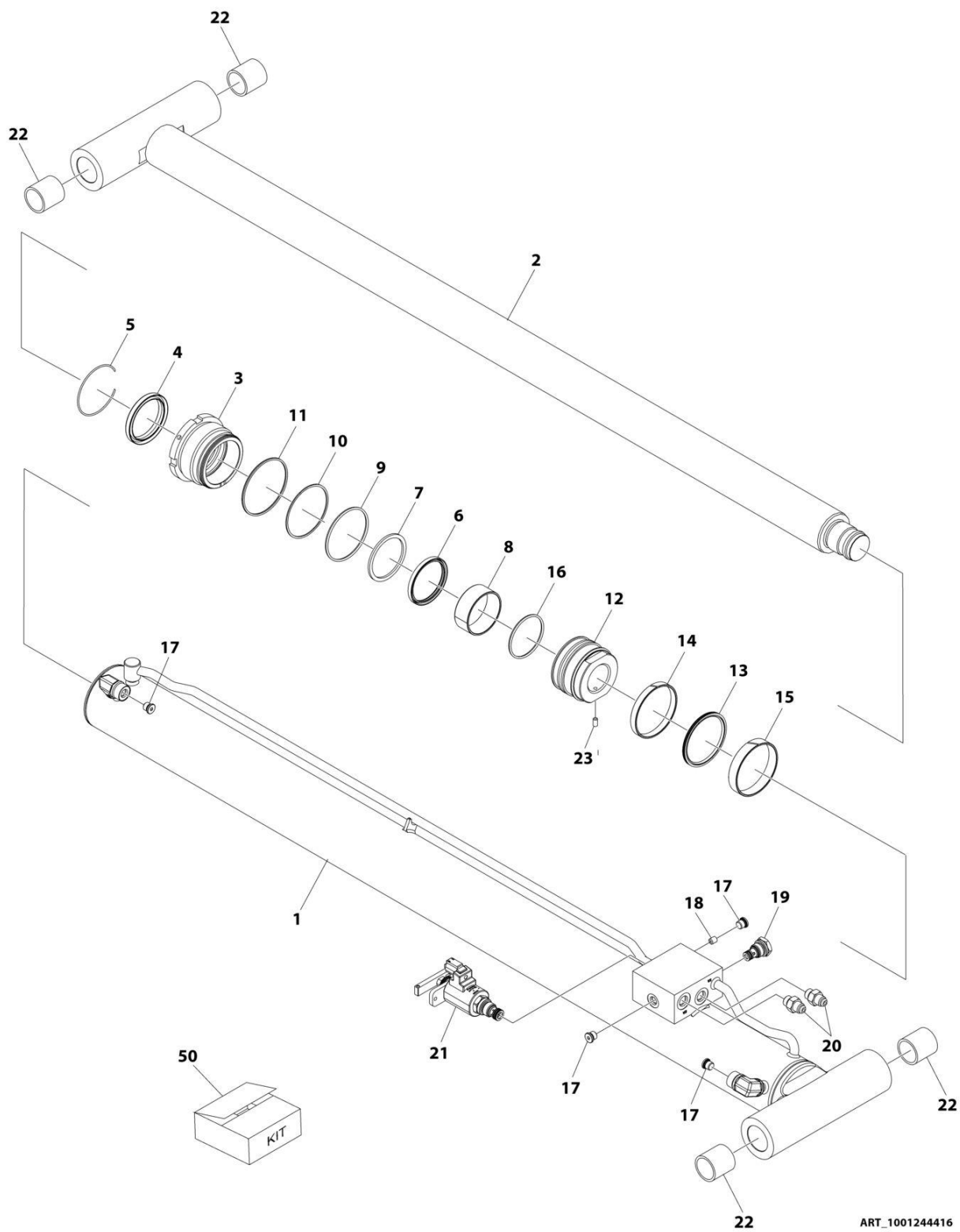
ITEM	PART NUMBER	QTY	DESCRIPTION	REV
	1001262150	Ref	USB/PHONE CRADLE INSTALLATION	B
1	1001253800	1	Terminal, USB Receptacle	
2	1001261131	1	Bracket, Phone	
3	1001274168	1	Decal, USB Charge	



**SECTION 5 - CYLINDER**

# SECTION 5 - CYLINDER

## FIGURE 5-1. LIFT CYLINDER ASSEMBLY



ART\_1001244416

## SECTION 5 - CYLINDER

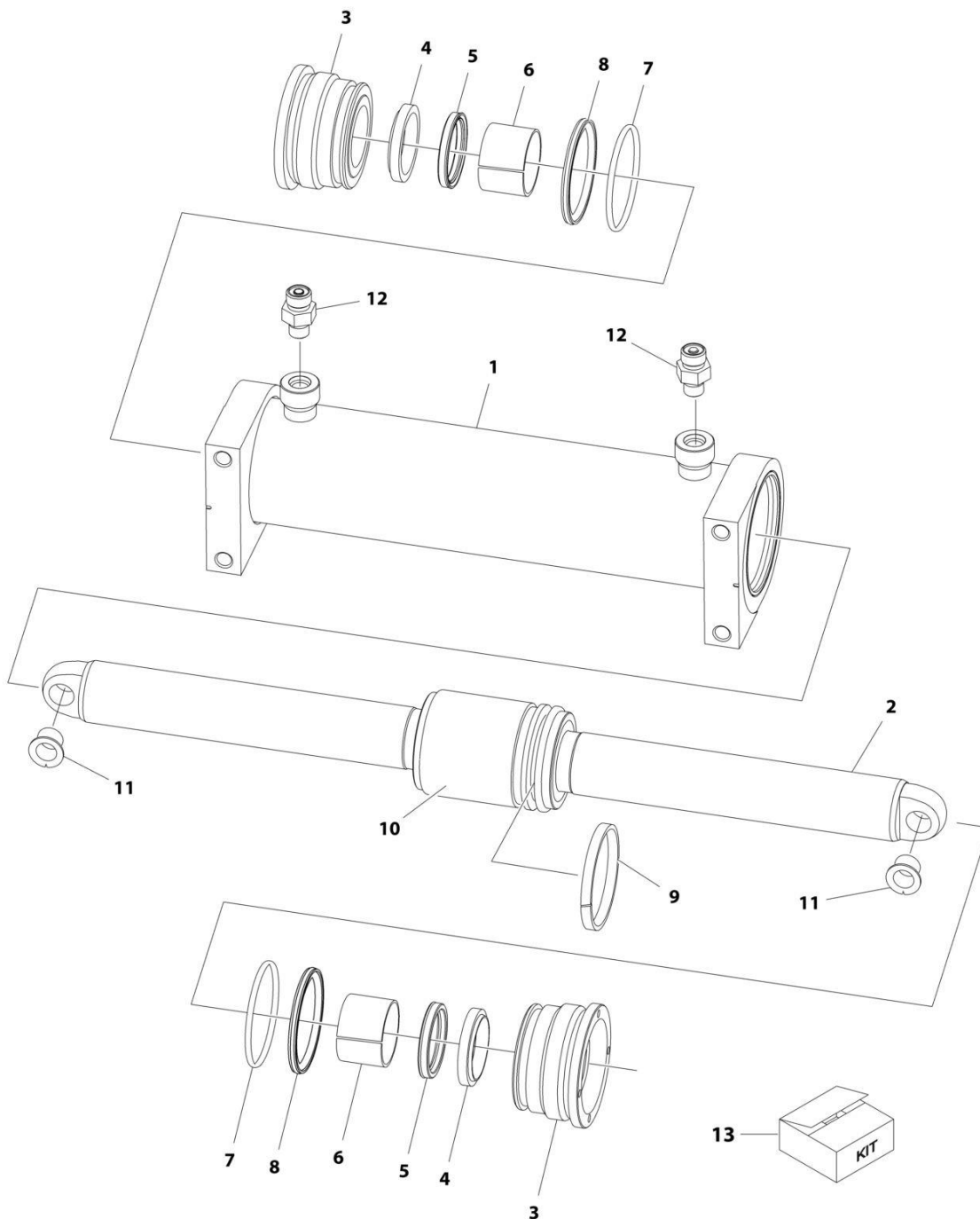
### FIGURE 5-1. LIFT CYLINDER ASSEMBLY

ITEM	PART NUMBER	QTY	DESCRIPTION	REV
	1001244416	Ref	LIFT CYLINDER ASSEMBLY	D
		Ref	<b>Note: Original Cylinder May Have Been Replaced with Service Replacement. Identify PN Stamped on Cylinder Before Ordering Parts.</b>	
1	See Note	NSS	Barrel (Note: Purchase Complete Cylinder)	
2	70007101	1	Rod	
3	70007102	1	Head	
4	See Note	NSS	Wiper	
5	70027244	1	Ring, Retaining	
6	See Note	NSS	Seal	
7	See Note	NSS	Ring, Back-up	
8	70007103	1	Bearing	
9	See Note	NSS	O-Ring	
10	See Note	NSS	Ring, Back-up	
11	See Note	NSS	O-Ring	
12	70007104	1	Piston	
13	See Note	NSS	Seal, Piston	
14	See Note	NSS	Ring, Wear	
15	See Note	NSS	Ring, Wear	
16	See Note	NSS	O-Ring	
17	2220883	4	Plug	
18	70007055	1	Orifice	
19	70004585	1	Valve, Cartridge - Check	
20	2220371	1	Fitting, Straight - JIC/ORB	
21	70005236	1	Valve, Cartridge - Manual Descent (Includes Lever & Spring)	
22	0962006	4	Bearing	
23	70007105	1	Setscrew M6 x 12	
50	70007106	1	Seal Kit - 1001244416 Cylinder (Includes Items 4,,6,7, 9-11 & 13-16)	

# SECTION 5 - CYLINDER

## FIGURE 5-2. STEER CYLINDER ASSEMBLY

**NOTE: IDENTIFY THE PART NUMBER STAMPED ON CYLINDER BEFORE ORDERING PARTS.**



ART\_1001179447



## SECTION 5 - CYLINDER

**FIGURE 5-2. STEER CYLINDER ASSEMBLY**

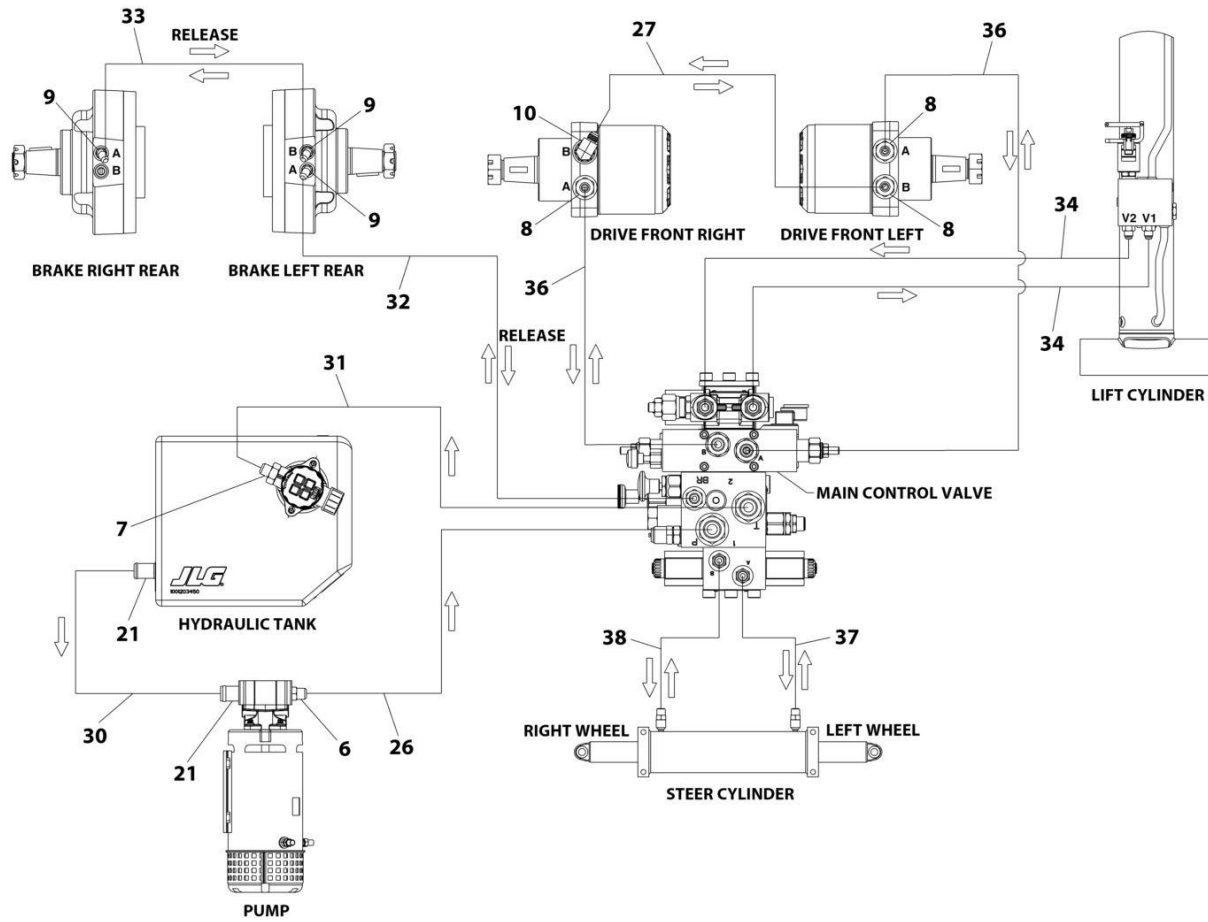
ITEM	PART NUMBER	QTY	DESCRIPTION	REV
	1001179447	Ref	STEER CYLINDER ASSEMBLY (SH-PAC)	A
		Ref	Note: Original Cylinder May Have Been Replaced with Service Replacement. Identify PN Stamped on Cylinder Before Ordering Parts.	
1	70005421	1	Barrel	
2	70005420	1	Rod	
3	70004241	2	Head	
4	See Note	NSS	Wiper (Note: Use Item 13)	
5	See Note	NSS	Seal, Rod (Note: Use Item 13)	
6	See Note	NSS	Ring, Wear (Note: Use Item 13)	
7	See Note	NSS	O-Ring (Note: Use Item 13)	
8	See Note	NSS	Ring, Back-up (Note: Use Item 13)	
9	See Note	NSS	Seal, Piston (Note: Use Item 13)	
10	70005419	1	Spacer	
11	0440259	2	Bearing, Flange	
12	2110404	2	Fitting, Straight ORFS/ORB	
13	70004239	1	Seal Kit - 1001179447 Cylinder (Includes Items 4-9)	



**SECTION 6 - HYDRAULIC**

# SECTION 6 - HYDRAULIC

FIGURE 6-1. HYDRAULIC COMPONENTS INSTALLATION (WITH CONCENTRIC MOTOR/PUMP)



ART\_1001370008\_20F2

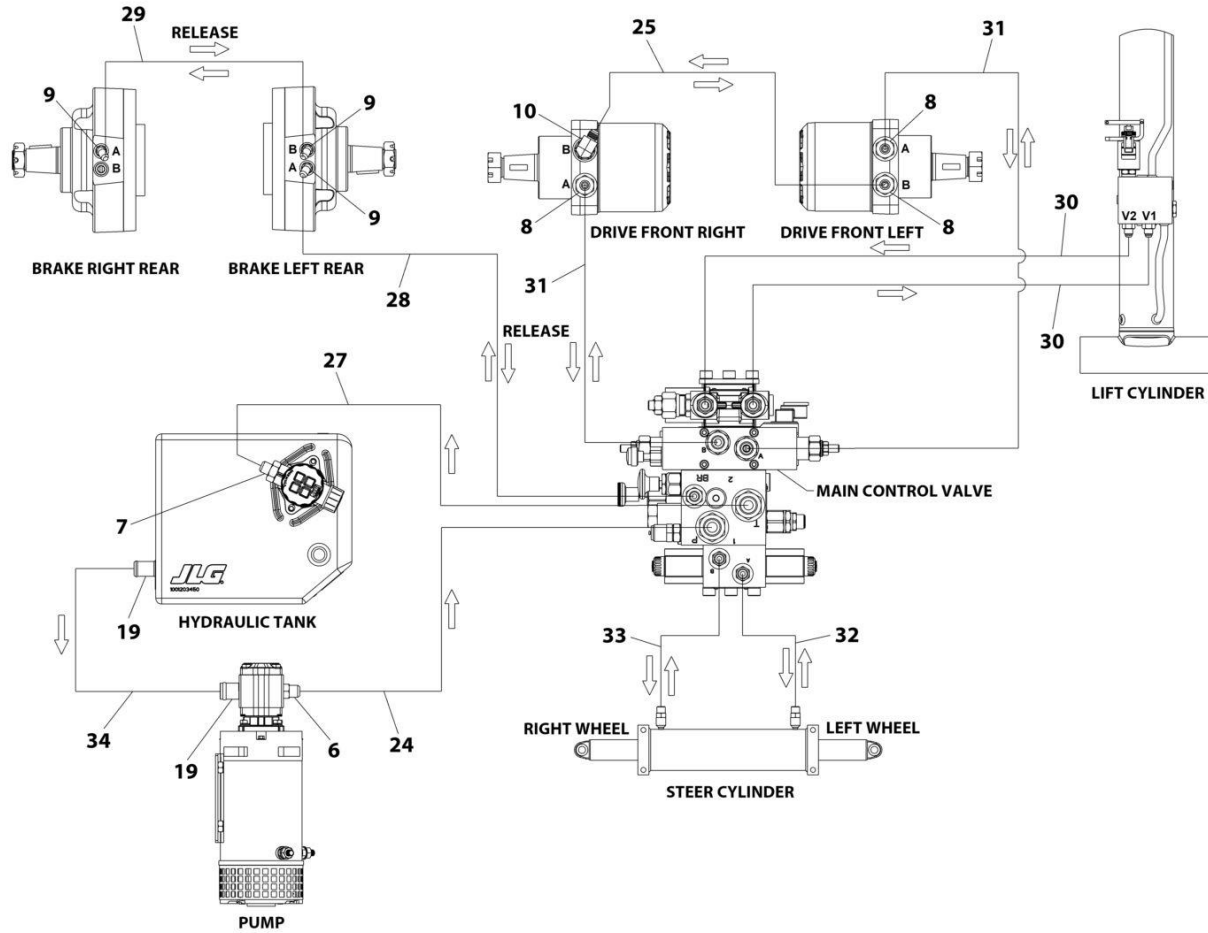
## SECTION 6 - HYDRAULIC

**FIGURE 6-1. HYDRAULIC COMPONENTS INSTALLATION (WITH CONCENTRIC MOTOR/PUMP)**

ITEM	PART NUMBER	QTY	DESCRIPTION	REV
	1001370008	Ref	HYDRAULIC COMPONENTS INSTALLATION	D
6	2220373	1	Fitting, Straight - JIC/ORB	
7	2220375	1	Fitting, Straight - JIC/ORB	
8	2220497	3	Fitting, Straight - JIC/ORB	
9	2220502	3	Fitting, 45 - JIC/ORB	
10	2220628	1	Fitting, 90 - JIC/ORB	
21	1001143501	2	Clamp, T-Bolt Heavy Duty	
26	1001203836	1	Hose	
27	1001203846	1	Hose	
30	1001247627	1	Hose	
31	1001236801	1	Hose	
32	1001236802	1	Hose	
33	1001236803	1	Hose	
34	1001236809	2	Hose	
36	1001242230	2	Hose	
37	1001243487	1	Hose	
38	1001243488	1	Hose	

# SECTION 6 - HYDRAULIC

## FIGURE 6-2. HYDRAULIC COMPONENTS INSTALLATION (WITH BUCHER PUMP/MOTOR)



ART\_1001284952\_2OF2

## SECTION 6 - HYDRAULIC

**FIGURE 6-2. HYDRAULIC COMPONENTS INSTALLATION (WITH BUCHER PUMP/MOTOR)**

ITEM	PART NUMBER	QTY	DESCRIPTION	REV
	1001284952	Ref	HYDRAULIC COMPONENTS INSTALLATION	A
6	2220373	1	Fitting, Straight - JIC/ORB	
7	2220375	1	Fitting, Straight - JIC/ORB	
8	2220497	3	Fitting, Straight - JIC/ORB	
9	2220502	3	Fitting, 45 - JIC/ORB	
10	2220828	1	Fitting, 45 - JIC/ORB	
19	1001143501	2	Clamp, T-Bolt Heavy Duty	
24	1001203836	1	Hose	
25	1001203846	1	Hose	
27	1001236801	1	Hose	
28	1001236802	1	Hose	
29	1001236803	1	Hose	
30	1001236809	2	Hose	
31	1001242230	2	Hose	
32	1001243487	1	Hose	
33	1001243488	1	Hose	
34	1001247627	1	Hose	

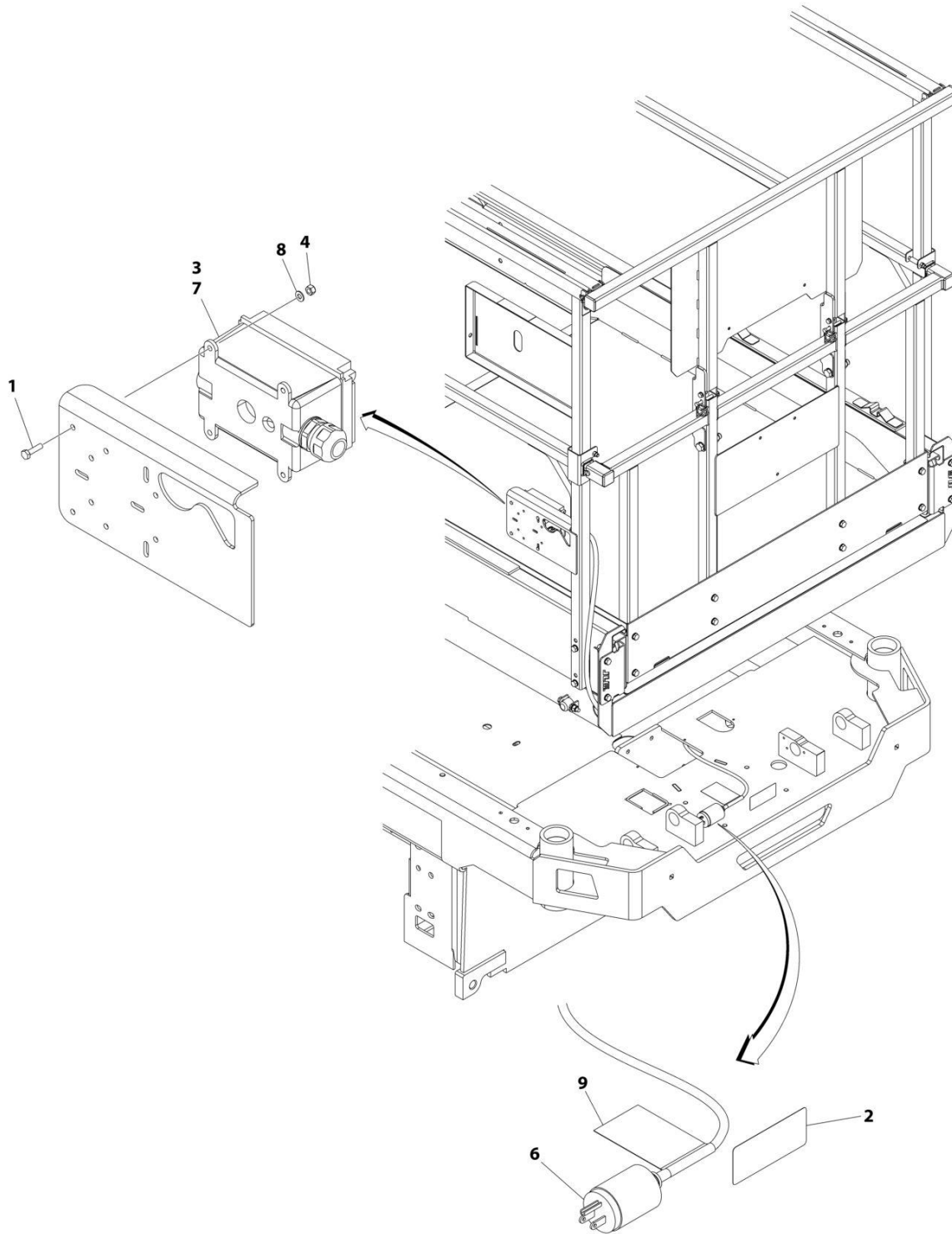




**SECTION 7 - ELECTRICAL**

# SECTION 7 - ELECTRICAL

FIGURE 7-1. AC BOX AT PLATFORM INSTALLATION - 110V GFI (ALL SPECS EXCEPT AUSTRALIAN, CE & UK CA SPECS)



ART\_1001237400

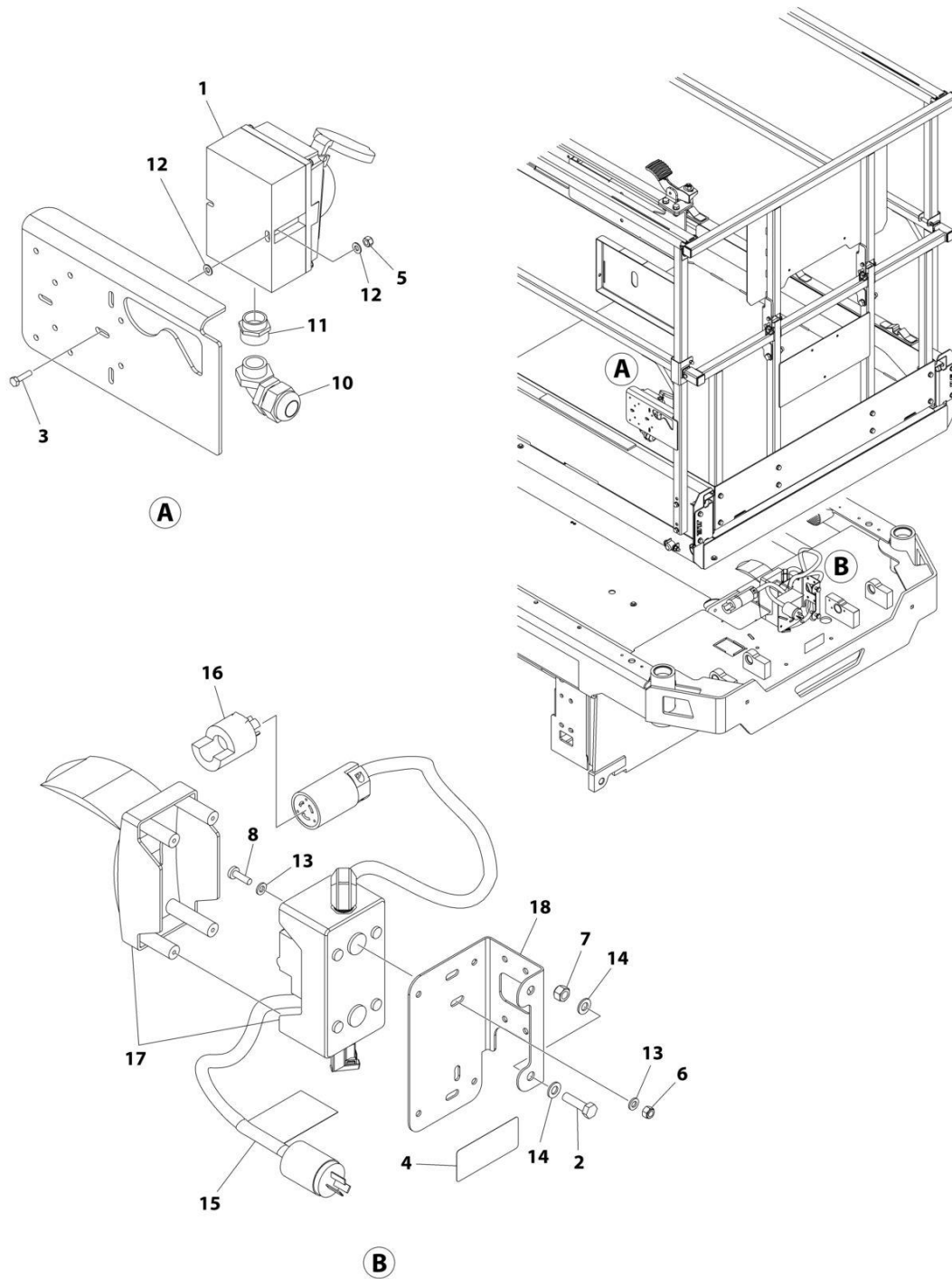
## SECTION 7 - ELECTRICAL

**FIGURE 7-1. AC BOX AT PLATFORM INSTALLATION - 110V GFI (ALL SPECS EXCEPT AUSTRALIAN, CE & UK CA SPECS)**

ITEM	PART NUMBER	QTY	DESCRIPTION	REV
	1001237400	Ref	AC BOX AT PLATFORM INSTALLATION - 110V GFI	C
1	0760408	4	Bolt M4 x 16	
2	1703464	1	Decal - AC Power	
3	2902431	1	Receptacle Box Kit (See Separate Breakdown in this Section)	
4	3290405	4	Nut M4	
5	4240017	AR	Tie-Strap (Not Shown)	
6	4460138	1	Plug, Male - AC	
7	4460315	1	Terminal	
8	4811400	4	Washer M4	
9	1001102258	1	Decal - AC Label	

# SECTION 7 - ELECTRICAL

FIGURE 7-2. AC BOX AT PLATFORM INSTALLATION - 110V IEC YELLOW (CE & UK CA SPECS)



ART\_1001238133

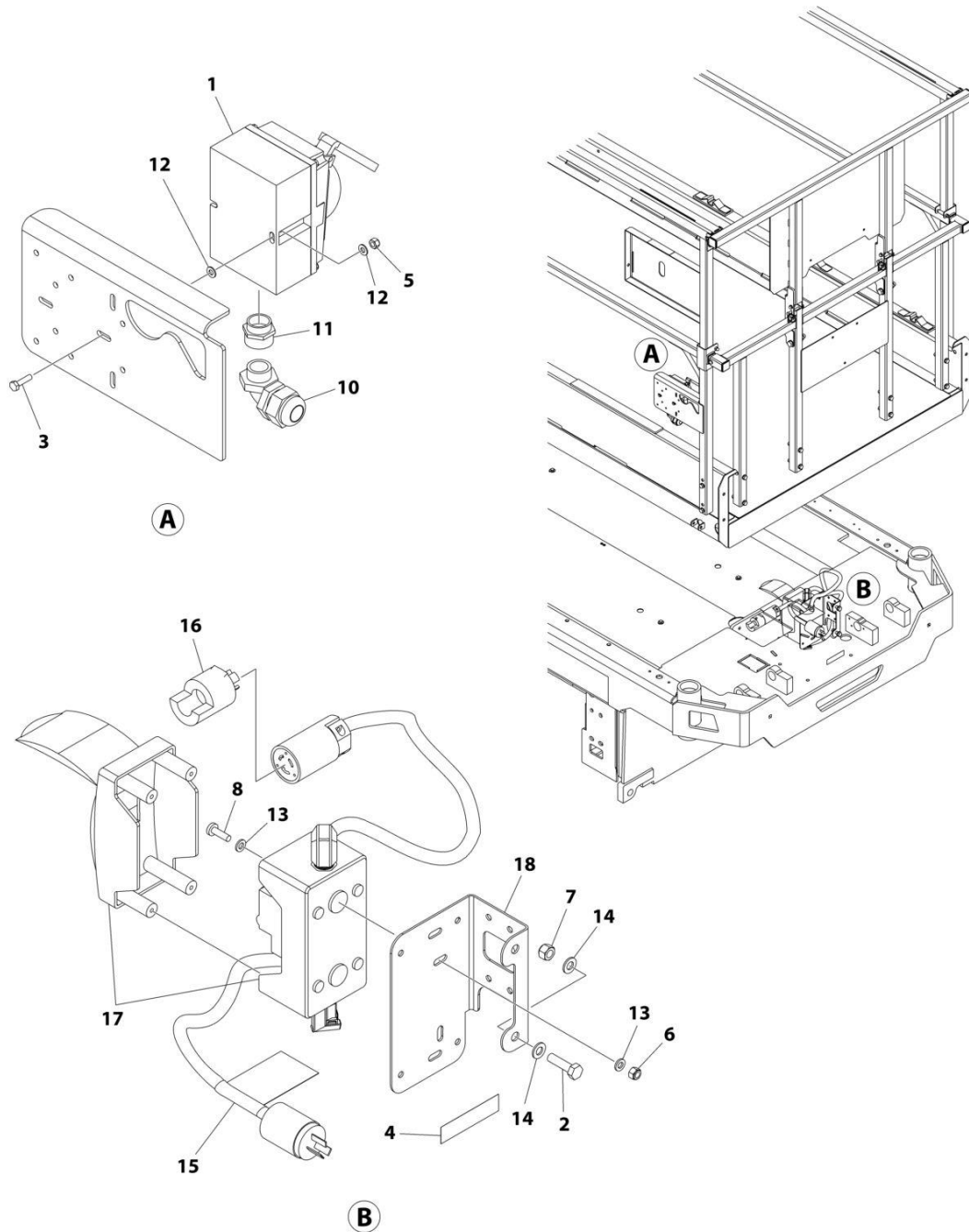
## SECTION 7 - ELECTRICAL

**FIGURE 7-2. AC BOX AT PLATFORM INSTALLATION - 110V IEC YELLOW (CE & UK CA SPECS)**

ITEM	PART NUMBER	QTY	DESCRIPTION	REV
	1001238133	Ref	AC BOX AT PLATFORM INSTALLATION - 110V IEC YELLOW	B
1	0275216	1	Receptacle Box Kit - 110V IEC Yellow (See Separate Breakdown in this Section)	
2	0700814	2	Bolt M8 x 30	
3	0760408	2	Bolt M4 x 16	
4	1703464	1	Decal - AC Power	
5	3290405	2	Nut M4	
6	3290605	2	Nut M6	
7	3290805	2	Nut M8	
8	4010610	2	Screw M6 x 20	
9	4240017	AR	Tie-Strap (Not Shown)	
10	4461257	1	Connector, Strain Relief	
11	4461258	1	Connector, Adapter	
12	4811400	4	Washer M4	
13	4811700	4	Washer M6	
14	4811900	4	Washer M8	
15	1001102258	1	Decal - AC Label	
16	1001120204	1	Plug, Male Twist	
17	1001209776	1	Breaker Box Kit (See Separate Breakdown in this Section)	
18	1001238198	1	Bracket	

# SECTION 7 - ELECTRICAL

FIGURE 7-3. AC BOX AT PLATFORM INSTALLATION - 220V IEC BLUE (CE & UK CA SPECS)



ART\_1001238134

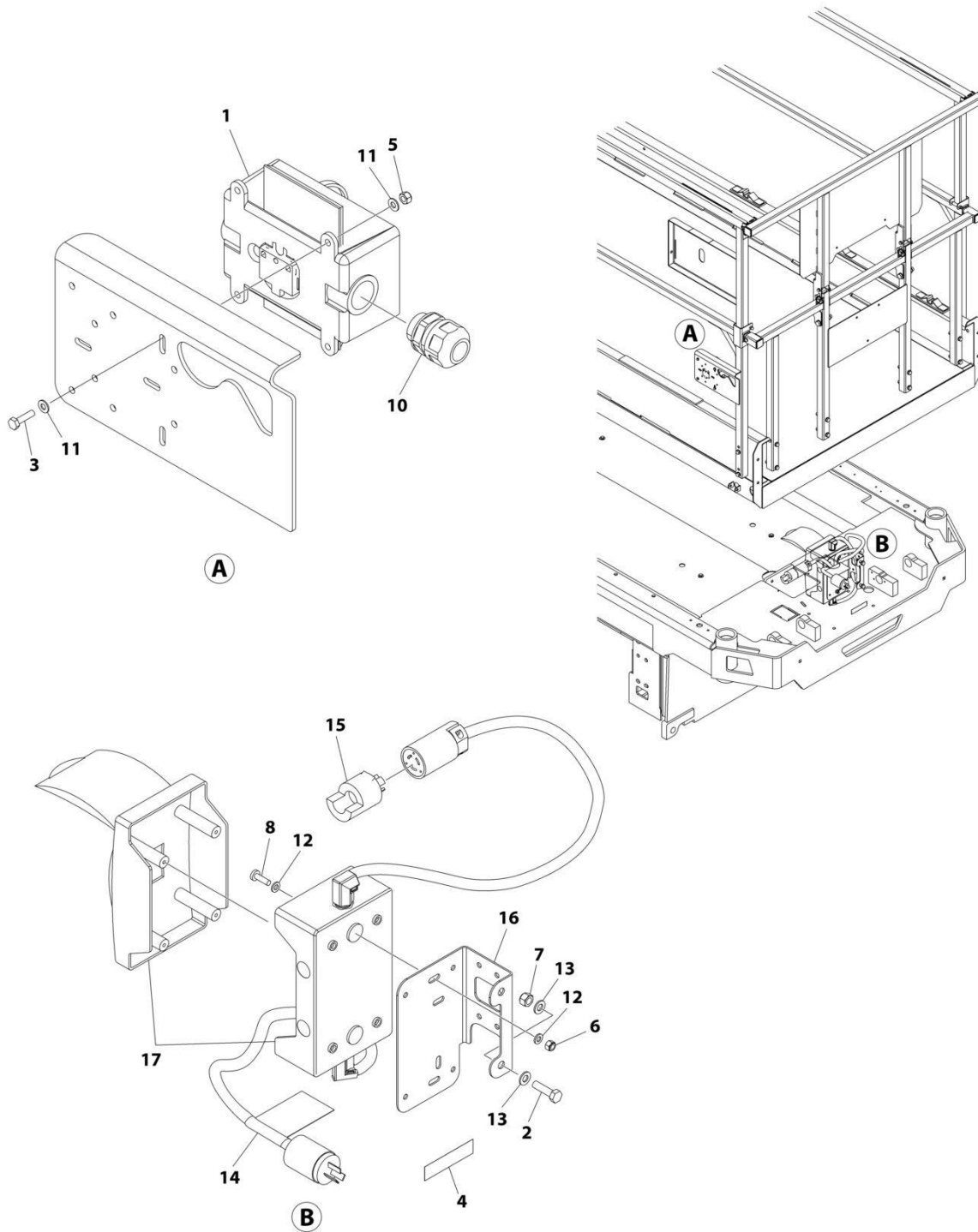
## SECTION 7 - ELECTRICAL

**FIGURE 7-3. AC BOX AT PLATFORM INSTALLATION - 220V IEC BLUE (CE & UK CA SPECS)**

ITEM	PART NUMBER	QTY	DESCRIPTION	REV
	1001238134	Ref	AC BOX AT PLATFORM INSTALLATION - 220V IEC BLUE	A
1	0275217	1	Receptacle Box Kit - 220V IEC Blue (See Separate Breakdown in this Section)	
2	0700814	2	Bolt M8 x 30	
3	0760408	2	Bolt M4 x 16	
4	3252507	1	Decal - AC Power	
5	3290405	2	Nut M4	
6	3290605	2	Nut M6	
7	3290805	2	Nut M8	
8	4010610	2	Screw M6 x 20	
9	4240017	AR	Tie-Strap (Not Shown)	
10	4461257	1	Connector, Strain Relief	
11	4461258	1	Connector, Adapter	
12	4811400	4	Washer M4	
13	4811700	4	Washer M6	
14	4811900	4	Washer M8	
15	1001102258	1	Decal - AC Label	
16	1001120204	1	Plug, Male Twist	
17	1001209776	1	Breaker Box Kit (See Separate Breakdown in this Section)	
18	1001238198	1	Bracket	

# SECTION 7 - ELECTRICAL

FIGURE 7-4. AC BOX AT PLATFORM INSTALLATION - 220V CEE7 POST GROUND (CE & UK CA SPECS)



ART\_1001238130



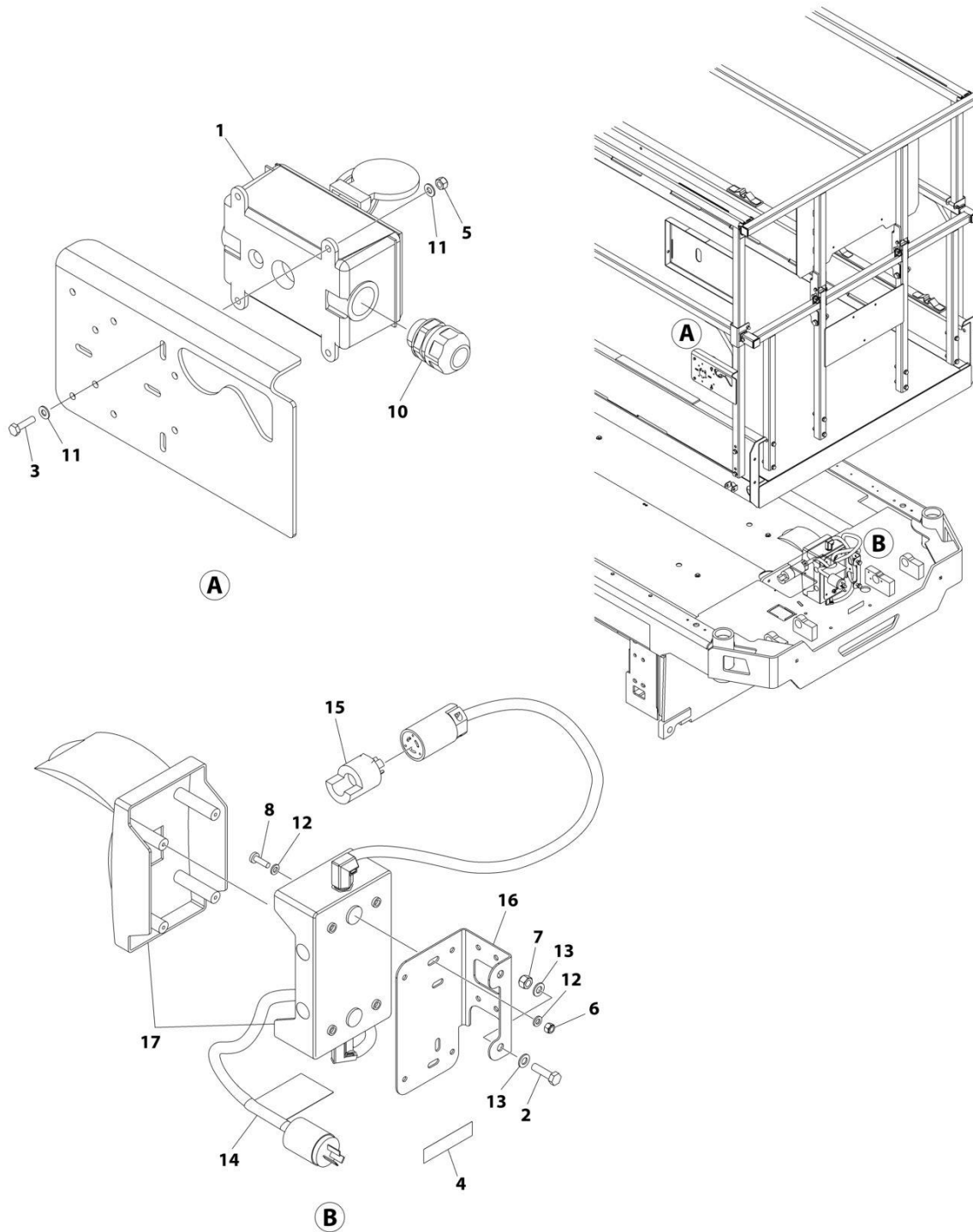
## SECTION 7 - ELECTRICAL

**FIGURE 7-4. AC BOX AT PLATFORM INSTALLATION - 220V CEE7 POST GROUND (CE & UK CA SPECS)**

ITEM	PART NUMBER	QTY	DESCRIPTION	REV
	1001238130	Ref	AC BOX AT PLATFORM INSTALLATION - 220V CEE7 POST GROUND	B
1	0275452	1	Receptacle Box Kit - 220V CEE7 Post Ground (See Separate Breakdown in this Section)	
2	0700814	2	Screw M8 x 30	
3	0760408	4	Bolt M4 x 16	
4	3252507	1	Decal - AC Power	
5	3290405	4	Nut M4	
6	3290605	2	Nut M6	
7	3290805	2	Nut M8	
8	4010610	2	Screw M6 x 20	
9	4240017	AR	Tie-Strap (Not Shown)	
10	4460662	1	Connector, Strain Relief	
11	4811400	8	Washer M4	
12	4811700	4	Washer M6	
13	4811900	4	Washer M8	
14	1001102258	1	Decal - AC Label	
15	1001120204	1	Plug, Male Twist	
16	1001238198	1	Bracket	
17	1001209482	1	Breaker Box Kit (See Separate Breakdown in this Section)	

# SECTION 7 - ELECTRICAL

FIGURE 7-5. AC BOX AT PLATFORM INSTALLATION - 220V CEE7 SIDE GROUND (CE & UK CA SPECS)



ART\_1001238131

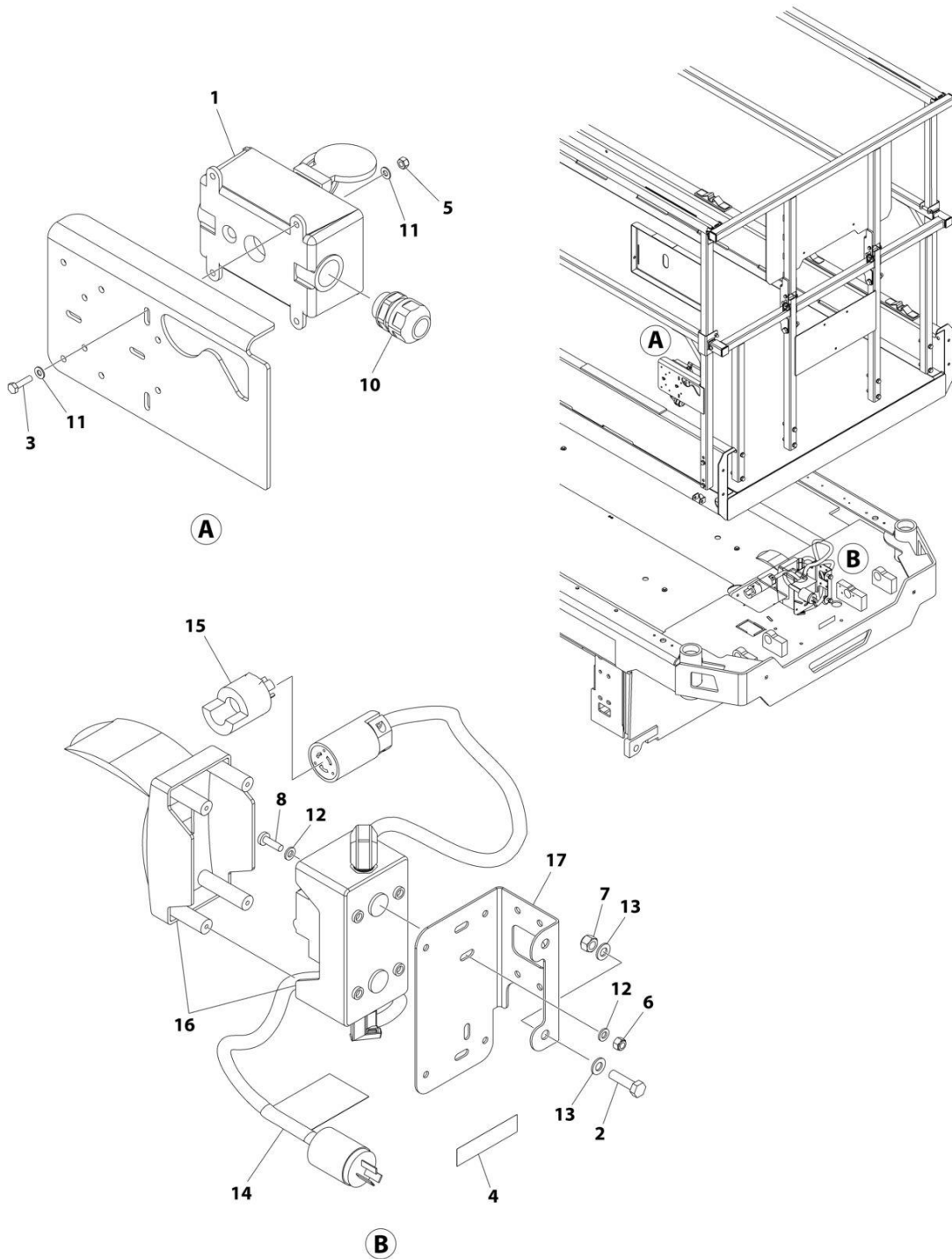
## SECTION 7 - ELECTRICAL

**FIGURE 7-5. AC BOX AT PLATFORM INSTALLATION - 220V CEE7 SIDE GROUND (CE & UK CA SPECS)**

ITEM	PART NUMBER	QTY	DESCRIPTION	REV
	1001238131	Ref	AC BOX AT PLATFORM INSTALLATION - 220V CEE7 SIDE GROUND	B
1	0275453	1	Receptacle Box Kit - 220V CEE7 Side Ground (See Separate Breakdown in this Section)	
2	0700814	2	Bolt M8 x 30	
3	0760408	4	Bolt M4 x 16	
4	3252507	1	Decal - AC Power	
5	3290405	4	Nut M4	
6	3290605	2	Nut M6	
7	3290805	2	Nut M8	
8	4010610	2	Screw M6 x 20	
9	4240017	AR	Tie-Strap (Not Shown)	
10	4460662	1	Connector, Strain Relief	
11	4811400	8	Washer M4	
12	4811700	4	Washer M6	
13	4811900	4	Washer M8	
14	1001102258	1	Decal - AC Label	
15	1001120204	1	Plug, Male Twist	
16	1001238198	1	Bracket	
17	1001209482	1	Breaker Box Kit (See Separate Breakdown in this Section)	

# SECTION 7 - ELECTRICAL

FIGURE 7-6. AC BOX AT PLATFORM INSTALLATION - 220V AFSINT 107 (CE & UK CA SPECS)



ART\_1001238132

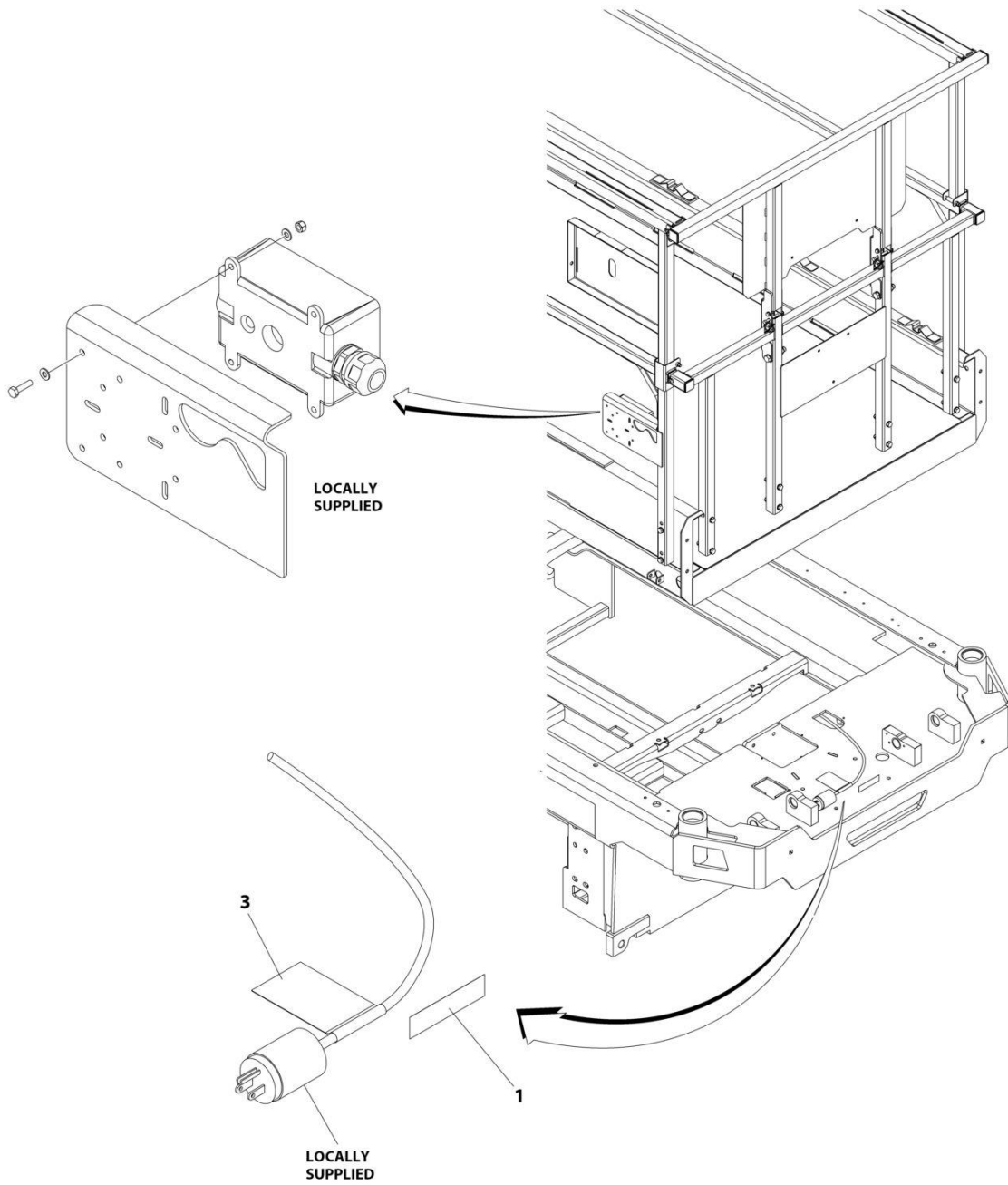
## SECTION 7 - ELECTRICAL

**FIGURE 7-6. AC BOX AT PLATFORM INSTALLATION - 220V AFSINT 107 (CE & UK CA SPECS)**

ITEM	PART NUMBER	QTY	DESCRIPTION	REV
	1001238132	Ref	AC BOX AT PLATFORM INSTALLATION - 220V AFSINT 107	B
1	0275454	1	Receptacle Box Kit - 220V AFSINT 107 (See Separate Breakdown in this Section)	
2	0700814	2	Bolt M8 x 30	
3	0760408	4	Bolt M4 x 16	
4	3252507	1	Decal - AC Power	
5	3290405	4	Nut M4	
6	3290605	2	Nut M6	
7	3290805	2	Nut M8	
8	4010610	2	Screw M6 x 20	
9	4240017	AR	Tie-Strap (Not Shown)	
10	4460662	1	Connector, Strain Relief	
11	4811400	8	Washer M4	
12	4811700	4	Washer M6	
13	4811900	4	Washer M8	
14	1001102258	1	Decal - AC Label	
15	1001120204	1	Plug, Male Twist	
16	1001209776	1	Breaker Box Kit (See Separate Breakdown in this Section)	
17	1001238198	1	Bracket	

# SECTION 7 - ELECTRICAL

## FIGURE 7-7. AC BOX AT PLATFORM INSTALLATION - 220V LOCALLY SUPPLIED



ART\_1001237401

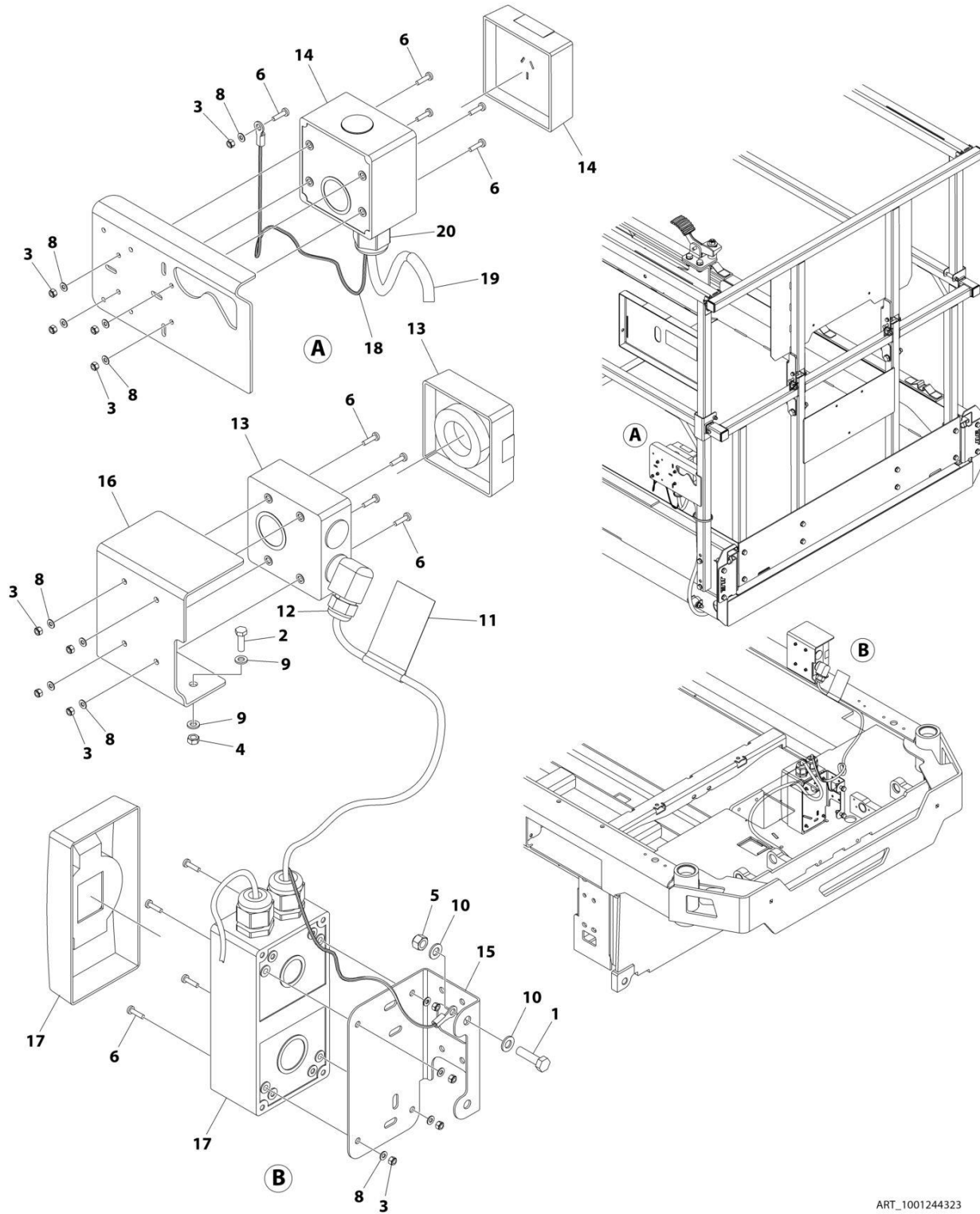
## SECTION 7 - ELECTRICAL

FIGURE 7-7. AC BOX AT PLATFORM INSTALLATION - 220V LOCALLY SUPPLIED

ITEM	PART NUMBER	QTY	DESCRIPTION	REV
	1001237401	Ref	AC BOX AT PLATFORM INSTALLATION - 220V LOCALLY SUPPLIED COMPONENTS (ALL SPECS)	C
1	3252507	1	Decal - 220 Volt	
2	4240017	AR	Tie-Strap (Not Shown)	
3	1001102258	1	Decal - AC Label	

# SECTION 7 - ELECTRICAL

## FIGURE 7-8. AC BOX AT PLATFORM INSTALLATION - 220V (AUSTRALIAN SPECS)



ART\_1001244323



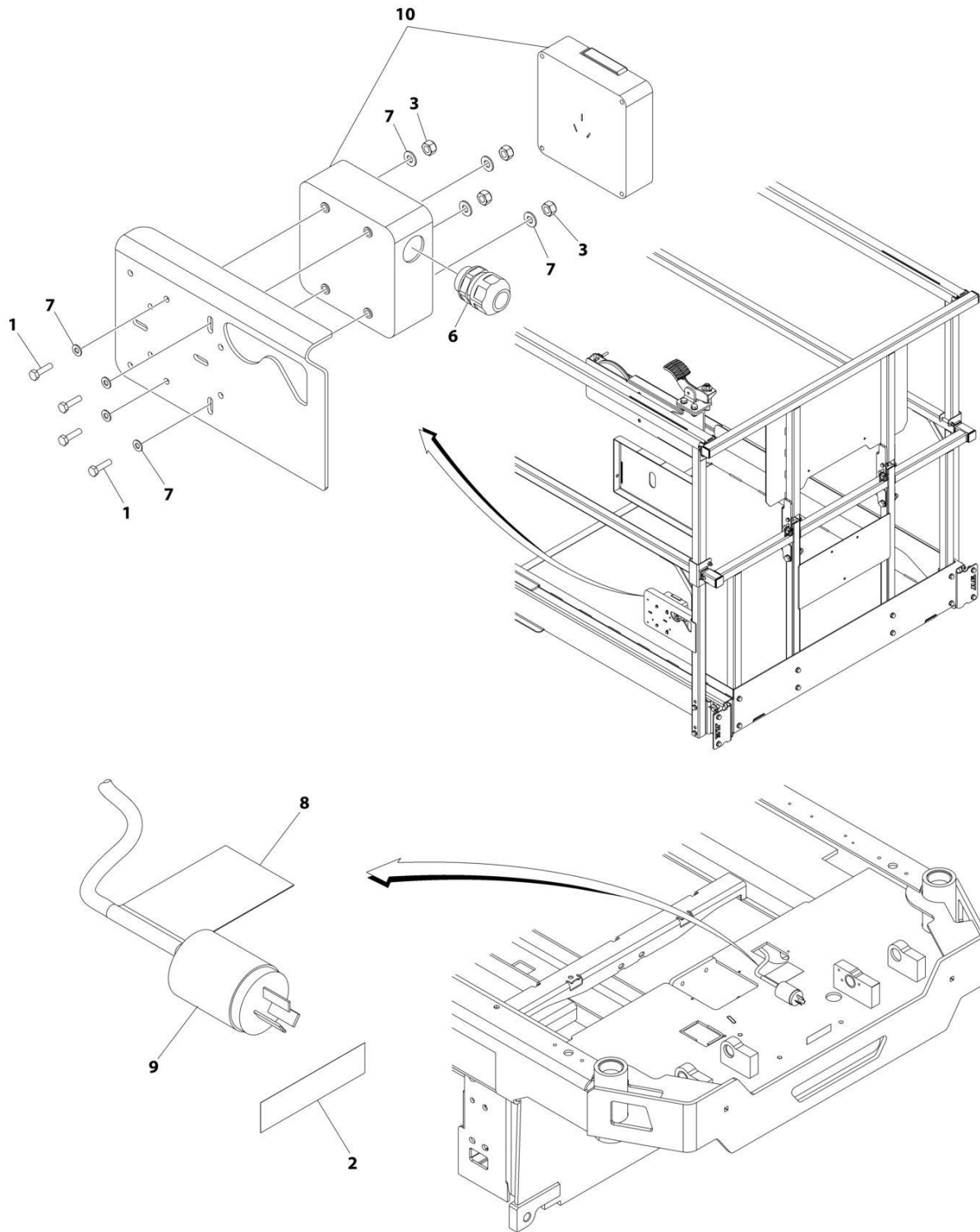
## SECTION 7 - ELECTRICAL

**FIGURE 7-8. AC BOX AT PLATFORM INSTALLATION - 220V (AUSTRALIAN SPECS)**

ITEM	PART NUMBER	QTY	DESCRIPTION	REV
	1001244323	Ref	AC BOX AT PLATFORM INSTALLATION - 220V (AUSTRALIAN SPECS)	B
1	0700814	2	Bolt M8 x 30	
2	0760610	2	Bolt M6 x 20	
3	3290405	13	Nut M4	
4	3290601	2	Nut M6	
5	3290805	2	Nut M8	
6	4010408	13	Screw M4 x 16	
7	4240017	AR	Tie-Strap (Not Shown)	
8	4811400	13	Washer M4	
9	4811700	4	Washer M6	
10	4811900	4	Washer M8	
11	1001102258	1	Decal - AC Label	
12	1001103471	1	Connector Strain Relief 90	
13	1001227267	1	Receptacle Australian - 230V	
14	1001227268	1	Receptacle Australian - 230V	
15	1001238198	1	Bracket	
16	1001244900	1	Bracket	
17	1001245739	1	Box and Breaker Electrical Assembly (See Separate Breakdown in this Section)	
18	1001245744	1	Earth/Ground Link Harness	
19	1001245747	1	Conduit	
20	1001097150	1	Terminal	

# SECTION 7 - ELECTRICAL

## FIGURE 7-9. AC BOX AT PLATFORM INSTALLATION - 220V CHINA PLUG (CHINA SPECS)



ART\_1001238135

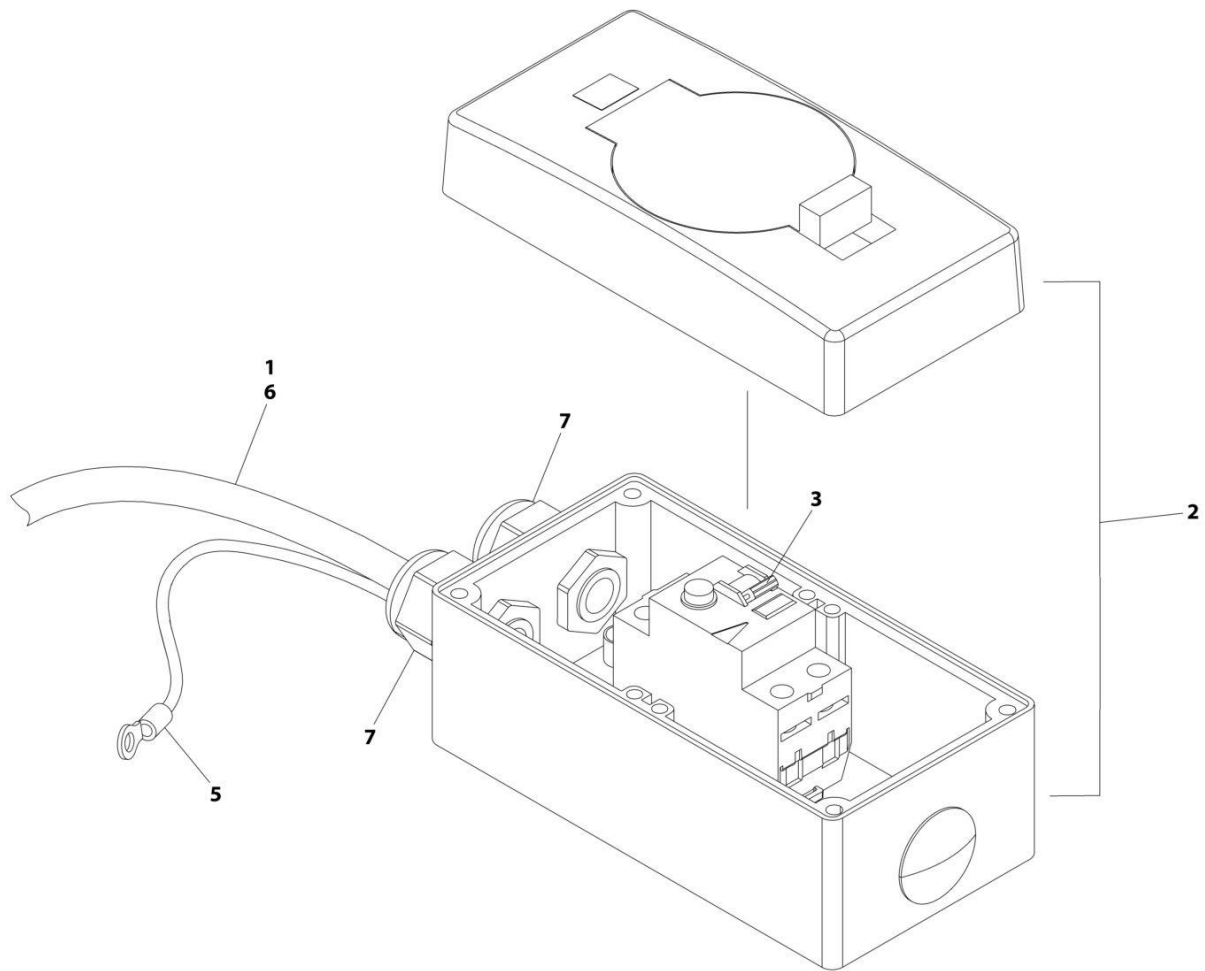
## SECTION 7 - ELECTRICAL

**FIGURE 7-9. AC BOX AT PLATFORM INSTALLATION - 220V CHINA PLUG (CHINA SPECS)**

ITEM	PART NUMBER	QTY	DESCRIPTION	REV
	1001238135	Ref	AC BOX AT PLATFORM INSTALLATION - 220V CHINA PLUG (CHINA SPECS)	A
1	0760408	4	Bolt M4 x 16	
2	3252507	1	Decal - 220 Volt	
3	3290405	4	Nut M4	
4	4240017	AR	Tie-Strap (Not Shown)	
5	4460315	1	Terminal (Not Shown)	
6	4460968	1	Connector, Strain Relief	
7	4811400	8	Washer M4	
8	1001102258	1	Decal - AC Label	
9	1001187816	1	Plug	
10	1001188116	1	Box	

# SECTION 7 - ELECTRICAL

## FIGURE 7-10. BREAKER BOX KIT (AUSTRALIAN SPEC)



ART\_1001245739

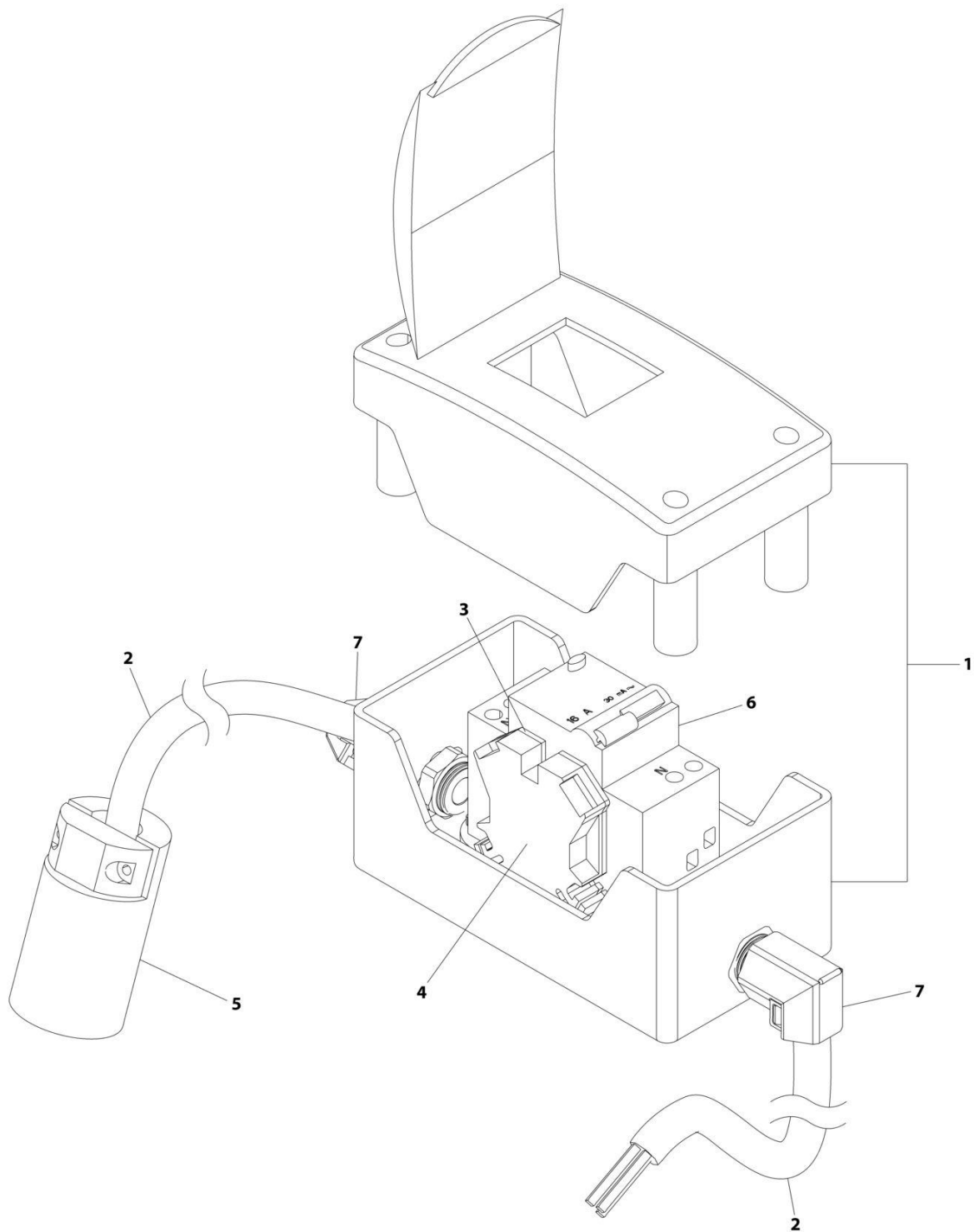
## SECTION 7 - ELECTRICAL

**FIGURE 7-10. BREAKER BOX KIT (AUSTRALIAN SPEC)**

ITEM	PART NUMBER	QTY	DESCRIPTION	REV
	1001245739	Ref	BREAKER BOX KIT	B
1	1060908	825 mm/ 32.5in	Cable	
2	1001227269	1	Enclosure	
3	1001228191	1	Breaker	
4	1001245743	1	Terminal (Not Shown)	
5	1001245744	1	Earth/Ground Link Harness	
6	1001125927	1	Conduit	
7	1001097150	2	Connector	

# SECTION 7 - ELECTRICAL

## FIGURE 7-11. BREAKER BOX KIT WITH 1 DOUBLE BREAKER (CE & UK CA SPECS)



ART\_1001209776

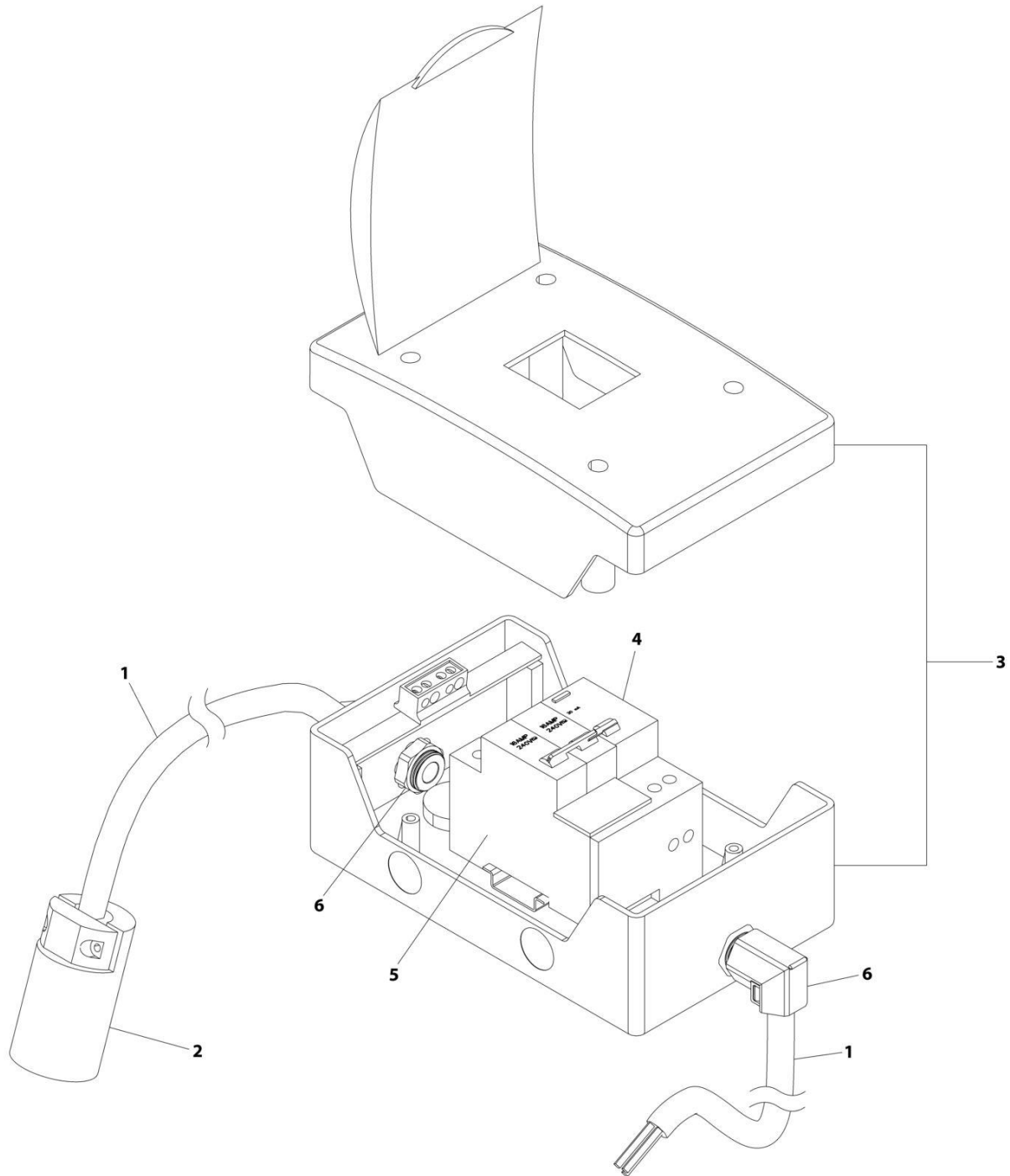
## SECTION 7 - ELECTRICAL

**FIGURE 7-11. BREAKER BOX KIT WITH 1 DOUBLE BREAKER (CE & UK CA SPECS)**

ITEM	PART NUMBER	QTY	DESCRIPTION	REV
	1001209776	Ref	BREAKER BOX KIT WITH 1 DOUBLE BREAKER	F
1	0861880	1	Box	
2	1060908	126 in /3.2m	Cable, 12/3	
3	4460956	1	Barrier, Terminal	
4	4460957	1	Block, Terminal	
5	1001120205	1	Connector, Female Twist	
6	1001181045	1	Breaker 30mAmp/16 Amp	
7	1001217164	2	Connector, Strain Relief 90	

# SECTION 7 - ELECTRICAL

## FIGURE 7-12. BREAKER BOX KIT WITH 3 BREAKERS (CE & UK CA SPECS)



ART\_1001209482



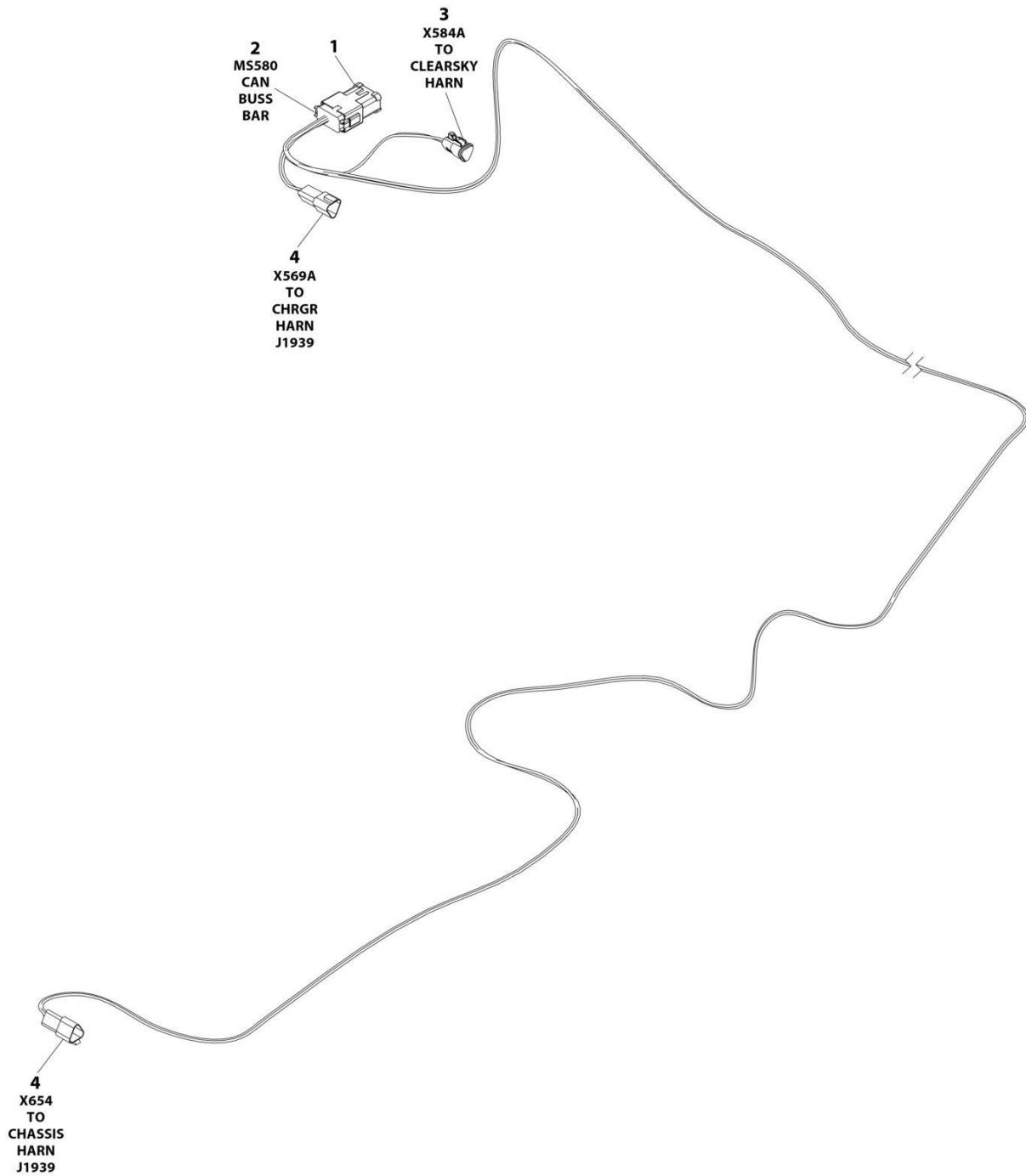
## SECTION 7 - ELECTRICAL

**FIGURE 7-12. BREAKER BOX KIT WITH 3 BREAKERS (CE & UK CA SPECS)**

ITEM	PART NUMBER	QTY	DESCRIPTION	REV
	1001209482	Ref	BREAKER BOX KIT WITH 3 BREAKERS	G
1	1060908	126 in /3.2m	Cable, 12/3	
2	1001120205	1	Connector, Female Twist	
3	1001152483	1	Box	
4	1001189171	1	Breaker, 30mAmp	
5	1001189172	1	Breaker 16 Amp, Double	
6	1001217164	2	Connector, Strain Relief 90	

# SECTION 7 - ELECTRICAL

## FIGURE 7-13. CAN SPLICE HARNESS (CHARGER WITH COMMUNICATION PORT)



ART\_1001254027

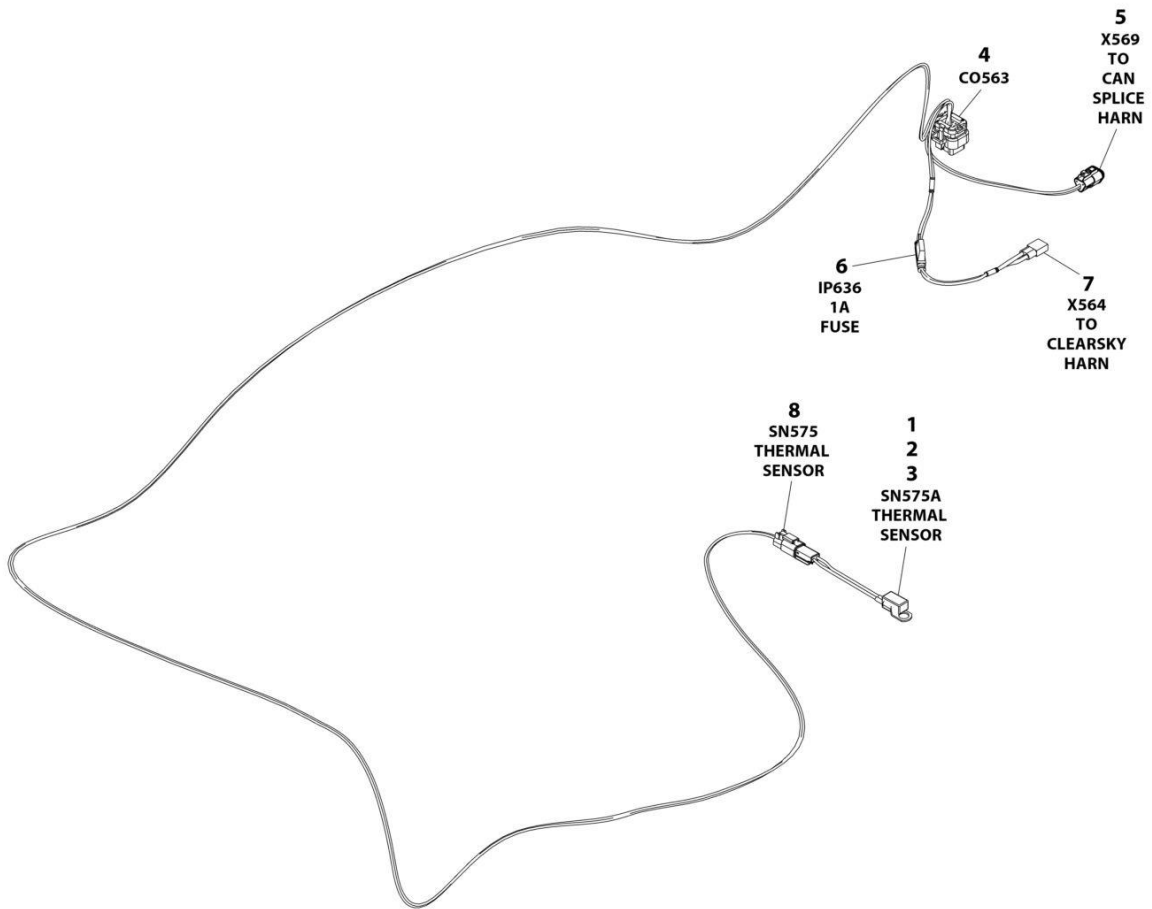
## SECTION 7 - ELECTRICAL

**FIGURE 7-13. CAN SPLICE HARNESS (CHARGER WITH COMMUNICATION PORT)**

ITEM	PART NUMBER	QTY	DESCRIPTION	REV
	1001254027	Ref	CAN SPLICE HARNESS	A
1	1001125677	1	Connector, Bus Bar - 12 Position	
2	4460933	1	Plug, Male - 12 Position	
2	4460944	6	Socket, Female	
2	4460466	6	Plug, Terminal	
3	1001118812	1	Plug, Male - 3 Position	
3	4460944	2	Socket, Female	
3	4460466	1	Plug, Terminal	
4	1001144147	2	Receptacle, Female - 3 Position	
4	4460943	4	Pin, Male	
4	4460466	2	Plug, Terminal	

# SECTION 7 - ELECTRICAL

## FIGURE 7-14. CHARGER HARNESS (CHARGER WITH COMMUNICATION PORT)



ART\_1001254028

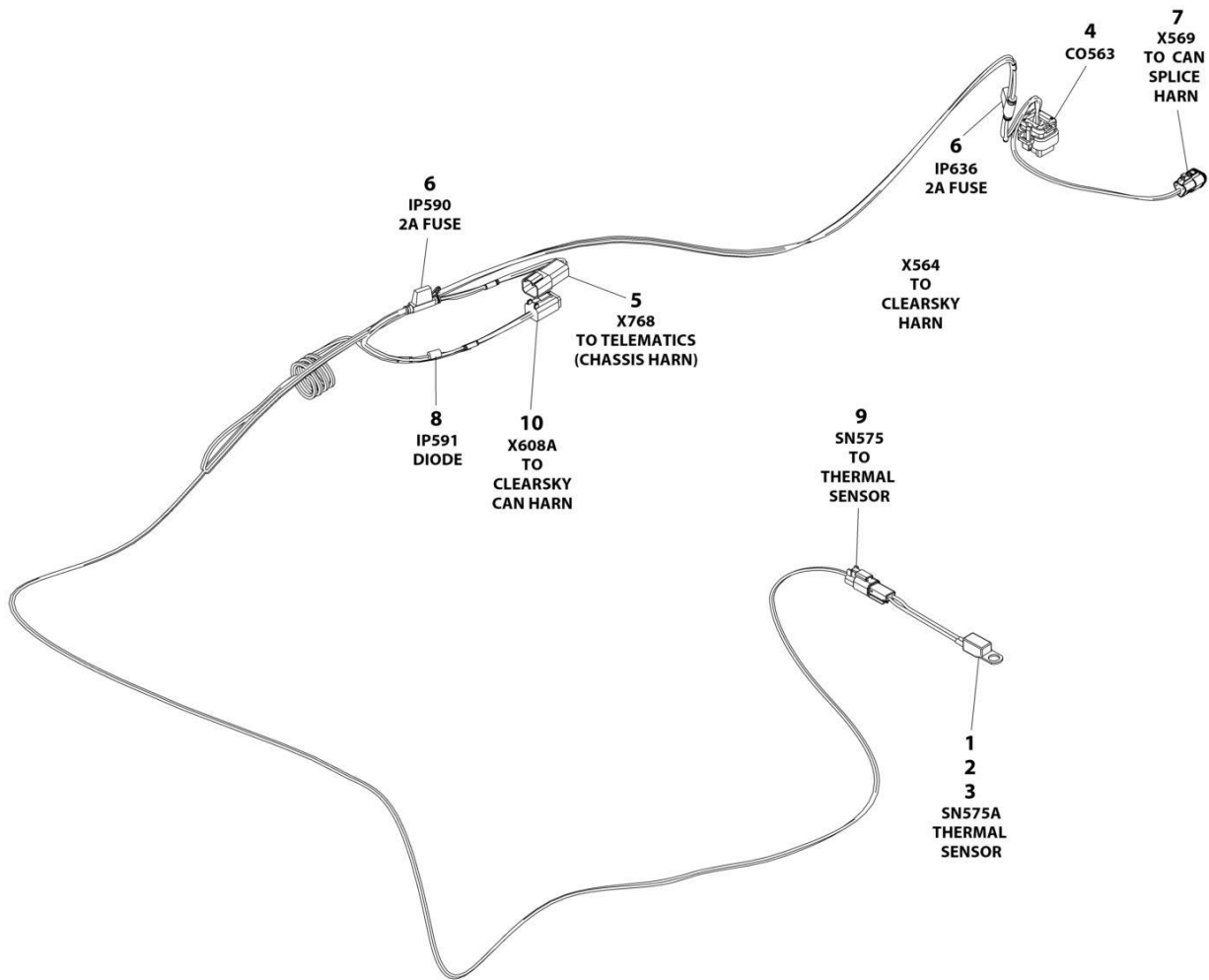
## SECTION 7 - ELECTRICAL

**FIGURE 7-14. CHARGER HARNESS (CHARGER WITH COMMUNICATION PORT)**

ITEM	PART NUMBER	QTY	DESCRIPTION	REV
	1001254028	Ref	CHARGER HARNESS	A
1	4460464	2	Pin, Male	
2	4460897	1	Receptacle, Female - 2 Position	
3	1001102771	1	Sensor, Temperature	
4	4460872	1	Connector - 14 Position	
4	4460871	6	Terminal	
4	4460905	8	Plug, Terminal	
5	1001116812	1	Plug, Male - 3 Position	
5	4460944	2	Socket, Female	
5	4460466	1	Plug, Terminal	
6	2400060	1	Fuseholder With Cover	
6	1001228388	1	Fuse 1A	
7	4460424	1	Receptacle, Female - 2 Position	
7	4460227	2	Pin, Male	
8	4460891	1	Plug, Male - 2 Position	
8	4460465	2	Socket, Female	

# SECTION 7 - ELECTRICAL

## FIGURE 7-15. CHARGER HARNESS (CHARGER WITH COMMUNICATION PORT)



ART\_1001254028\_C

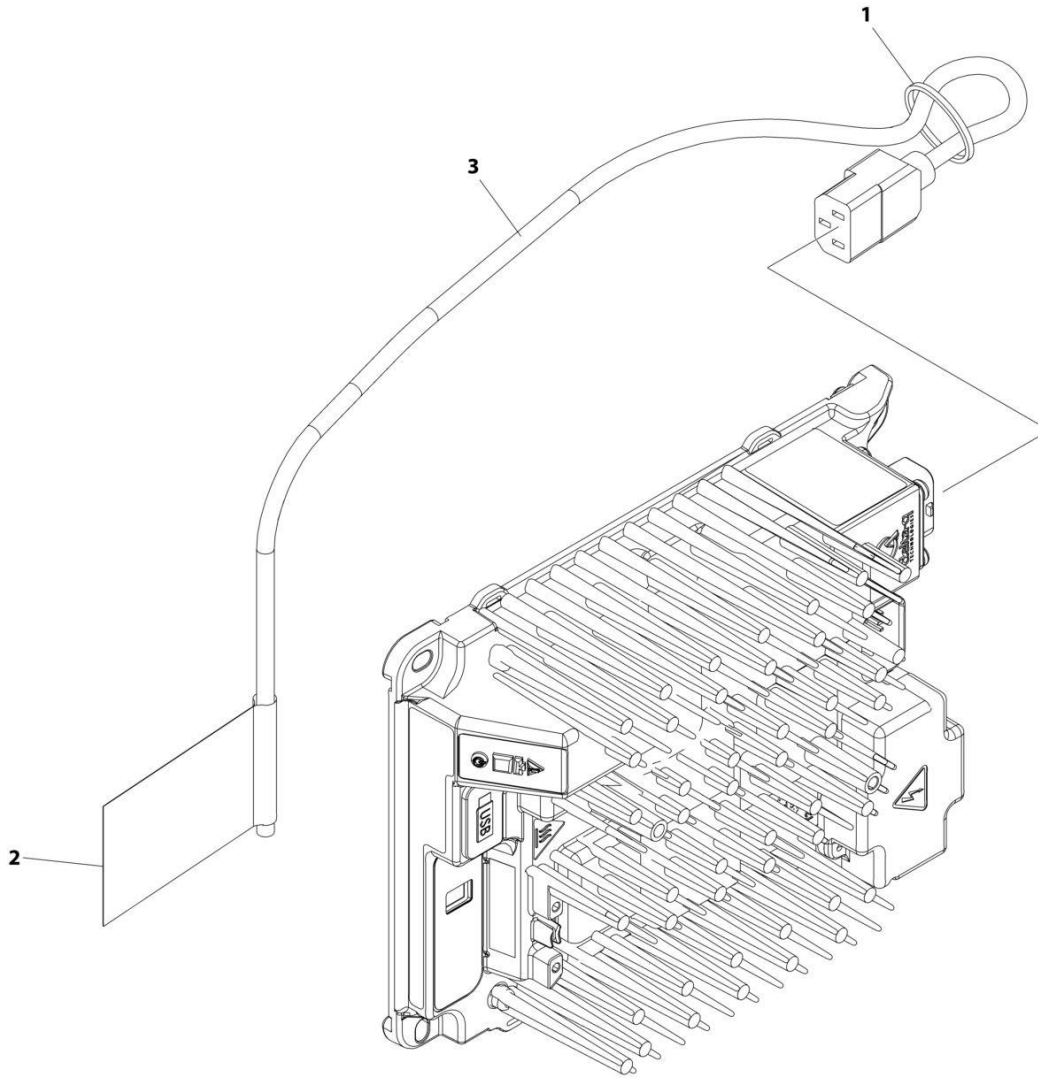
## SECTION 7 - ELECTRICAL

**FIGURE 7-15. CHARGER HARNESS (CHARGER WITH COMMUNICATION PORT)**

ITEM	PART NUMBER	QTY	DESCRIPTION	REV
	1001254028	Ref	CHARGER HARNESS	C
1	4460464	2	Pin, Male	
2	4460897	1	Receptacle, Female - 2 Position	
3	1001102771	1	Sensor, Temperature	
4	4460872	1	Connector - 14 Position	
4	4460871	6	Terminal	
4	4460905	8	Plug, Terminal	
5	4460932	1	Receptacle, Female - 4 Position	
5	4460464	1	Pin, Male	
6	2400060	2	Fuseholder With Cover	
6	1001196634	2	Fuse 2A	
7	1001116812	1	Plug, Male - 3 Position	
7	4460944	2	Socket, Female	
7	4460466	1	Plug, Terminal	
8	3990001	1	Diode	
9	4460891	1	Plug, Male - 2 Position	
9	4460465	2	Socket, Female	
10	4460884	1	Plug, Male - 4 Position	
10	4460465	4	Socket, Female	

# SECTION 7 - ELECTRICAL

## FIGURE 7-16. CHARGER PLUG INSTALLATION (NO PLUG)



ART\_1001248631



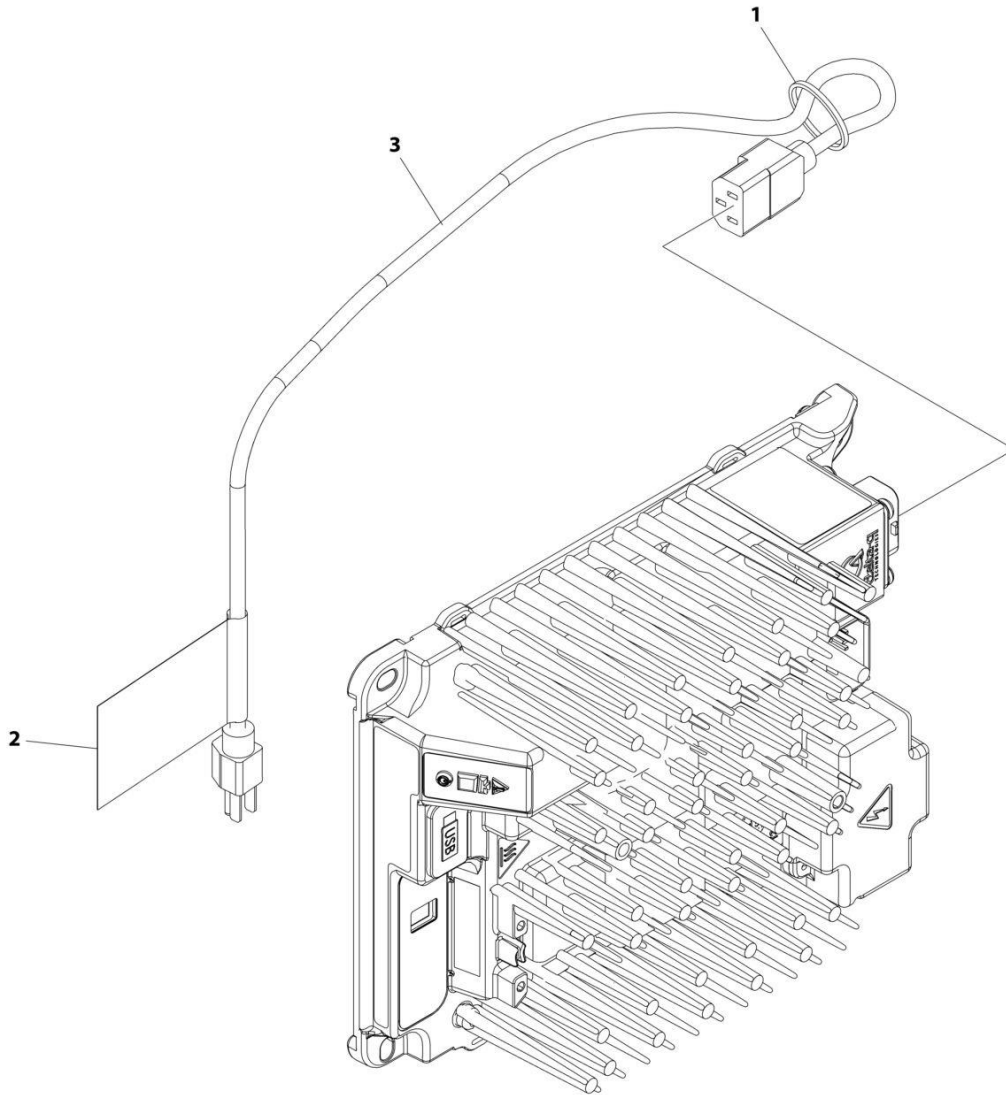
## SECTION 7 - ELECTRICAL

### FIGURE 7-16. CHARGER PLUG INSTALLATION (NO PLUG)

ITEM	PART NUMBER	QTY	DESCRIPTION	REV
	1001248631	Ref	CHARGER PLUG INSTALLATION	B
1	4240017	AR	Tie-Strap	
2	1001102489	1	Decal - Charger	
3	1001207974	1	Cable, Charger Plug (No Plug)	

# SECTION 7 - ELECTRICAL

## FIGURE 7-17. CHARGER PLUG INSTALLATION (110V PLUG)



ART\_1001248632

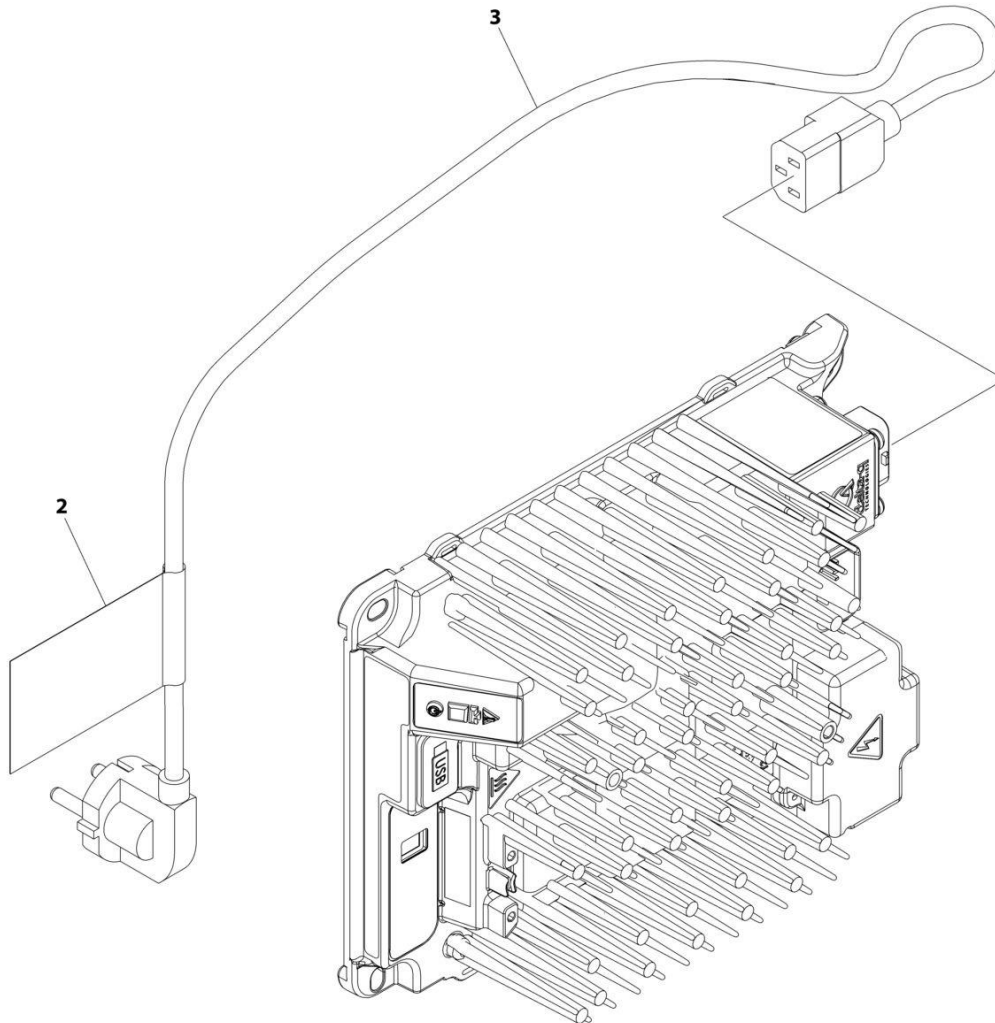
## SECTION 7 - ELECTRICAL

**FIGURE 7-17. CHARGER PLUG INSTALLATION (110V PLUG)**

ITEM	PART NUMBER	QTY	DESCRIPTION	REV
	1001248632	Ref	CHARGER PLUG INSTALLATION	B
1	4240017	AR	Tie-Strap	
2	1001102489	1	Decal - Charger	
3	1001207970	1	Cable, Charger Plug	

# SECTION 7 - ELECTRICAL

## FIGURE 7-18. CHARGER PLUG INSTALLATION (KOREAN PLUG)



ART\_1001248634

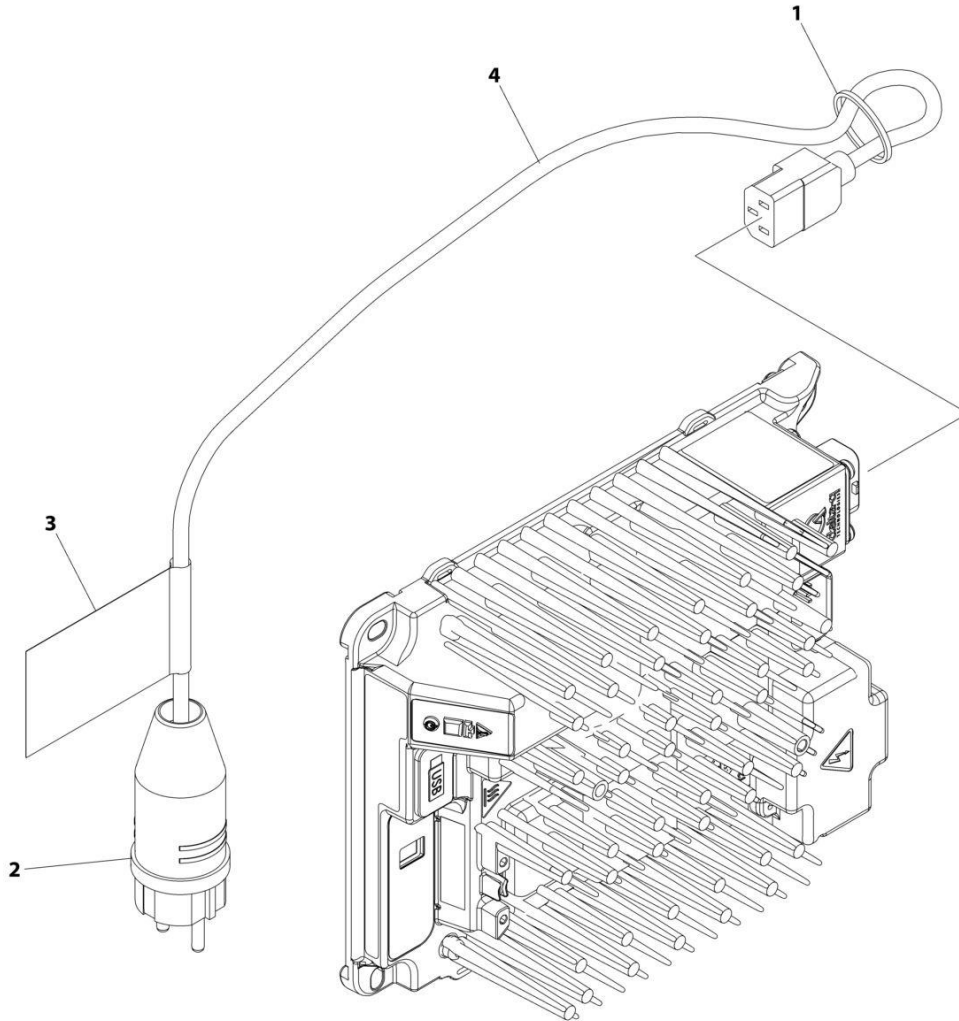
## SECTION 7 - ELECTRICAL

**FIGURE 7-18. CHARGER PLUG INSTALLATION (KOREAN PLUG)**

ITEM	PART NUMBER	QTY	DESCRIPTION	REV
	1001248634	Ref	CHARGER PLUG INSTALLATION	A
1	4240017	AR	Tie-Strap (Not Shown)	
2	1001102489	1	Decal - Charger Label	
3	1001221949	1	Cable, Charger AC Input	

# SECTION 7 - ELECTRICAL

## FIGURE 7-19. CHARGER PLUG INSTALLATION (CEE7 PLUG)



ART\_1001258768

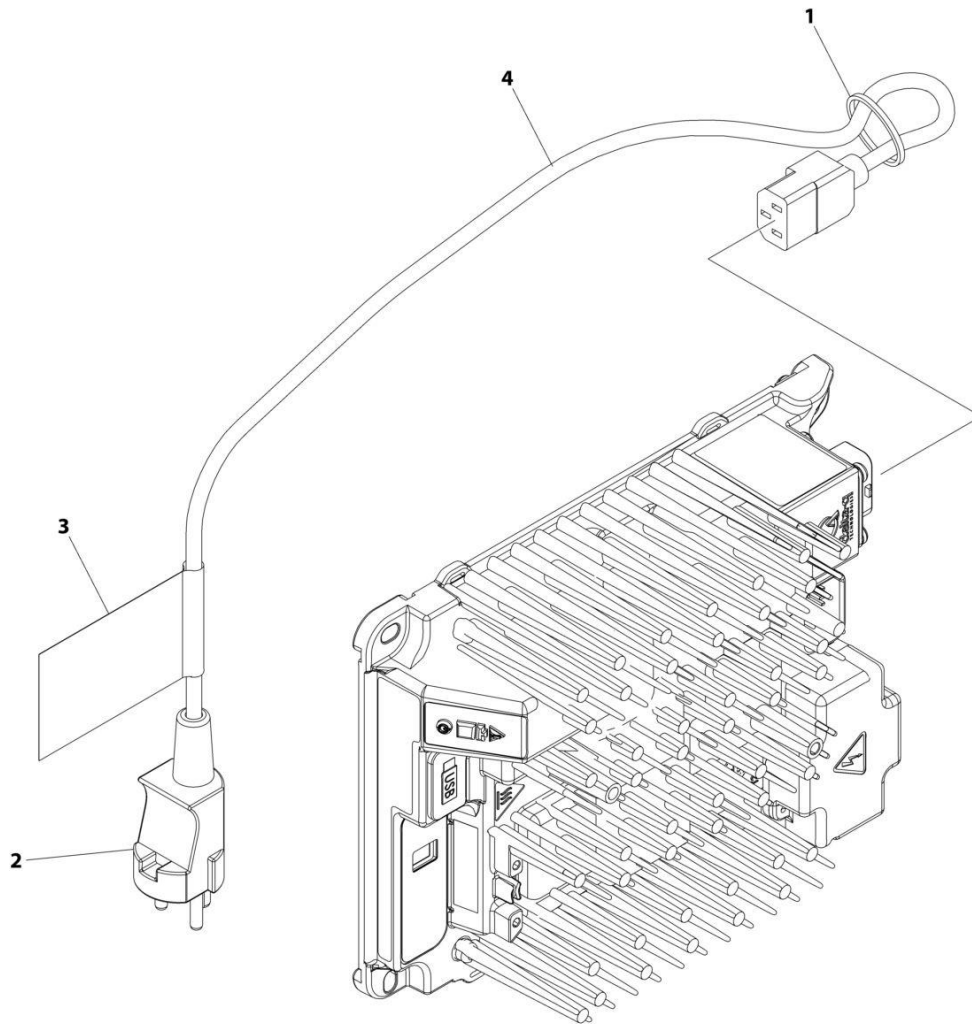
## SECTION 7 - ELECTRICAL

**FIGURE 7-19. CHARGER PLUG INSTALLATION (CEE7 PLUG)**

ITEM	PART NUMBER	QTY	DESCRIPTION	REV
	1001258768	Ref	CHARGER PLUG INSTALLATION	A
1	4240017	AR	Tie-Strap	
2	4461205	1	Terminal	
3	1001102489	1	Decal - Charger	
4	1001207974	1	Cable, Charger Plug (No Plug)	

# SECTION 7 - ELECTRICAL

## FIGURE 7-20. CHARGER PLUG INSTALLATION (AFSINT 107 PLUG)



ART\_1001258770



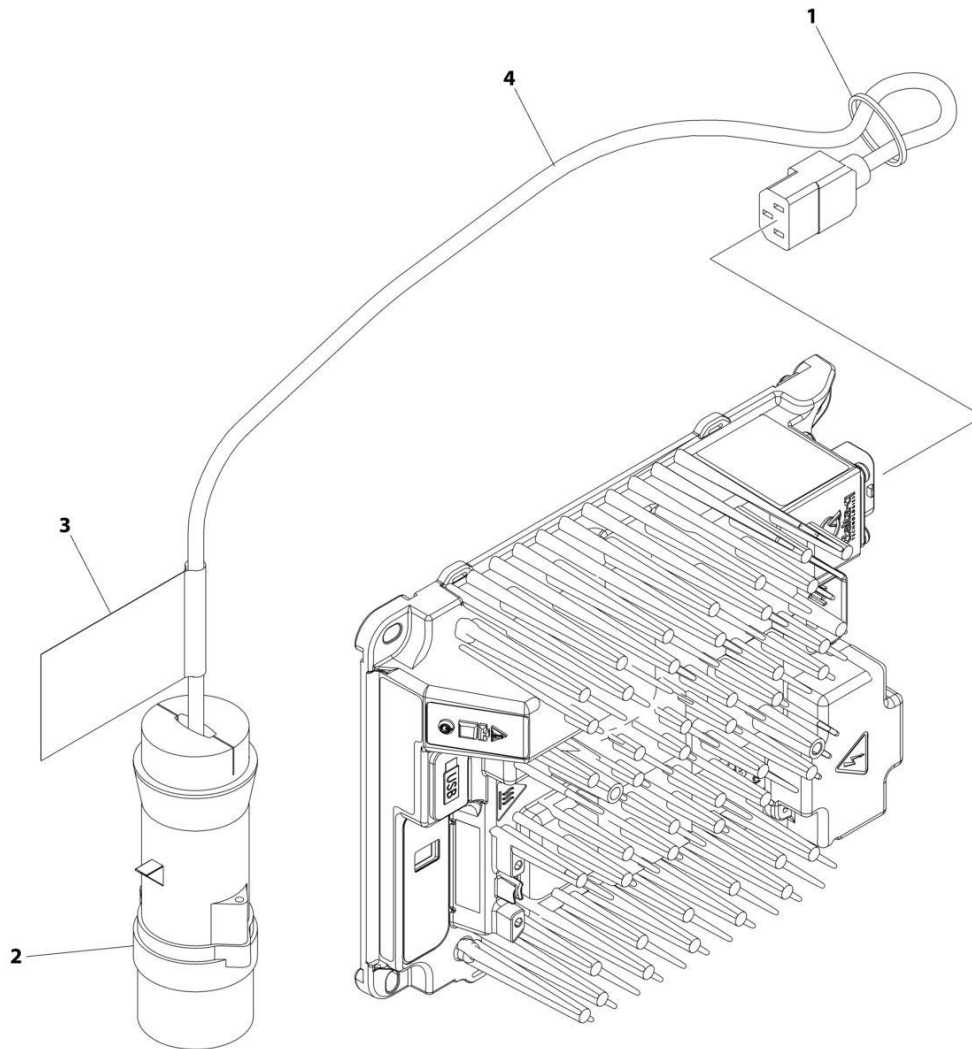
## SECTION 7 - ELECTRICAL

**FIGURE 7-20. CHARGER PLUG INSTALLATION (AFSINT 107 PLUG)**

ITEM	PART NUMBER	QTY	DESCRIPTION	REV
	1001258770	Ref	CHARGER PLUG INSTALLATION	A
1	4240017	AR	Tie-Strap	
2	4461249	1	Terminal	
3	1001102489	1	Decal - Charger	
4	1001207974	1	Cable, Charger Plug (No Plug)	

# SECTION 7 - ELECTRICAL

## FIGURE 7-21. CHARGER PLUG INSTALLATION (IEC YELLOW PLUG)



ART\_1001258771

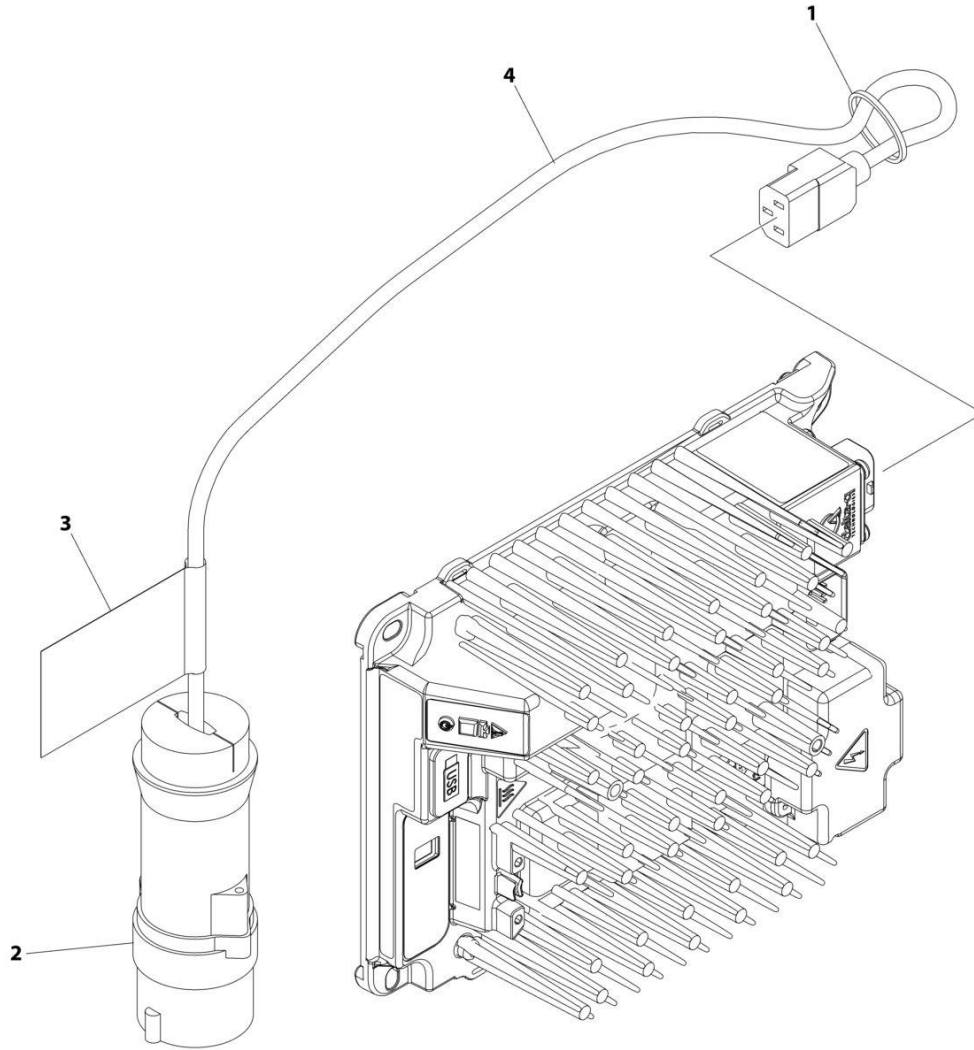
## SECTION 7 - ELECTRICAL

**FIGURE 7-21. CHARGER PLUG INSTALLATION (IEC YELLOW PLUG)**

ITEM	PART NUMBER	QTY	DESCRIPTION	REV
	1001258771	Ref	CHARGER PLUG INSTALLATION	A
1	4240017	AR	Tie-Strap	
2	4461196	1	Terminal	
3	1001102489	1	Decal - Charger	
4	1001207974	1	Cable, Charger Plug (No Plug)	

# SECTION 7 - ELECTRICAL

## FIGURE 7-22. CHARGER PLUG INSTALLATION (IEC BLUE PLUG)



ART\_1001258772

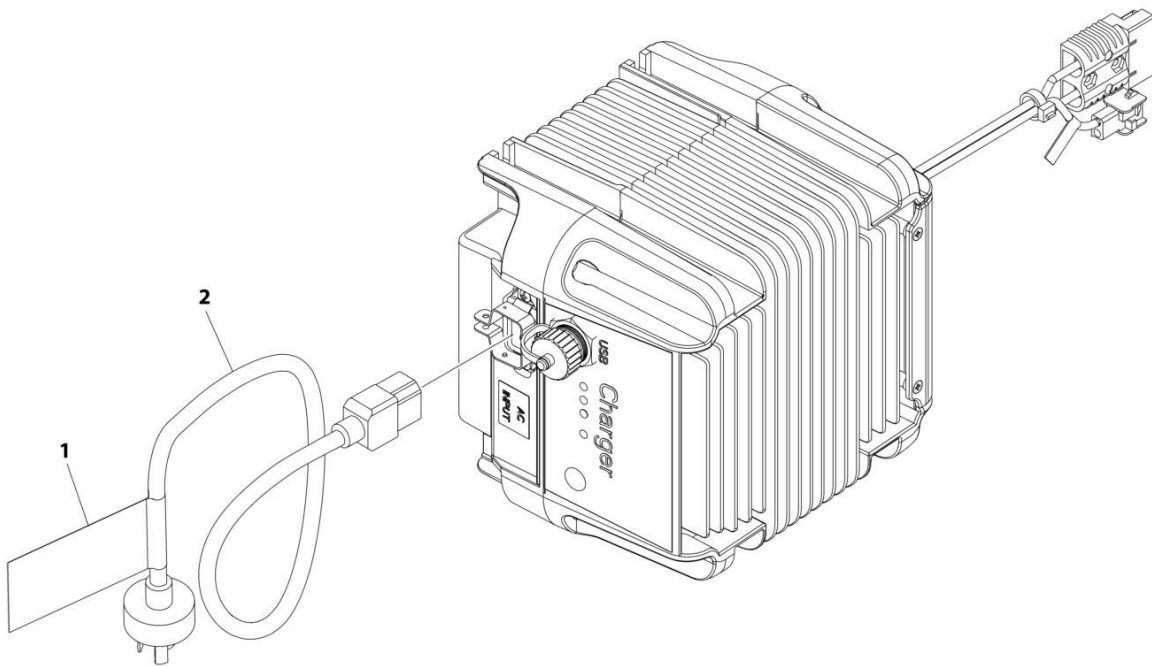
## SECTION 7 - ELECTRICAL

**FIGURE 7-22. CHARGER PLUG INSTALLATION (IEC BLUE PLUG)**

ITEM	PART NUMBER	QTY	DESCRIPTION	REV
	1001258772	Ref	CHARGER PLUG INSTALLATION	A
1	4240017	AR	Tie-Strap	
2	4461199	1	Terminal	
3	1001102489	1	Decal - Charger	
4	1001207974	1	Cable, Charger Plug (No Plug)	

# SECTION 7 - ELECTRICAL

## FIGURE 7-23. CHARGER PLUG INSTALLATION (CHINA PLUG)



ART\_1001263294

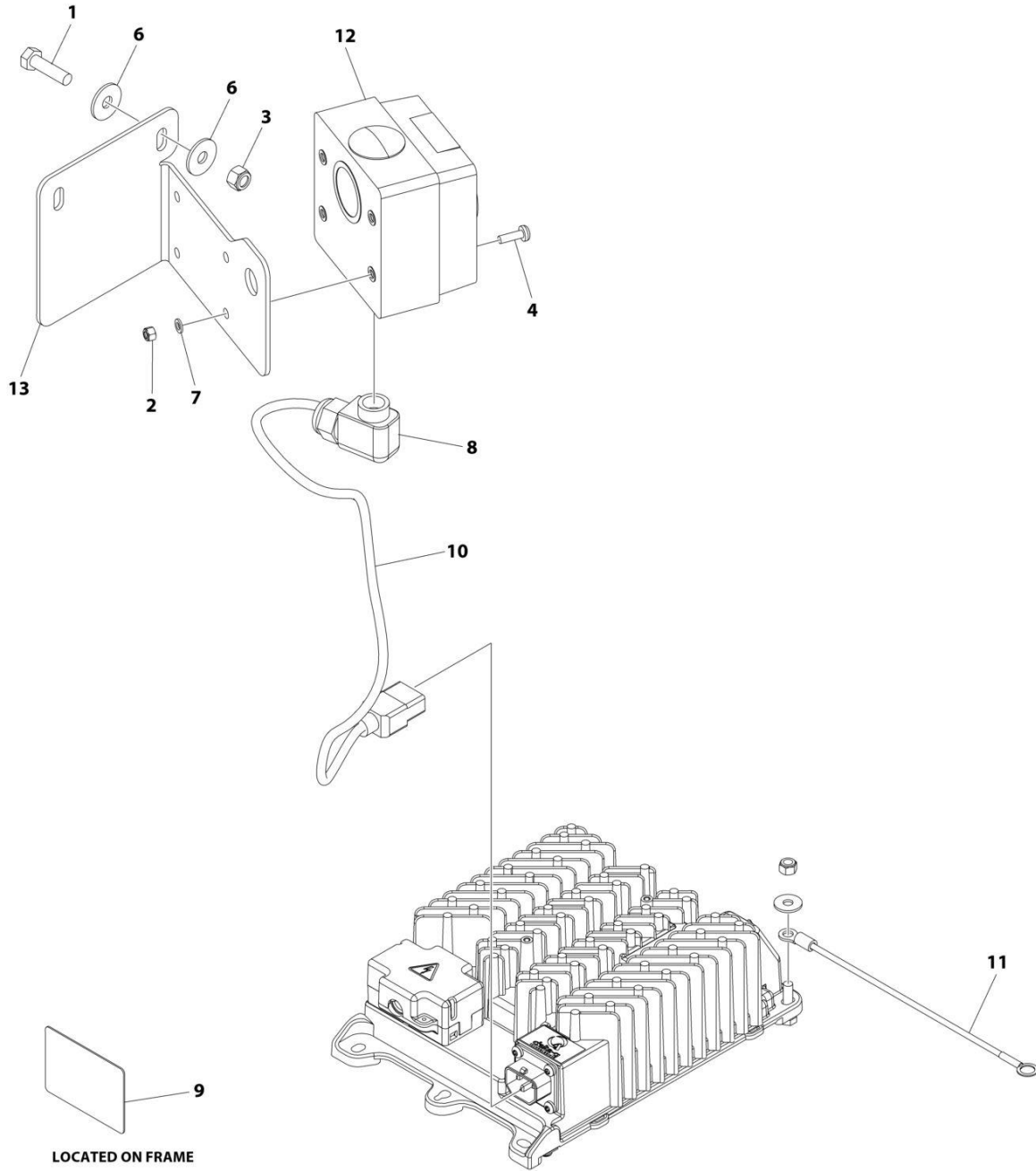
## SECTION 7 - ELECTRICAL

**FIGURE 7-23. CHARGER PLUG INSTALLATION (CHINA PLUG)**

ITEM	PART NUMBER	QTY	DESCRIPTION	REV
	1001263294	Ref	CHARGER PLUG INSTALLATION	A
1	1001102489	1	Decal - Charger Label	
2	1001207973	1	Cable, Charger AC Input	

# SECTION 7 - ELECTRICAL

## FIGURE 7-24. CHARGER PLUG INSTALLATION (AUSTRALIAN PLUG)



ART\_1001263296



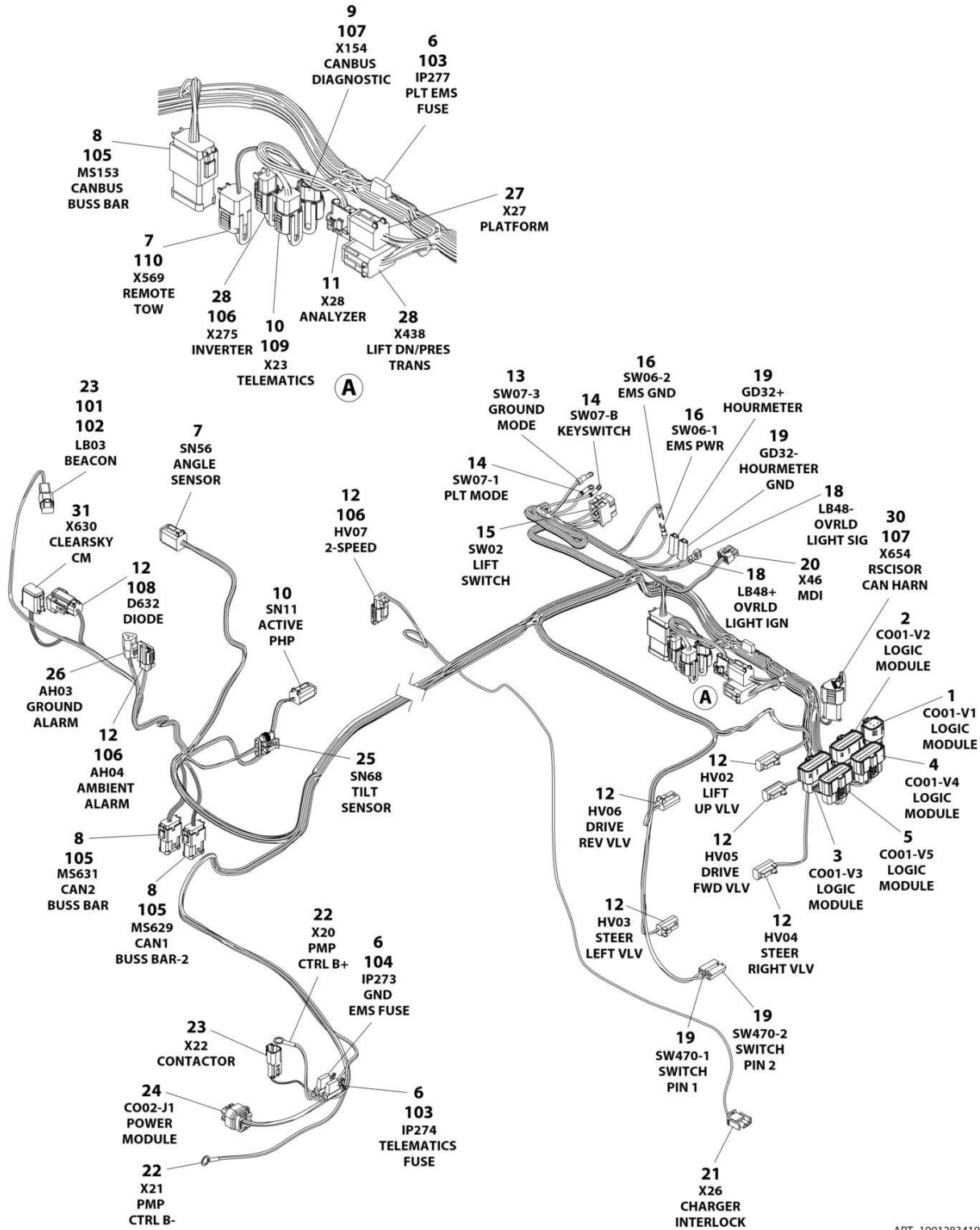
## SECTION 7 - ELECTRICAL

**FIGURE 7-24. CHARGER PLUG INSTALLATION (AUSTRALIAN PLUG)**

ITEM	PART NUMBER	QTY	DESCRIPTION	REV
	1001263296	Ref	CHARGER PLUG INSTALLATION	A
1	0700814	2	Bolt M8 x 30	
2	3290505	4	Nut M5	
3	3290805	2	Nut M8	
4	3900381	4	Screw M5 x 16	
5	4240017	AR	Tie-Strap (Not Shown)	
6	4811902	4	Washer M8	
7	4831600	4	Washer M5	
8	1001103471	1	Connector Strain Relief 90	
9	1001134280	1	Decal - Charger	
10	1001207974	1	Cable, Charger AC Input	
11	1001227219	1	Ground Harness	
12	1001227267	1	Receptacle Australian - 230V	
13	1001244644	1	Bracket	

# SECTION 7 - ELECTRICAL

## FIGURE 7-25. CHASSIS HARNESS



ART\_1001283410

# SECTION 7 - ELECTRICAL

## FIGURE 7-25. CHASSIS HARNESS

ITEM	PART NUMBER	QTY	DESCRIPTION	REV
	1001283410	Ref	CHASSIS HARNESS	B
1	1001205409	1	Connector	
1	1001162887	8	Terminal	
2	1001205410	1	Connector	
2	1001162887	14	Terminal	
2	1001163340	6	Plug	
3	1001162886	1	Connector	
3	1001162887	16	Terminal	
3	1001163340	4	Plug	
4	1001205411	1	Connector	
4	1001162887	17	Terminal	
4	1001163340	3	Plug	
5	1001205412	1	Connector	
5	1001162887	19	Terminal	
5	1001163340	1	Plug	
6	2400060	3	Holder/Cover, Fuse	
7	4460894	2	Connector	
7	4460465	10	Socket	
7	4460466	2	Plug	
8	4460933	3	Connector	
8	4460944	24	Socket	
8	4460466	12	Plug	
9	1001116812	1	Connector	
9	4060944	2	Socket	
9	4460466	1	Plug	
10	4460884	3	Connector	
10	4460465	12	Socket	
11	4460761	1	Connector	
11	4460227	4	Socket	
12	4460891	7	Connector	
12	4460465	14	Socket	
13	4460042	1	Terminal, Ring	
14	4460247	2	Terminal, Ring	
15	4460418	1	Connector	
15	1001159186	3	Terminal	
16	4460115	2	Terminal, Ring	
18	1001201885	2	Terminal	
19	4460260	4	Connector	
19	4460259	4	Terminal	
20	1001151629	1	Connector	
20	4461023	2	Socket (Gold)	
20	4460877	2	Socket (Tin)	
21	4460320	1	Connector	
21	4460226	1	Socket	
22	4460019	2	Terminal	
23	4460897	2	Connector	
23	4460464	4	Pin	
24	1001113961	1	Connector	
24	4460871	4	Socket	
24	4460905	4	Plug	

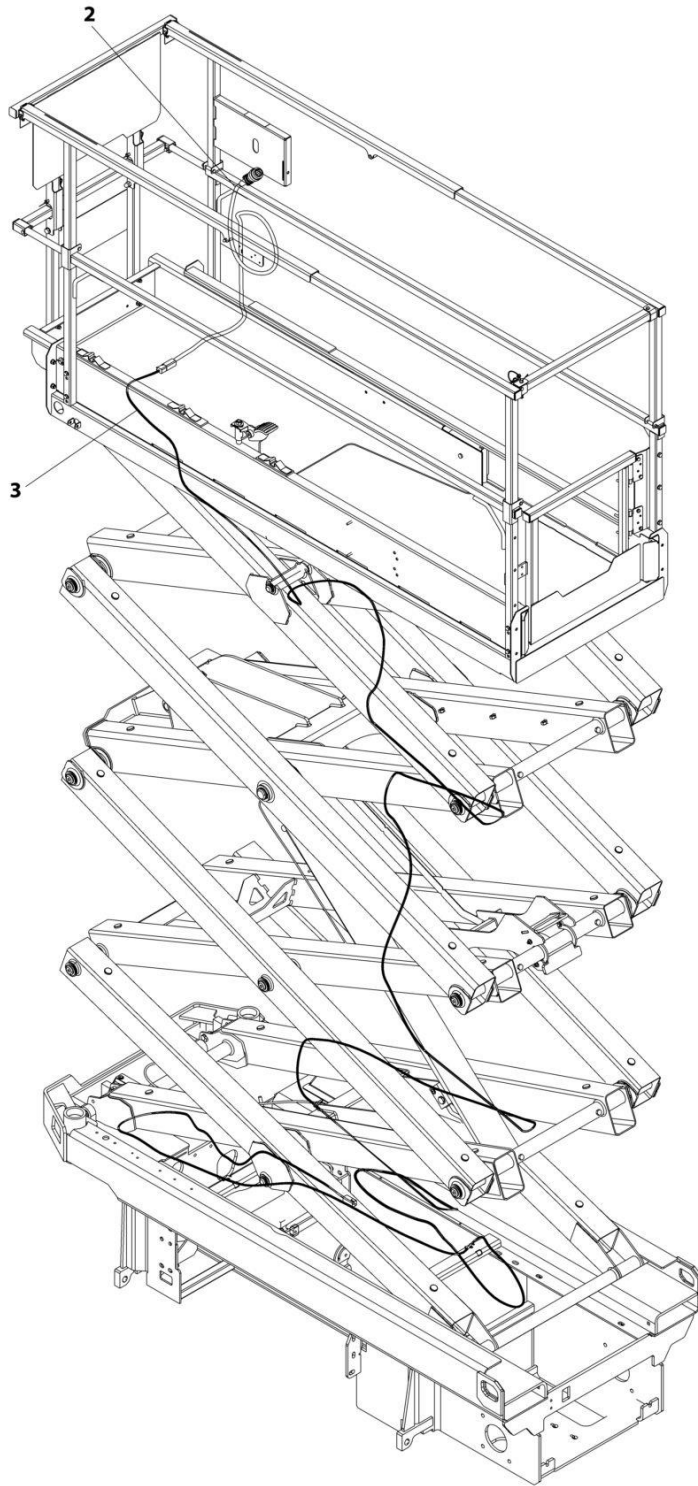
## SECTION 7 - ELECTRICAL

ITEM	PART NUMBER	QTY	DESCRIPTION	REV
25	1001103012	1	Connector	
25	1001196589	4	Terminal	
25	1001104498	4	Seal,Terminal	
26	4460539	1	Connector	
26	4460465	3	Socket	
27	4460894	1	Connector	
27	4460465	4	Socket (Nickel)	
27	4460944	2	Socket (Gold)	
28	4460933	1	Connector	
28	4460465	10	Socket	
28	4460466	2	Plug	
29	4460891	1	Connector	
29	4460465	1	Socket	
29	4460466	1	Plug	
30	4460965	1	Connector	
30	4460944	2	Socket	
30	4460466	1	Plug	
31	4460930	1	Connector	
31	4460465	8	Socket	
101	4460466	2	Plug	
102	4460891	1	Connector	
103	8229242	2	Fuse, 5 Amp	
104	8229244	1	Fuse, 15 Amp	
105	1001125677	1	Connector, Bussbar	
106	1001144295	3	Cap - 2 Position	
107	1001144296	1	Cap - 3 Position	
108	1001152266	3	Connector	
109	1001192401	1	Cap, Dust	
110	1001213448	2	Connector, Dust Cap	



## SECTION 7 - ELECTRICAL

FIGURE 7-26. GROUND TO PLATFORM CABLE INSTALLATION - WITHOUT PLATFORM COIL CABLE  
(MACHINES WITH SN STARTING WITH 12, B2 & G2)



ART\_1001239675

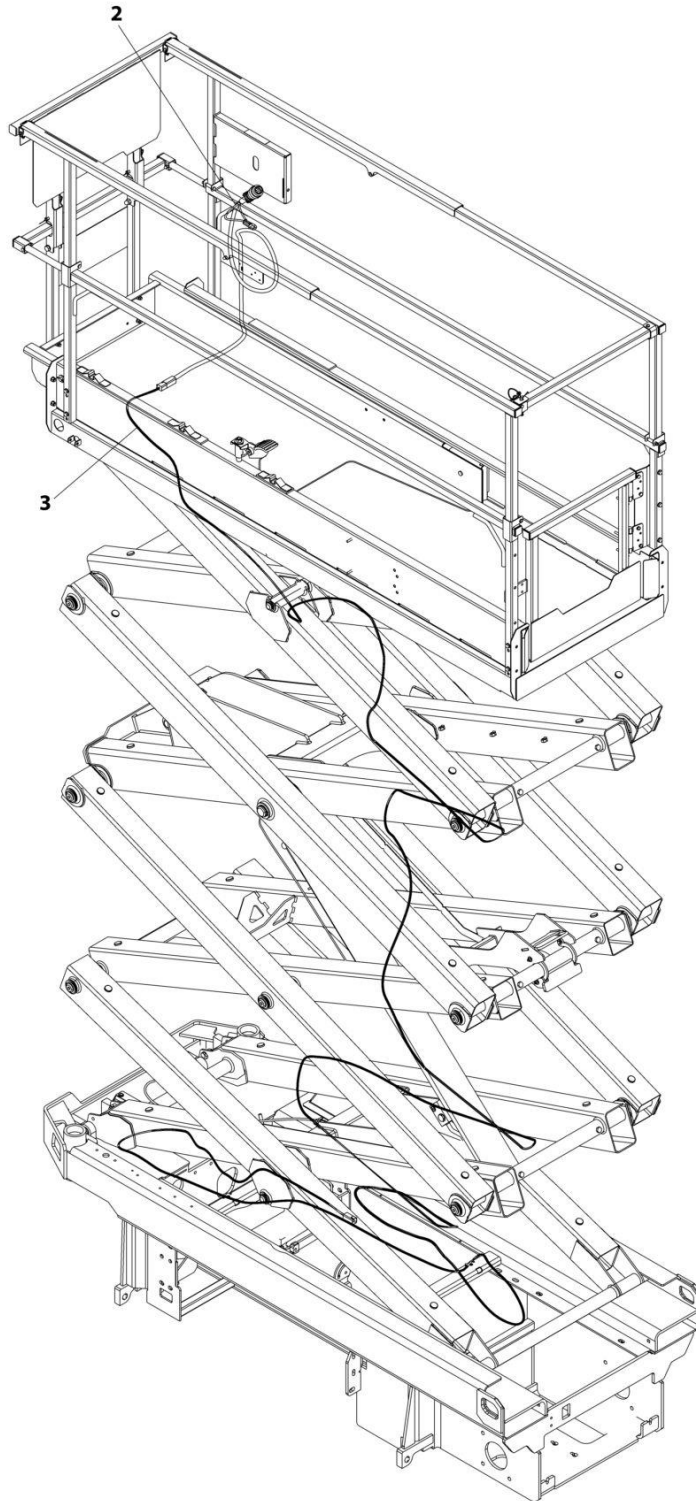
## SECTION 7 - ELECTRICAL

**FIGURE 7-26. GROUND TO PLATFORM CABLE INSTALLATION - WITHOUT PLATFORM COIL CABLE  
(MACHINES WITH SN STARTING WITH 12, B2 & G2)**

ITEM	PART NUMBER	QTY	DESCRIPTION	REV
	1001239675	Ref	GROUND TO PLATFORM CABLE INSTALLATION - WITHOUT PLATFORM COIL CABLE	F
1	4240017	AR	Tie-Strap (Not Shown)	
2	1001200812	1	Platform Harness	
2	4460899	1	Receptacle, Female - 6 Position (To Item 3)	
2	4460464	4	Pin, Male	
2	4460943	2	Pin, Male	
2	4460754	1	Connector - 14 Position (To Console Box)	
2	4460465	8	Socket, Female	
2	4460466	6	Plug, Terminal	
3	1001237132	1	Cable Assembly - Ground to Platform	
3	4460894	1	Plug, Male - 6 Position (To Platform Harness Item 2)	
3	4460465	4	Socket, Female	
3	4460944	2	Socket, Female	
3	4460899	1	Receptacle, Female - 6 Position (To Chassis Harness)	
3	4460464	4	Pin, Male	
3	4460943	2	Pin, Male	

## SECTION 7 - ELECTRICAL

FIGURE 7-27. GROUND TO PLATFORM CABLE INSTALLATION - WITHOUT PLATFORM COIL CABLE & WITH FOOTSWITCH (MACHINES WITH SN STARTING WITH 12, B2 & G2)



ART\_1001239677



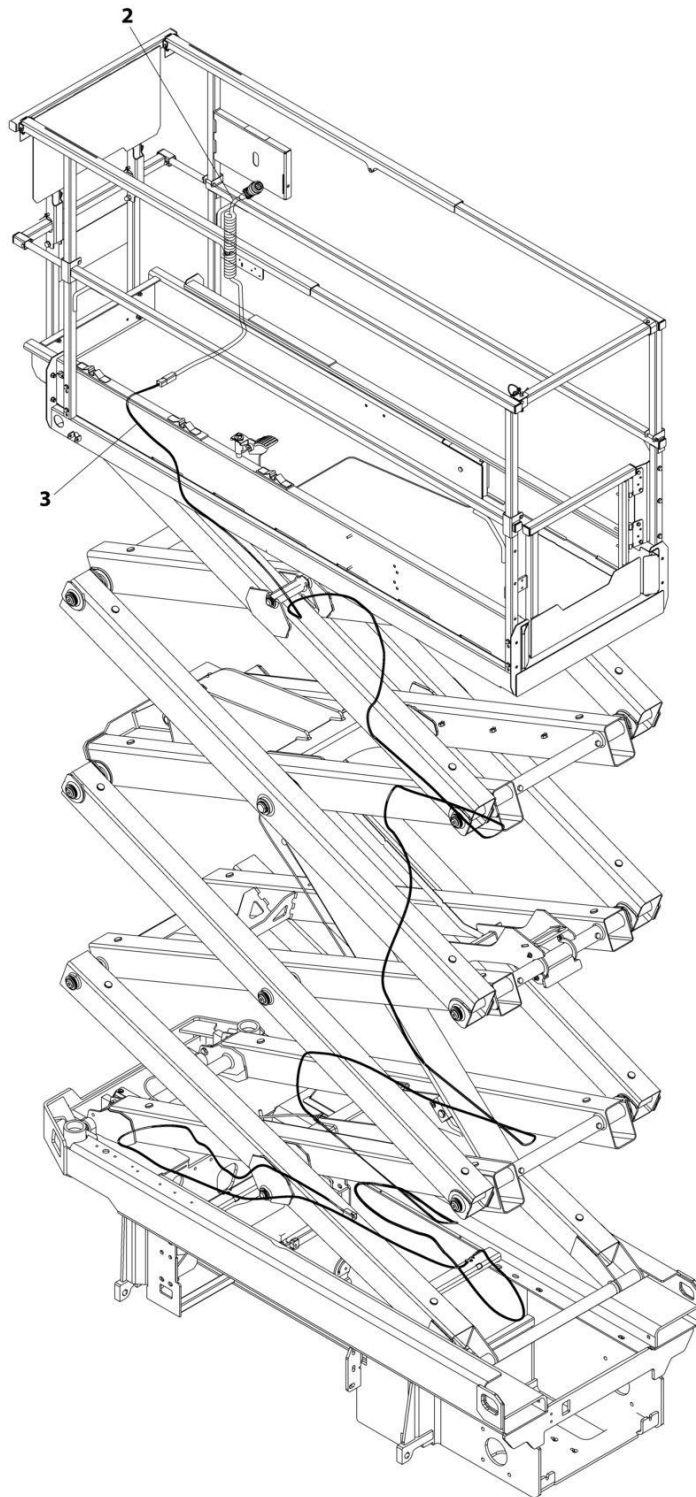
## SECTION 7 - ELECTRICAL

**FIGURE 7-27. GROUND TO PLATFORM CABLE INSTALLATION - WITHOUT PLATFORM COIL CABLE & WITH FOOTSWITCH (MACHINES WITH SN STARTING WITH 12, B2 & G2)**

ITEM	PART NUMBER	QTY	DESCRIPTION	REV
	1001239677	Ref	GROUND TO PLATFORM CABLE INSTALLATION - WITHOUT PLATFORM COIL CABLE AND WITH FOOTSWITCH	F
1	4240017	AR	Tie-Strap (Not Shown)	
2	1001223263	1	Platform Harness	
2	4460899	1	Receptacle, Female - 6 Position (To Item 3)	
2	4460464	4	Pin, Male	
2	4460943	2	Pin, Male	
2	4460754	1	Connector - 14 Position (To Console Box)	
2	4460465	8	Socket, Female	
2	4460944	2	Socket, Female	
2	4460466	4	Plug, Terminal	
2	4460891	1	Plug, Male - 2 Position (To Footswitch)	
2	4460465	2	Socket, Female	
2	4460897	1	Receptacle, Female - 2 Position (Footswitch Jumper)	
2	4460464	2	Pin, Male	
2	4460539	1	Plug, Male - 3 Position (To Overhead Switches)	
2	4460465	2	Socket, Female	
2	4460466	1	Plug, Terminal	
3	1001237132	1	Cable Assembly - Ground to Platform	
3	4460894	1	Plug, Male - 6 Position (To Platform Harness Item 2)	
3	4460465	4	Socket, Female	
3	4460944	2	Socket, Female	
3	4460899	1	Receptacle, Female - 6 Position (To Chassis Harness)	
3	4460464	4	Pin, Male	
3	4460943	2	Pin, Male	

## SECTION 7 - ELECTRICAL

FIGURE 7-28. GROUND TO PLATFORM CABLE INSTALLATION - WITH PLATFORM COIL CABLE  
(MACHINES WITH SN STARTING WITH 12, B2 & G2)



ART\_1001239676

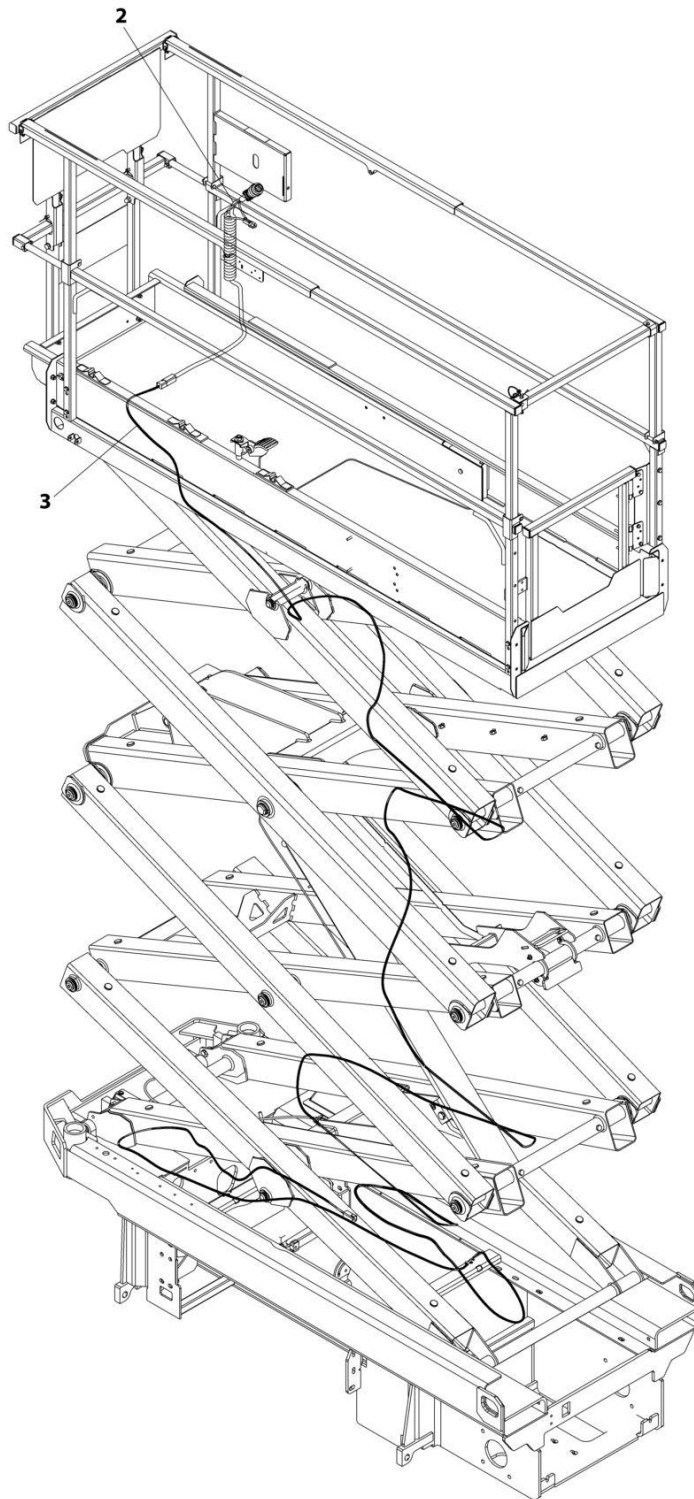
## SECTION 7 - ELECTRICAL

**FIGURE 7-28. GROUND TO PLATFORM CABLE INSTALLATION - WITH PLATFORM COIL CABLE  
(MACHINES WITH SN STARTING WITH 12, B2 & G2)**

ITEM	PART NUMBER	QTY	DESCRIPTION	REV
	1001239676	Ref	GROUND TO PLATFORM CABLE INSTALLATION - WITH PLATFORM COIL CABLE	F
1	4240017	AR	Tie-Strap (Not Shown)	
2	1001202184	1	Platform Harness	
2	4460899	1	Receptacle, Female - 6 Position (To Item 3)	
2	4460464	4	Pin, Male	
2	4460943	2	Pin, Male	
2	4460754	1	Connector - 14 Position (To Console Box)	
2	4460465	8	Socket, Female	
2	4460466	6	Plug, Terminal	
3	1001237132	1	Cable Assembly - Ground to Platform	
3	4460894	1	Plug, Male - 6 Position (To Platform Harness Item 2)	
3	4460465	4	Socket, Female	
3	4460944	2	Socket, Female	
3	4460899	1	Receptacle, Female - 6 Position (To Chassis Harness)	
3	4460464	4	Pin, Male	
3	4460943	2	Pin, Male	

## SECTION 7 - ELECTRICAL

FIGURE 7-29. GROUND TO PLATFORM CABLE INSTALLATION - WITH PLATFORM COIL CABLE & FOOTSWITCH (MACHINES WITH SN STARTING WITH 12, B2 & G2)



ART\_1001239678

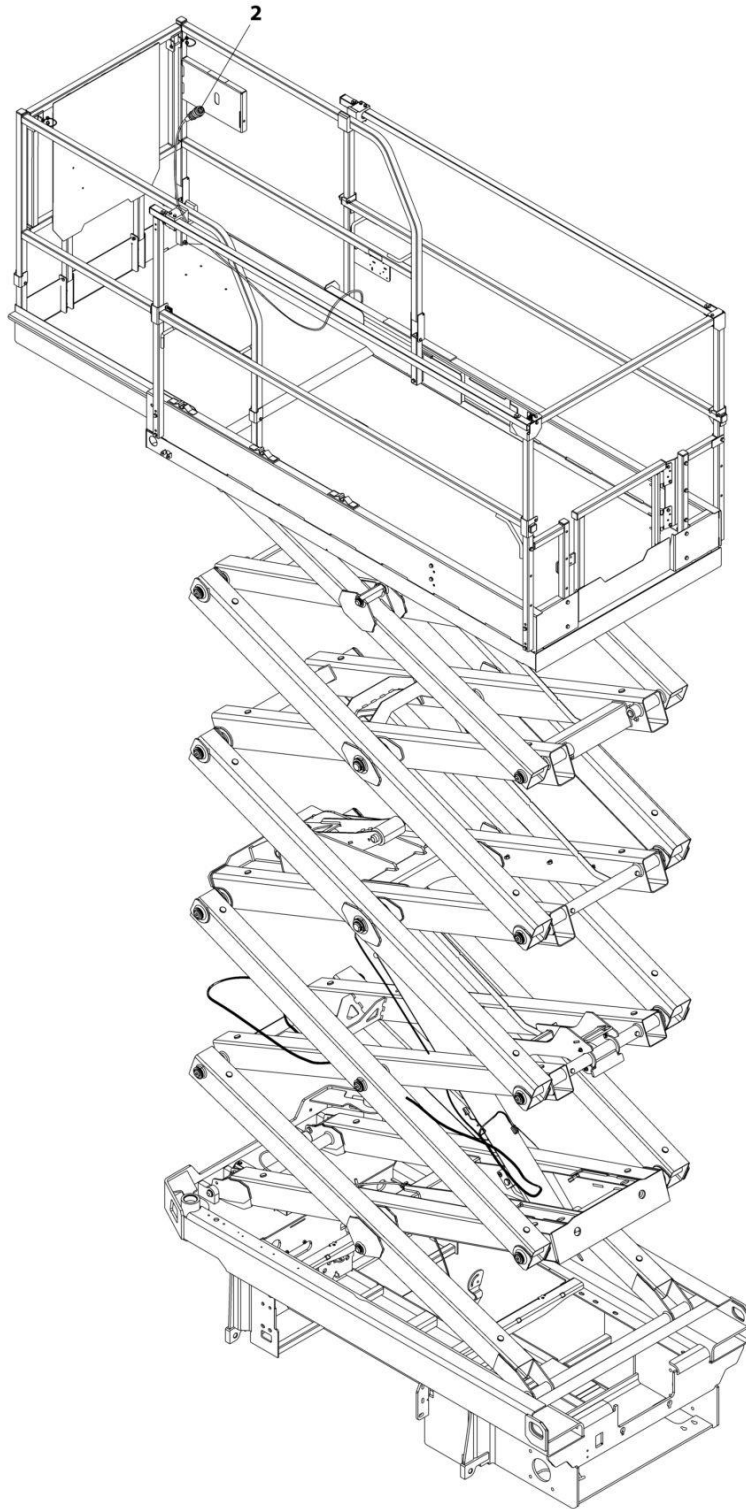
## SECTION 7 - ELECTRICAL

**FIGURE 7-29. GROUND TO PLATFORM CABLE INSTALLATION - WITH PLATFORM COIL CABLE & FOOTSWITCH (MACHINES WITH SN STARTING WITH 12, B2 & G2)**

ITEM	PART NUMBER	QTY	DESCRIPTION	REV
	1001239678	Ref	GROUND TO PLATFORM CABLE INSTALLATION - WITH PLATFORM COIL CABLE AND FOOTSWITCH	F
1	4240017	AR	Tie-Strap (Not Shown)	
2	1001223262	1	Platform Harness	
2	4460899	1	Receptacle, Female - 6 Position (To Item 3)	
2	4460464	4	Pin, Male	
2	4460943	2	Pin, Male	
2	4460754	1	Connector - 14 Position (To Console Box)	
2	4460465	8	Socket, Female	
2	4460944	2	Socket, Female	
2	4460466	4	Plug, Terminal	
2	4460891	1	Plug, Male - 2 Position (To Footswitch)	
2	4460465	2	Socket, Female	
2	4460897	1	Receptacle, Female - 2 Position (Footswitch Jumper)	
2	4460464	2	Pin, Male	
2	4460539	1	Plug, Male - 3 Position (To Overhead Switches)	
2	4460465	2	Socket, Female	
2	4460466	1	Plug, Terminal	
3	1001237132	1	Cable Assembly - Ground to Platform	
3	4460894	1	Plug, Male - 6 Position (To Platform Harness Item 2)	
3	4460465	4	Socket, Female	
3	4460944	2	Socket, Female	
3	4460899	1	Receptacle, Female - 6 Position (To Chassis Harness)	
3	4460464	4	Pin, Male	
3	4460943	2	Pin, Male	

## SECTION 7 - ELECTRICAL

**FIGURE 7-30. GROUND TO PLATFORM CABLE INSTALLATION - PLATFORM STRAIGHT CABLE ONLY (MACHINES WITH SN STARTING WITH 12, B2, G2 & M2)**



ART\_1001223650

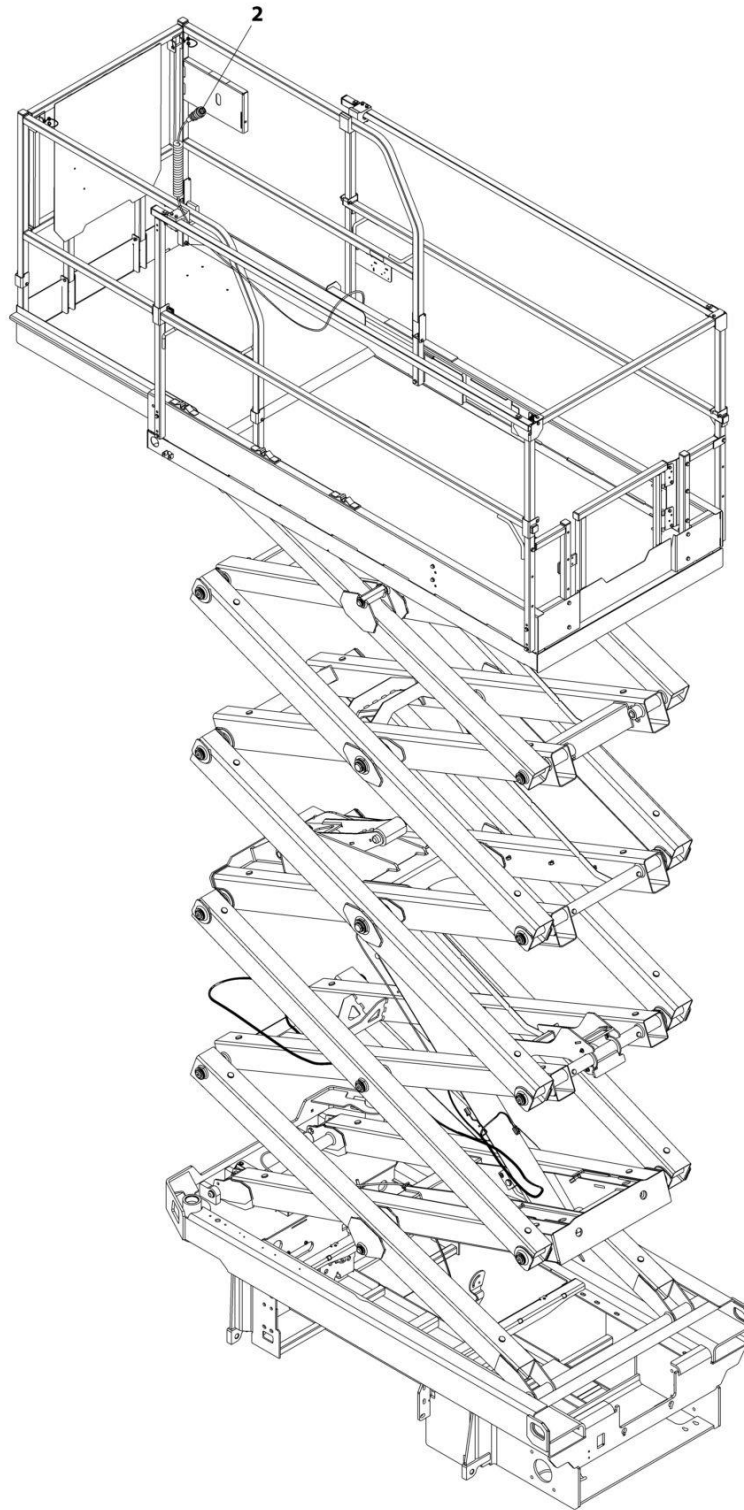
## SECTION 7 - ELECTRICAL

**FIGURE 7-30. GROUND TO PLATFORM CABLE INSTALLATION - PLATFORM STRAIGHT CABLE ONLY (MACHINES WITH SN STARTING WITH 12, B2, G2 & M2)**

ITEM	PART NUMBER	QTY	DESCRIPTION	REV
	1001223650	Ref	GROUND TO PLATFORM CABLE INSTALLATION	A
1	4240017	AR	Tie-Strap (Not Shown)	
2	1001200812	1	Platform Harness	
2	4460899	1	Receptacle, Female - 6 position (To Platform/AC Cable Connector)	
2	4460464	4	Pin, Male	
2	4460943	2	Pin, Male	
2	4460754	1	Connector - 14 Position (To Console Box)	
2	4460465	8	Socket, Female	
2	4460466	6	Plug, Terminal	

## SECTION 7 - ELECTRICAL

**FIGURE 7-31. GROUND TO PLATFORM CABLE INSTALLATION - PLATFORM COIL CABLE ONLY  
(MACHINES WITH SN STARTING WITH 12, B2, G2 & M2)**



ART\_1001223651



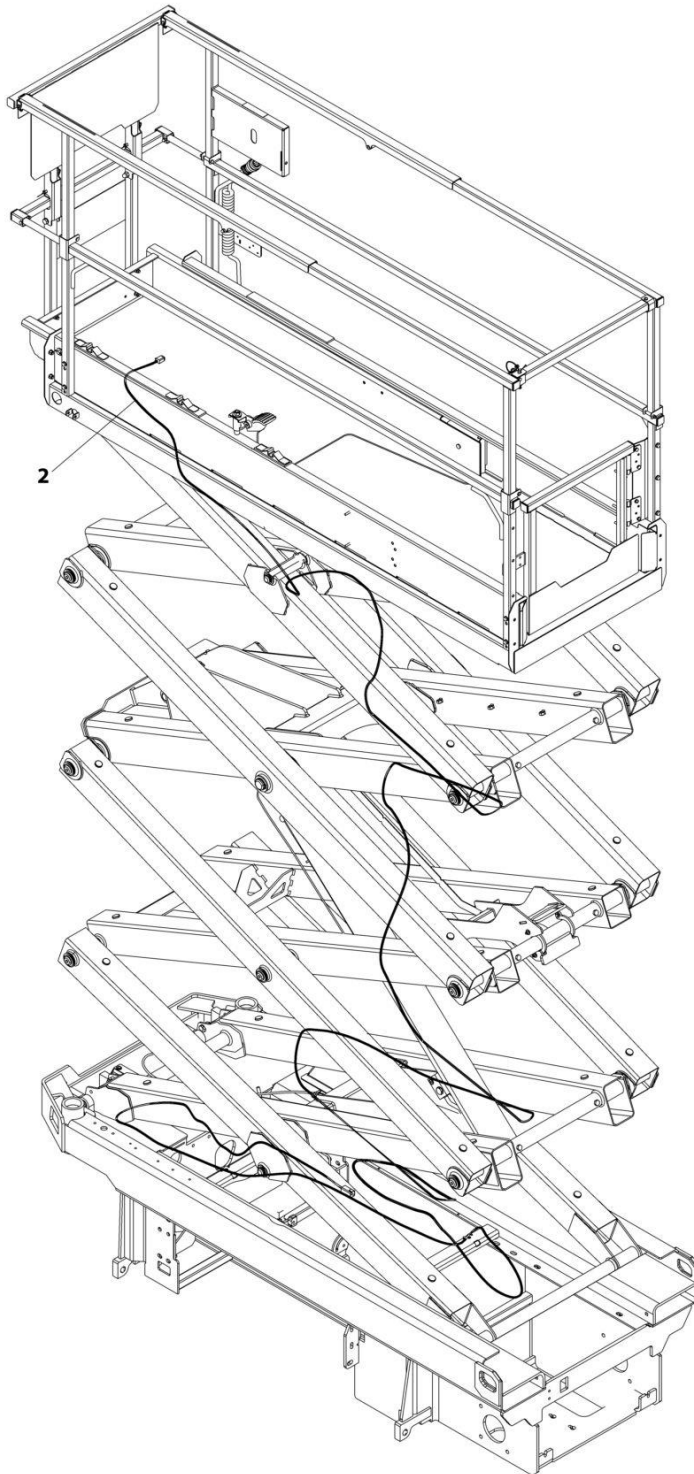
## SECTION 7 - ELECTRICAL

**FIGURE 7-31. GROUND TO PLATFORM CABLE INSTALLATION - PLATFORM COIL CABLE ONLY  
(MACHINES WITH SN STARTING WITH 12, B2, G2 & M2)**

ITEM	PART NUMBER	QTY	DESCRIPTION	REV
	1001223651	Ref	GROUND TO PLATFORM CABLE INSTALLATION	A
1	4240017	AR	Tie-Strap (Not Shown)	
2	1001202184	1	Platform Harness	
2	4460899	1	Receptacle, Female - 6 position (To Platform/AC Cable Connector)	
2	4460464	4	Pin, Male	
2	4460943	2	Pin, Male	
2	4460754	1	Connector - 14 Position (To Console Box)	
2	4460465	8	Socket, Female	
2	4460466	6	Plug, Terminal	

## SECTION 7 - ELECTRICAL

**FIGURE 7-32. GROUND TO PLATFORM CABLE INSTALLATION - SCISSORS ARMS CABLE ONLY  
(MACHINES WITH SN STARTING WITH 12, B2, G2 & M2)**



ART\_1001239679

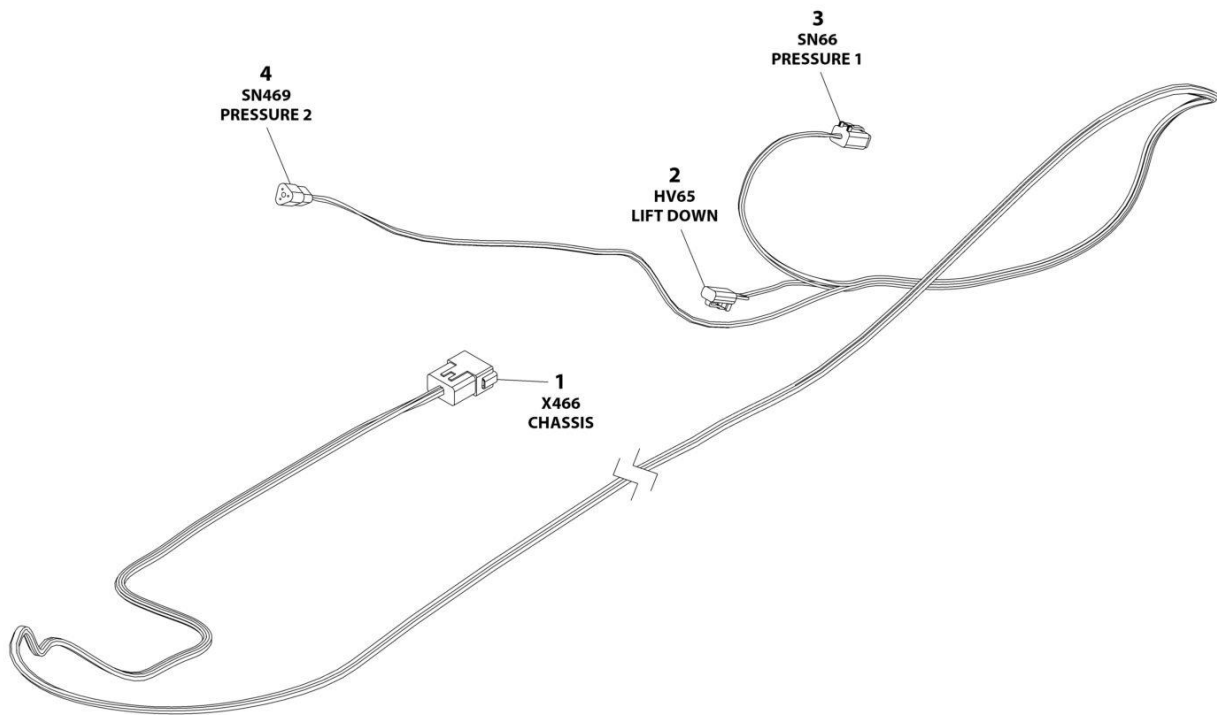
## SECTION 7 - ELECTRICAL

**FIGURE 7-32. GROUND TO PLATFORM CABLE INSTALLATION - SCISSORS ARMS CABLE ONLY  
(MACHINES WITH SN STARTING WITH 12, B2, G2 & M2)**

ITEM	PART NUMBER	QTY	DESCRIPTION	REV
	1001239679	Ref	GROUND TO PLATFORM CABLE INSTALLATION	F
1	4240017	AR	Tie-Strap (Not Shown)	
2	1001237132	1	Cable Assembly - Ground to Platform	
2	4460894	1	Plug, Male - 6 Position (To Platform Harness Item 2)	
2	4460465	4	Socket, Female	
2	4460944	2	Socket, Female	
2	4460899	1	Receptacle, Female - 6 Position (To Chassis Harness)	
2	4460464	4	Pin, Male	
2	4460943	2	Pin, Male	

# SECTION 7 - ELECTRICAL

## FIGURE 7-33. LIFT DOWN HARNESS



ART\_1001233795

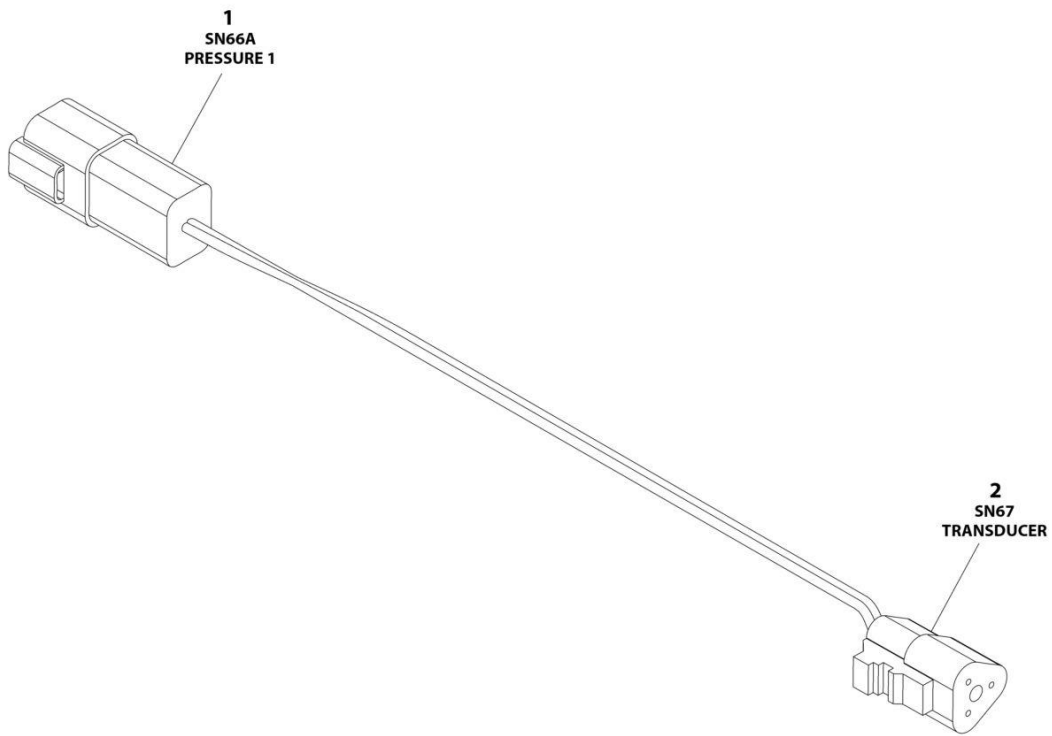
# SECTION 7 - ELECTRICAL

## FIGURE 7-33. LIFT DOWN HARNESS

ITEM	PART NUMBER	QTY	DESCRIPTION	REV
	1001233795	Ref	LIFT DOWN HARNESS	D
1	4460970	1	Receptacle, Female - 12 Position	
1	4460464	9	Pin, Male	
1	4460466	3	Plug, Terminal	
2	4460891	1	Plug, Male - 4 Position	
2	4460465	2	Socket, Female	
3	4460884	1	Plug, Male - 4 Position	
3	4460465	4	Socket, Female	
4	4460539	1	Plug, Male - 3 Position	
4	4460465	3	Socket, Female	

# SECTION 7 - ELECTRICAL

## FIGURE 7-34. JUMPER HARNESS TO LIFT DOWN



ART\_1001285829

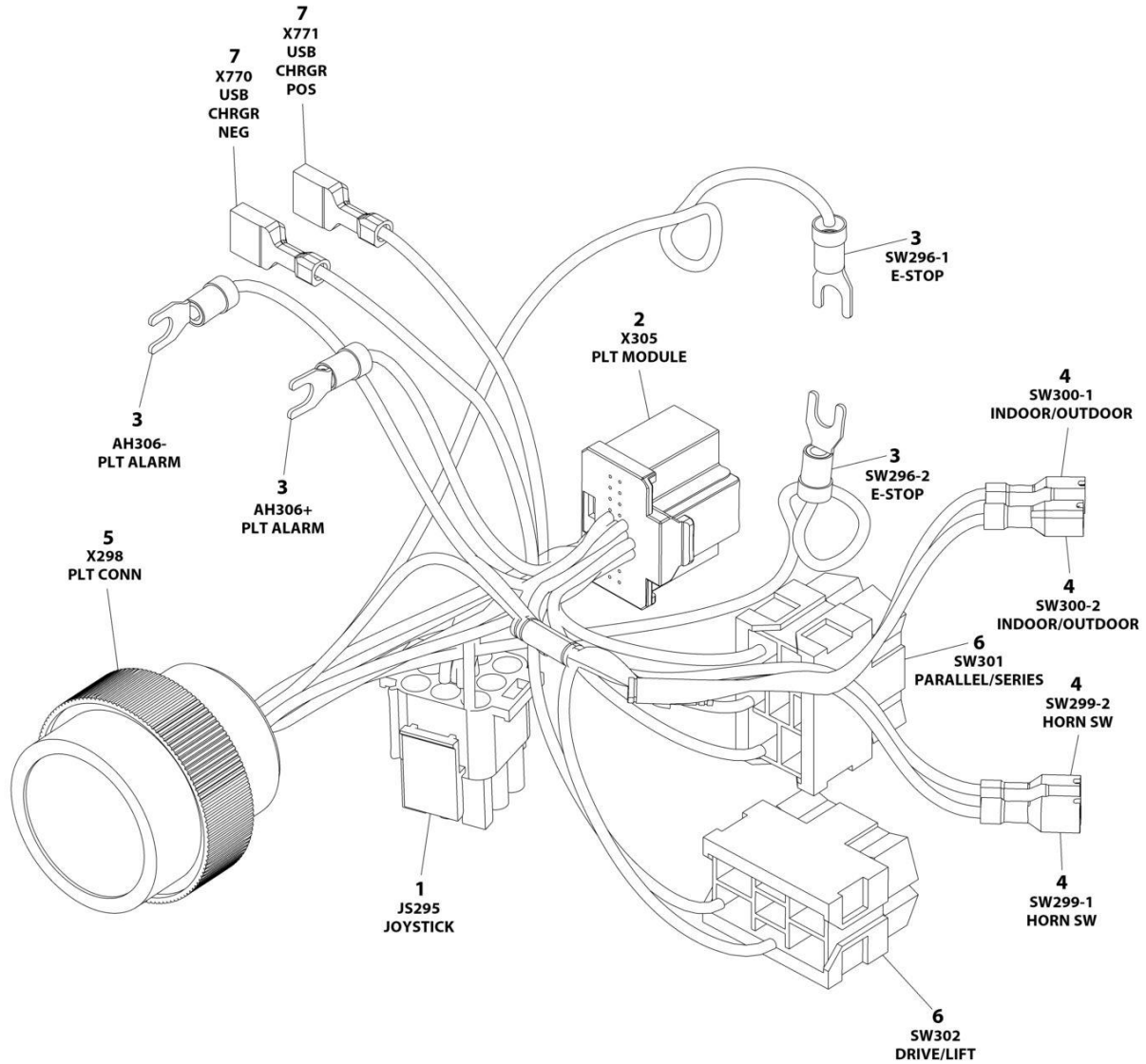
## SECTION 7 - ELECTRICAL

### FIGURE 7-34. JUMPER HARNESS TO LIFT DOWN

ITEM	PART NUMBER	QTY	DESCRIPTION	REV
	1001285829	Ref	JUMPER HARNESS TO LIFT DOWN	C
1	4460932	1	Connector	
1	4460464	2	Pin	
1	4460466	2	Plug	
2	4460539	1	Connector	
2	4460465	2	Pin	
2	4460466	1	Plug	

# SECTION 7 - ELECTRICAL

## FIGURE 7-35. PLATFORM CONTROL BOX HARNESS



ART\_1001200819



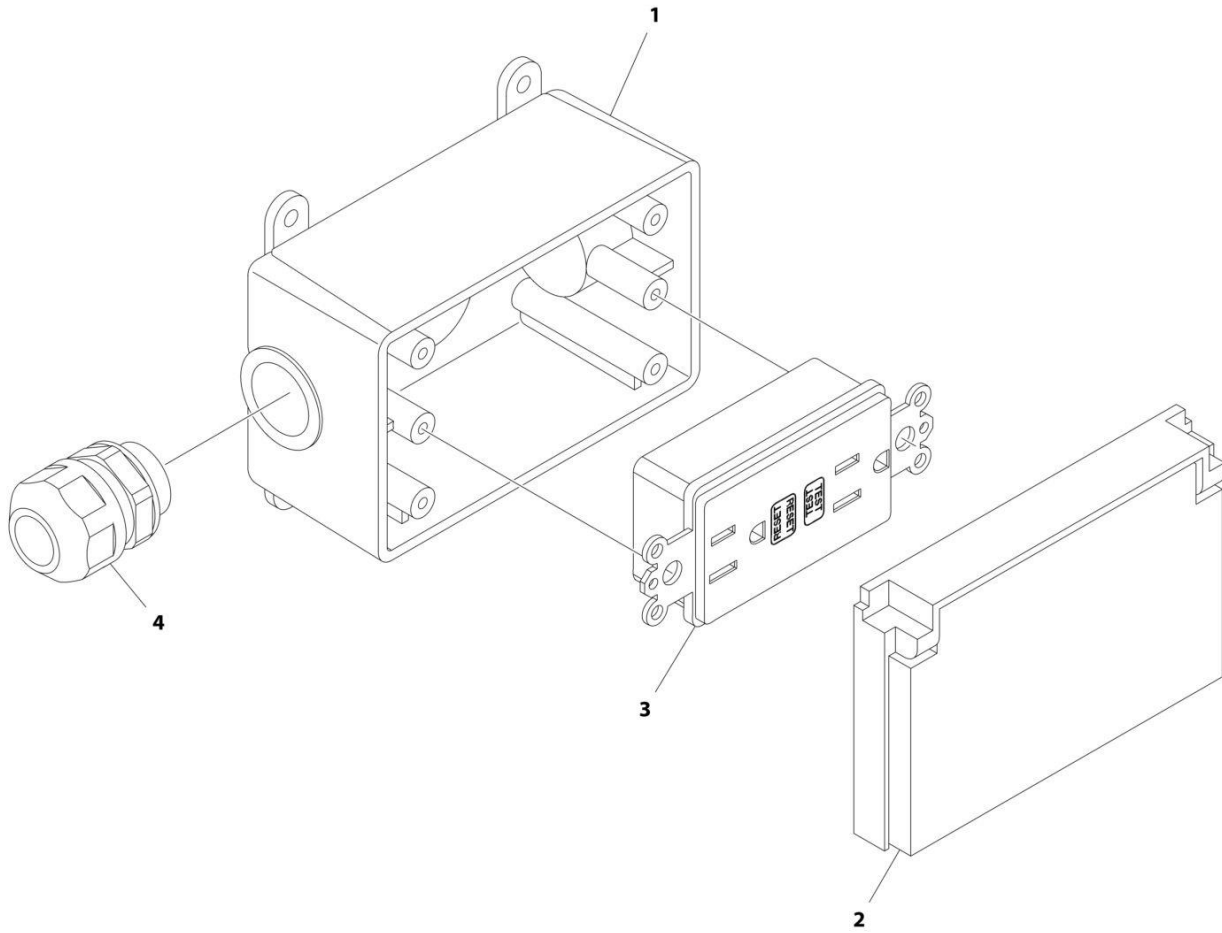
## SECTION 7 - ELECTRICAL

### FIGURE 7-35. PLATFORM CONTROL BOX HARNESS

ITEM	PART NUMBER	QTY	DESCRIPTION	REV
	1001200819	Ref	PLATFORM CONTROL BOX HARNESS	E
1	4460265	1	Plug, Male - 9 Position	
1	4460267	6	Pin, Male	
2	1001212036	1	Connector - 20 Position	
2	1001212035	16	Terminal	
3	4460183	4	Terminal, Fork	
4	1001201885	4	Terminal with Cover	
5	4461016	1	Connector - 14 Position	
5	4460464	8	Pin, Male	
5	4460466	6	Plug, Terminal	
6	4460418	2	Connector - 6 Position	
6	1001159186	5	Terminal	
7	1001194421	2	Terminal	

# SECTION 7 - ELECTRICAL

## FIGURE 7-36. RECEPTACLE BOX KIT - 110V GFI



ART\_2902431

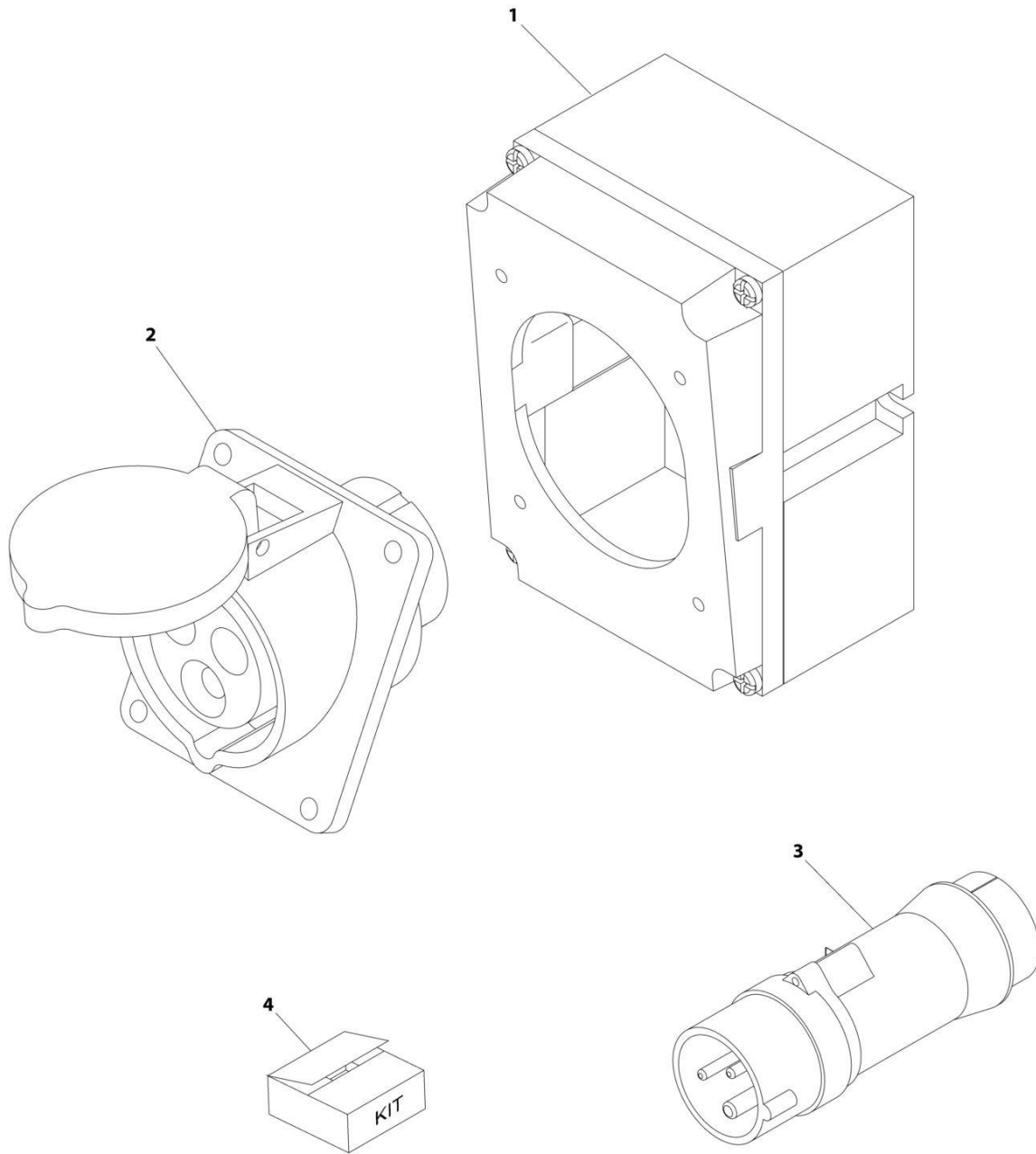
## SECTION 7 - ELECTRICAL

### FIGURE 7-36. RECEPTACLE BOX KIT - 110V GFI

ITEM	PART NUMBER	QTY	DESCRIPTION	REV
	2902431	Ref	RECEPTACLE BOX KIT - 110V GFI	D
1	0861731	1	Box, Receptacle	
2	1671207	1	Cover, Receptacle	
3	4460346	1	Receptacle	
4	4460662	1	Connector, Strain Relief	

# SECTION 7 - ELECTRICAL

FIGURE 7-37. RECEPTACLE BOX KIT - 110V IEC YELLOW (CE & UK CA SPEC)



ART\_0275216

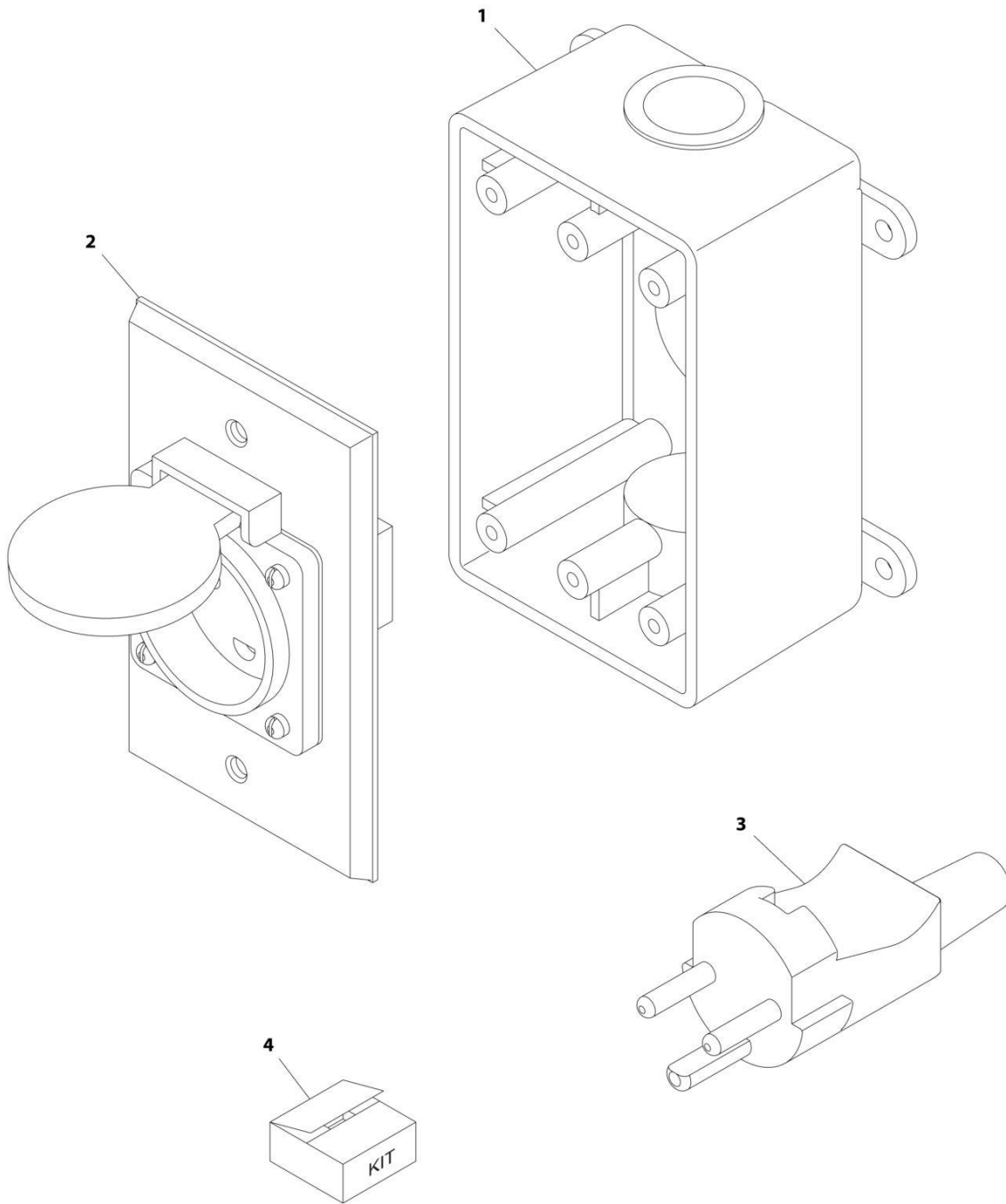
## SECTION 7 - ELECTRICAL

**FIGURE 7-37. RECEPTACLE BOX KIT - 110V IEC YELLOW (CE & UK CA SPEC)**

ITEM	PART NUMBER	QTY	DESCRIPTION	REV
	0275216	Ref	RECEPTACLE BOX KIT - 110V IEC YELLOW	B
1	0861781	1	Box, Switch	
2	4461198	1	Receptacle	
3	4461196	1	Plug, Male	
4	1001100341	1	Plug and Socket Kit (Includes Items 1-3 and Female Plug p/n 4461197)	

# SECTION 7 - ELECTRICAL

FIGURE 7-38. RECEPTACLE BOX KIT - 220V AFSINT 107 (CE & UK CA SPEC)



ART\_0275454

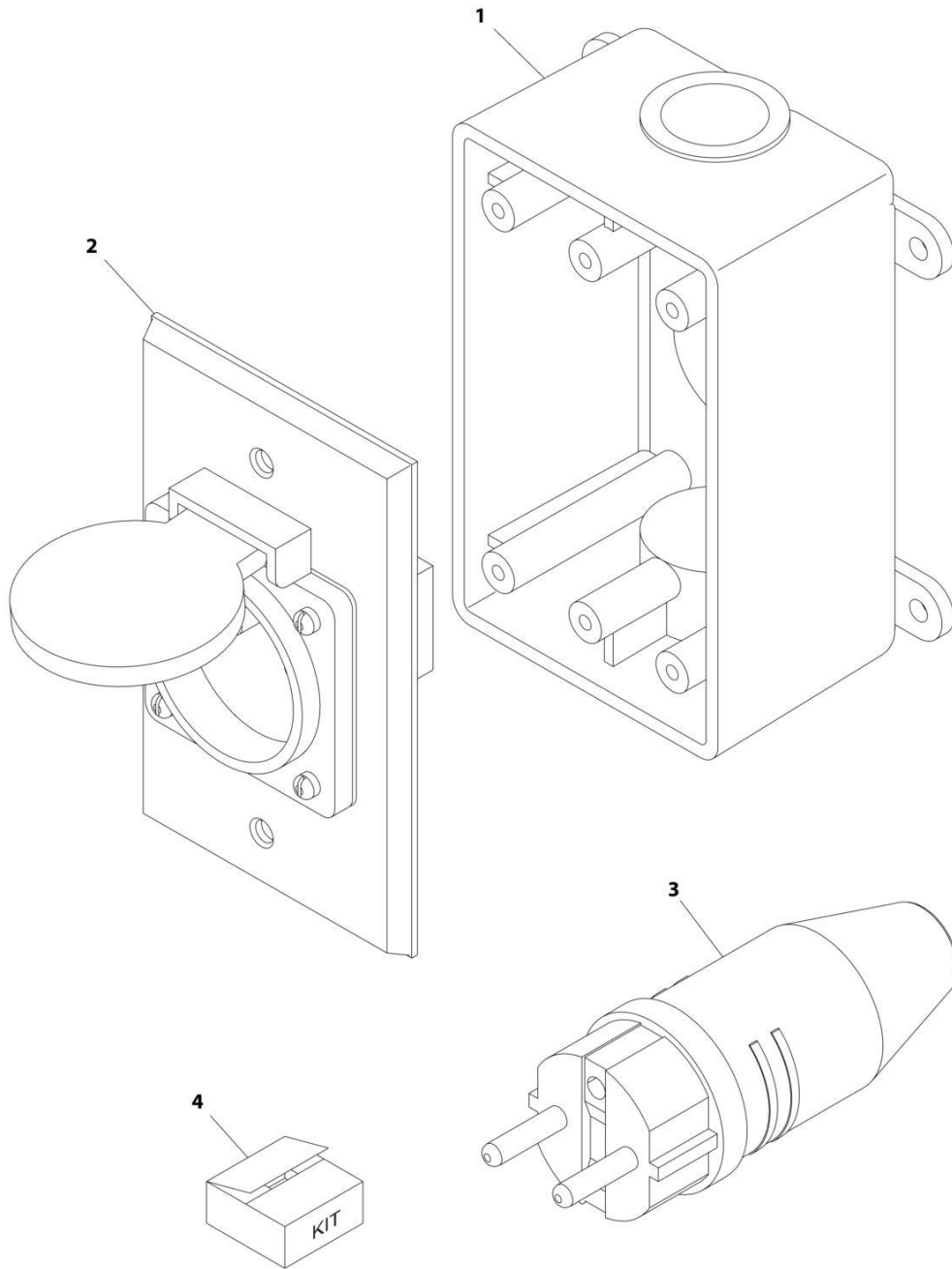
## SECTION 7 - ELECTRICAL

**FIGURE 7-38. RECEPTACLE BOX KIT - 220V AFSINT 107 (CE & UK CA SPEC)**

ITEM	PART NUMBER	QTY	DESCRIPTION	REV
	0275454	Ref	RECEPTACLE BOX KIT - 220V AFSINT 107	B
1	0861731	1	Box, Switch	
2	4461246	1	Receptacle	
3	4461249	1	Plug, Male	
4	1001100346	1	Plug and Socket Kit (Includes Items 1-3 and Female Plug p/n 4461250)	

# SECTION 7 - ELECTRICAL

FIGURE 7-39. RECEPTACLE BOX KIT - 220V CEE7 POST GROUND (CE & UK CA SPEC)



ART\_0275452-C



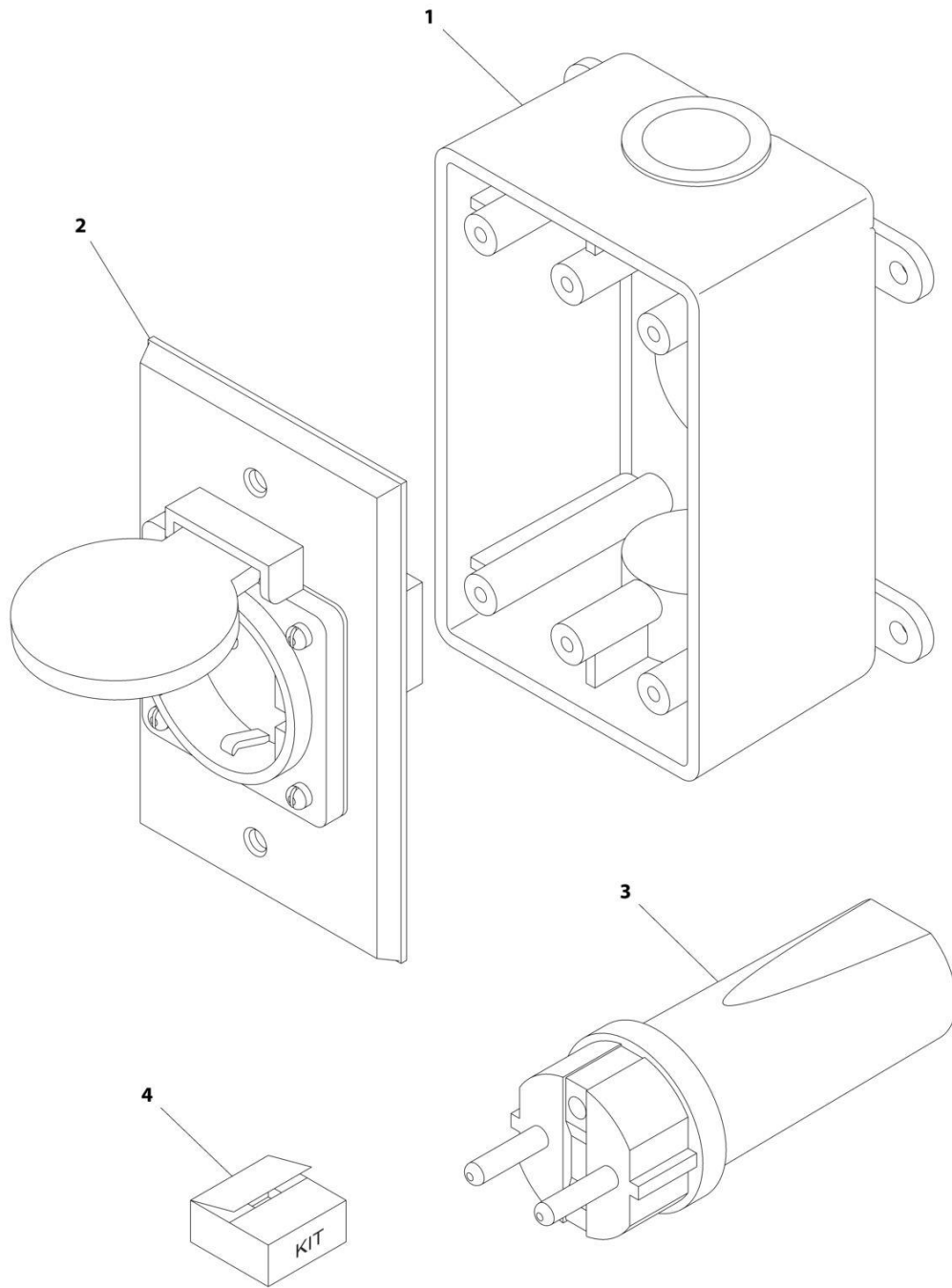
## SECTION 7 - ELECTRICAL

**FIGURE 7-39. RECEPTACLE BOX KIT - 220V CEE7 POST GROUND (CE & UK CA SPEC)**

ITEM	PART NUMBER	QTY	DESCRIPTION	REV
	0275452	Ref	RECEPTACLE BOX KIT - 220V CEE7 POST GROUND 2IN X 4IN BOX	C
1	0861731	1	Box, Switch	
2	4461244	1	Receptacle	
3	4461205	1	Plug, Male	
4	1001100345	1	Plug and Socket Kit (Includes Items 1-3 and Female Plug p/n 4461203)	

# SECTION 7 - ELECTRICAL

FIGURE 7-40. RECEPTACLE BOX KIT - 220V CEE7 SIDE GROUND (CE & UK CA SPEC)



ART\_0275453

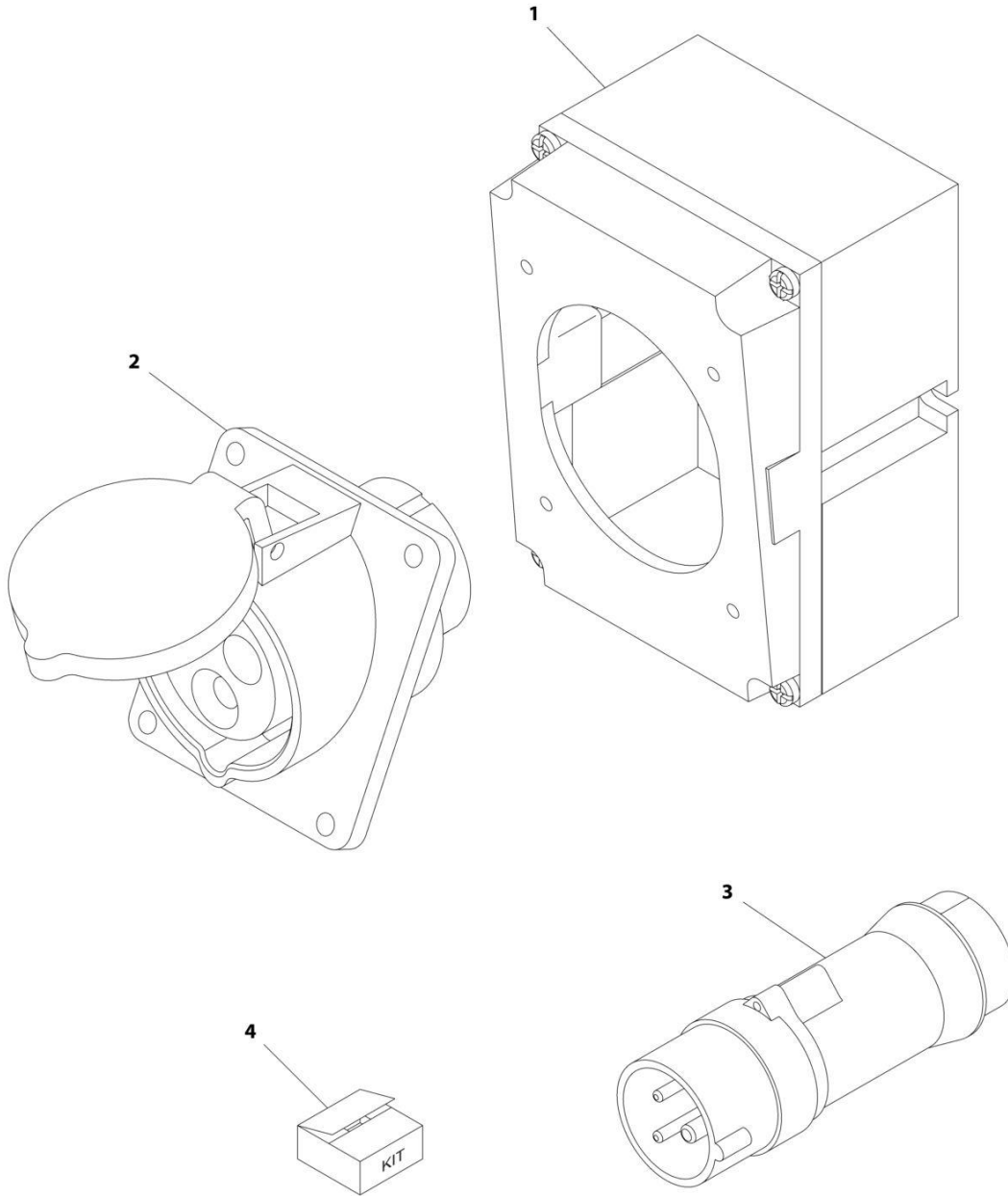
## SECTION 7 - ELECTRICAL

**FIGURE 7-40. RECEPTACLE BOX KIT - 220V CEE7 SIDE GROUND (CE & UK CA SPEC)**

ITEM	PART NUMBER	QTY	DESCRIPTION	REV
	0275453	Ref	RECEPTACLE BOX KIT - 220V CEE7 SIDE GROUND	B
1	0861731	1	Box, Switch	
2	4461245	1	Receptacle	
3	4461205	1	Plug, Male	
4	1001100347	1	Plug and Socket Kit (Includes Items 1-3 and Female Plug p/n 4461206)	

# SECTION 7 - ELECTRICAL

FIGURE 7-41. RECEPTACLE BOX KIT - 220V IEC BLUE (CE & UK CA SPEC)



ART\_0275217

## SECTION 7 - ELECTRICAL

**FIGURE 7-41. RECEPTACLE BOX KIT - 220V IEC BLUE (CE & UK CA SPEC)**

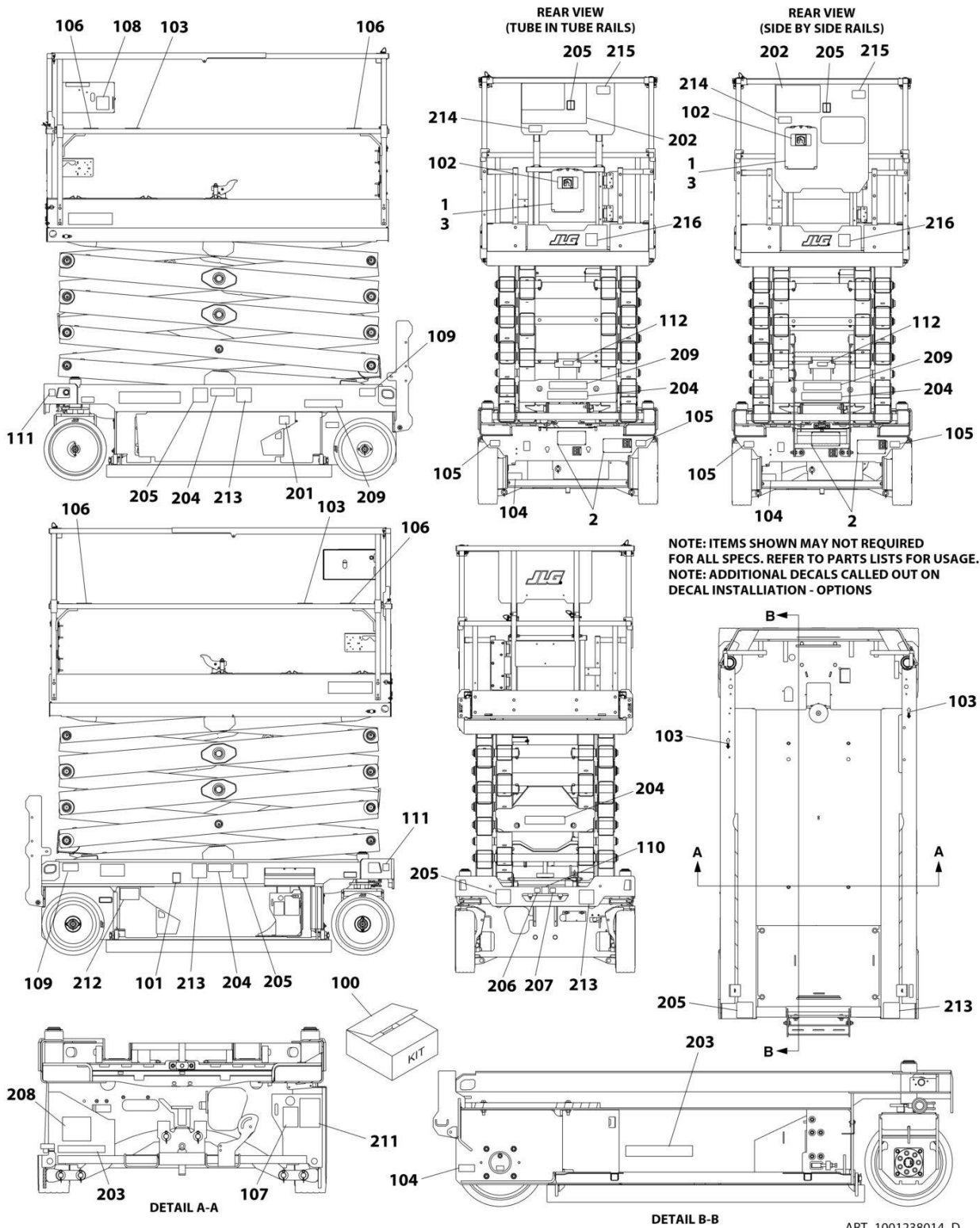
ITEM	PART NUMBER	QTY	DESCRIPTION	REV
	0275217	Ref	RECEPTACLE BOX KIT - 220V IEC BLUE	B
1	0861781	1	Box, Switch	
2	4461201	1	Receptacle	
3	4461199	1	Plug, Male	
4	1001100342	1	Plug and Socket Kit (Includes Items 1-3 and Female Plug p/n 4461200)	



**SECTION 8 - DECALS**

# SECTION 8 - DECALS

## FIGURE 8-1. DECAL INSTALLATION (ANSI SPECS)





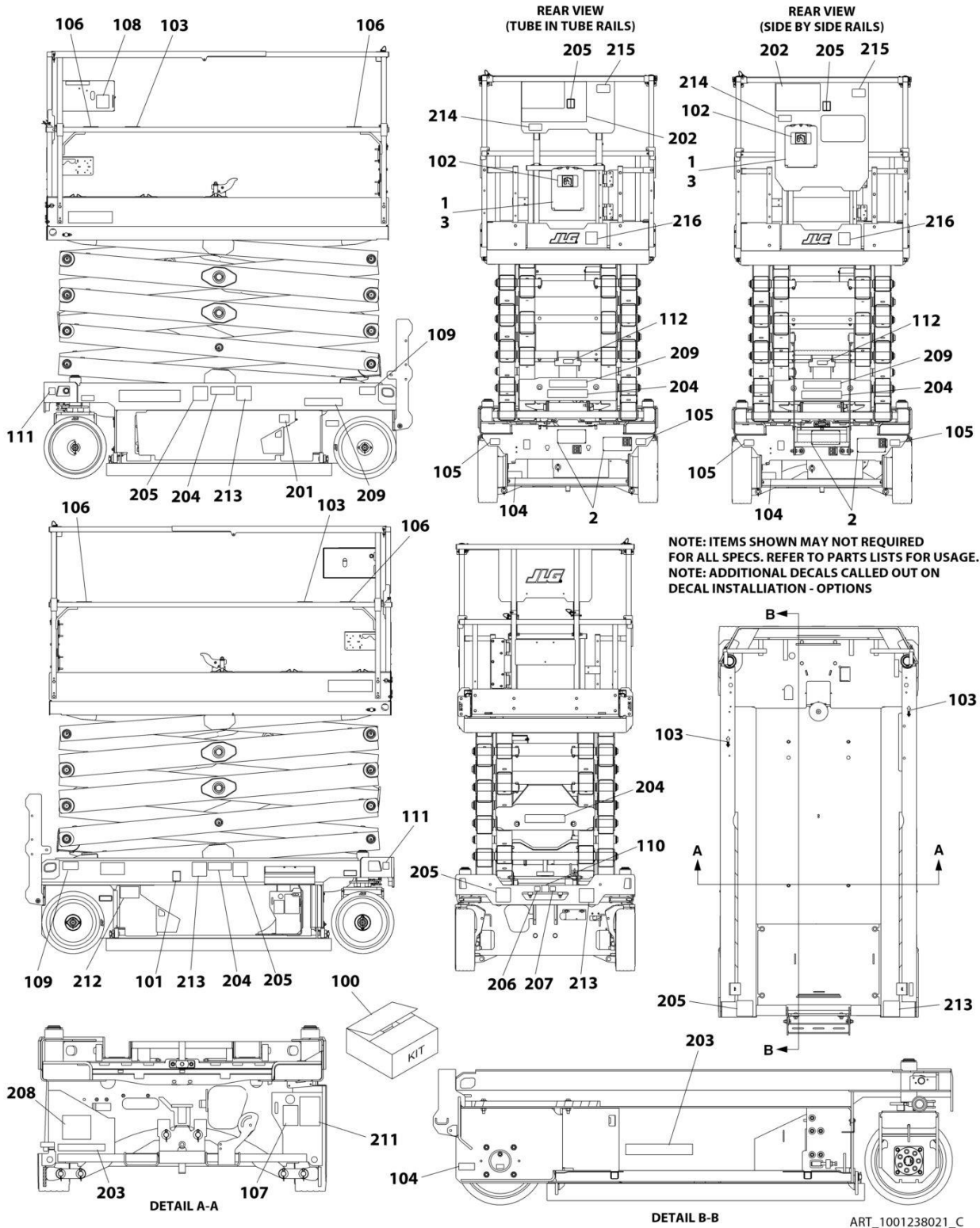
## SECTION 8 - DECALS

**FIGURE 8-1. DECAL INSTALLATION (ANSI SPECS)**

ITEM	PART NUMBER	QTY	DESCRIPTION	REV
	1001238014	Ref	DECAL INSTALLATION (ENGLISH LANGUAGE)	D
	1001237749	Ref	DECAL REFERENCE CHART	H
1	2080040	3	Fastener	
2	2080057	4	Fastener	
3	8990147	1	Holder, Manual	
100	1001239270	1	Master Decal Kit	D
101	1701504	1	Decal - Hydraulic Oil	
102	1701640	1	Decal - Manual	
103	1703819	4	Decal - Direction Arrow	
104	1001248126	1	Decal - Manual Descent Instructions	
105	1704016	2	Decal - Fork Lift	
106	1704277	4	Decal - Lanyard Attach	
107	1704412	1	Decal - Hydraulic Oil	
108	1001132359	1	Decal - Control Box Locate	
109	1001162864	2	Decal - Lift Point/Tie Down	
110	1001212290	1	Decal - Tie Down	
111	1001212291	2	Decal - Lifting Lug	
112	1001237899	1	Decal - Arms Prop	
201	1702155	1	Decal - Battery Disconnect	
202	1703816	1	Decal - Danger/Warning	
203	1001146794	1	Decal - Battery/Charger Service	
204	1001211777	4	Decal - Crushing Hazard	
205	1001211779	4	Decal - Electrocution	
206	1001212292	1	Decal - No Lifting	
207	1001212293	1	Decal - No Forklift	
208	1001237538	1	Decal - Battery Spacer	
209	1703813	2	Decal - Warning Battery Ventilation	
211	1001131270	1	Decal - Patent	
212	1001223055	1	Decal - Yearly Inspection	
214	1001228370	1	Decal - ICES	
215	1001231801	1	Decal - Warning Prop 65	

# SECTION 8 - DECALS

## FIGURE 8-2. DECAL INSTALLATION (AUSTRALIAN SPECS)



ART\_1001238021\_C

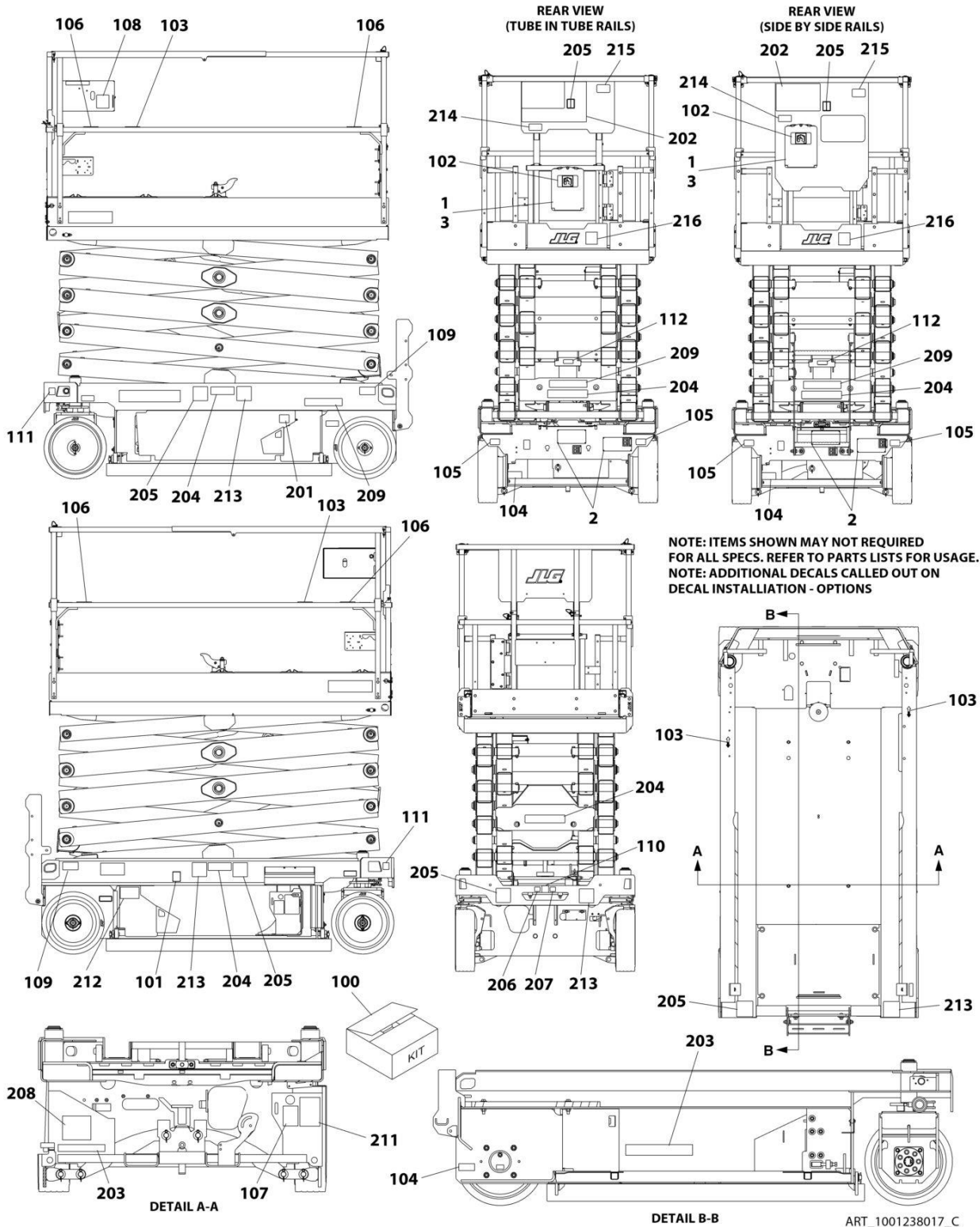
## SECTION 8 - DECALS

**FIGURE 8-2. DECAL INSTALLATION (AUSTRALIAN SPECS)**

ITEM	PART NUMBER	QTY	DESCRIPTION	REV
	1001238021	Ref	DECAL INSTALLATION (ENGLISH LANGUAGE)	C
	1001237749	Ref	DECAL REFERENCE CHART	H
1	2080040	3	Fasteners	
2	2080057	4	Fasteners	
3	8990147	1	Holder, Manual	
100	1001239270	1	Master Decal Kit	D
101	1701504	1	Decal - Hydraulic Oil	
102	1701640	1	Decal - Manual	
103	1703819	4	Decal - Direction Arrow	
104	1001248126	1	Decal - Manual Descent Instructions	
105	1704016	2	Decal - Fork Lift	
106	1704277	4	Decal - Lanyard Attach Graphic	
107	1704412	1	Decal - Hydraulic Oil	
108	1001132359	1	Decal - Control Box Locate	
109	1001162864	2	Decal - Lift Point/Tie Down	
110	1001212290	1	Decal - Tie Down	
111	1001212291	2	Decal - Lifting Lug	
112	1001237899	1	Decal - Arms Prop	
201	1702155	1	Decal - Battery Disconnect	
203	1001146794	1	Decal - Battery/Charger Service	
204	1705673	4	Decal - Crushing	
205	1705671	5	Decal - Electrocution	
206	1001212292	1	Decal - No Lifting	
207	1001212293	1	Decal - No Forklift	
208	1001237538	1	Decal - Battery Spacer	
209	1705670	2	Decal - Fire Hazard	

# SECTION 8 - DECALS

## FIGURE 8-3. DECAL INSTALLATION (BRAZIL SPECS)



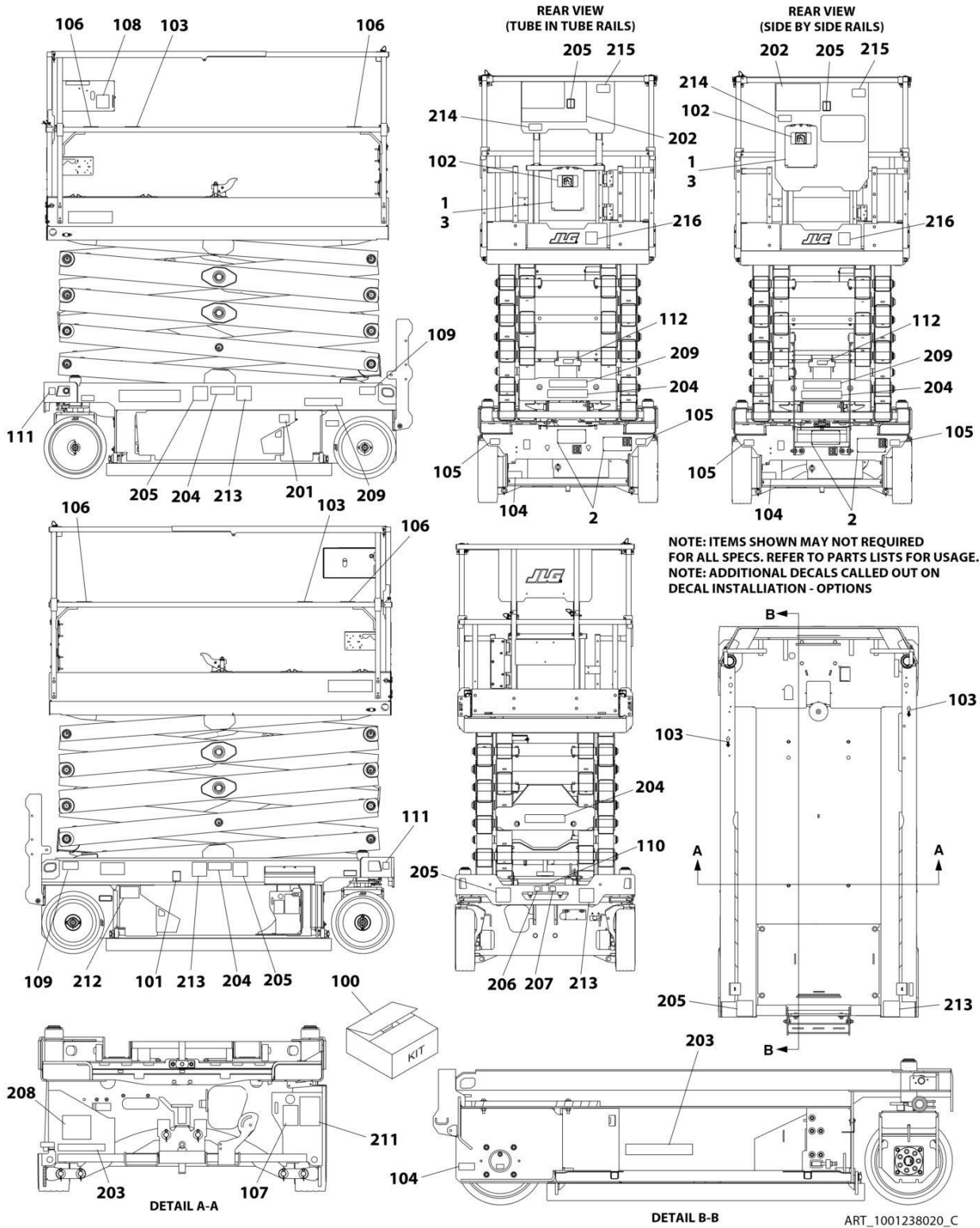
## SECTION 8 - DECALS

**FIGURE 8-3. DECAL INSTALLATION (BRAZIL SPECS)**

ITEM	PART NUMBER	QTY	DESCRIPTION	REV
	1001238017	Ref	DECAL INSTALLATION (SPANISH/PORTUGUESE LANGUAGE)	C
	1001237749	Ref	DECAL REFERENCE CHART	H
1	2080040	3	Fastener	
2	2080057	4	Fastener	
3	8990147	1	Holder, Manual	
100	1001239270	1	Master Decal Kit	D
101	1701504	1	Decal - Hydraulic Oil	
102	1701640	1	Decal - Manual	
103	1703819	4	Decal - Direction Arrow	
104	1001248126	1	Decal - Manual Descent Instructions	
105	1704016	2	Decal - Fork Lift	
106	1704277	4	Decal - Lanyard Attach	
107	1704412	1	Decal - Hydraulic Oil	
108	1001132359	1	Decal - Control Box Locate	
109	1001162864	2	Decal - Lift Point/Tie Down	
110	1001212290	1	Decal - Tie Down	
111	1001212291	2	Decal - Lifting Lug	
112	1001237899	1	Decal - Arms Prop	
201	1702155	1	Decal - Battery Disconnect	
202	1704699	1	Decal - Danger/Warning	
203	1001146794	1	Decal - Battery/Charger Service	
204	1001216650	4	Decal - Crushing Hazard	
205	1001215748	4	Decal - Electrocution	
206	1001212292	1	Decal - No Lifting	
207	1001212293	1	Decal - No Forklift	
208	1001237538	1	Decal - Battery Spacer	
209	1704341	2	Decal - Warning Battery Ventilation	
212	1001224052	1	Decal - Yearly Inspection	
213	1001216648	4	Decal - Danger Electrocution	

# SECTION 8 - DECALS

## FIGURE 8-4. DECAL INSTALLATION (CE & UK CA SPECS)



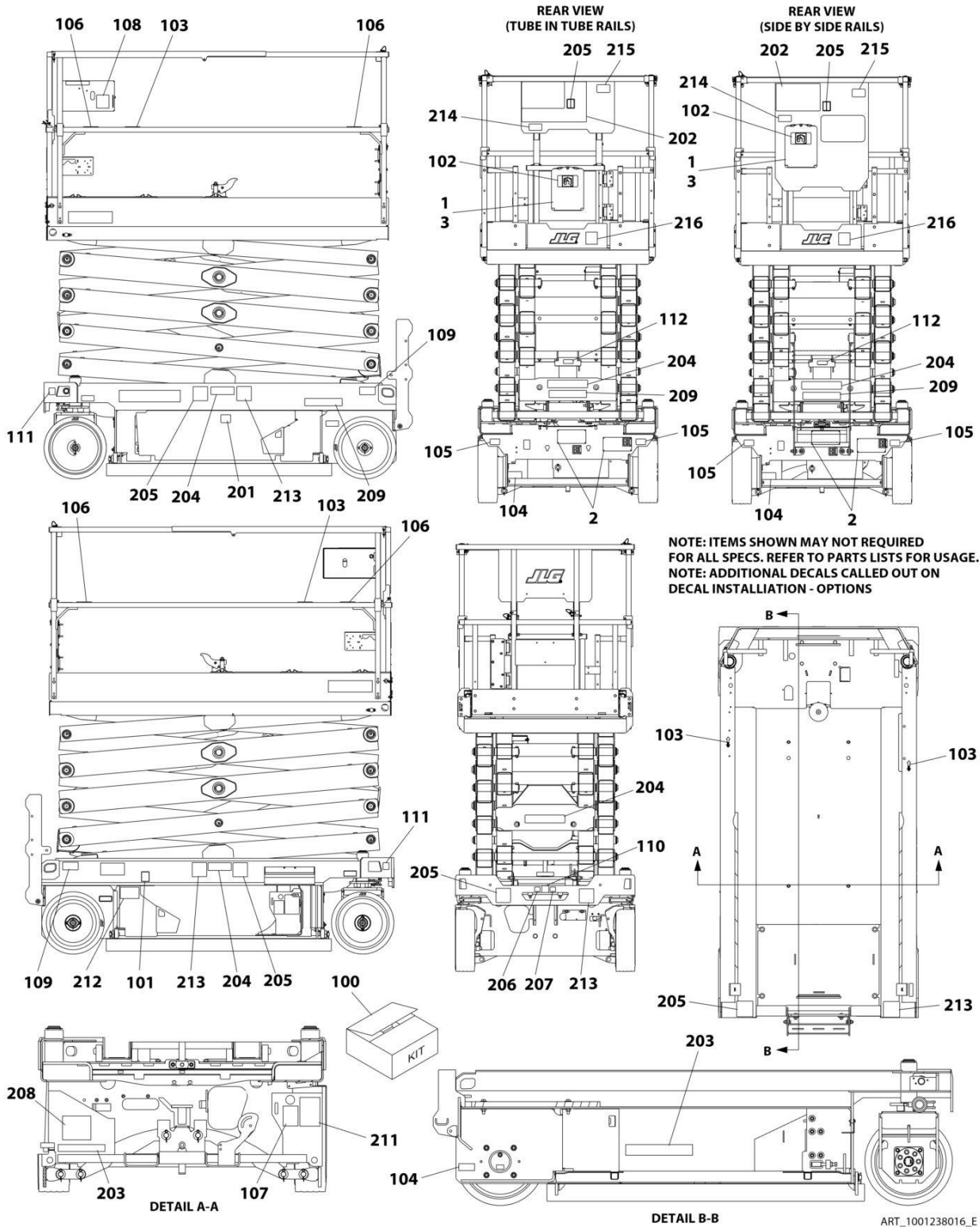
## SECTION 8 - DECALS

**FIGURE 8-4. DECAL INSTALLATION (CE & UK CA SPECS)**

ITEM	PART NUMBER	QTY	DESCRIPTION	REV
	1001238020	Ref	DECAL INSTALLATION (ENGLISH LANGUAGE)	C
	1001237749	Ref	DECAL REFERENCE CHART	H
1	2080040	3	Fastener	
2	2080057	4	Fastener	
3	8990147	1	Holder, Manual	
100	1001239270	1	Master Decal Kit	D
101	1701504	1	Decal - Hydraulic Oil	
102	1701640	1	Decal - Manual	
103	1703819	4	Decal - Direction Arrow	
104	1001248126	1	Decal - Manual Descent Instructions	
105	1704016	2	Decal - Fork Lift	
106	1704277	4	Decal - Lanyard Attach	
107	1704412	1	Decal - Hydraulic Oil	
108	1001132359	1	Decal - Control Box Locate	
109	1001162864	2	Decal - Lift Point/Tie Down	
110	1001212290	1	Decal - Tie Down	
111	1001212291	2	Decal - Lifting Lug	
112	1001237899	1	Decal - Arms Prop	
201	1702155	1	Decal - Battery Disconnect	
203	1001146795	1	Decal - Battery/Charger Service	
204	1705673	4	Decal - Crushing	
205	1705671	5	Decal - Electrocution	
206	1001212292	1	Decal - No Lifting	
207	1001212293	1	Decal - No Forklift	
208	1001237538	1	Decal - Battery Spacer	
209	1705670	2	Decal - Fire Hazard	

# SECTION 8 - DECALS

## FIGURE 8-5. DECAL INSTALLATION (CHINA SPECS)





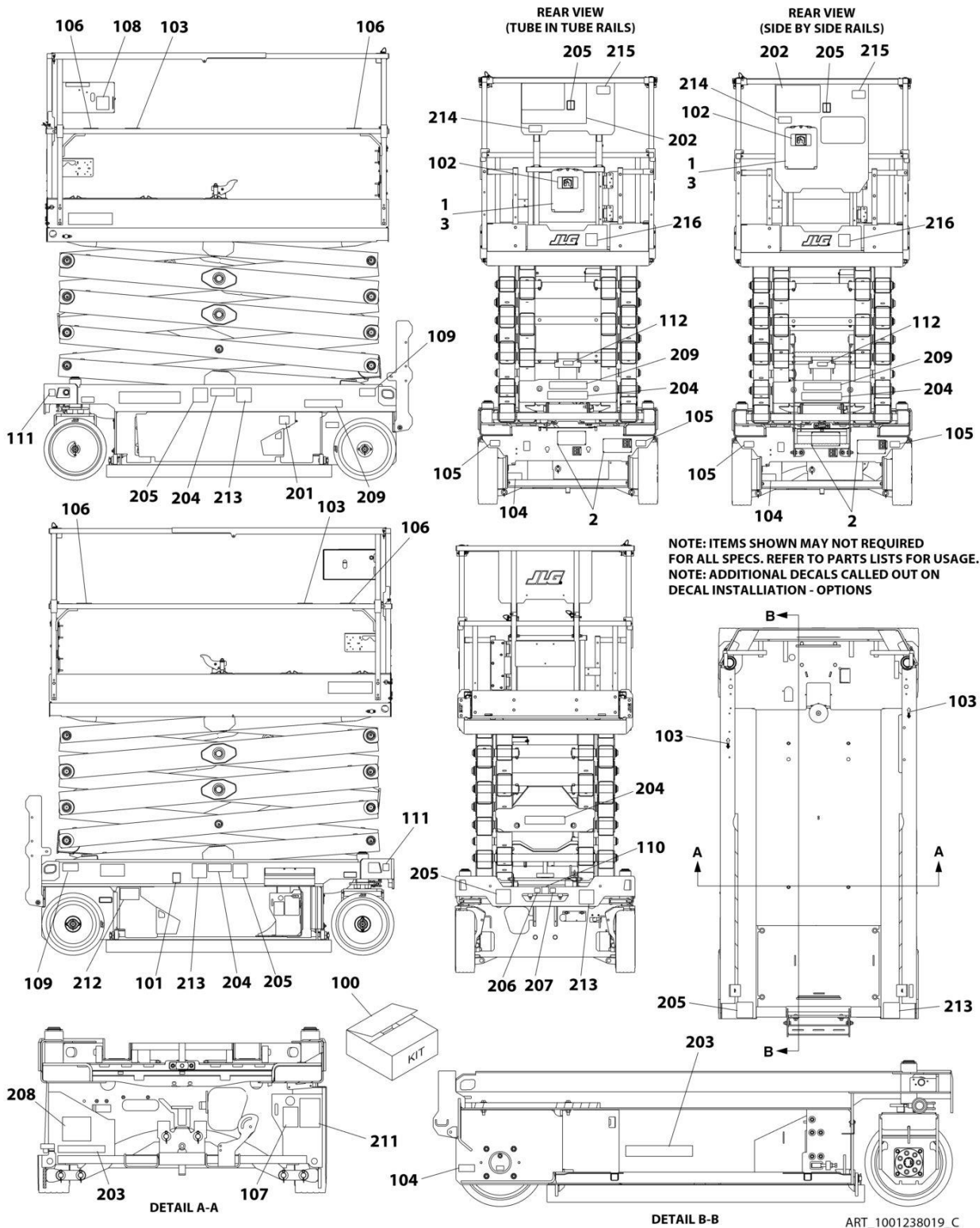
## SECTION 8 - DECALS

**FIGURE 8-5. DECAL INSTALLATION (CHINA SPECS)**

ITEM	PART NUMBER	QTY	DESCRIPTION	REV
	1001238016	Ref	DECAL INSTALLATION (ENGLISH/CHINESE LANGUAGE)	E
	1001237749	Ref	DECAL REFERENCE CHART	H
1	2080040	3	Fastener	
2	2080057	4	Fastener	
3	8990147	1	Holder, Manual	
100	1001239270	1	Master Decal Kit	D
101	1701504	1	Decal - Hydraulic Oil	
102	1701640	1	Decal - Manual	
103	1703819	4	Decal - Direction Arrow	
104	1001248126	1	Decal - Manual Descent Instructions	
105	1704016	2	Decal - Fork Lift	
106	1704277	4	Decal - Lanyard Attach	
107	1704412	1	Decal - Hydraulic Oil	
108	1001132359	1	Decal - Control Box Locate	
109	1001162864	2	Decal - Lift Point/Tie Down	
110	1001212290	1	Decal - Tie Down	
111	1001212291	2	Decal - Lifting Lug	
112	1001237899	1	Decal - Arms Prop	
201	1702155	1	Decal - Battery Disconnect	
202	1705195	1	Decal - Danger/Warning	
203	1001146794	1	Decal - Battery/Charger Service	
204	1001215752	4	Decal - Crushing Hazard	
205	1001211779	4	Decal - Electrocutation	
206	1001212292	1	Decal - No Lifting	
207	1001212293	1	Decal - No Forklift	
208	1001237538	1	Decal - Battery Spacer	
209	1704344	2	Decal - Warning Battery Ventilation	
212	1001224051	1	Decal - Yearly Inspection	
213	1001215747	4	Decal - Danger Electrocutation	
216	1001244298	1	Decal - Wechat QR Code	

# SECTION 8 - DECALS

## FIGURE 8-6. DECAL INSTALLATION (CSA SPECS)



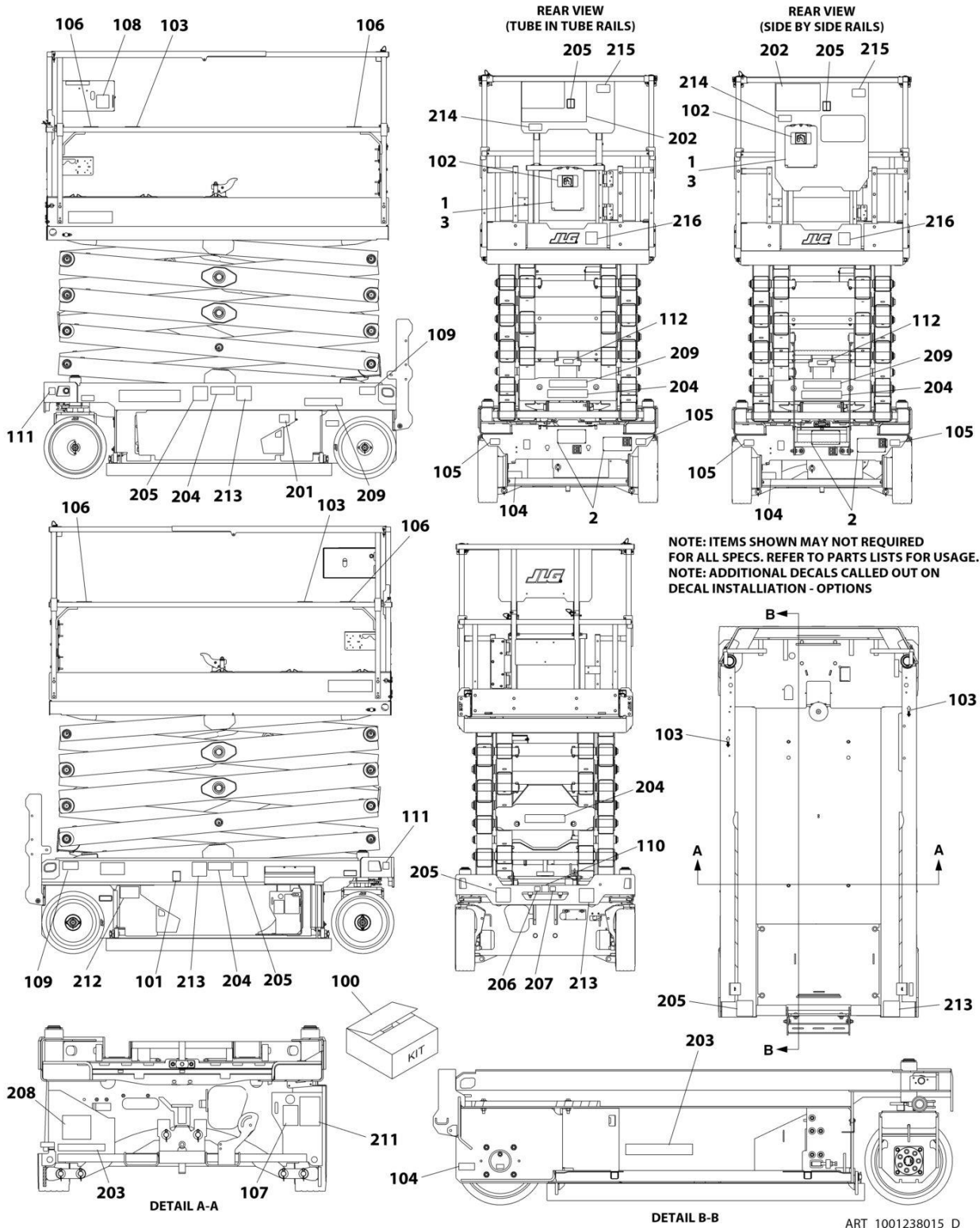
## SECTION 8 - DECALS

**FIGURE 8-6. DECAL INSTALLATION (CSA SPECS)**

ITEM	PART NUMBER	QTY	DESCRIPTION	REV
	1001238019	Ref	DECAL INSTALLATION (ENGLISH/FRENCH LANGUAGE)	C
	1001237749	Ref	DECAL REFERENCE CHART	F
1	2080040	3	Fastener	
2	2080057	4	Fastener	
3	8990147	1	Holder, Manual	
100	1001239270	1	Master Decal Kit	D
101	1701504	1	Decal - Hydraulic Oil	
102	1701640	1	Decal - Manual	
103	1703819	4	Decal - Direction Arrow	
104	1001248126	1	Decal - Manual Descent Instructions	
105	1704016	2	Decal - Fork Lift	
106	1704277	4	Decal - Lanyard Attach	
107	1704412	1	Decal - Hydraulic Oil	
108	1001132359	1	Decal - Control Box Locate	
109	1001162864	2	Decal - Lift Point/Tie Down	
110	1001212290	1	Decal - Tie Down	
111	1001212291	2	Decal - Lifting Lug	
112	1001237899	1	Decal - Arms Prop	
201	1702155	1	Decal - Battery Disconnect	
202	1704684	1	Decal - Danger/Warning	
203	1001146794	1	Decal - Battery/Charger Service	
204	1705311	4	Decal - Crushing Hazard	
205	1001211779	4	Decal - Electrocution	
206	1001212292	1	Decal - No Lifting	
207	1001212293	1	Decal - No Forklift	
208	1001237538	2	Decal - Battery Spacer	
209	1704340	1	Decal - Warning Battery Ventilation	
211	1001131270	1	Decal - Patent	
212	1001223971	1	Decal - Yearly Inspection	
213	1001215749	4	Decal - Danger Electrocution	
214	1001228370	1	Decal - ICES	
215	1001231801	1	Decal - Warning Prop 65	

# SECTION 8 - DECALS

## FIGURE 8-7. DECAL INSTALLATION (KOREAN SPECS)



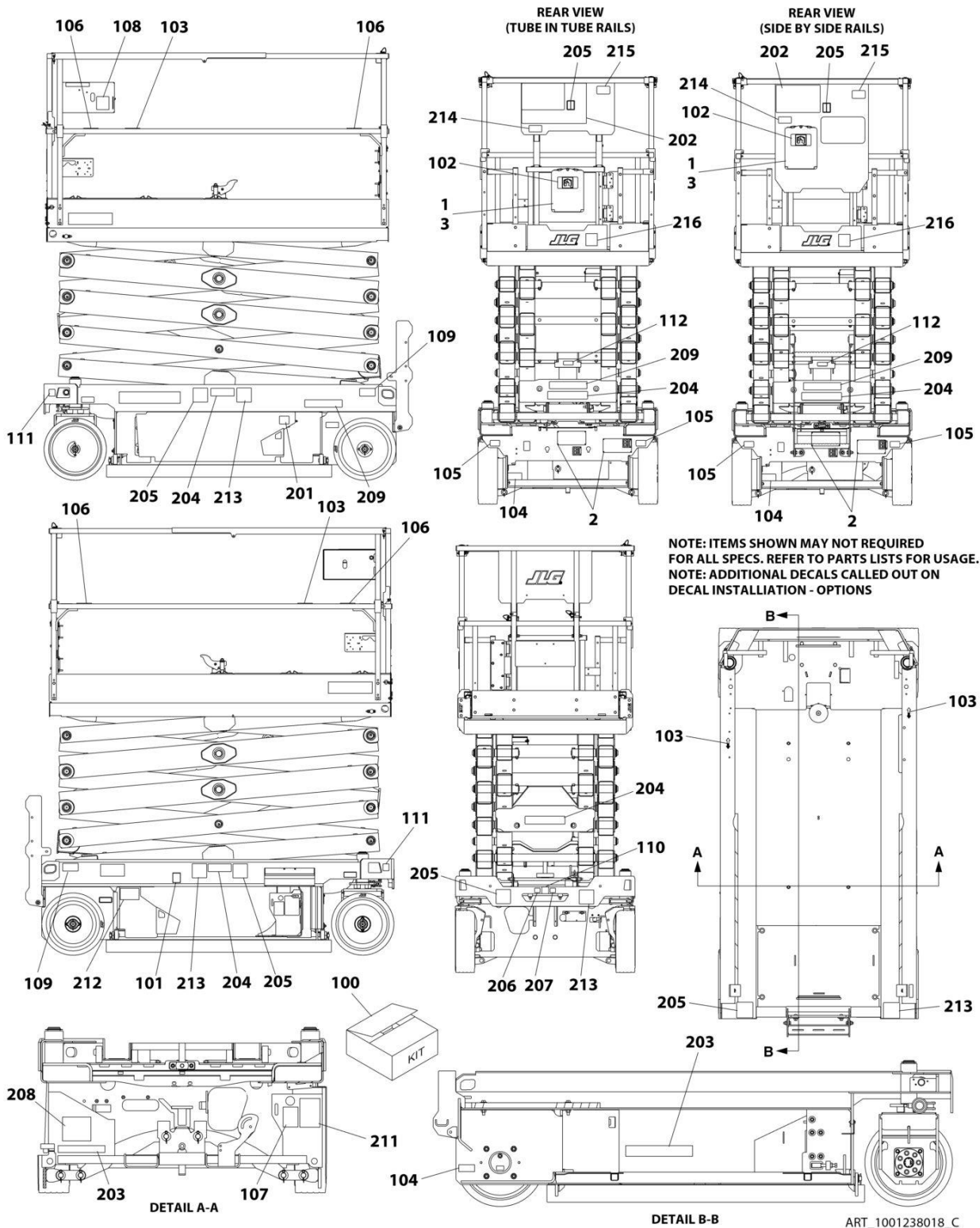
## SECTION 8 - DECALS

**FIGURE 8-7. DECAL INSTALLATION (KOREAN SPECS)**

ITEM	PART NUMBER	QTY	DESCRIPTION	REV
	1001238015	Ref	DECAL INSTALLATION (ENGLISH/KOREAN LANGUAGES)	D
	1001237749	Ref	DECAL REFERENCE CHART	H
1	2080040	3	Fastener	
2	2080057	4	Fastener	
3	8990147	1	Holder, Manual	
100	1001239270	1	Master Decal Kit	D
101	1701504	1	Decal - Hydraulic Oil	
102	1701640	1	Decal - Manual	
103	1703819	4	Decal - Direction Arrow	
104	1001248126	1	Decal - Manual Descent Instructions	
105	1704016	2	Decal - Fork Lift	
106	1704277	4	Decal - Lanyard Attach	
107	1704412	1	Decal - Hydraulic Oil	
108	1001132359	1	Decal - Control Box Locate	
109	1001162864	2	Decal - Lift Point/Tie Down	
110	1001212290	1	Decal - Tie Down	
111	1001212291	2	Decal - Lifting Lug	
112	1001237899	1	Decal - Arms Prop	
201	1702155	1	Decal - Battery Disconnect	
202	1001162115	1	Decal - Danger/Warning	
203	1001146794	1	Decal - Battery/Charger Service	
204	1001215751	4	Decal - Crushing Hazard	
205	1001211779	4	Decal - Electrocutation	
206	1001212292	1	Decal - No Lifting	
207	1001212293	1	Decal - No Forklift	
208	1001237538	1	Decal - Battery Spacer	
209	1707022	2	Decal - Warning Battery Ventilation	
212	1001224048	1	Decal - Yearly Inspection	
213	1001215750	4	Decal - Danger Electrocutation	

# SECTION 8 - DECALS

## FIGURE 8-8. DECAL INSTALLATION (LATIN AMERICAN SPECS)



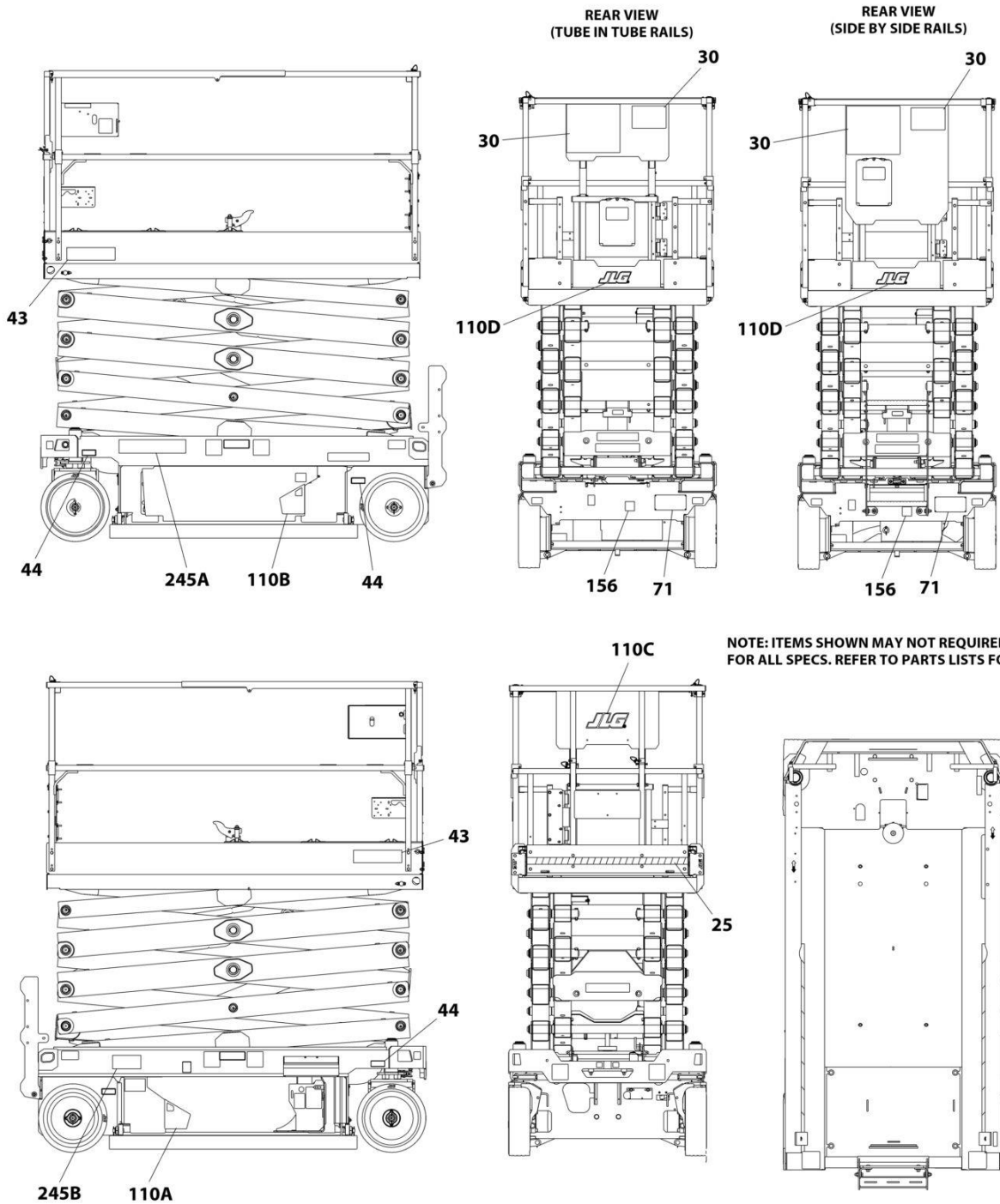
## SECTION 8 - DECALS

**FIGURE 8-8. DECAL INSTALLATION (LATIN AMERICAN SPECS)**

ITEM	PART NUMBER	QTY	DESCRIPTION	REV
	1001238018	Ref	DECAL INSTALLATION (ENGLISH/SPANISH LANGUAGES)	C
	1001237749	Ref	DECAL REFERENCE CHART	F
1	2080040	3	Fastener	
2	2080057	4	Fastener	
3	8990147	1	Holder, Manual	
100	1001239270	1	Master Decal Kit	D
101	1701504	1	Decal - Hydraulic Oil	
102	1701640	1	Decal - Manual	
103	1703819	4	Decal - Direction Arrow	
104	1001248126	1	Decal - Manual Descent Instructions	
105	1704016	2	Decal - Fork Lift	
106	1704277	4	Decal - Lanyard Attach	
107	1704412	1	Decal - Hydraulic Oil	
108	1001132359	1	Decal - Control Box Locate	
109	1001162864	2	Decal - Lift Point/Tie Down	
110	1001212290	1	Decal - Tie Down	
111	1001212291	2	Decal - Lifting Lug	
112	1001237899	1	Decal - Arms Prop	
201	1702155	1	Decal - Battery Disconnect	
202	1704691	1	Decal - Danger/Warning	
203	1001146794	1	Decal - Battery/Charger Service	
204	1705316	4	Decal - Crushing Hazard	
205	1001211779	4	Decal - Electrocutation	
206	1001212292	1	Decal - No Lifting	
207	1001212293	1	Decal - No Forklift	
208	1001237538	1	Decal - Battery Spacer	
209	1704339	2	Decal - Warning Battery Ventilation	
212	1001224049	1	Decal - Yearly Inspection	
213	1001215748	4	Decal - Danger Electrocutation	

# SECTION 8 - DECALS

## FIGURE 8-9. DECAL INSTALLATIONS - OPTIONS



NOTE: ITEMS SHOWN MAY NOT REQUIRED FOR ALL SPECS. REFER TO PARTS LISTS FOR USAGE.

ART\_DECAL\_OPTIONS



## SECTION 8 - DECALS

**FIGURE 8-9. DECAL INSTALLATIONS - OPTIONS**

ITEM	PART NUMBER	QTY	DESCRIPTION	REV
		Ref	DECAL INSTALLATION - OPTIONS:	
25	1001209906	Ref	Corner Stripes Installation	
25	4420051	30 in/ 75 cm	Tape, Safety	
30		Ref	Decal - Capacity Options	
30	1001239684	1	Decal - Capacity (507 LB/ 230 KG)	
30	1001244506	Ref	Decal - Capacity (with Dual Languages)	
30	1001239684	1	Decal - Capacity (507 LB/ 230 KG)	
30	1001216865	1	Plate, Decal Mounting (Not Shown)	
30	1001248681	1	Decal - Capacity (507 LB/ 230 KG) (Indoor Only (Australian Specs))	
43	1001257174	2	Decal - Model Designation - R2632	
44	1706310	4	Decal - Maximum Tire Load	
71	See Note	NSS	Decal - Manufacturing Serial Number (Note: Not Available for Purchase)	
110	1001255102	Ref	JLG Decal Installation	A
110A	1001255104	1	Decal - Door (RH)	
110B	1001255105	1	Decal - Door (LH)	
110C	1001256675	1	Decal - JLG	
110D	1001256676	1	Decal - JLG	
156	1001173703	1	Decal - EAC (Russian/CIS Specs)	
245	1001236984	Ref	Decal Installation - ClearSky	B
245A	1001116208	1	Decal - ClearSky	
245B	1001120989	1	Decal - Radio Frequency	



## **SECTION 9 - RECOMMENDED SERVICE PARTS STOCK**

## **SECTION 9 - RECOMMENDED SERVICE PARTS STOCK**

## SECTION 9 - RECOMMENDED SERVICE PARTS STOCK

FIGURE 9-1. RECOMMENDED SERVICE PARTS STOCK

ITEM	PART NUMBER	QTY	DESCRIPTION	REV
		Ref	Note: The following list will service one machine (built to current production per date on the front cover) with emergency repair parts which can be installed in the field. Parts from the list should be replaced when inventory is depleted to keep service parts stock supplied. For further information, contact your JLG dealer or the JLG Industries Parts Department.	
		Ref	STANDARD PARTS	
	70005423	6	Hydraulic Filter Service Kit	
	70006297	1	Coil	
	70005893	1	Coil	
	3740150	1	Relay	
	4360328	1	Switch, Toggle	
	4360469	1	Switch, Key	
	2860030	1	Key, Replacement	
	4360475	1	Switch, Mushroom	
	3080007	1	Magnet, Latch	
	1600402	1	Controller, Drive/Steer	
	4360345	1	Switch, Toggle	
	1001200633	1	Switch, Push Button	
	8229242	2	Fuse 5Amp	
	8229244	2	Fuse 15 Amp	
		Ref	VARIABLE PARTS	
	1001203871	1	Switch, Roller	
	1001186466	1	Sensor, Tilt	
	1001200629	1	Module, Control	
	1001216062	1	Module, Power	
	4360336	1	Switch, Toggle (Machines with Inverter)	
	1001225164	1	Sensor, Pressure Transducer	
	1001235104	1	Sensor, Pressure Transducer	
	1001228112	1	Module, Platform	
	1001181045	1	Breaker 30mAmp/16Amp (CE & UK CA Specs Machines)	
	1001189171	1	Breaker 30mAmp (CE & UK CA Specs Machines)	
	1001189172	1	Breaker 16Amp Double (CE & UK CA Specs Machines)	

**SECTION 10 - SPECIAL OPTIONS**

# SECTION 10 - SPECIAL OPTIONS

## FIGURE 10-1. SPECIAL OPTIONS

ITEM	PART NUMBER	QTY	DESCRIPTION	REV
		Ref	Note: This list is to accommodate machines ordered with special equipment. Options may not be applicable to all models. For more specific parts information contact the JLG Parts Department.	
		Ref	SPECIAL OPTIONS	
	1001236903	Ref	Antivandalism Package (Factory Installed)	
	1001249639	Ref	Antivandalism Add-on Kit (Dealer Installed)	
	1001255597	Ref	Can Battery Charger Kit (Dealer Installed)	
		Ref	ClearSky Installation Options (Factory Installed):	
	1001278847	Ref	ClearSky Installation - 3-Wire GT1030 (All Specs) (Factory Installed)	
	1001251146	Ref	ClearSky Installation - Canbus (ANSI, ANSI Export, Australian, CE, CSA & UK CA Specs)	
		Ref	ClearSky Add-on Kit Options (Dealer Installed):	
	1001278848	Ref	ClearSky Add-on Kit- 3-Wire GT1030 (All Specs) (Dealer Installed)	
	1001265376	Ref	ClearSky Add-on Kit - Canbus (ANSI, ANSI Export & CSA Specs) (Dealer Installed):	
	1001237257	Ref	ClearSky Add-on Kit - Canbus (ANSI Export, CE & UK CA Specs) (Dealer Installed):	
	1001248502	Ref	ClearSky Add-on Kit - Canbus (Australian Specs) (Dealer Installed):	
	1001248503	Ref	ClearSky Add-on Kit - Canbus (China) (Dealer Installed):	
	1001248689	Ref	ClearSky Add-on Kit - Access Control (Dealer Installed):	
		Ref	Decal Kit Options:	
	1001274825	Ref	Decal Kit - Master	
	1001234319	Ref	Drive Motor Covers installation	
		Ref	Electrical Connector Kits	
	1001148902	Ref	Amp/Tyco Electrical Connector Kit	
	1001148903	Ref	Deutsch DT Electrical Connector Kit	
	1001148904	Ref	Deutsch HD Electrical Connector Kit	
	1001148905	Ref	Packard Electrical Connector Kit	
	1001148906	Ref	Various Electrical Connector Kit	
	1001246082	Ref	European Subassembly Kit	
	1001218728	Ref	Fire Extinguisher Installation	
	1001248843	Ref	Foot Latch Add-on Kit (Dealer Installed)	
	1001208061	Ref	Footswitch Installation (Japanese & Korean Specs Only)	
	1001269646	Ref	Heavy Duty Tool Tray/Work Surface Kit (Dealer Installed)	
	1001220933	Ref	Height Restrictor Switch Installation	
	1001249638	Ref	Inverter Add-on Kit (Dealer Installed)	
	1001250532	Ref	Mobile Control Add-on Kit (Dealer Installed)	
	1001229076	Ref	Noise Reduction Add-on Kit (Dealer Installed)	
	1001229728	Ref	Overhead Protection Add-on Kit (Dealer Installed)	
	1001270721	Ref	Pipe Racks Kit (Dealer Installed)	
	1001269651	Ref	Platform Control Box Cover Add-on Kit (Dealer Installed)	
	1001225790	Ref	Platform Extension Handles Add-on Kit (Dealer Installed)	
	1001262557	Ref	Platform Self Closing Gate Add-on Kit (Dealer Installed)	
	1001262558	Ref	Platform Self Closing Gate Add-on Kit (Dealer Installed)	
	1001239481	Ref	Remote Tow Installation	
	1001224583	Ref	Service Kits List	
	1001254721	Ref	SkySense Level 1 Add-on Kit (Dealer Installed)	V

## SECTION 10 - SPECIAL OPTIONS

ITEM	PART NUMBER	QTY	DESCRIPTION	REV
	1001254542	Ref	SkySense Level 2 Add-on Kit (Dealer Installed)	
	1001255883	Ref	SkySense Level 1 Installation (Factory Installed)	
	1001255669	Ref	SkySense Level 2 Installation (Factory Installed)	
	1001249229	Ref	Strobe (Single) Light Add-on Kit (Dealer Installed)	
	1001249230	Ref	Strobe (Dual) Light Add-on Kit (Dealer Installed)	
	1001264614	Ref	Tool Tray	
	1001300605	Ref	Pin Pivot Kit	
		Ref	Tools for Service	
	2901443	1	Analyzer Kit	
	1001232474	1	Benchtop Harness	
	8896941	1	Wire Stripper	
	7002821	1	Wire Crimper (To install wire ends to wires)	
	7002823	1	Pin/Socket Extractor - Universal (To Remove Pins/Sockets from Connectors)	
	4460467	1	Extractor - 16-18 Gauge (For Removal Pins/Sockets from Deutsch Connectors)	
	4460510	1	Extractor - 12-14 Gauge (For Removal of Pins/Sockets from Deutsch Connectors)	
	7002822	1	Screwdriver, Potentiometer (To Adjust Drive Controllers)	
	7016654	1	Screwdriver, Magnetic	
	7004275	1	Seal Installation Tool - 1in	
	7004276	1	Seal Installation Tool - 1-1/2in	
	7002826	1	Seal Installation Tool - 2in	
	1001262959	Ref	Voltage Regulator Location Add-on Kit (Dealer Installed)	





## **PART NUMBER INDEX**

0100011.....13, 15, 19, 21, 23, 25, 27, 29, 43, 45, 75, 93, 95, 97	1001100347.....219	1001162864 .....225, 227, 229, 231, 233, 235, 237, 239	1001207974.....169, 175, 177, 179, 181, 185
0100051.....63, 65, 67, 69, 71	1001101540.....73	1001162886 .....187	1001208061.....246
0140030.....103, 105	1001102258.....139, 141, 143, 145, 147, 149, 151, 153, 155	1001162887 .....59, 187	1001208852.....93
0140043.....51, 55	1001102489.....169, 171, 173, 175, 177, 179, 181, 183	1001163340 .....59, 187	1001209482.....145, 147, 161
0275216.....141, 213	1001102771.....165, 167	1001173703 .....241	1001209596.....103, 105
0275217.....143, 221	1001103012.....188	1001179447 .....13, 129	1001209682.....51, 53
0275452.....145, 217	1001103471.....153, 185	1001181045 .....159, 244	1001209776.....141, 143, 149, 159
0275453.....147, 219	1001104498.....188	1001182806 .....35	1001209906.....241
0275454.....149, 215	100110498.....188	1001186466 .....21, 244	1001210064.....93
0440223.....115	1001110302.....19	1001187587 .....95, 97	1001210079.....57
0440259.....13, 129	1001112112.....67	1001187816 .....155	1001210302.....95, 97
0440263.....19	1001113961.....187	1001188116 .....155	1001210401... 63, 65, 67, 69, 71
0440264.....81, 84, 85	1001116208.....241	1001189171 .....161, 244	1001210440.....73
0440265.....81, 85	1001116812.. 57, 59, 165, 167, 187	1001189172 .....161, 244	1001210446.....97
0480100.....109	1001118274.....57, 59	1001192401 .....57, 188	1001210447.....97
0630587.....51, 53, 55, 73	1001118812.....57, 163	1001194421 .....209	1001210458.....95, 97
0630613.....75, 87	1001120204.....141, 143, 145, 147, 149	1001196589 .....188	1001210458.....95, 97
0700412.....51, 55	1001120205.....159, 161	1001196634 .....167	1001210586.....95, 97
0700610.....80, 84, 115	1001120989.....241	1001196635 .....59	1001210605.....73
0700612.....19, 21, 29, 59, 80, 84	1001125483.....73	1001197396 .....13	1001210878.....73
0700616.....111	1001125677.. 57, 163, 188	1001200561 .....23	1001210879.....73
0700617.....51, 53	1001125927 .....157	1001200629 ..51, 53, 244	1001210881.....73
0700621.....99	1001128888.....80, 84	1001200631 .....51, 53	1001210882.....73
0700814 80, 84, 141, 143, 145, 147, 149, 153, 185	1001130220... 23, 25, 27, 29, 39, 51, 53, 80, 84, 103, 105	1001200632 .....61	1001210882.....73
0700815.....19	1001130590.....51, 53	1001200633 .....244	1001210963.....95, 97
0700817.....75, 109	1001131270.....225, 235	1001200812 .....191, 199	1001210966.....51, 53
0700818.....95, 97, 99	1001132358.....103, 105	1001200819 .....103, 105, 209	1001210967.....73
0700819.....91, 101	1001132359.....225, 227, 229, 231, 233, 235, 237, 239	1001201705 .....43, 45	1001211777.....225
0700820.....95	1001132361.....103, 105	1001201706 .....43, 45	1001211779.....225, 233, 235, 237, 239
0700823.....19	1001134280.....185	1001201708 ...63, 65, 67, 69, 71	1001212035.....209
0700835.....103, 105	1001134821.....101	1001201711 ...63, 65, 67, 69, 71	1001212036.....209
0701015.....75, 80, 84	1001136757 .....73	1001201885 .....187, 209	1001212290.....225, 227, 229, 231, 233, 235, 237, 239
0701019.....87, 111	1001137675.....80, 84, 93	1001202184 .....195, 201	1001212291.....225, 227, 229, 231, 233, 235, 237, 239
0701021.....80, 84	1001142173.....73	1001202773 .....15	1001212292.....225, 227, 229, 231, 233, 235, 237, 239
0701024.....87	1001142174.....73	1001202851 .....43, 45	1001212293.....225, 227, 229, 231, 233, 235, 237, 239
0760408.....139, 141, 143, 145, 147, 149, 155	1001143009.....73	1001202987 .....19	1001212294.....43, 45
0760608.....97, 119	1001143010.....73	1001203450 .....43, 45	1001213264.....15, 17
0760610.....39, 51, 53, 73, 101, 103, 105, 119, 153	1001143501.....133, 135	1001203836 .....133, 135	1001213448.....188
0760612.....23, 25, 27, 35	1001144147... 57, 59, 163	1001203846 .....133, 135	1001213838.....93
0760810.....43, 45, 59, 93, 95, 117	1001144295.....188	1001203869 .....19	1001213875.....43
0760812.....57, 93	1001144296.....188	1001203870 .....19	1001213886.....103, 105
0760820.....117	1001144296.....188	1001203871 .....19, 244	1001214217.....21
0760827.....43, 45	1001146794.....225, 227, 229, 233, 235, 237, 239	1001203872 .....19	1001214347.....69
0761012.....13, 43, 45	1001146795.....231	1001204495 .....35	1001214526.....19
0761014.....93	1001146963.....80, 84	1001205345 .....80	1001214528.....19
0761015.....37	1001148902.....246	1001205409 .....59, 187	1001214534.....19
0761019.....97	1001148903.....246	1001205410 .....187	1001214810.....75
0761221.....75	1001148904.....246	1001205411 .....187	1001215216.....33
0861731.....211, 215, 217, 219	1001148905.....246	1001205412 .....187	1001215747.....233
0861781.....213, 221	1001151629.....187	1001205422 .....93	1001215748.....229, 239
0861880.....159	1001152266.....188	1001205424 .....93	1001215749.....235
0962006.....127	1001152483.....161	1001205430 .....93	1001215750.....237
1001047064 .....103, 105	1001153785.....13	1001205598 .....29	1001215751.....237
1001091102 ...19, 31, 33, 51, 55	1001154378.....95, 97	1001205598 .....29	1001215752.....233
1001097150 .....153, 157	1001156186.....95	1001205751 .....13	1001215762.....51, 53
1001100341 .....213	1001157547.....73	1001206225 .....97	1001215953.....19
1001100342 .....221	1001159186.....187, 209	1001206226 .....97	1001216062... 51, 53, 244
1001100345 .....217	1001162115.....237	1001206995 .....27	1001216180.....65
1001100346 .....215		1001207009 .....23, 25	
		1001207293 .....61	
		1001207494 .....51, 53	
		1001207970 .....171	
		1001207973 .....183	

1001216648 .....	229	1001232474 .....	247	1001237899 .....	225, 227,	1001244298 .....	233
1001216650 .....	229	1001232622 .....	95	229, 231, 233, 235,		1001244323 .....	153
1001216823 .....	99	1001233795 ...	80, 84, 205	237, 239		1001244394 .....	59
1001216865 .....	241	1001234006 .....	95, 97	1001237989 .....	67	1001244416 ...	80, 85, 127
1001217059 .....	21	1001234007 .....	95, 97	1001237991 .....	69	1001244506 .....	241
1001217164 .....	159, 161	1001234141 .....	97	1001238014 .....	225	1001244644 .....	185
1001218285 .....	103, 105	1001234142 .....	97	1001238015 .....	237	1001244885 .....	59
1001218307 .....	19	1001234204 .....	80, 84	1001238016 .....	233	1001244900 .....	153
1001218573 .....	75	1001234319 .....	246	1001238017 .....	229	1001245293 .....	59
1001218728 .....	246	1001234384 .....	91	1001238018 .....	239	1001245299 .....	59
1001220409 .....	101	1001234385 .....	93	1001238019 .....	235	1001245353 .....	59
1001220410 .....	101	1001234386 .....	97	1001238020 .....	231	1001245739 .....	153, 157
1001220893 .....	103, 105	1001234387 .....	95	1001238021 .....	227	1001245743 .....	157
1001220933 .....	246	1001234407 .....	93	1001238130 .....	145	1001245744 .....	153, 157
1001220955 .....	101	1001234479 .....	51	1001238131 .....	147	1001245747 .....	153
1001221244 .....	111	1001234797 .....	19	1001238132 .....	149	1001246082 .....	246
1001221275 .....	111	1001234798 .....	19	1001238133 .....	141	1001246674 .....	81, 85
1001221276 .....	111	1001234838 .....	13	1001238134 .....	143	1001247627 .....	133, 135
1001221949 .....	173	1001234842 .....	37	1001238135 .....	155	1001247706 .....	91
1001222587 .....	99	1001234858 .....	75	1001238198 .....	141, 143,	1001247707 .....	80, 85
1001222914 .....	111	1001234862 .....	75	145, 147, 149, 153		1001248126 .....	225, 227,
1001223055 .....	225	1001235008 .....	51	1001238392 .....	57	229, 231, 233, 235,	
1001223262 .....	197	1001235104 .....	80, 244	1001238684 .....	80, 84	237, 239	
1001223263 .....	193	1001235106 .....	63	1001239224 .....	31, 33	1001248502 .....	246
1001223650 .....	199	1001235286 .....	95	1001239269 ...	65, 67, 69,	1001248503 .....	246
1001223651 .....	201	1001235555 .....	91	71		1001248631 .....	169
1001223971 .....	235	1001235559 .....	51, 53	1001239270 .....	225, 227,	1001248632 .....	171
1001224048 .....	237	1001235834 .....	63	229, 231, 233, 235,		1001248634 .....	173
1001224049 .....	239	1001235863 .....	119	237, 239		1001248679 .....	43, 45, 49
1001224051 .....	233	1001235941 .....	109	1001239386 .....	55	1001248681 .....	241
1001224052 .....	229	1001235954 .....	73	1001239479 .....	80, 84	1001248689 .....	246
1001224583 .....	246	1001235955 .....	37	1001239481 .....	246	1001248768 .....	59
1001225164 ...	80, 84, 244	1001236132 .....	73	1001239661 .....	31, 33	1001248773 .....	57
1001225790 .....	246	1001236139 ...	23, 25, 27,	1001239674 .....	87	1001248843 .....	246
1001226277 .....	111	29		1001239675 .....	191	1001249054 .....	71
1001226749 .....	103, 105	1001236269 .....	80, 84	1001239676 .....	195	1001249229 .....	247
1001226791 .....	80, 84	1001236486 .....	80, 84	1001239677 .....	193	1001249230 .....	247
1001226901 .....	111	1001236487 .....	80, 84	1001239678 .....	197	1001249638 .....	246
1001227219 .....	185	1001236488 .....	80, 84	1001239679 .....	203	1001249639 .....	246
1001227267 .....	153, 185	1001236623 .....	97	1001239684 .....	241	1001250532 .....	246
1001227268 .....	153	1001236624 .....	95	1001239892 .....	87	1001251146 .....	246
1001227269 .....	157	1001236632 .....	65	1001239894 .....	87	1001252626 .....	115
1001227728 .....	111	1001236801 .....	133, 135	1001239925 .....	80, 84	1001253726 .....	119
1001227855 .....	19	1001236802 .....	133, 135	1001239926 .....	91	1001253800 .....	123
1001228112 .....	244	1001236803 .....	133, 135	1001239927 .....	80, 84	1001253952 .....	25
1001228123 ...	63, 65, 67,	1001236809 .....	133, 135	1001239928 .....	80, 84	1001254027 ...	25, 57, 163
69, 71		1001236849 .....	19	1001239929 .....	80, 84	1001254028 .	25, 165, 167
1001228184 .....	111	1001236903 .....	246	1001239930 .....	80	1001254542 .....	247
1001228191 .....	157	1001236984 .....	241	1001239931 .....	81, 84	1001254721 .....	246
1001228370 .....	225, 235	1001237132 .....	191, 193,	1001241352 .....	87	1001255102 .....	241
1001228388 .....	165	195, 197, 203		1001241353 .....	87	1001255104 .....	241
1001228406 .....	37	1001237257 .....	246	1001241358 .....	87	1001255105 .....	241
1001229076 .....	246	1001237400 .....	139	1001241737 .....	81, 84	1001255597 .....	246
1001229110 ...	63, 65, 67,	1001237401 .....	151	1001241738 .....	81, 85	1001255669 .....	247
69, 71		1001237538 .....	225, 227,	1001241739 .....	81, 85	1001255883 .....	247
1001229728 .....	246	229, 231, 233, 235,		1001241740 .....	81, 85	1001256642 .....	23, 25
1001229732 .....	95	237, 239		1001241741 .....	81, 85	1001256643 .....	27, 29
1001229733 .....	95	1001237696 .....	13	1001241742 .....	81, 85	1001256675 .....	241
1001229734 .....	95	1001237707 .....	37	1001241743 .....	81, 85	1001256676 .....	241
1001229739 .....	95	1001237708 .....	37	1001241744 .....	81, 85	1001257174 .....	241
1001229740 .....	95	1001237737 .....	19	1001241894 .....	43	1001258356 .....	57
1001229741 .....	95	1001237749 .....	225, 227,	1001242230 .....	133, 135	1001258446 .....	103, 105
1001229742 .....	95	229, 231, 233, 235,		1001242539 .....	31, 33	1001258498 .....	71
1001229792 .....	75	237, 239		1001242697 .....	31	1001258691 .....	57
1001230248 .....	95	1001237824 .....	80, 84	1001242990 .....	33	1001258768 .....	175
1001230249 .....	95	1001237855 .....	39	1001243487 .....	133, 135	1001258770 .....	177
1001231405 .....	95	1001237856 .....	39	1001243488 .....	133, 135	1001258771 .....	179
1001231801 .....	225, 235	1001237887 .....	53	1001243781 .....	19	1001258772 .....	181
1001232257 .....	95			1001244284 .....	15	1001261131 .....	123

1001262150 .....	123	1120555 .....	113	2901443 .....	247	4010610 ....	141, 143, 145,
1001262221 .....	121	1321293 ....	23, 25, 27, 29,	2902431 .....	139, 211	147, 149	
1001262557 .....	246	73		3080007 .....	95, 97, 244	4010616 .....	97
1001262558 .....	246	1321752 .....	43, 45	3121792 .....	59	4010617 .....	95, 97
1001262655 .....	103, 105	1380132 .....	99	3252507 .....	143, 145, 147,	4010618 .....	95, 97
1001262959 .....	247	1380153 .....	13	149, 151, 155		4031509 .....	103, 105
1001263256 .....	23	1580023 .....	113	3290305 .....	31, 33	4031511 .....	19
1001263257 .....	25	1580024 .....	113	3290405 .....	19, 51, 55, 73,	4031512 .....	80, 84
1001263258 .....	27	1600402 ....	103, 105, 107,	80, 84, 101, 103, 105,		4031708 .....	21, 29
1001263259 .....	29	244		139, 141, 143, 145,		4060803 .....	103, 105
1001263294 .....	183	1671207 .....	211	147, 149, 153, 155		4060906 .....	103, 105
1001263296 .....	185	1701504 ....	225, 227, 229,	3290505 .....	185	4060944 .....	187
1001264614 .....	247	231, 233, 235, 237, 239		3290601 .....	21, 153	4160078 .....	80, 84
1001265376 .....	246	1701640 ....	225, 227, 229,	3290605 .....	23, 25, 27, 29,	4160202 .....	19
1001269646 .....	246	231, 233, 235, 237, 239		35, 51, 53, 55, 59, 73,		4160214 .....	75
1001269651 .....	246	1702010 .....	119	80, 84, 141, 143, 145,		4191706 .....	115
1001269730 .....	45	1702155 ....	225, 227, 229,	147, 149		4220227 .....	115
1001270533 .....	109	231, 233, 235, 237, 239		3290606 .....	95, 97, 99, 101,	4240003 .....	113, 115
1001270631 .....	109	1703464 .....	139, 141	111, 115, 119		4240017 ....	23, 25, 27, 29,
1001270721 .....	246	1703813 .....	225	3290801 .....	19, 43, 117	43, 45, 51, 53, 55, 59,	
1001270855 .....	109	1703816 .....	225	3290805 .....	19, 43, 45, 75,	63, 65, 67, 69, 71, 73,	
1001271412 .....	109	1703819 ....	103, 105, 225,	80, 84, 91, 93, 109,		80, 84, 111, 139, 141,	
1001273907 .....	115	227, 229, 231, 233,		141, 143, 145, 147,		143, 145, 147, 149,	
1001273909 .....	115	235, 237, 239		149, 153, 185		151, 153, 155, 169,	
1001273957 .....	113	1704016 ....	225, 227, 229,	3290806 .....	95, 97, 99, 101,	171, 173, 175, 177,	
1001273958 .....	113	231, 233, 235, 237, 239		103, 105		179, 181, 185, 191,	
1001273960 .....	115	1704260 .....	103, 105	3291005 .....	37, 43, 45, 75,	193, 195, 197, 199,	
1001273961 .....	117	1704277 ....	225, 227, 229,	87, 93		201, 203	
1001273962 .....	117	231, 233, 235, 237, 239		3291006 .....	87, 97, 111	4240018 .....	33
1001273964 .....	117	1704339 .....	239	3291007 .....	75, 80, 84	4240032 .....	57
1001273966 .....	117	1704340 .....	235	3291201 .....	75	4240033 .....	117
1001273968 .....	119	1704341 .....	229	3321402 .....	80, 84	4240147 .....	19
1001273969 .....	119	1704344 .....	233	3331211 .....	15	4240165 .....	119
1001274168 .....	123	1704412 ....	225, 227, 229,	3421453 .....	115	4340853 .....	113
1001274559 .....	51, 53	231, 233, 235, 237, 239		3422219 .....	97, 113, 115	4340854 .....	113
1001274604 .....	103, 105	1704684 .....	235	3422661 .....	109	4340947 .....	115
1001274605 .....	103, 105	1704691 .....	239	3423037 .....	13	4360328 .....	51, 53, 244
1001274659 .....	103	1704699 .....	229	3423243 .....	75	4360336 .....	73, 244
1001274661 .....	121	1705195 .....	233	3423278 .....	103, 105	4360345 .....	244
1001274825 .....	246	1705311 .....	235	3430636 .....	19	4360469 .....	51, 53, 244
1001274837 .....	113	1705316 .....	239	3430814 .....	93	4360475 51, 53, 103, 105,	
1001274838 .....	115	1705670 .....	227, 231	3430816 .....	93	244	
1001274839 .....	119	1705671 .....	227, 231	3431212 .....	19	4420037 .....	119
1001275631 .....	113	1705673 .....	227, 231	3431218 .....	19	4420051 .....	241
1001278847 .....	246	1705997 .....	113	3450302 .....	19	4420062 ....	43, 81, 84, 95,
1001278848 .....	246	1706310 .....	241	3450303 .....	75	97, 103, 105, 109	
1001283131 .....	105	1707022 .....	237	3450403 .....	93	4460019 .....	187
1001283410 .....	55, 187	2080040 ..	93, 95, 97, 225,	3450505 .....	19	4460042 .....	187
1001283451 .....	105	227, 229, 231, 233,		3460334 .....	113	4460115 .....	187
1001284939 .....	45, 47	235, 237, 239		3520072 .....	87, 95, 97, 115	4460138 .....	139
1001284951 .....	45	2080057 ....	225, 227, 229,	3574505 .....	119	4460183 .....	209
1001284952 .....	45, 135	231, 233, 235, 237, 239		3740150 .....	51, 55, 73, 244	4460226 .....	187
1001285320 .....	85	2110404 .....	129	3760115 .....	80, 84	4460227 23, 25, 165, 187	
1001285829 .....	85, 207	2220371 .....	127	3760170 .....	113, 115	4460234 .....	111
1001286864 .....	84	2220373 .....	133, 135	3760217 .....	13	4460247 .....	187
1001287711 .....	109	2220375 .....	133, 135	3760387 .....	80, 84	4460259 .....	187
1001291264 .....	84	2220497 .....	133, 135	3820019 .....	99	4460260 .....	187
1001300605 .....	247	2220502 .....	133, 135	3841143 .....	75, 80, 84	4460265 .....	209
1001370008 .....	43, 133	2220628 .....	133	3841675 .....	115	4460267 .....	209
1001370010 .....	80	2220828 .....	135	3860111 .....	97	4460315 .....	139, 155
1001380040 .....	75	2220883 .....	127	3900355 .....	113	4460320 .....	187
1001380041 .....	75	2400060 ....	59, 165, 167,	3900381 .....	185	4460346 .....	211
1001380042 .....	75	187		3910804 .....	51, 53	4460418 .....	73, 187, 209
1060379 .....	109, 113, 115	2420172 .....	51, 53	3931412 .....	113	4460419 .....	73
1060908 .....	157, 159, 161	2560088 .....	99	3931508 .....	113	4460424 .....	23, 25, 165
1060998 .....	63, 65, 67, 69,	2560190 .....	99	3990001 .....	167	4460464 ....	33, 35, 57, 59,
71		2600281 .....	95, 97	4010310 .....	31, 33	73, 111, 165, 167, 187,	
1061042 .....	117	2700100 .....	113	4010408 .....	101, 153	191, 193, 195, 197,	
1062255 .....	57	2860030 .....	51, 53, 244	4010608 .....	80, 84, 95, 97		

199, 201, 203, 205, 207, 209	4460965 ..... 188	7000084 .....107	70007597 .....49
4460465 ....31, 33, 57, 59, 111, 165, 167, 187, 188, 191, 193, 195, 197, 199, 201, 203, 205, 207	4460968 ..... 155	70000683 .....107	70007598 .....49
4460466 ..57, 59, 73, 111, 163, 165, 167, 187, 188, 191, 193, 195, 197, 199, 201, 205, 207, 209	4460970 .....205	70000684 .....107	70007599 .....49
4460467 .....247	4461016 .....209	70000685 .....107	70007600 .....49
4460496 ..... 103, 105	4461023 .....187	70000686 .....107	70007601 .....49
4460497 ..... 103, 105	4461196 .....179, 213	70001250 .....107	70007602 .....49
4460510 .....247	4461198 .....213	70001251 .....107	70007946 .....43, 45
4460536 .....111	4461199 .....181, 221	70001252 .....107	70008409 .....47
4460539 .... 188, 193, 197, 205, 207	4461201 .....221	70001253 .....107	70008410 .....47
4460662 .... 145, 147, 149, 211	4461205 .... 175, 217, 219	70003650 .....107	70008411 .....47
4460754 .... 191, 193, 195, 197, 199, 201	4461244 .....217	70004239 .....129	70008412 .....47
4460761 .....187	4461245 .....219	70004241 .....129	70008413 .....47
4460871 ..... 165, 167, 187	4461246 .....215	70004585 .....127	70008414 .....47
4460872 ..... 165, 167	4461249 .....177, 215	70005236 .....127	70021209 .....49
4460877 .....187	4461257 .....141, 143	70005419 .....129	70027244 .....127
4460884 57, 59, 167, 187, 205	4461258 .....141, 143	70005420 .....129	7002821 .....247
4460891 31, 33, 111, 165, 167, 187, 188, 193, 197, 205	4711400 .....113, 115	70005421 .....129	7002822 .....247
4460894 .... 187, 188, 191, 193, 195, 197, 203	4711700 .....103, 105	70005423 ..... 43, 45, 244	7002823 .....247
4460897 ..33, 35, 73, 165, 167, 187, 193, 197	4711800 .....93	70005807 .....17	7002826 .....247
4460899 .... 191, 193, 195, 197, 199, 201, 203	4740086 .....19	70005812 .....17	7004275 .....247
4460905 .....165, 167, 187	4740438 .....80, 84	70005813 .....17	7004276 .....247
4460930 .....188	4740480 .....113	70005816 .....43	7016654 .....247
4460932 ..57, 59, 167, 207	4740531 .....80, 84	70005893 ..... 49, 244	7020175 .51, 53, 103, 105
4460933 .....57, 163, 187, 188	4811400 ..... 73, 101, 103, 105, 139, 141, 143, 145, 147, 149, 153, 155	70005898 .....49	7020176 .51, 53, 103, 105
4460943 57, 59, 163, 191, 193, 195, 197, 199, 201, 203	4811700 .... 35, 51, 53, 55, 59, 73, 95, 97, 101, 103, 105, 119, 141, 143, 145, 147, 149, 153	70005899 .....49	7023308 .....17
4460944 57, 59, 163, 165, 167, 187, 188, 191, 193, 195, 197, 203	4811702 .... 19, 21, 23, 25, 27, 29, 39, 80, 84, 99	70005900 .....49	7023310 .....17
4460956 .....159	4811900 .... 19, 43, 45, 57, 59, 80, 84, 91, 93, 95, 97, 99, 103, 105, 141, 143, 145, 147, 149, 153	70005903 .....49	7023311 .....17
4460957 .....159	4811902 .... 19, 43, 45, 75, 95, 101, 109, 117, 185	70005909 .....49	7023315 .....17
	4812000 .... 13, 19, 75, 80, 84, 87, 93, 97, 111	70005911 .....49	7023318 .....17
	4812002 ..... 37, 43, 45, 75	70005918 .....15	7023321 .....17
	4812500 .....19	70005919 .....15	7023322 .....17
	4831600 .....185	70006244 .....17	7023324 .....17
	4846757 .....13	70006245 .....17	7023328 .....17
	4923328 .... 63, 65, 67, 69, 71	70006297 .....244	7023329 .....17
	5241200 .....15	70006301 .....49	7023407 .....17
	5271808 .....43, 45	70006351 .....43	7023408 .....17
	5272117 .....15	70006352 .....43	7026174 .....17
	5272122 .....15	70006724 .....17	7026179 .....17
	7000082 .....107	70006725 .....17	7027365 .....107
		70007055 .....127	7027367 .....107
		70007101 .....127	7027765 .....107
		70007102 .....127	7027766 .....107
		70007103 .....127	80325 .....115
		70007104 .....127	8229242 .....188, 244
		70007105 .....127	8229244 .....188, 244
		70007106 .....127	8750014 .....43, 45
		70007513 .....17	8896941 .....247
		70007593 .....49	8990147 .... 225, 227, 229, 231, 233, 235, 237, 239
		70007594 .....49	
		70007595 .....49	
		70007596 .....49	



**Corporate Office  
JLG Industries, Inc.  
1 JLG Drive  
McConnellsburg, PA 17233-9533 USA  
☎ (717) 485-5161 (Corporate)  
☎ (877) 554-5438 (Customer Support)  
📠 (717) 485-6417**

**Visit our website for JLG Worldwide Locations.  
[www.jlg.com](http://www.jlg.com)**



**OSHKOSH™**