

SKYTRAK[®]

Illustrated Parts Manual

Models
4270
4290




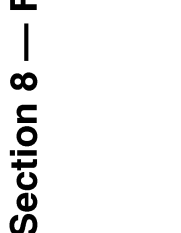

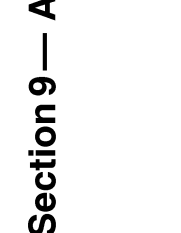

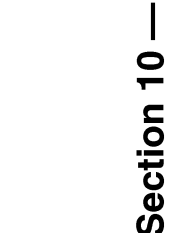

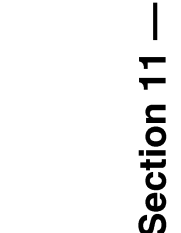


8990438

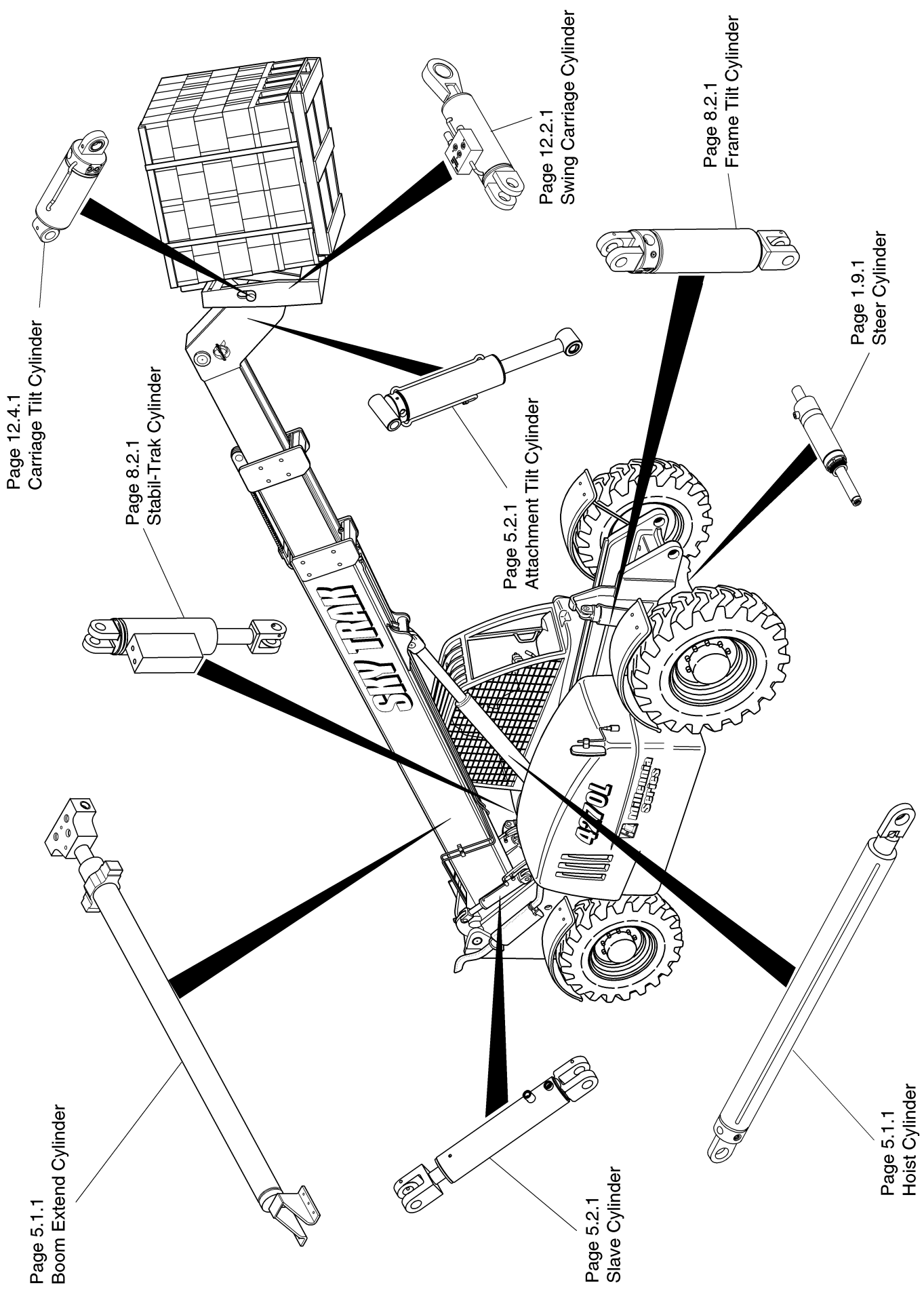
May 2001

ANSI



TABLE OF CONTENTS QUICK REFERENCE

<p>Section 1 — Drive Train</p> 	<p>Section 7 — Steering and Brake Hydraulic Circuits</p> 
<p>Section 2 — Engine, Radiator and Fuel System</p> 	<p>Section 8 — Frame Control Hydraulics</p> 
<p>Section 3 — Frame and Operator's Compartment</p> 	<p>Section 9 — Auxiliary Attachment Hydraulic Circuit (optional)</p> 
<p>Section 4 — Boom Assembly</p> 	<p>Section 10 — Electrical</p> 
<p>Section 5 — Boom Hydraulic Circuits and Cylinders</p> 	<p>Section 11 — Decals and Common Supplies</p> 
<p>Section 6 — Hydraulic System Components</p> 	<p>Section 12 — Attachments</p> 



Page 12.4.1
Carriage Tilt Cylinder

Page 8.2.1
Stabil-Trak Cylinder

Page 5.2.1
Attachment Tilt Cylinder

Page 12.2.1
Swing Carriage Cylinder

Page 8.2.1
Frame Tilt Cylinder

Page 1.9.1
Steer Cylinder

Page 5.1.1
Boom Extend Cylinder

Page 5.2.1
Slave Cylinder

Page 5.1.1
Hoist Cylinder

TABLE OF CONTENTS

Section 1 — Drive Train

Drive Train Assembly 4270.....	1.1.1
Drive Train Assembly 4290.....	1.1.2

Front Axle (MS - T3060)

Front Axle - Input	1.2.1
Front Axle - Limited Slip Differential	1.3.1
Front Axle - Axle Casing	1.4.1
Front Axle - M-Disc Brake	1.5.1
Front Axle - Brake	1.6.1
Front Axle - Joint Housing	1.7.1
Front Axle - Planetary Drive	1.8.1
Steering Cylinder	1.9.1

Rear Axle (MS - T3045)

Rear Axle - Input (1 of 2).....	1.10.1
Rear Axle - Input (2 of 2).....	1.10.1
Rear Axle - Differential	1.11.1
Rear Axle - Axle Casing	1.12.1
Rear Axle - M-Disc Brake	1.13.1
Rear Axle - Brake	1.14.1
Rear Axle - Joint Housing	1.15.1
Rear Axle - Planetary Drive	1.16.1

Transmission (4WG-98 TS)

Engine Connection & Input Shafts	1.25.1
Gearbox Housing	1.26.1
Coupling Group 1	1.27.1
Coupling Group 2	1.28.1
Coupling Group 3	1.29.1
Coupling Group 4	1.30.1
Reversing Gear Group 1	1.31.1
Reversing Gear Group 2	1.32.1
Output	1.33.1
Control Unit	1.34.1

Valve Housing Assembly	1.35.1
Valve Block Assembly	1.36.1
Oil Pump and Filter	1.37.1
Transmission Oil Cooler Assembly	1.38.1

Transfer Box (TB 92-432)

Transfer Box	1.40.1
--------------------	--------

Drive Shafts

Drive Shaft - Transmission to Transfer Box	1.41.1
Drive Shaft - Transfer Box to Front Axle	1.42.1
Drive Shaft - Transfer Box to Rear Axle	1.43.1

Section 2 — Engine, Radiator and Fuel System

Engine Mounting	2.1.1
Radiator and Oil Cooler Mounting	2.2.1
Exhaust System	2.3.1
Air Cleaner Assembly	2.4.1
Fuel System	2.5.1
Throttle Group Assembly	2.6.1

Section 3 — Frame and Operator's Compartment

Main Frame Assembly	3.1.1
Engine Hood and Covers	3.2.1

Operator's Compartment

Operator's Protective Structure - ROPS/FOPS	3.3.1
Steering Column and Shifter Assembly	3.4.1
Operator's Seat and Seat Belt	3.5.1
Suspension Seat	3.6.1
Mirrors	3.7.1

Open Cab

Outer Panels - Open Cab	3.8.1
Inner Console and Dash Panel - Open Cab	3.9.1

TABLE OF CONTENTS

Enclosed Cab

Outer Panels - Enclosed Cab	3.10.1
Inner Console and Dash Panel - Enclosed Cab	3.11.1
Glass - Enclosed Cab	3.12.1
Door Assembly	3.13.1
Rear Window and Wiper Assemblies	3.14.1
Front Windshield Wiper Assembly	3.15.1
Skylight Wiper Assembly	3.16.1
Heater Assembly - Enclosed Cab	3.17.1
Heater Hoses and Vents - Enclosed Cab	3.18.1

Section 4 — Boom Assembly

Outer Boom Assembly (High Pivot)	4.1.1
Outer Boom Assembly (Low Pivot)	4.2.1
Intermediate Boom Assembly	4.3.1
Inner Boom Assembly (High Pivot)	4.4.1
Inner Boom Assembly (Low Pivot)	4.5.1
Boom Extend Chains	4.6.1
Boom Retract Chains	4.7.1
Quick Attach Assembly	4.8.1

Section 5 — Boom Hydraulic Circuits and Cylinders

Boom Lift/Lower & Extend/Retract Circuit (Low Pivot)	5.1.1
Boom Lift/Lower & Extend/Retract Circuit (High Pivot)	5.1.2
Attachment Tilt and Slave Circuit (Low Pivot)	5.2.1
Attachment Tilt and Slave Circuit (High Pivot)	5.2.2
Hoist Cylinder 4270	5.3.1
Hoist Cylinder 4290	5.3.2
Extend Cylinder	5.4.1
Slave Cylinder	5.5.1
Attachment Tilt Cylinder	5.6.1

Section 6 — Hydraulic System Components

Hydraulic Reservoir Assembly	6.1.1
Unloader Valve Hydraulic Circuit	6.2.1
Unloader Valve Assembly	6.3.1
Gear Pump Assembly 4270	6.4.1
Gear Pump Assembly 4290	6.4.2
Valves, Manifold and Brackets	6.5.1
Main Control Valve Assembly (w/o Auxiliary)	6.6.1
Main Control Valve Assembly (w/Auxiliary)	6.6.2
Section Assembly - Boom Extend/Retract	6.7.1
Section Assembly - Boom Lift/Lower	6.8.1
Section Assembly - Frame Tilt	6.9.1
Section Assembly - Attachment Tilt	6.10.1
Section Assembly Auxiliary	6.11.1
Pilot Select Manifold Assembly	6.12.1
Secondary Function Manifold	6.13.1

Section 7 — Steering and Brake Hydraulic Circuits

3 Mode Steering Hydraulic Circuit	7.1.1
3 Mode Steering Directional Control Valve	7.2.1
4 Mode Steering Hydraulic Circuit	7.3.1
4 Mode Steering Directional Control Valve	7.4.1
Service and Parking Brake Hydraulic Circuit	7.5.1
Service Brake Valve and Pedal Mounting	7.6.1

Section 8 — Frame Control Hydraulics

Joystick Hydraulic Circuit	8.1.1
Frame Tilt and Stabil-Trak Circuit	8.2.1
Frame Tilt Cylinder	8.3.1
Stabil-Trak Cylinder	8.4.1
Stabil-Trak Cylinder Valves	8.5.1

TABLE OF CONTENTS

Section 9 — Auxiliary Attachment Hydraulic Circuit (optional)

Auxiliary Hydraulic Circuit - Low Pivot (optional)	9.1.1
Auxiliary Hydraulic Circuit - High Pivot (optional).	9.1.2
Aux Hydraulics - Valves, Manifold and Tubing	9.2.1
Aux Detent Hydraulics - Valves, Manifold and Tubing.	9.3.1
Auxiliary Detent Selector Valve.	9.4.1

Section 10 — Electrical

Operators Cab Wiring Harness.	10.1.1
Engine Wiring Harness	10.2.1
Switches and Fuses	10.3.1
Roadlights Assembly	10.4.1
Roadlights - Switchs and Fuses	10.5.1
Worklights Assembly.	10.6.1

Section 11 — Decals and Common Supplies

Decals.	11.1.1
Filters Paint and Common Supplies	11.2.1

Section 12 — Attachments

48", 60" & 72" Standard Carriage & Forks.	12.1.1
Swing Carriage Assembly	12.2.1
Swing Carriage Cylinder	12.3.1
Side Tilt Carriage Assembly	12.4.1
Side Tilt Carriage Cylinder	12.5.1
12 Ft. Truss Boom	12.6.1
Sheet Material Handler Assembly.	12.7.1
Utility Bucket.	12.8.1

TABLE OF CONTENTS

Section 1 — Drive Train

Drive Train Assembly 4270.....	1.1.1
Drive Train Assembly 4290.....	1.2.1

Front Axle (MS - T3060)

Front Axle - Input	1.2.1
Front Axle - Limited Slip Differential	1.3.1
Front Axle - Axle Casing	1.4.1
Front Axle - M-Disc Brake.....	1.5.1
Front Axle - Brake.....	1.6.1
Front Axle - Joint Housing.....	1.7.1
Front Axle - Planetary Drive	1.8.1
Steering Cylinder	1.9.1

Rear Axle (MS - T3045)

Rear Axle - Input (1 of 2).....	1.10.1
Rear Axle - Input (2 of 2).....	1.10.1
Rear Axle - Differential	1.11.1
Rear Axle - Axle Casing	1.12.1
Rear Axle - M-Disc Brake	1.13.1
Rear Axle - Brake	1.14.1
Rear Axle - Joint Housing.....	1.15.1
Rear Axle - Planetary Drive	1.16.1

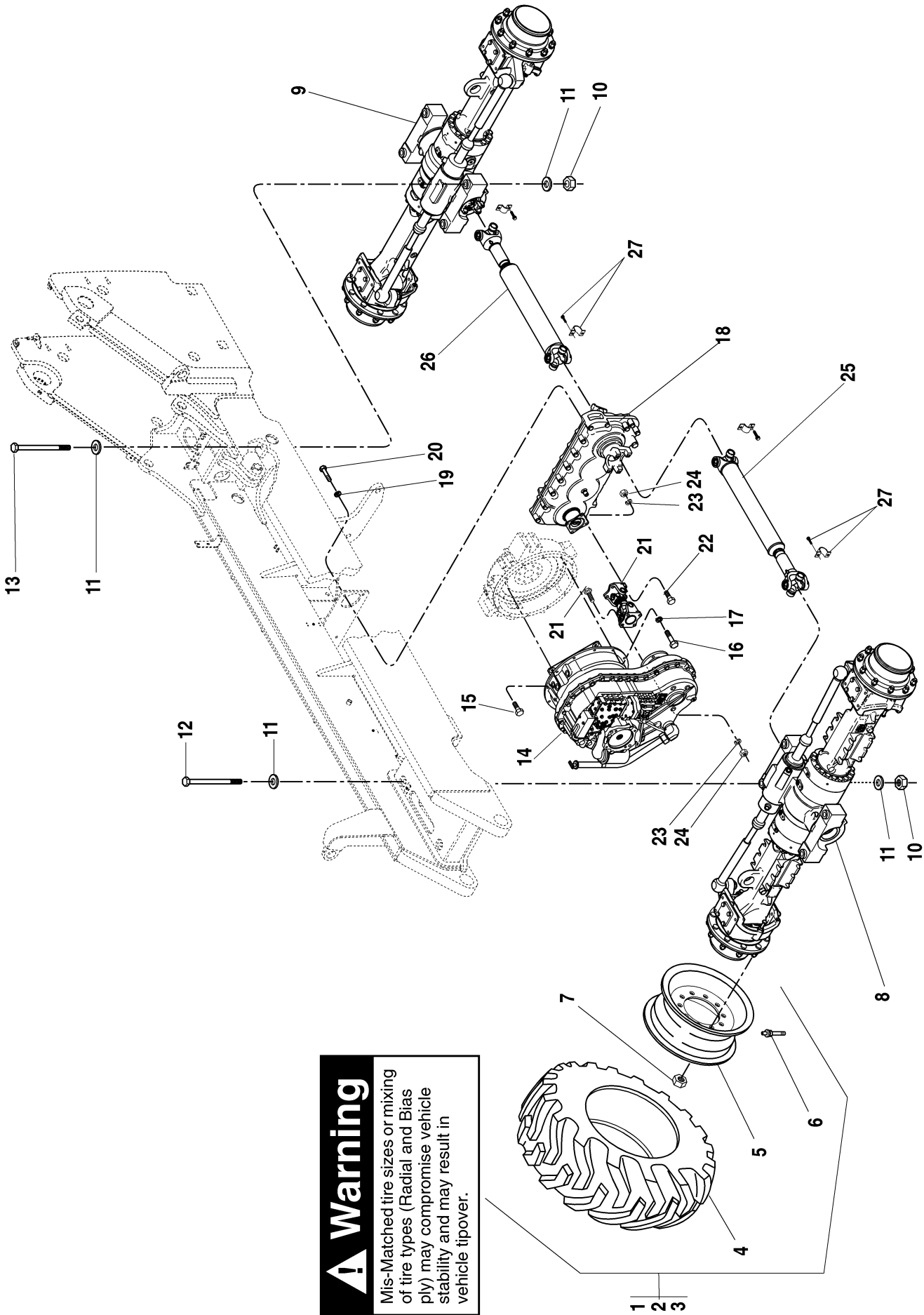
Transmission (4WG-98 TS)

Engine Connection & Input Shafts	1.25.1
Gearbox Housing	1.26.1
Coupling Group 1	1.27.1
Coupling Group 2	1.28.1
Coupling Group 3	1.29.1
Coupling Group 4	1.30.1
Reversing Gear Group 1.....	1.31.1
Reversing Gear Group 2.....	1.32.1
Output	1.33.1

Control Unit	1.34.1
Valve Housing Assembly.....	1.35.1
Valve Block Assembly	1.36.1
Oil Pump and Filter	1.37.1
Transmission Oil Cooler Assembly.....	1.38.1
<u>Transfer Box (TB 92-432)</u>	
Transfer Box	1.40.1

Drive Shafts

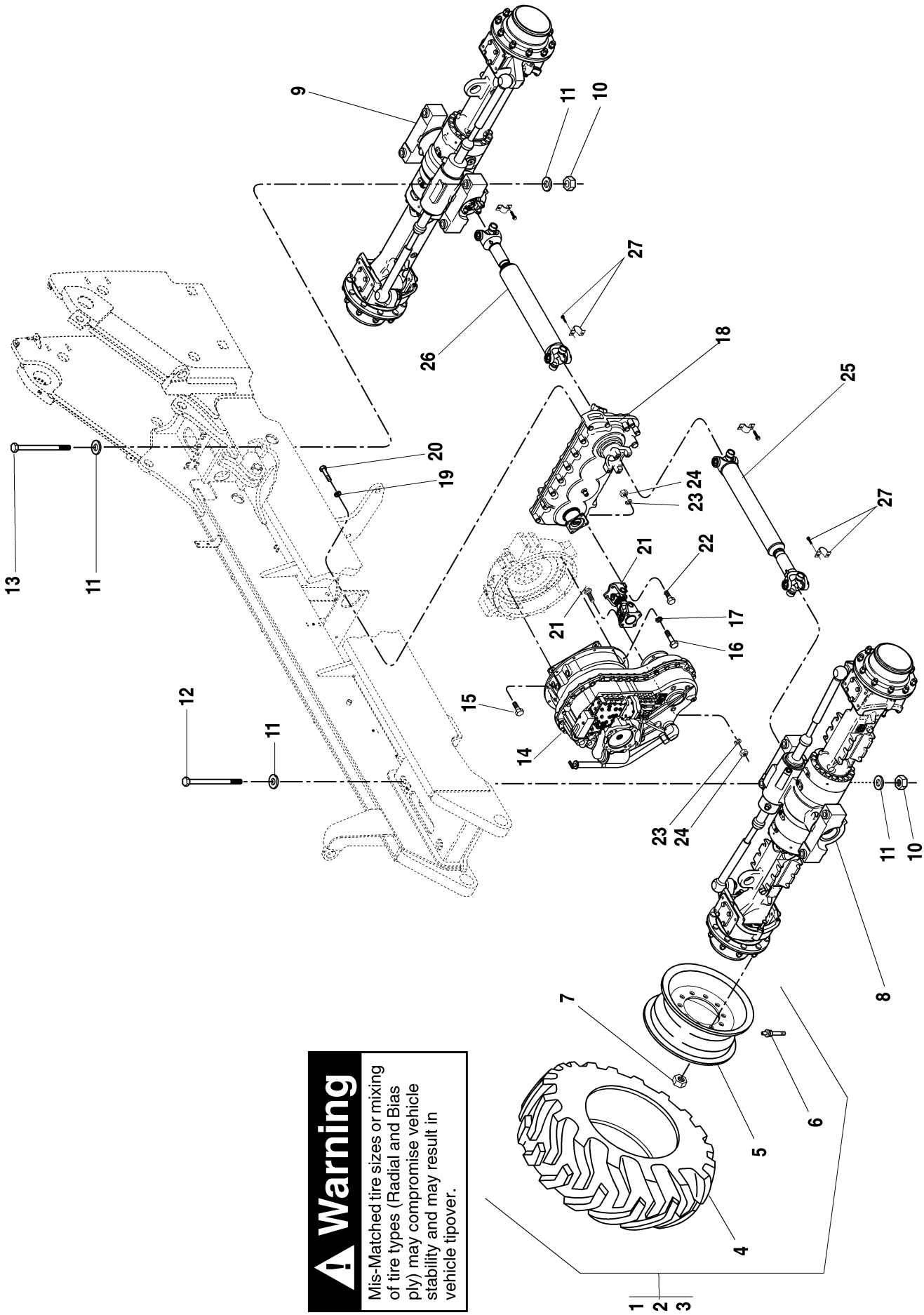
Drive Shaft - Transmission to Transfer Box	1.41.1
Drive Shaft - Transfer Box to Front Axle	1.42.1
Drive Shaft - Transfer Box to Rear Axle	1.43.1



Warning
 Mis-Matched tire sizes or mixing of tire types (Radial and Bias ply) may compromise vehicle stability and may result in vehicle tipover.

ITEM	PART NO.	QTY.	DESCRIPTION	ITEM	PART NO.	QTY.	DESCRIPTION
1	7138338	2	Tire and Wheel Assembly, Right Side , 13.00-24, 12 Ply, Solid Filled (4270 Only)	23	8307007	8	Washer, Lock 1/2"
	7138339	2	Tire and Wheel Assembly, Left Side , 13.00-24, 12 Ply, Solid Filled (4270 Only)	24	8310464	8	Nut, Hex 1/2-20 NF
2	7138831	2	Tire and Wheel Assembly, Right Side , 13.00-24, 16 Ply, Grader G-2 (Includes Items 4 thru 6) (4270 Only)	25	7135912	1	Drive Shaft, Transfer Box to Front Axle (See Page 1.42.1 for Breakdown)
	7138832	2	Tire and Wheel Assembly, Left Side , 13.00-24, 16 Ply, Grader G-2 (Includes Items 4 thru 6) (4270 Only)	26	7135922	1	Drive Shaft, Transfer Box to Rear Axle (See Page 1.43.1 for Breakdown)
3	7139573	4	Tire and Wheel Assembly, Rock, 15.5-25, L3, 12 Ply	27	8880218	8	Strap Kit
4	8780046	1	Tire, 13.00-24 TG 16 Ply, Grader (For Item 2)	<p>NOTES:</p> <p>● For Wheel Stud See Page 1.7.1 or Page 1.15.1</p>			
	8780050	1	Tire, 15.5-25, 12 Ply, SRG, Rock (For Item 3)				
5	7138656	1	Rim, 9024GR (For Item 2)				
6	8786514	1	Stem, Valve				
7	1319478	10	● Nut, Sph. Collar (Lug Nut)				
8	8040269	1	Axle, Front (4270 only) (See Pages 1.2.1-1.9.1 for Breakdown)				
9	8040270	1	Axle, Rear (4270 only) (See Pages 1.9.1-1.16.1 for Breakdown)				
10	8310481	8	Nut, Hex Lock Elastic 1-8				
11	8310061	16	Washer, Flat 1"				
12	8310480	4	HHCS, 1-8 x 14" Gr. 8				
13	8310479	4	HHCS, 1-8 x 11" Gr. 8				
14	8841042	1	Transmission - 4 Speed (See Pages 1.25.1-1.37.1 for Breakdown)				
15	8303798	4	HHCS, M10-1,5 x 25mm				
16	8303769	12	HHCS, M10-1,5 x 45mm				
17	8307023	12	Washer, Lock M10				
18	8841041	1	Transfer Box (See Page 1.40.1 for Breakdown)				
19	8307049	4	Washer, Lock M16				
20	8310496	4	HHSC M16-2 x 35mm				
21	7138760	1	Drive Shaft, Transmission to Transfer Box (See Page 1.41.1 for Breakdown)				
22	8310084	8	HHCS, 1/2-20 NF x 2.00"				

S/N 14409-



Warning
 Mis-Matched tire sizes or mixing of tire types (Radial and Bias ply) may compromise vehicle stability and may result in vehicle tipover.

ITEM PART NO. QTY. DESCRIPTION

1	7138336	2	Tire and Wheel Assembly, Right Side , 15.5-25, 12 Ply, Solid Filled (4290 Only)
	7138337	2	Tire and Wheel Assembly, Left Side , 15.5-25, 12 Ply, Solid Filled (4290 Only)
2	7139332	2	Tire and Wheel Assembly, Right Side , 15.5-25, 12 Ply, (Includes Items 4 thru 6) (4290 Only)
	7139333	2	Tire and Wheel Assembly, Left Side , 15.5-25, 12 Ply, (Includes Items 4 thru 6) (4290 Only)
3	7139573	4	Tire and Wheel Assembly, Rock, 15.5-25, L3, 12 Ply
4	8780036	1	Tire, 15.5-25, 12 Ply Loader Dozer (For Item 2)
	8780050	1	Tire, 15.5-25, 12 Ply, SRG, Rock (For Item 3)
5	7138657	1	Rim, 1325 LR (For Item 2 and 3)
6	8786514	1	Stem, Valve
7	1319478	10	● Nut, Sph. Collar (Lug Nut)
8	8040261	1	Axle Front (4290 only) (See Pages 1.2.1-1.9.1 for Breakdown)
9	8040262	1	Axle, Rear (4290 only) (See Pages 1.9.1-1.16.1 for Breakdown)
10	8310481	8	Nut, Hex Lock Elastic 1-8
11	8310061	16	Washer, Flat 1"
12	8310480	4	HHCS, 1-8 x 14" Gr. 8
13	8310479	4	HHCS, 1-8 x 11" Gr. 8
14	8841042	1	Transmission - 4 Speed (See Pages 1.25.1-1.37.1 for Breakdown)
15	8303798	4	HHCS, M10-1.5 x 25mm
16	8303769	12	HHCS, M10-1.5 x 45mm
17	8307023	12	Washer, Lock M10
18	8841041	1	Transfer Box (See Page 1.40.1 for Breakdown)
19	8307049	4	Washer, Lock M16
20	8310496	4	HHSC M16-2 x 35mm
21	7138760	1	Drive Shaft, Transmission to Transfer Box (See Page 1.41.1 for Breakdown)
22	8310084	8	HHCS, 1/2-20 NF x 2.00"
23	8307007	8	Washer, Lock 1/2"
24	8310464	8	Nut, Hex 1/2-20 NF

Origin
05/01

25	7135912	1	Drive Shaft, Transfer Box to Front Axle (See Page 1.42.1 for Breakdown)
26	7135922	1	Drive Shaft, Transfer Box to Rear Axle (See Page 1.43.1 for Breakdown)
27	8880218	8	Strap Kit

NOTES:

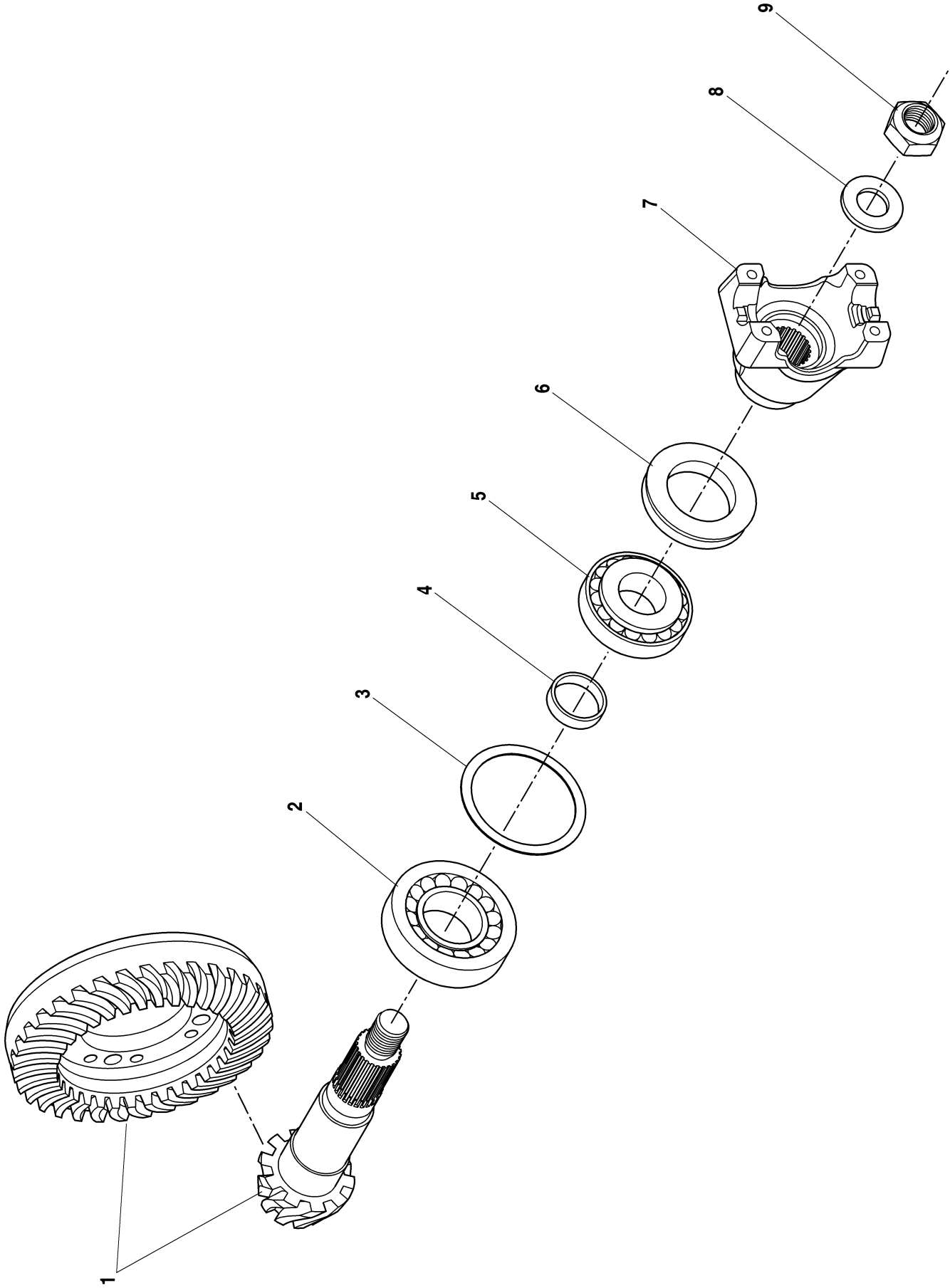
- For Wheel Stud See Page 1.7.1 or Page 1.15.1

S/N 14409-

DRIVE TRAIN ASSEMBLY 4290

1.1.2

4270H
4270L
4290H
4290L



ITEM PART NO. QTY. DESCRIPTION

1	8035870	1	Gear Set Bevel	8035898	1	Ring, Optional S=11,90	
2	8035880	1	Bearing, Roller	8035899	1	Ring, Optional S=11,93	
3	1321187	A/R	Shim, Optional S=1,5	8035900	1	Ring, Optional S=11,96	
	8035871	A/R	Shim, Optional S=0,9	8035901	1	Ring, Optional S=11,99	
	8035872	A/R	Shim, Optional S=0,95	8035902	1	Ring, Optional S=12,02	
	8035873	A/R	Shim, Optional S=1,0	1321199	1	Ring, Optional S=12,05	
	1321186	A/R	Shim, Optional S=1,05	8035903	1	Ring, Optional S=12,08	
	8035874	A/R	Shim, Optional S=1,1	8035904	1	Ring, Optional S=12,11	
	8035875	A/R	Shim, Optional S=1,15	8035905	1	Ring, Optional S=12,14	
	1321185	A/R	Shim, Optional S=1,2	8035906	1	Ring, Optional S=12,17	
	8035876	A/R	Shim, Optional S=1,25	1321200	1	Ring, Optional S=12,20	
	8035877	A/R	Shim, Optional S=1,3	8035907	1	Ring, Optional S=12,23	
	1321189	A/R	Shim, Optional S=0,7	8035908	1	Ring, Optional S=12,26	
	8035878	A/R	Shim, Optional S=1,75	8035909	1	Ring, Optional S=12,29	
	8035879	A/R	Shim, Optional S=0,8	8035910	1	Ring, Optional S=12,32	
	1321190	A/R	Shim, Optional S=0,85	8035911	1	Ring, Optional S=12,35	
4	8035881	1	Ring, Optional S=11,30	1321201	1	Ring, Optional S=12,38	
	8035882	1	Ring, Optional S=11,33	8035912	1	Ring, Optional S=11,27	
	8035883	1	Ring, Optional S=11,36	1321204	1	Ring, Optional S=11,24	
	8035884	1	Ring, Optional S=11,39	8035913	1	Ring, Optional S=11,21	
	8035885	1	Ring, Optional S=11,42	8035914	1	Ring, Optional S=11,18	
	8035886	1	Ring, Optional S=11,45	8035915	1	Ring, Optional S=11,15	
	1321196	1	Ring, Optional S=11,48	8035916	1	Ring, Optional S=11,12	
	8035887	1	Ring, Optional S=11,51	1321203	1	Ring, Optional S=11,09	
	8035888	1	Ring, Optional S=11,54	8035917	1	Ring, Optional S=11,06	
	8035889	1	Ring, Optional S=11,57	8035918	1	Ring, Optional S=11,03	
	8035890	1	Ring, Optional S=11,60	8035919	1	Ring, Optional S=11,00	
	8035891	1	Ring, Optional S=11,63	8035920	1	Ring, Optional S=10,97	
	1321197	1	Ring, Optional S=11,66	1321202	1	Ring, Optional S=10,94	
	8035892	1	Ring, Optional S=11,69	5	1321212	1	Bearing, Roller
	8035893	1	Ring, Optional S=11,72	6	1321210	1	Ring, Combination
	8035894	1	Ring, Optional S=11,75	7	1321248	1	Yoke, End
	8035895	1	Ring, Optional S=11,78	8	1321194	1	Washer
	8035896	1	Ring, Optional S=11,81	9	8035921	1	Nut, Hex
	1321198	1	Ring, Optional S=11,84				
	8035897	1	Ring, Optional S=11,87				

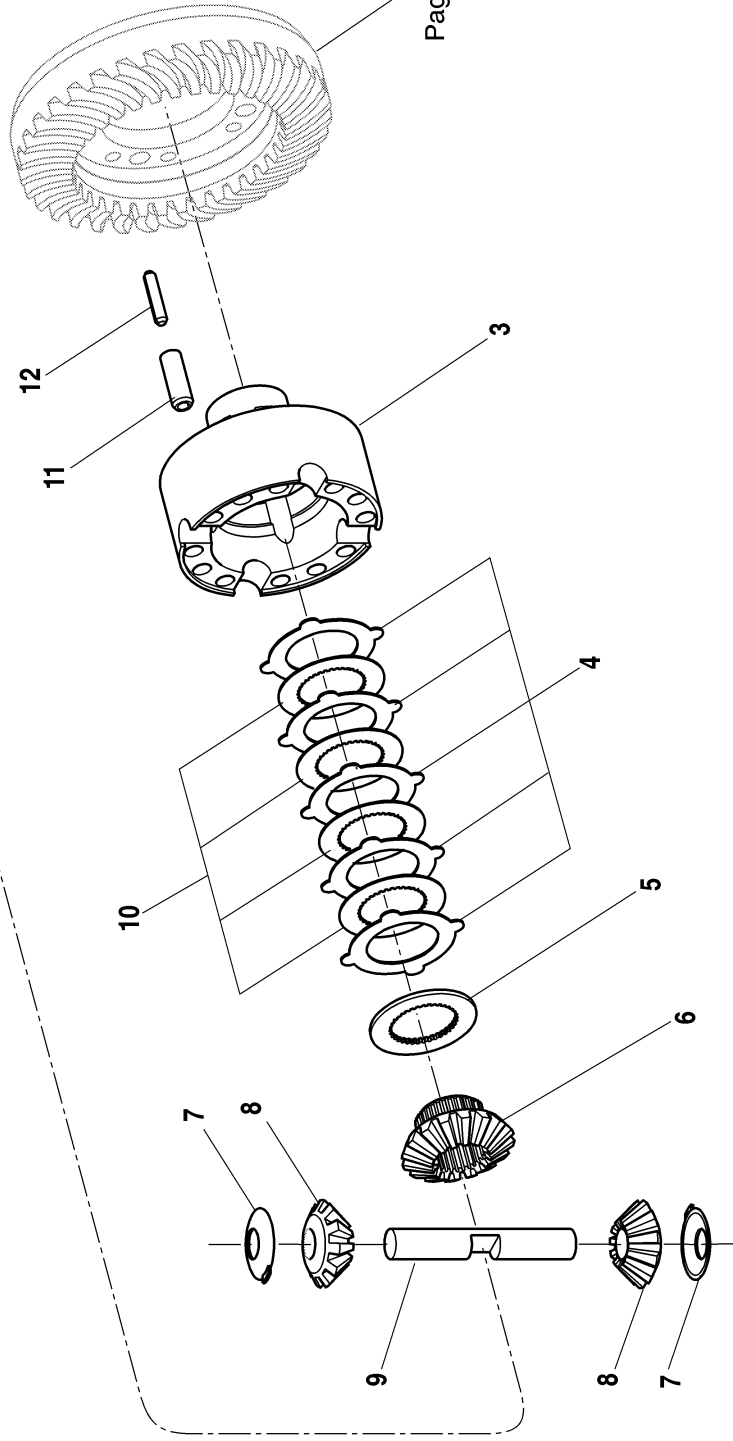
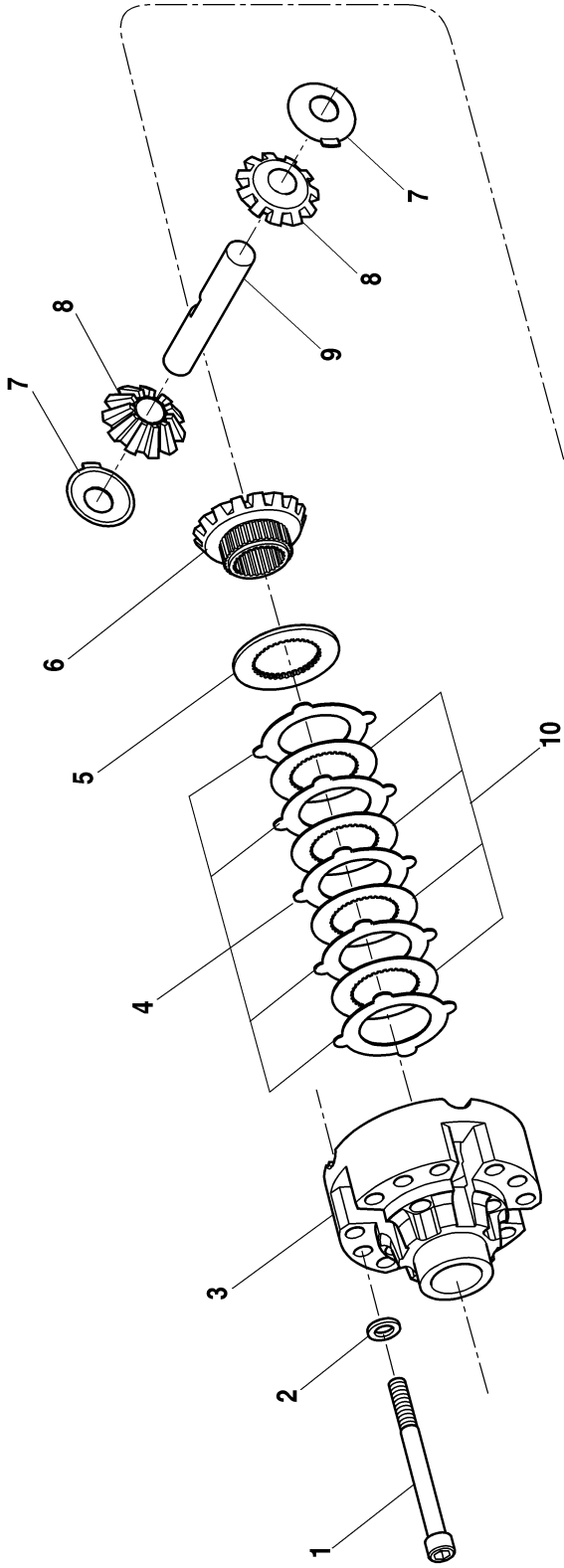
S/N 14409-

FRONT AXLE - INPUT

1.2.1

Origin
05/01

4270H
4270L
4290H
4290L



Page 1.2.1

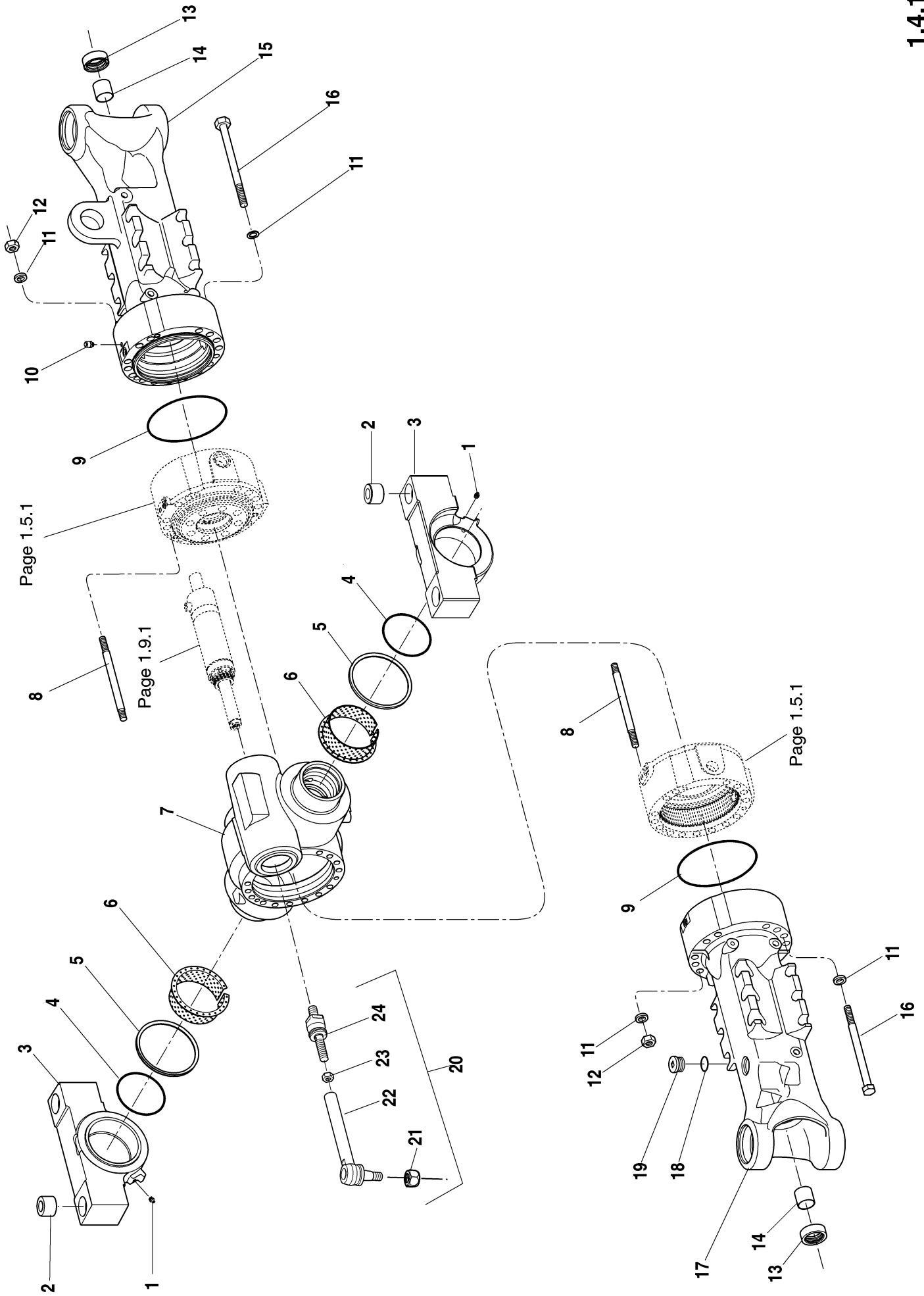
ITEM PART NO. QTY. DESCRIPTION

1	8035923	12	Screw, Cap
2	1321184	12	Washer
3	1321215	1	Case, Differential
4	1321219	10	Disc, O. Clutch - Optional A=1,2
	1321220	10	Disc, O. Clutch - Optional A=1,3
	1321221	10	Disc, O. Clutch - Optional A=1,4
5	1321217	2	Disc, Pressure
6	1321222	2	Gear, Axle Bevel
7	1319415	4	Washer, Thrust
8	8035922	4	Gear, Differential Bevel
9	1321225	2	Axle, Differential
10	1321218	8	Disc, I. Clutch
11	1321153	4	Pin, Slotted
12	1321154	4	Pin, Slotted

Origin
05/01

4270H
4270L
4290H
4290L

S/N 14409-



ITEM PART NO. QTY. DESCRIPTION

1	1319423	2	Fitting, Grease
2	1319441	4	Bushing, Centering
3	8035933	2	Bracket
4	1319439	2	O-Ring
5	1319440	2	V-Ring
6	1319438	2	Bushing, Flange
7	1321252	1	Housing, Axle Drive
8	8035928	8	Stud
9	1319425	2	O-Ring
10	1319436	1	Valve, Vent
11	1319427	30	Washer
12	1319429	8	Nut, Hex
13	1319434	2	Seal, Shaft
14	1319433	2	Bushing
15	8035924	1	Axle Casing, Right Front
16	8035927	22	Screw, Hex
17	8035925	1	Axle Casing, Left Front
18	1319432	1	O-Ring
19	1319506	1	Plug, Screw
20	1321148	2	Coupling Assembly, Axial Joint
			(Includes Items 21 thru 24)
21	8035931	1	Nut, Locking
22	8035929	1	Coupling, Ball Joint w/Pipe
23	8035932	1	Nut, Hex
24	8035930	1	Coupling, Axial Joint

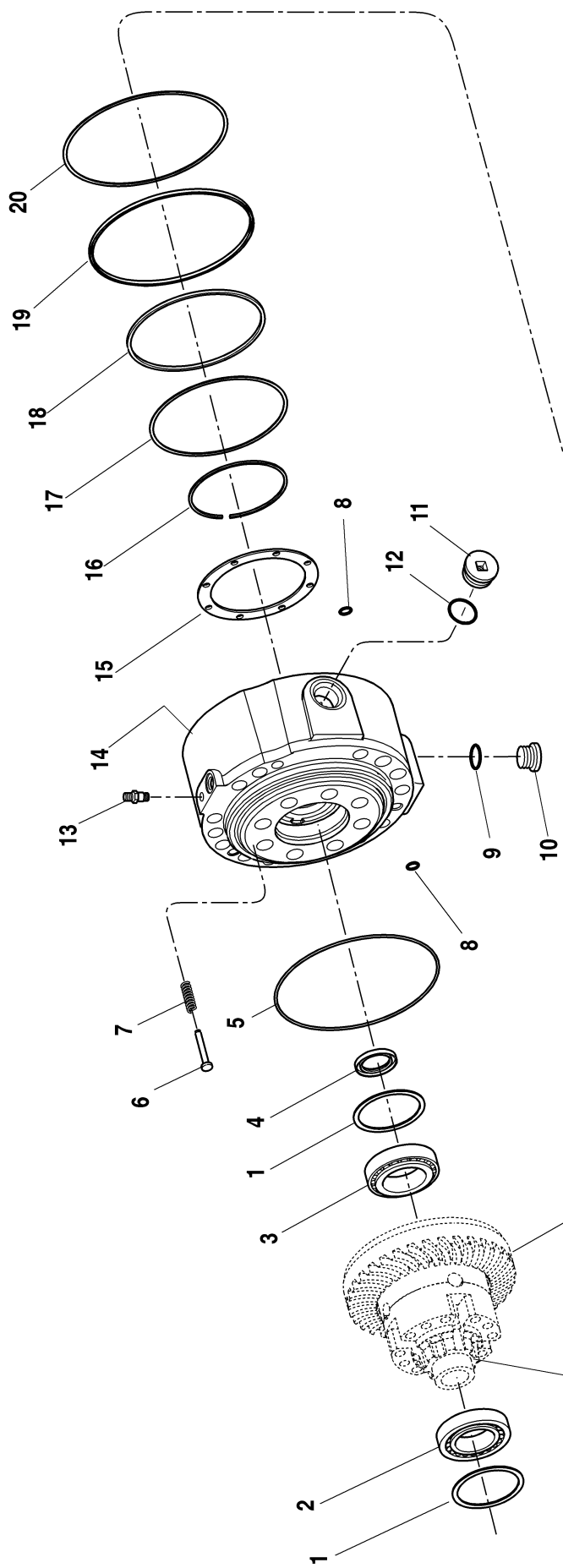
Origin
05/01

4270H
4270L
4290H
4290L

S/N 14409-

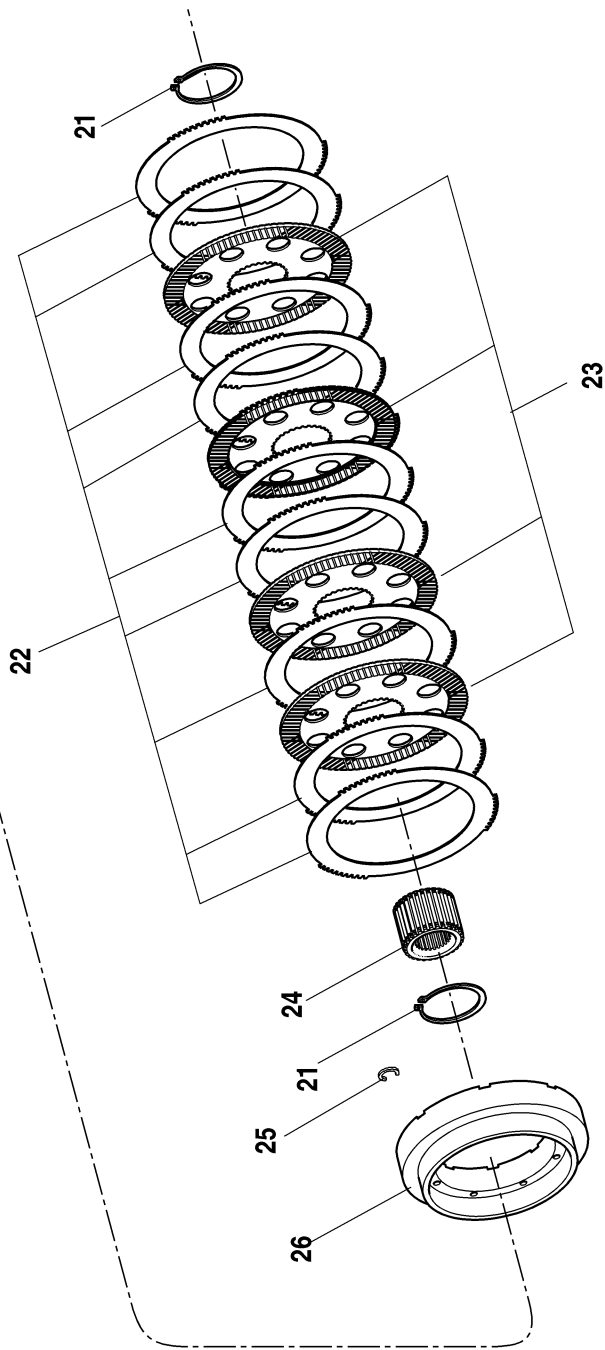
FRONT AXLE - AXLE CASING

1.4.1



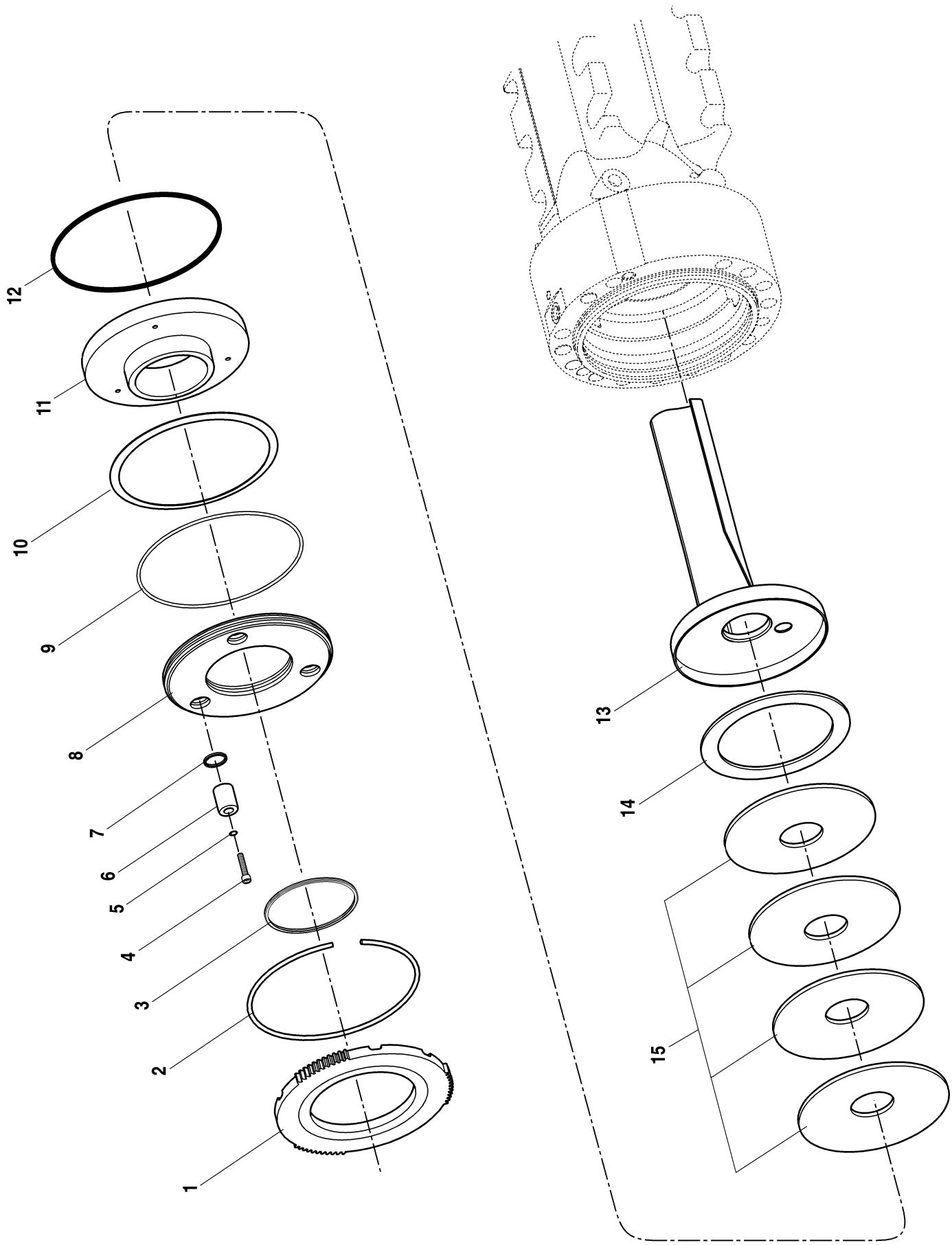
Page 1.2.1

Page 1.3.1



ITEM	PART NO.	QTY.	DESCRIPTION	ITEM	PART NO.	QTY.	DESCRIPTION
1	1319531	A/R	Shim, Optional A=0,1	2	1319511	2	Shim, Optional A=1,95
	1319530	A/R	Shim, Optional A=0,2		8035944	2	Bearing, Roller
	1319529	A/R	Shim, Optional A=0,3	3	1321165	2	Bearing, Roller
	8035951	A/R	Shim, Optional A=0,4	4	1321161	2	Seal, Shaft
	1319543	A/R	Shim, Optional A=0,45	5	1319425	2	O-Ring
	1319527	A/R	Shim, Optional A=0,5	6	1319496	16	Pin
	1321158	A/R	Shim, Optional A=0,55	7	1319497	16	Spring, Compression
	1319526	A/R	Shim, Optional A=0,6	8	1319491	12	O-Ring
	1319532	A/R	Shim, Optional A=0,65	9	1321156	2	O-Ring
	1319533	A/R	Shim, Optional A=0,7	10	1319431	2	Plug, Screw
	1319534	A/R	Shim, Optional A=0,75	11	1319506	2	Plug, Screw
	1319525	A/R	Shim, Optional A=0,8	12	1319432	2	O-Ring
	1319535	A/R	Shim, Optional A=0,85	13	1319505	2	Valve, Vent
	1319536	A/R	Shim, Optional A=0,9	14	8035936	1	Housing, Brake - Right Side
	1319537	A/R	Shim, Optional A=0,95		8035939	1	Housing, Brake - Left Side
	1319524	A/R	Shim, Optional A=1,0	15	1319498	2	Washer
	1319525	A/R	Shim, Optional A=1,05	16	1319504	2	Ring, Snap
	1319538	A/R	Shim, Optional A=1,10	17	1321151	2	Ring, Support
	1319539	A/R	Shim, Optional A=1,15	18	8035941	2	U-Ring
	1319523	A/R	Shim, Optional A=1,20	19	8035949	2	U-Ring
	1319540	A/R	Shim, Optional A=1,25	20	8035943	2	Ring, Support
	1319541	A/R	Shim, Optional A=1,30	21	10731949	4	Ring, Retaining
	1319542	A/R	Shim, Optional A=1,35	22	1319501	18	Disc, O. Clutch - Optional S=2,5 (4270)
	1319522	A/R	Shim, Optional A=1,40		1319502	18	Disc, O. Clutch - Optional S=3,0 (4270)
	1319521	A/R	Shim, Optional A=1,45		1319500	18	Disc, O. Clutch - Optional S=2,0 (4270)
	1319520	A/R	Shim, Optional A=1,50		1319501	16	Disc, O. Clutch - Optional S=2,5 (4290)
	1319519	A/R	Shim, Optional A=1,55		1319502	16	Disc, O. Clutch - Optional S=3,0 (4290)
	1319518	A/R	Shim, Optional A=1,60		1319500	16	Disc, O. Clutch - Optional S=2,0 (4290)
	1319517	A/R	Shim, Optional A=1,65	23	1321150	8	Disc, I. Clutch (4270)
	1319510	A/R	Shim, Optional A=2,0		1321150	10	Disc, I. Clutch (4290)
	1321159	A/R	Shim, Optional A=1,47	24	1321174	2	Carrier, Disc
	1319516	A/R	Shim, Optional A=1,70	25	1319499	16	Ring, Crescent
	1319515	A/R	Shim, Optional A=1,75	26	8035940	2	Piston
	1319514	A/R	Shim, Optional A=1,80	NOTES:			
	1319513	A/R	Shim, Optional A=1,85	Quantities Listed are Per Axle.			
	1319512	A/R	Shim, Optional A=1,90				

S/N 14409-



ITEM PART NO. QTY. DESCRIPTION

1	8035952	2	Shim, End
2	1321206	2	Ring, Snap
3	1321179	2	Ring, Four-Lip
4	8035954	6	Screw, Cap
5	8035955	6	O-Ring
6	1321244	6	Pin, Pressure
7	1321181	6	Ring, Four-Lip
8	8036018	2	Washer, Sealing
9	1321182	2	O-Ring
10	1321208	2	Spring, Cup
11	1321240	2	Piston
12	1321180	2	Ring, Four-Lip
13	1321172	2	Carrier, Pin
14	8035958	2	Washer, Spacing
15	1321207	8	Spring, Cup

NOTES:
Quantities Listed are Per Axle.

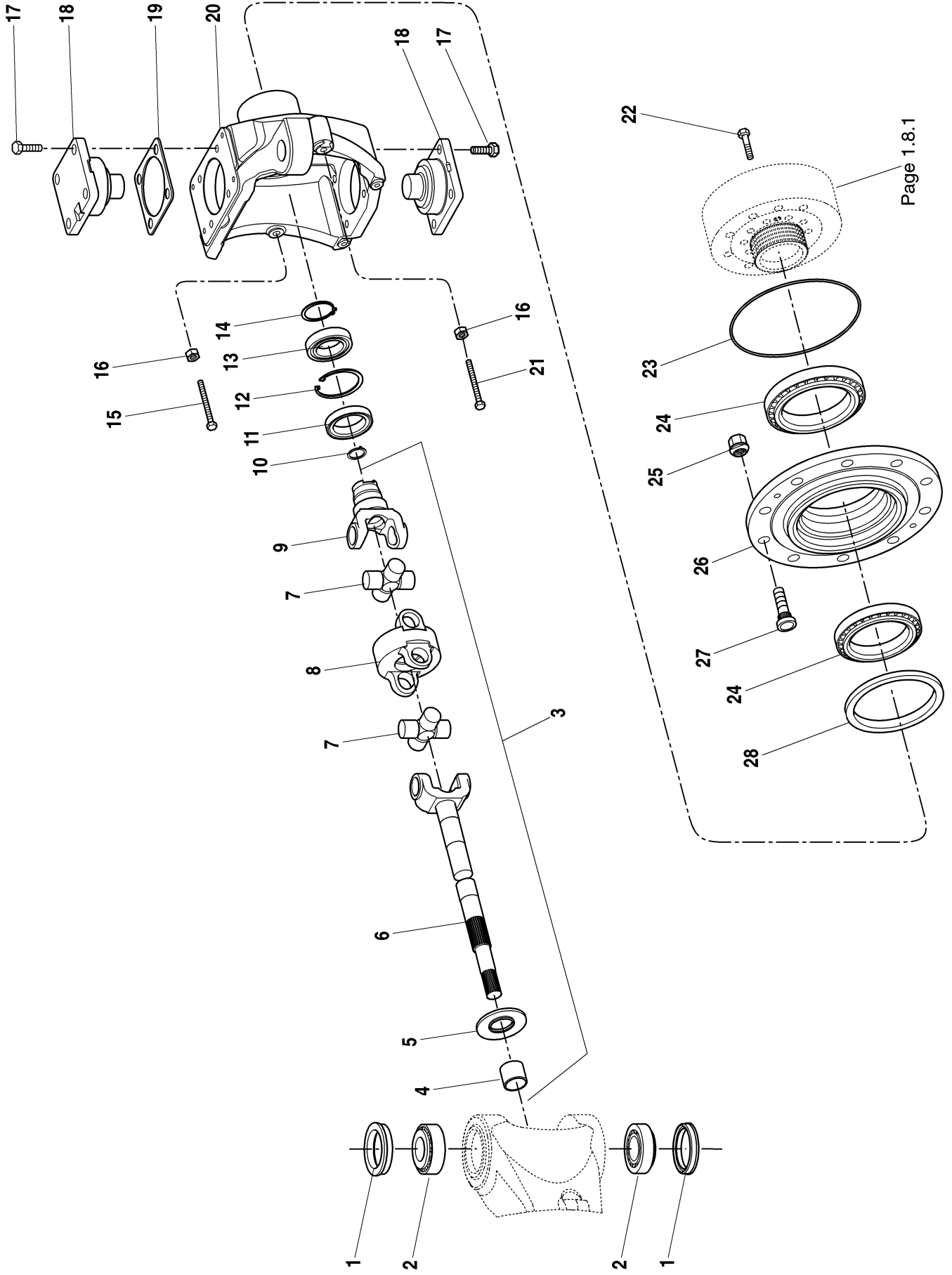
Origin
05/01

S/N 14409-

4270H
4270L
4290H
4290L

FRONT AXLE - BRAKE

1.6.1



Page 1.8.1

ITEM PART NO. QTY. DESCRIPTION

1	1319447	4	Seal, Shaft
2	1319445	4	Bearing, Roller
3	1321175	2	Shaft, D. Universal Coupling (Includes Items 4 thru 9)
4	8035973	1	Bushing
5	8035974	1	Sheet, Screen
6	8035972	1	Fork, Joint Coupling
7	8035970	2	Cross, Joint
8	8035969	1	Central Piece
9	8035971	1	Fork, Joint
10	1321228	2	Ring, Retaining
11	1321164	2	Seal, Shaft
12	1319210	2	Ring, Retaining
13	1321157	2	Bearing, Ball
14	1319564	2	Ring, Retaining
15	1319475	2	Screw, Stop
16	1319477	4	Nut, Hex
17	1319464	16	Screw, Hex
18	1319462	4	Pin, Bearing
19	1321249	A/R	Shim, Optional A=0,2
	8035959	A/R	Shim, Optional A=0,3
	8035960	A/R	Shim, Optional A=0,4
	8035961	A/R	Shim, Optional A=0,5
	8035962	A/R	Shim, Optional A=0,6
	1321250	A/R	Shim, Optional A=0,7
	8035963	A/R	Shim, Optional A=0,8
	8035964	A/R	Shim, Optional A=1,0
	8035965	A/R	Shim, Optional A=1,2
	8035966	A/R	Shim, Optional A=1,4
	1321251	A/R	Shim, Optional A=1,6
	8035967	A/R	Shim, Optional A=1,8
	8035968	A/R	Shim, Optional A=2,0
20	1321256	1	Housing, Joint - Right Side
	1321257	1	Housing, Joint - Left Side
21	1319476	2	Screw, Stop
22	8035975	20	Screw, Hex

NOTES:

Quantities Listed are Per Axle.

Origin
05/01

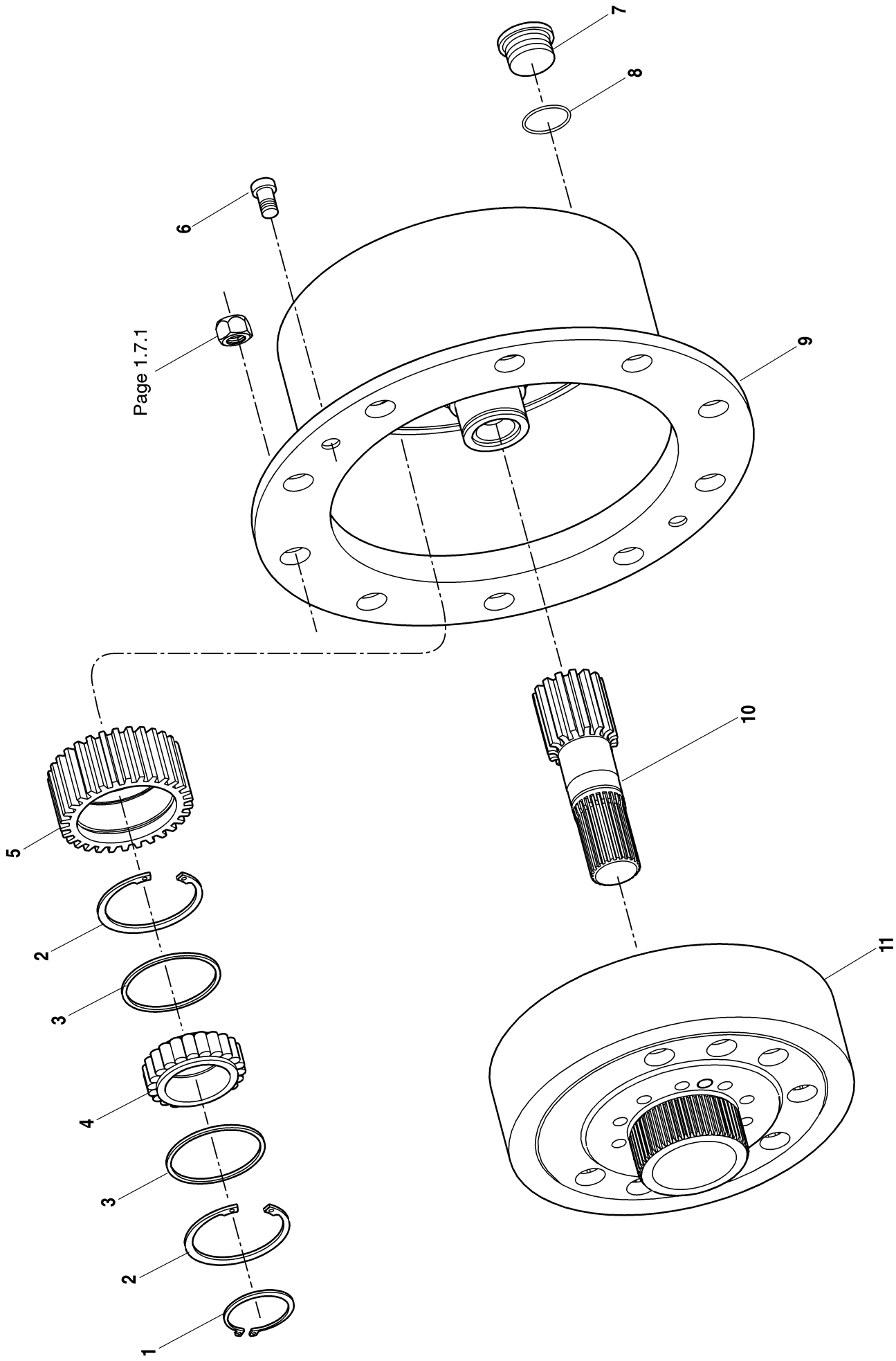
23	1321155	2	O-Ring
24	1319472	4	Bearing, Roller
25	1319478	20	Nut, Sph. Collar (Lug Nut)
26	1321254	2	Hub
27	1101056	20	Bolt, Wheel (Stud)
28	1319471	2	Seal, Shaft

S/N 14409-

4270H
4270L
4290H
4290L

FRONT AXLE - JOINT HOUSING

1.7.1



Page 1.7.1

ITEM PART NO. QTY. DESCRIPTION

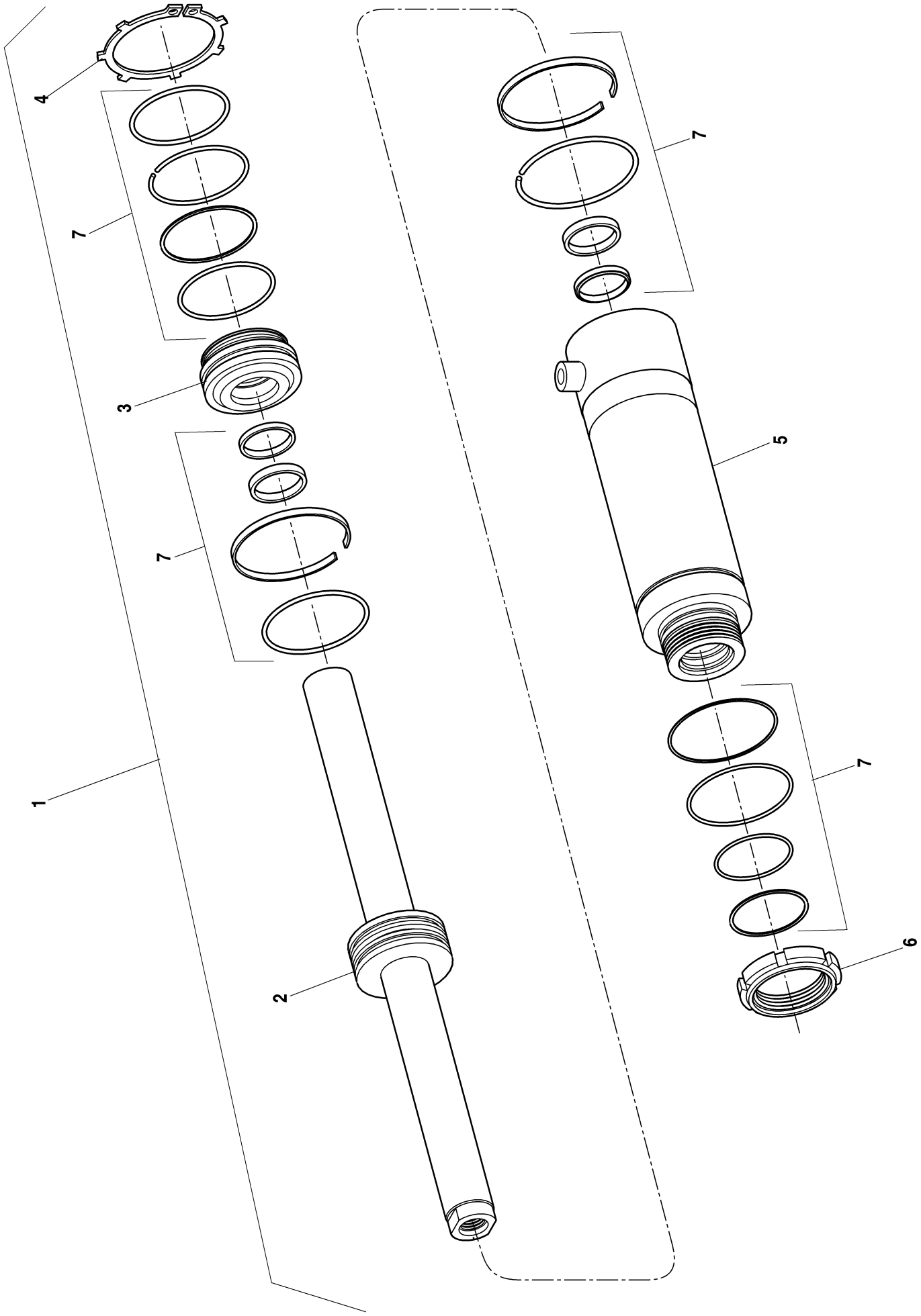
1	1321177	6	Ring, Retaining
2	1321205	12	Ring, Snap
3	1321191	12	Washer
4	1321214	6	Bearing, Roller
5	1321233	6	Gear, Planet
6	8035977	4	Screw, Cap
7	1319506	2	Plug, Screw
8	1319432	2	O-Ring
9	1321232	2	Carrier, Planet
10	1321255	2	Shaft, Sun Gear
11	1321258	2	Gear, Ring

NOTES:
Quantities Listed are Per Axle.

Origin
05/01

4270H
4270L
4290H
4290L

S/N 14409-



ITEM PART NO. QTY. DESCRIPTION ITEM PART NO. QTY. DESCRIPTION

1	1321149		Steer Cylinder Assembly (Includes Items 2 thru 7)		
2	1321061	1	Rod, Piston		
3	8035980	1	Guide Piece		
4	8035978	1	L-Ring		
5	8035979	1	Tube, Cylinder		
6	1321062	1	Nut, Slotted		
7	8035981	1	Kit, Seal		

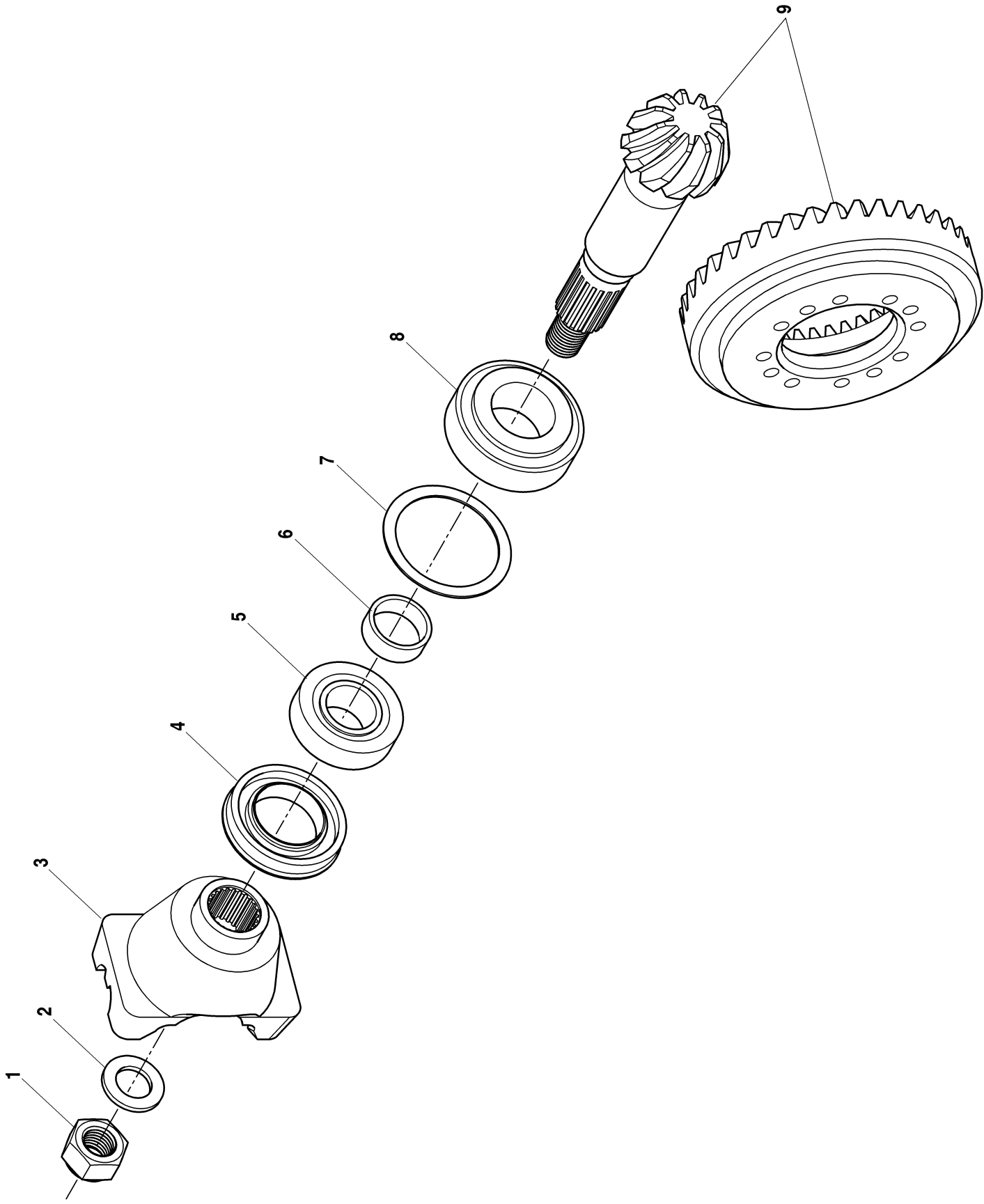
Origin
05/01

S/N 14409-

4270H
4270L
4290H
4290L

STEERING CYLINDER

1.9.1

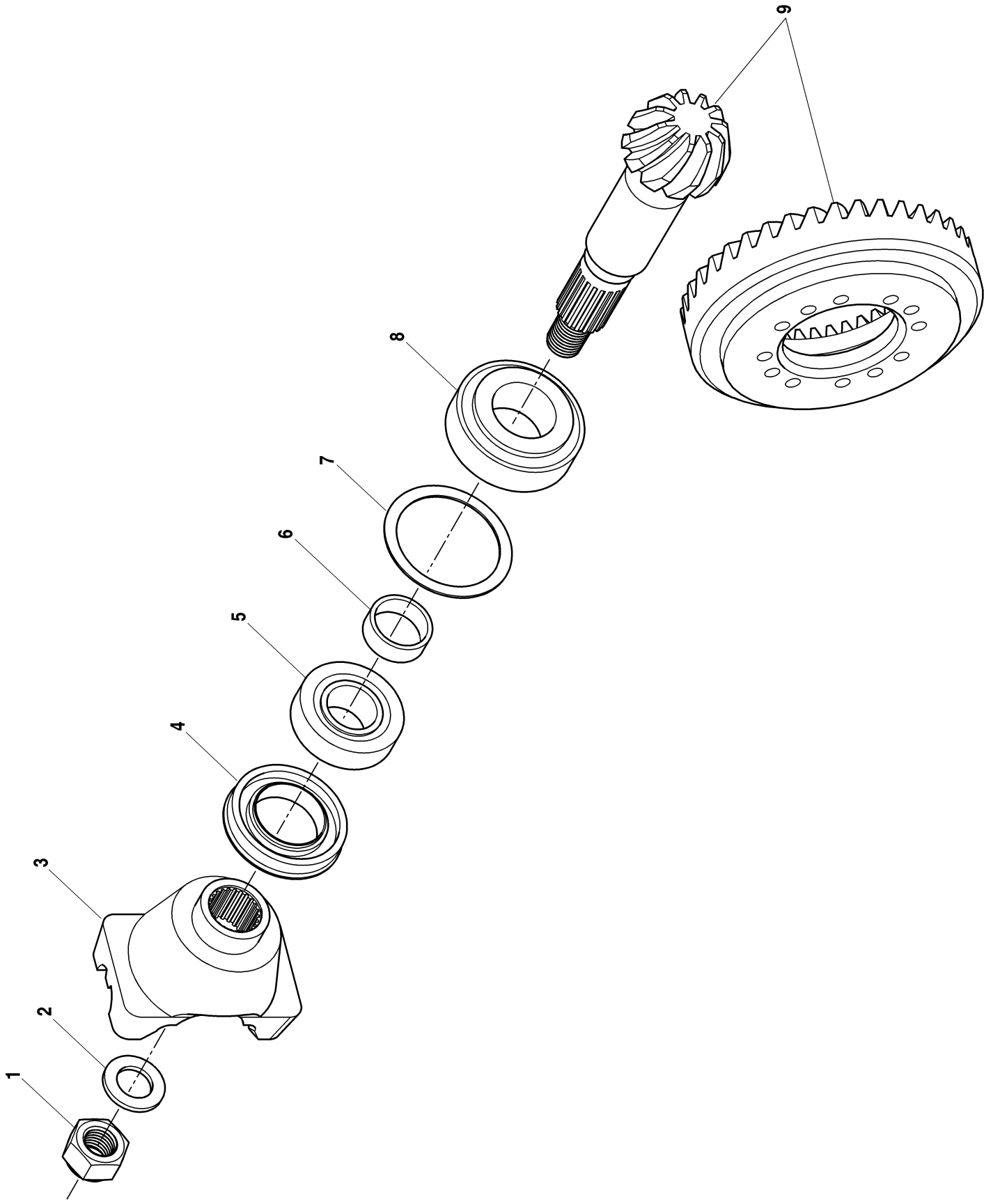


ITEM PART NO. QTY. DESCRIPTION

1	8035983	1	Nut, Hex	1319385	1	Ring, Optional S=15,43
2	1319406	1	Washer	1319386	1	Ring, Optional S=15,36
3	1321237	1	Yoke, End	1319387	1	Ring, Optional S=15,33
4	1321211	1	Ring, Combination	1319388	1	Ring, Optional S=15,26
5	1321212	1	Bearing, Roller	1319389	1	Ring, Optional S=15,38
6	1319354	1	Ring, Optional S=15,1	1319390	1	Ring, Optional S=15,48
	1319355	1	Ring, Optional S=15,2	1319391	1	Ring, Optional S=15,58
	1319356	1	Ring, Optional S=15,3	1319392	1	Ring, Optional S=15,68
	1319357	1	Ring, Optional S=15,4	1319393	1	Ring, Optional S=15,69
	1319358	1	Ring, Optional S=15,5	1319394	1	Ring, Optional S=15,72
	1319359	1	Ring, Optional S=15,6	1319395	1	Ring, Optional S=15,78
	1319360	1	Ring, Optional S=15,7	1319396	1	Ring, Optional S=15,81
	1319361	1	Ring, Optional S=15,8	1319397	1	Ring, Optional S=15,84
	1319362	1	Ring, Optional S=15,9	1319398	1	Ring, Optional S=15,88
	1319363	1	Ring, Optional S=16,0	1319399	1	Ring, Optional S=15,89
	1319364	1	Ring, Optional S=16,1	1319400	1	Ring, Optional S=15,91
	1319365	1	Ring, Optional S=16,2	1319401	1	Ring, Optional S=15,94
	1319366	1	Ring, Optional S=16,3	1319402	1	Ring, Optional S=15,97
	1319367	1	Ring, Optional S=16,4	7	1319333	A/R Washer, Optional S=1,0
	8035982	1	Ring, Optional S=16,26	1319334	A/R Washer, Optional S=1,05	
	1319369	1	Ring, Optional S=16,23	1319335	A/R Washer, Optional S=1,1	
	1319370	1	Ring, Optional S=16,16	1319336	A/R Washer, Optional S=1,15	
	1319371	1	Ring, Optional S=16,13	1319337	A/R Washer, Optional S=1,2	
	1319372	1	Ring, Optional S=16,06	1319338	A/R Washer, Optional S=1,25	
	1319373	1	Ring, Optional S=16,03	1319339	A/R Washer, Optional S=1,3	
	1319374	1	Ring, Optional S=15,96	1319340	A/R Washer, Optional S=1,35	
	1319375	1	Ring, Optional S=15,93	1319341	A/R Washer, Optional S=1,4	
	1319376	1	Ring, Optional S=15,86	1319342	A/R Washer, Optional S=1,45	
	1319377	1	Ring, Optional S=15,83	1319343	A/R Washer, Optional S=1,5	
	1319378	1	Ring, Optional S=15,76	1319344	A/R Washer, Optional S=1,55	
	1319379	1	Ring, Optional S=15,73	1319345	A/R Washer, Optional S=1,6	
	1319380	1	Ring, Optional S=15,66	1319346	A/R Washer, Optional S=0,9	
	1319381	1	Ring, Optional S=15,63	1319347	A/R Washer, Optional S=0,95	
	1319382	1	Ring, Optional S=15,56	1319348	A/R Washer, Optional S=0,65	
	1319383	1	Ring, Optional S=15,53	1319349	A/R Washer, Optional S=0,70	
	1319384	1	Ring, Optional S=15,46	1319350	A/R Washer, Optional S=0,75	

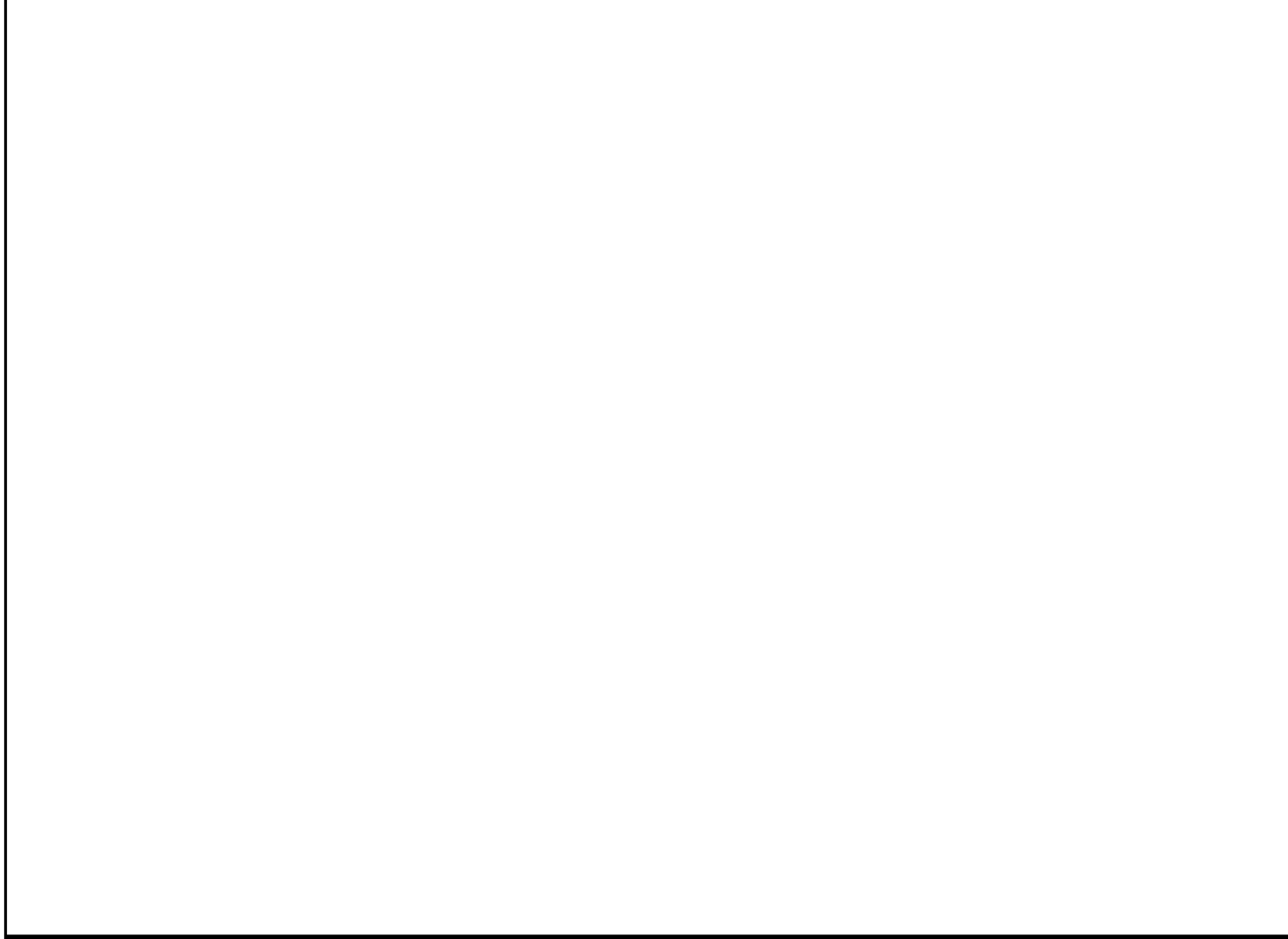
Origin
05/01

4270H
4270L
4290H
4290L



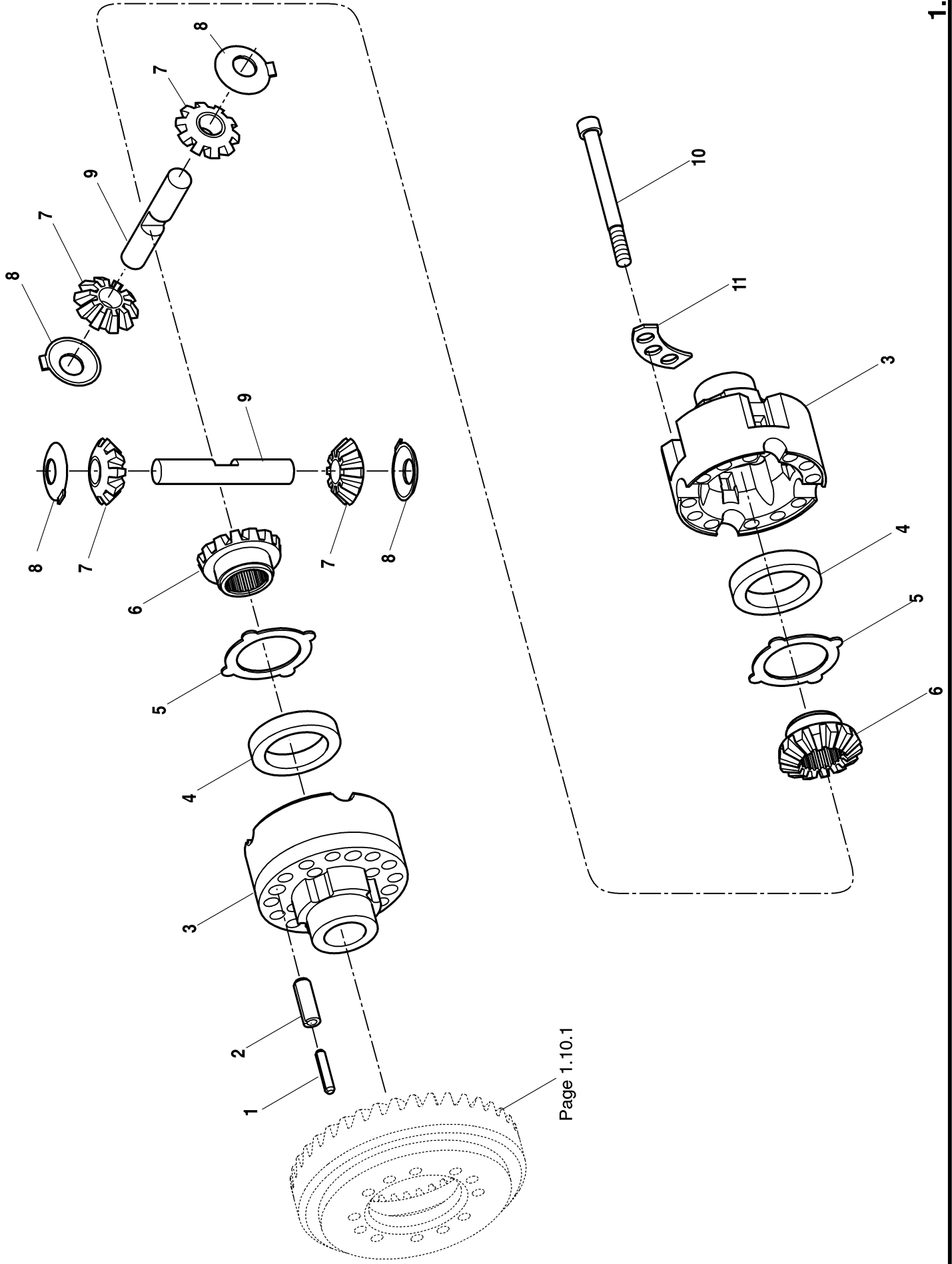
ITEM PART NO. QTY. DESCRIPTION

7	1319351	A/R	Washer, Optional S=0,85
	1319352	A/R	Washer, Optional S=0,80
8	1319353	1	Bearing, Roller
9	1321229	1	Gear Set, Bevel



S/N 14409-

4270H
4270L
4290H
4290L



Page 1.10.1

ITEM PART NO. QTY. DESCRIPTION

1	1321154	4	Pin, Slot.
2	1321153	4	Pin, Slot.
3	1321216	1	Case, Differential
4	1321260	2	Ring, Differential A=13,7
	8035984	2	Ring, Differential A=13,6
	1321259	2	Ring, Differential A=13,5
5	1319412	2	Washer, Thrust
6	1321223	2	Gear, Axle Bevel
7	1321262	4	Gear, Differential Bevel
8	1321188	4	Washer, Thrust
9	1321224	2	Axle, Differential
10	8035985	12	Screw, Cap
11	1321227	4	Segment

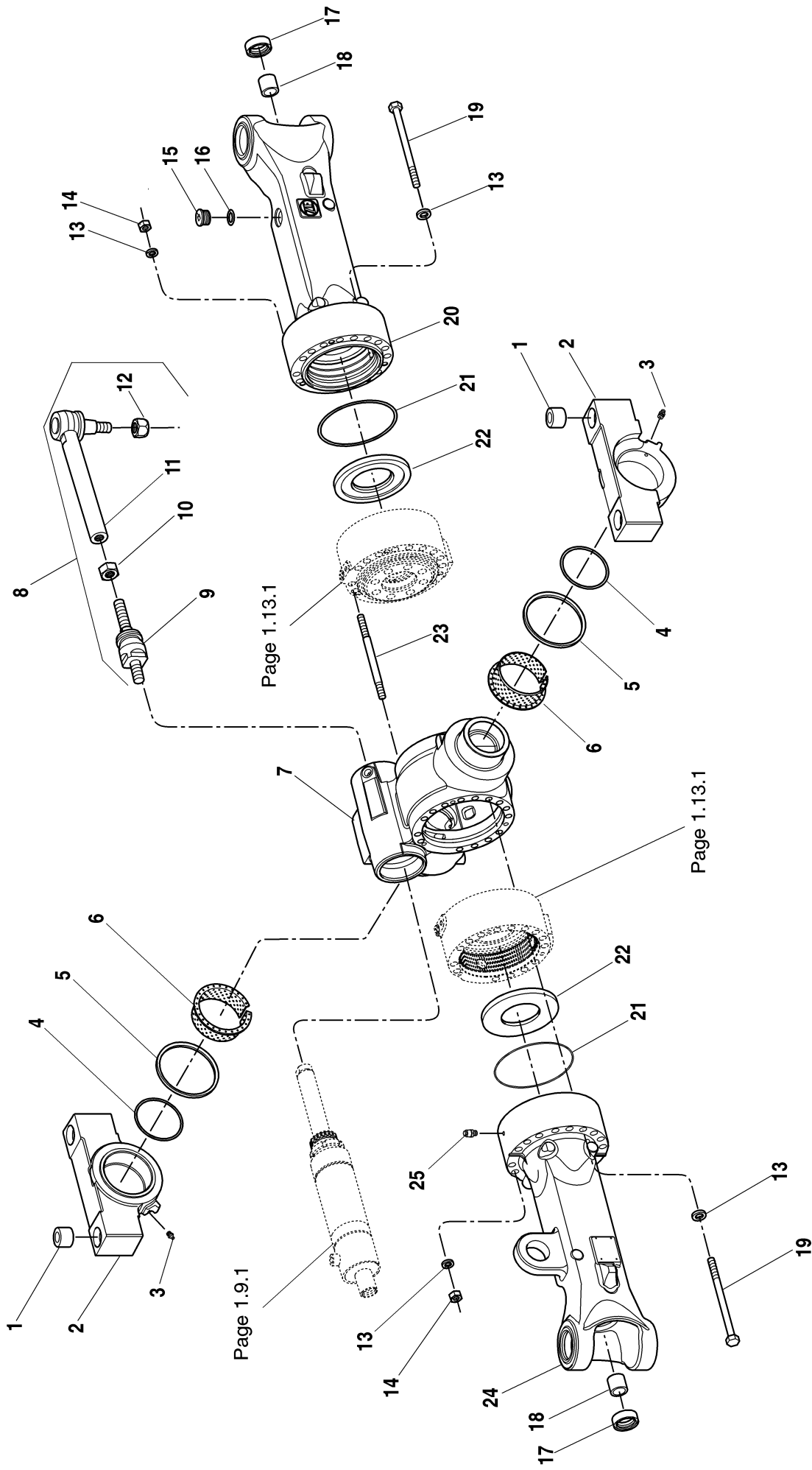
Origin
05/01

4270H
4270L
4290H
4290L

S/N 14409-

REAR AXLE - DIFFERENTIAL

1.11.1



ITEM PART NO. QTY. DESCRIPTION

1	1319441	4	Bushing, Centering
2	8035933	2	Bracket
3	1319423	2	Fitting, Grease
4	1319439	2	O-Ring
5	1319440	2	V-Ring
6	1319438		Bushing, Flange
7	1321236	1	Housing, Axle Drive
8	1321148	2	Coupling Assembly, Axial Joint (Includes Items 9 thru 12)
9	8035930	2	Coupling, Axial Joint
10	8035932	2	Nut, Hex
11	8035929	2	Coupling, Ball Joint w/Pipe
12	8035931	2	Nut, Locking
13	1319427	30	Washer
14	1319429	8	Nut, Hex
15	1319506	1	Plug, Screw
16	1319432	1	O-Ring
17	1319434	2	Seal, Shaft
18	1319433	2	Bushing
19	8035927	22	Screw, Hex
20	8035987	1	Casing, Axle (Left Rear)
21	1319425	2	O-Ring
22	8035990	2	Shim, End
23	8035989	8	Stud
24	8035986	1	Casing, Axle (Right Rear)
25	1319436	1	Valve, Vent

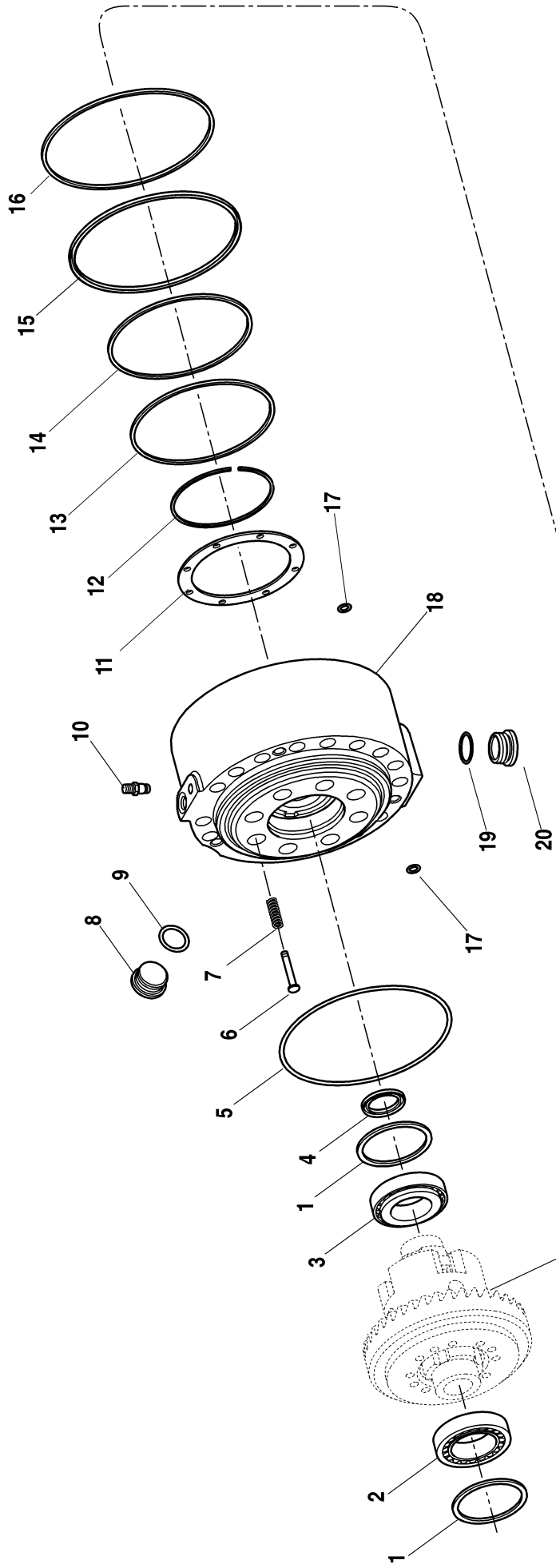
Origin
05/01

4270H
4270L
4290H
4290L

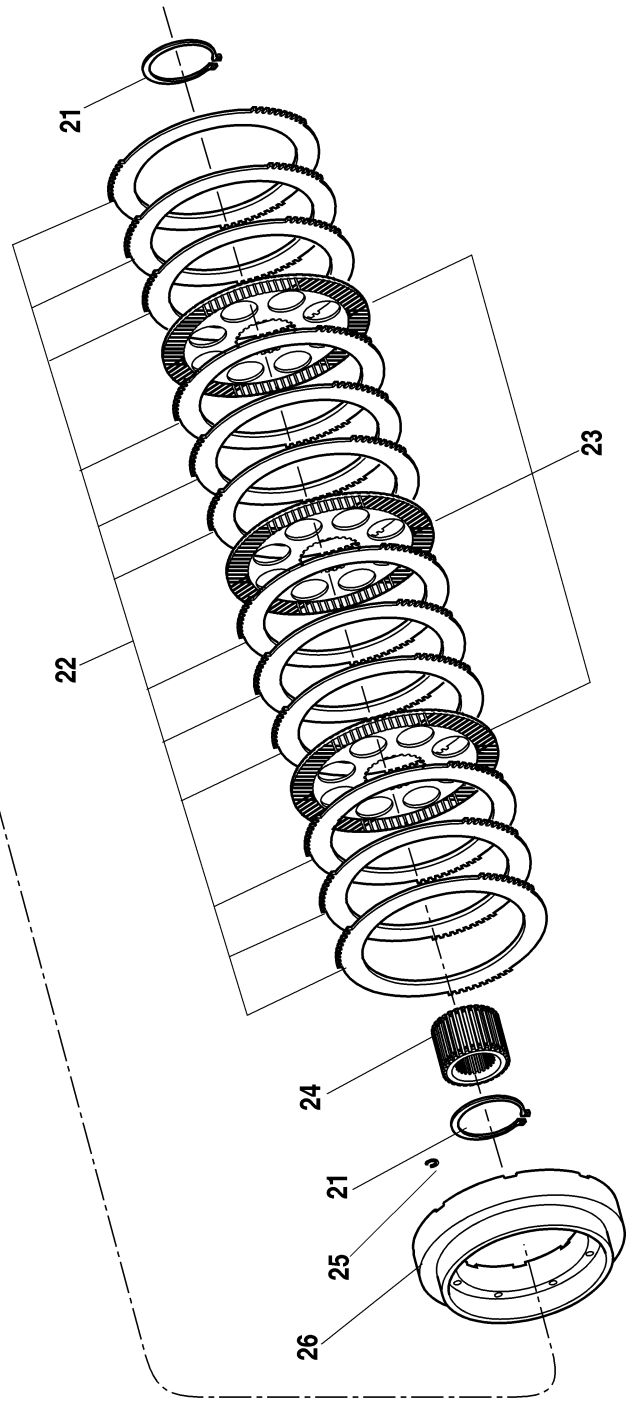
S/N 14409-

REAR AXLE - AXLE CASING

1.12.1



Page 1.11.1

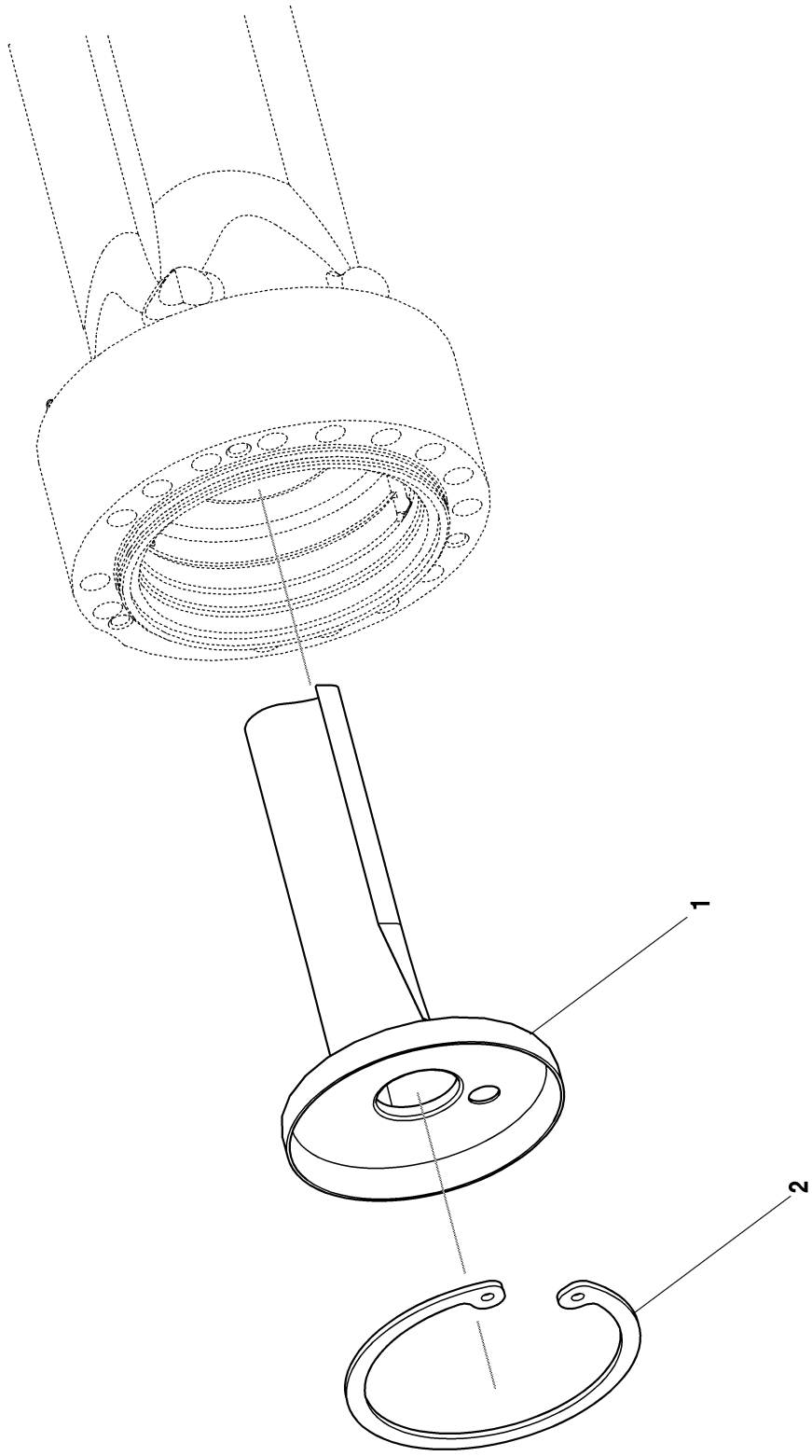


ITEM	PART NO.	QTY.	DESCRIPTION	ITEM	PART NO.	QTY.	DESCRIPTION
1	1319531	2	Shim, Optional A=0,1		1319516	2	Shim, Optional A=1,70
	8035945	2	Shim, Optional A=0,15		1319514	2	Shim, Optional A=1,80
	1318539	2	Shim, Optional A=0,2		1319513	2	Shim, Optional A=1,85
	8035946	2	Shim, Optional A=0,25		1319512	2	Shim, Optional A=1,90
	1319529	2	Shim, Optional A=0,3		1319511	2	Shim, Optional A=1,95
	8035947	2	Shim, Optional A=0,35	2	1321165	1	Bearing, Roller
	8035951	2	Shim, Optional A=0,4	3	8035944	1	Bearing, Roller
	1319543	2	Shim, Optional A=0,45	4	1321161	2	Seal, Shaft
	1319527	2	Shim, Optional A=0,5	5	1319425	2	O-Ring
	1321158	2	Shim, Optional A=0,55	6	1319496	16	Pin
	1319526	2	Shim, Optional A=0,6	7	1319497	16	Spring, Compression
	1319532	2	Shim, Optional A=0,65	8	1319506	2	Plug, Screw
	1319533	2	Shim, Optional A=0,7	9	1319432	2	O-Ring
	1319534	2	Shim, Optional A=0,75	10	1319505	2	Valve, Vent
	1319525	2	Shim, Optional A=0,8	11	1319498	2	Washer
	1319535	2	Shim, Optional A=0,85	12	1319504	2	Ring, Snap
	1319536	2	Shim, Optional A=0,90	13	1321151	2	Ring, Support
	1319537	2	Shim, Optional A=0,95	14	1321162	2	U-Ring
	1319524	2	Shim, Optional A=1,0	15	1321163	2	U-Ring
	1319525	2	Shim, Optional A=1,05	16	1321152	2	Ring, Support
	1319538	2	Shim, Optional A=1,10	17	1319491	12	O-Ring
	1319539	2	Shim, Optional A=1,15	18	8035936	1	Housing, Brake - Left Side
	1319523	2	Shim, Optional A=1,2		8035939	1	Housing, Brake - Right Side
	1319540	2	Shim, Optional A=1,25	19	1319432	2	O-Ring
	1319541	2	Shim, Optional A=1,30	20	1319431	2	Plug, Screw
	1319542	2	Shim, Optional A=1,35	21	10731949	4	Ring, Retaining
	1319522	2	Shim, Optional A=1,4	22	1319500	24	Disc, O. Clutch - Optional S=2,0
	1319521	2	Shim, Optional A=1,45		1319501	24	Disc, O. Clutch - Optional S=2,5
	1319520	2	Shim, Optional A=1,50		1319502	24	Disc, O. Clutch - Optional S=3,0
	1319519	2	Shim, Optional A=1,55	23	1321150	6	Disc, I. Clutch
	1319518	2	Shim, Optional A=1,60	24	1321174	2	Carrier, Disc
	1319517	2	Shim, Optional A=1,65	25	1319499	2	Ring, Crescent
	1319510	2	Shim, Optional A=2,0	26	1321173	16	Piston
	1321159	2	Shim, Optional A=1,47				
	8035948	2	Shim, Optional A=1,63				
	1319515	2	Shim, Optional A=1,75				

S/N 14409-

REAR AXLE - M-DISC BRAKE

1.13.1



ITEM PART NO. QTY. DESCRIPTION

1	1321172	2	Carrier, Pin
2	1321178	2	Ring, Retaining

NOTES:
Quantities Listed are Per Axle.

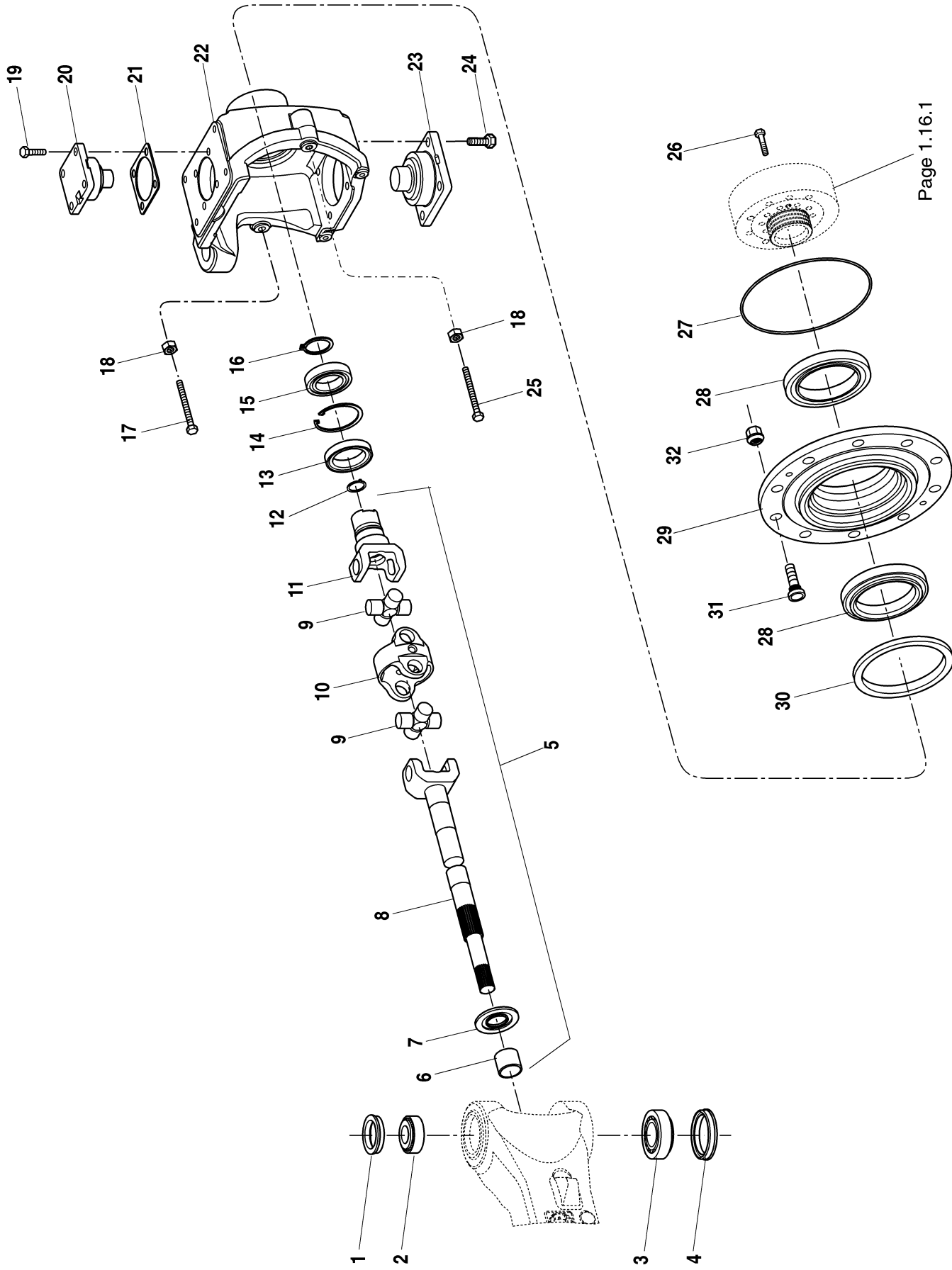
Origin
05/01

4270H
4270L
4290H
4290L

S/N 14409-

REAR AXLE - BRAKE

1.14.1



Page 1.16.1

ITEM PART NO. QTY. DESCRIPTION

1	1319446	2	Seal, Shaft
2	1319444	2	Bearing, Roller
3	1319445	2	Bearing, Roller
4	1319447	2	Seal, Shaft
5	1321176	2	Shaft, D. Universal Coupling (Includes Items 6 thru 11)
6	8035973	2	Bushing
7	8035996	2	Sheet, Screen
8	8035995	2	Fork, Joint Coupling
9	8035993	4	Cross, Joint
10	8035992	2	Central Piece
11	8035994	2	Fork, Joint
12	1321226	2	Ring, Retaining
13	1321164	2	Seal, Shaft
14	1319210	2	Ring, Retaining
15	1321157	2	Bearing, Ball
16	1319546	2	Ring, Retaining
17	1319476	2	Screw, Stop
18	1319477	4	Nut, Hex
19	1319463	4	Screw, Hex
20	1319461	2	Pin, Bearing
21	1319448	2	Shim, Optional S=0,2
	1319449	2	Shim, Optional S=0,3
	1319450	2	Shim, Optional S=0,4
	1319451	2	Shim, Optional S=0,6
	1319452	2	Shim, Optional S=0,8
	1319453	2	Shim, Optional S=1,0
	1319454	2	Shim, Optional S=1,2
	1319455	2	Shim, Optional S=1,4
	1319456	2	Shim, Optional S=1,6
	1319457	2	Shim, Optional S=1,8
	1319458	2	Shim, Optional S=2,0
	1319459	2	Shim, Optional S=0,7
	1319460	2	Shim, Optional S=0,5
22	1321245	1	Housing, Joint - Left Side
	1321246	1	Housing, Joint - Right Side

23	1319462	2	Pin, Bearing
24	1319464	8	Screw, Hex
25	1319475	2	Screw, Stop
26	8035997	16	Screw, Hex
27	1321155	2	O-Ring
28	1319472	4	Bearing, Roller
29	1321239	2	Hub
30	1319471	2	Seal, Shaft
31	1101056	20	Bolt, Wheel
32	1319478	20	Nut, Sph. Collar (Lug Nut)

NOTES:
Quantities Listed are Per Axle.

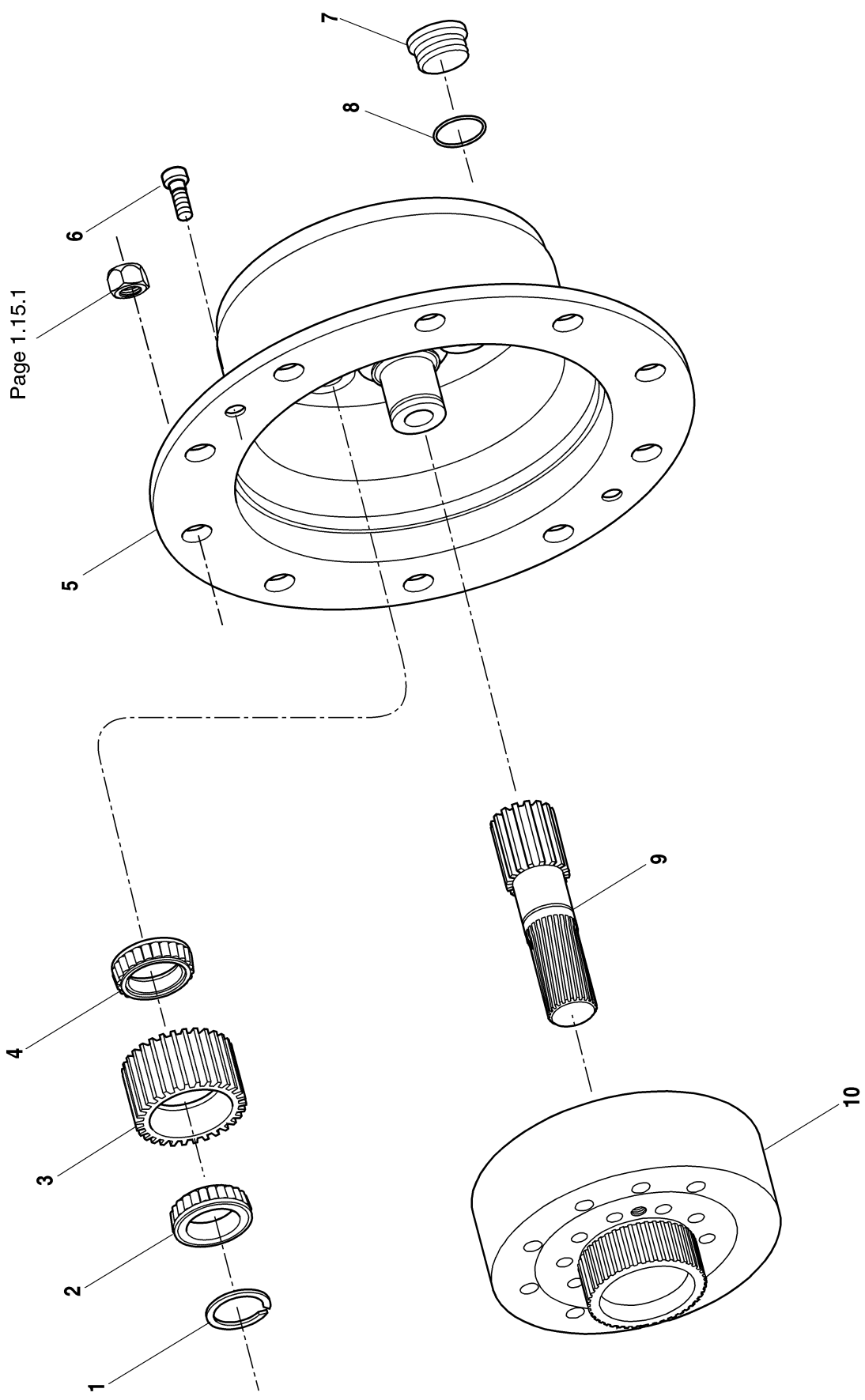
S/N 14409-

REAR AXLE - JOINT HOUSING

1.15.1

4270H
4270L
4290H
4290L

Origin
05/01



ITEM PART NO. QTY. DESCRIPTION

1	1319485	6	Ring, Snap
2	1319484	6	Ring, Bearing Inner
3	1321231	6	Gear, Planet
4	1319483	6	Ring, Bearing Inner
5	1321238	2	Carrier, Planet
6	8035977	4	Screw, Cap
7	1319500	2	Plug, Screw
8	1319432	2	O-Ring
9	1321242	2	Shaft, Sun Gear
10	1321247	2	Gear, Ring

NOTES:
Quantities Listed are Per Axle.

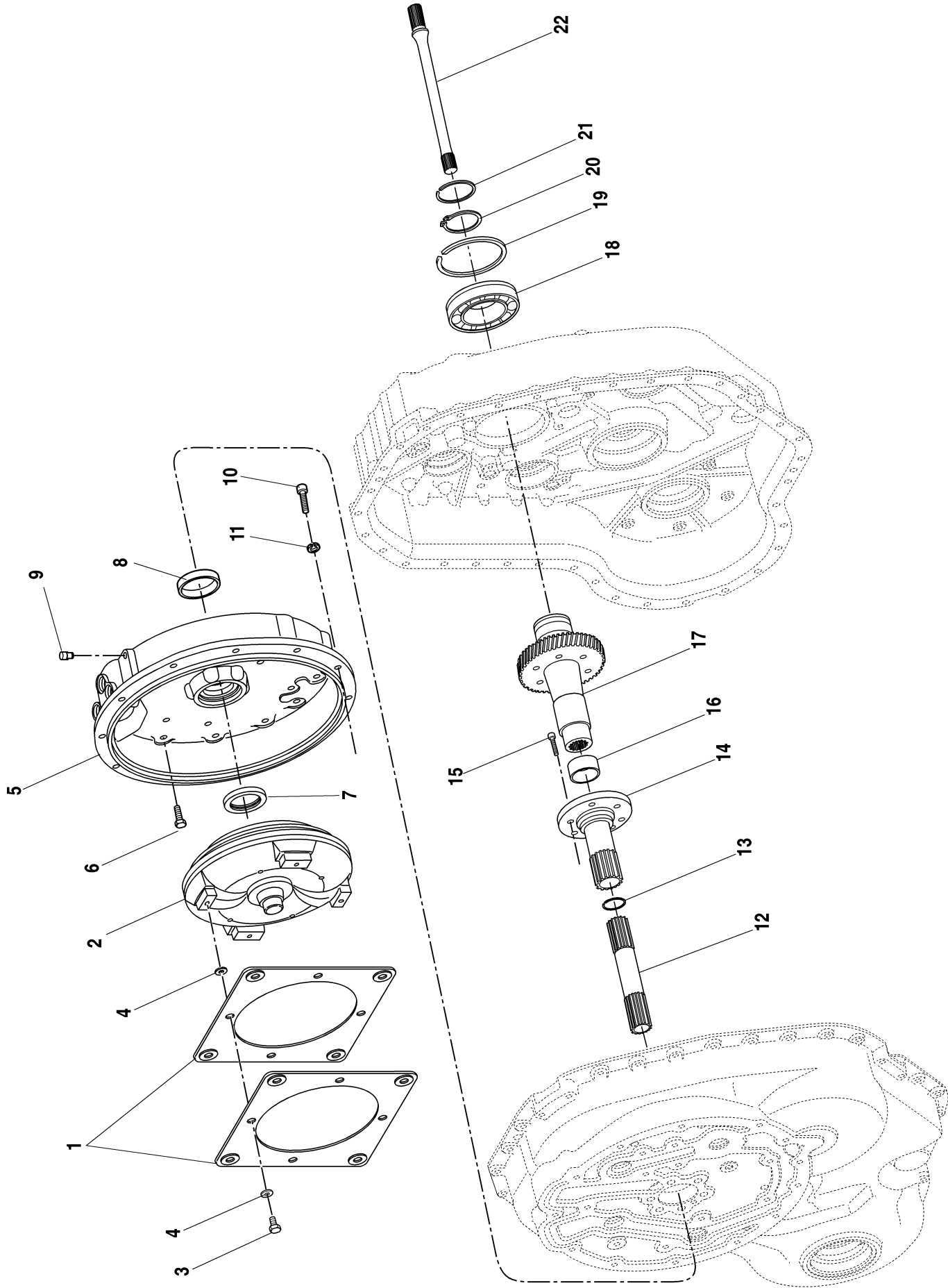
Origin
05/01

4270H
4270L
4290H
4290L

S/N 14409-

REAR AXLE - PLANETARY DRIVE

1.16.1



ITEM PART NO. QTY. DESCRIPTION

1	1319229	2	Diaphragm
2	1319258	1	Converter
3	1319231	4	HHCS, M10 x 16mm
4	10731703	8	Washer, Thrust 1,00
5	1319574	1	Bell, Converter
6	1319569	23	HHCS, M10 x 30mm
7	1319576	1	Seal, Shaft
8	1319757	1	Bushing, Bearing
9	10731744	1	Breather
10	8303769	12	HHCS, M10-1,5 x 45mm
11	8307023	12	Washer, Lock M10
12	1319236	1	Shaft, Turbine
13	10731732	1	Ring, Snap 30
14	1319557	1	Shaft, Stator
15	1319577	6	SHCS, M10 x 50mm
16	1319558	1	Bushing, Bearing
17	1319559	1	Shaft, Input
18	1319563	1	Bearing, Ball
19	10731913	1	Ring, Snap 100
20	1319564	1	Ring, Retaining 55 x 2,00
21	1319565	1	Ring, Piston 55 x 3,00
22	1319566	1	Shaft, Central

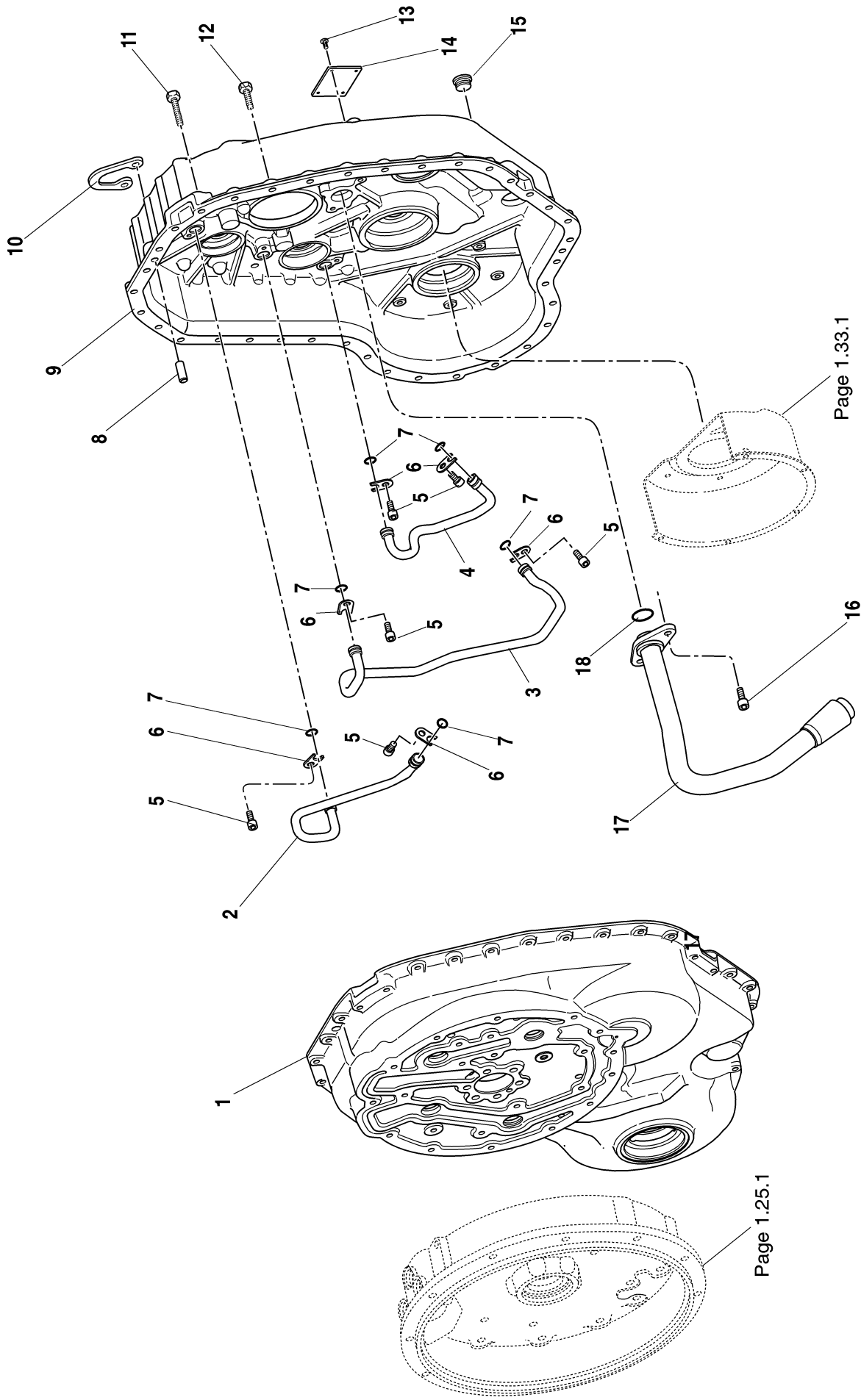
Origin
05/01

4270H
4270L
4290H
4290L

S/N 14409-

ENGINE CONNECTION & INPUT SHAFTS

1.25.1



ITEM PART NO. QTY. DESCRIPTION

1	1319567	1	Housing I
2	1319586	1	Pipe
3	1319587	1	Pipe
4	1319588	1	Pipe
5	1319585	11	SHCS, M8 x 16mm
6	1319584	6	Plate, Fixing
7	1319583	6	O-Ring, 14 x 2,00
8	1319571	2	Pin, Cylindrical M6 x 24
9	1319568	1	Housing II
10	1319590	1	Bracket
11	1319570	6	HHCS, M10 x 50mm
12	1319569	30	HHCS, M10 x 30mm
13	1319573	4	Stud, Grooved 3 x 5,00
14	1319572	1	Plate, Type
15	1319578	1	Plug, Drain 7/8-14
16	1319582	2	SHCS, M8 x 20mm
17	1319580	1	Pipe, Oil Suction
18	1319581	1	O-Ring, 30 x 3,00
19	1319576	1	Seal, Shaft

NOTES:

For complete Transmission Assembly (See Page 1.1.1)

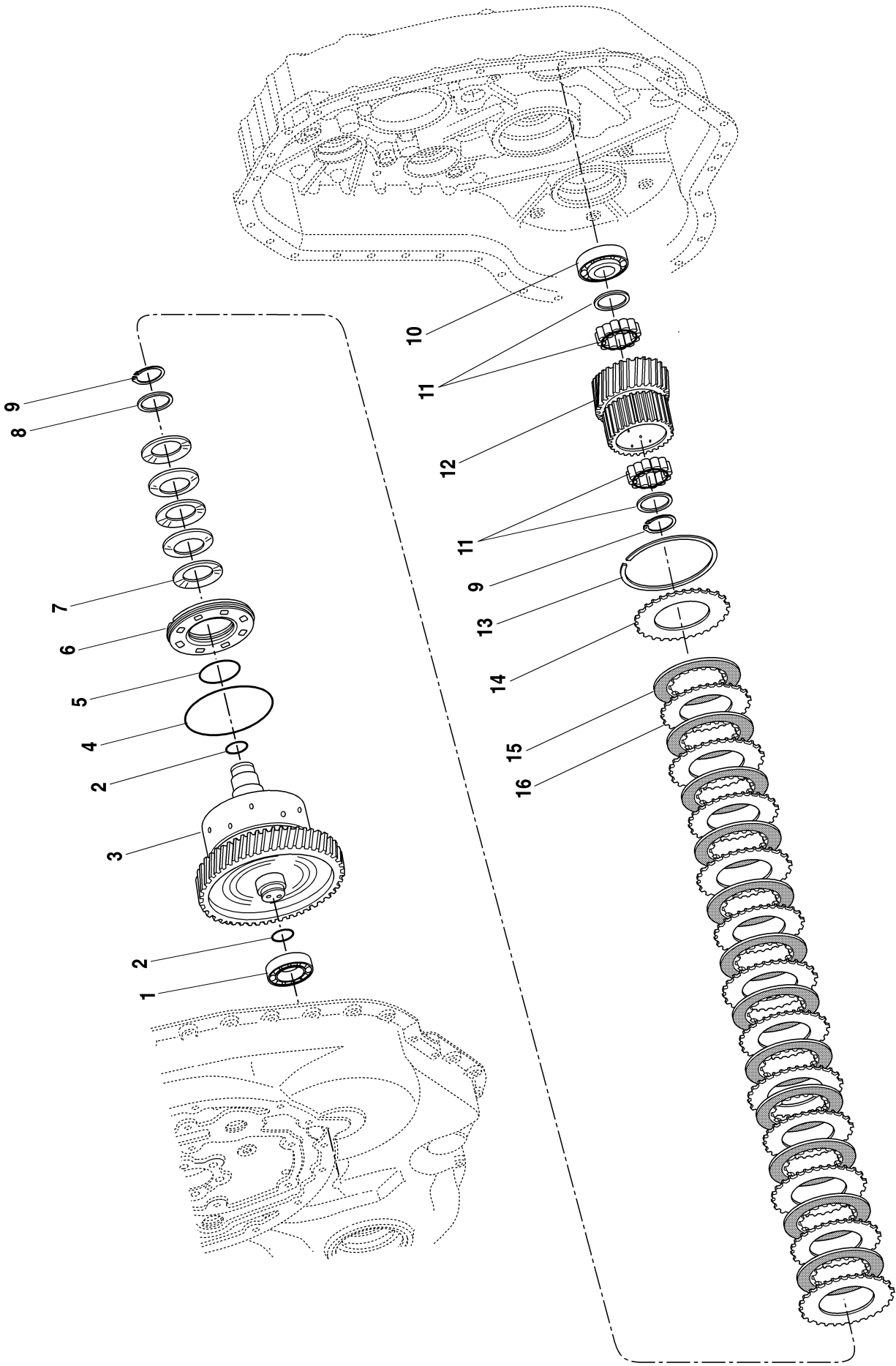
Origin
05/01

4270H
4270L
4290H
4290L

S/N 14409-

GEARBOX HOUSING

1.26.1



ITEM PART NO. QTY. DESCRIPTION

1	1319608	1	Bearing, Roller
2	1319612	1	Ring, Piston 30 x 2,00
3	1319591	1	Coupling
4	1319594	1	O-Ring, 115 x 3,00
5	1319593	1	O-Ring, 52 x 3,00
6	1319592	1	Piston
7	1319595	5	Spring, Cup
8	1319596	1	Shim, 2,00
9	10731845	2	Ring, Retaining 40 x 1,75
10	1319609	1	Bearing, Roller
11	1319605	2	Cage, Roller
12	1319607	1	Carrier, Disc
13	1319600	1	Ring, Snap 4,00
	1319601	1	Ring, Snap 3,50
	1319602	1	Ring, Snap 3,00
	1319603	1	Ring, Snap 2,50
	1319604	1	Ring, Snap 2,00
14	1319599	1	Shim, End
15	1319597	12	Disc, Lin. Clutch
16	1319598	12	Disc, O. Clutch

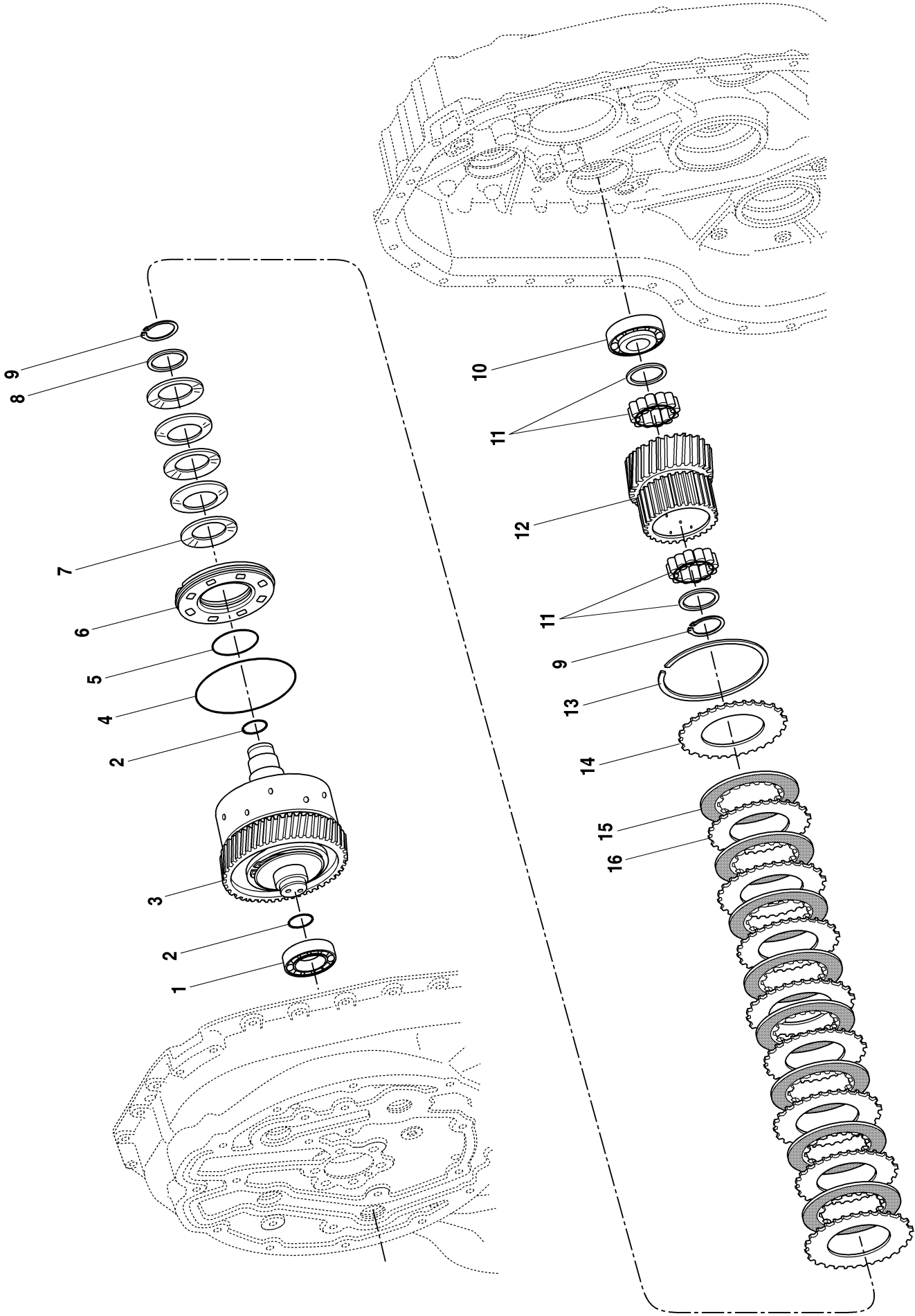
Origin
05/01

4270H
4270L
4290H
4290L

S/N 14409-

COUPLING GROUP 1

1.27.1



ITEM PART NO. QTY. DESCRIPTION

1	1319615	1	Bearing, Roller
2	1319612	2	Ring, Piston 30 x 2,00
3	1319613	1	Coupling
4	1319594	1	O-Ring 115 x 3,00
5	1319593	1	O-Ring 52 x 3,00
6	1319592	1	Piston
7	1319595	5	Spring, Cup
8	1319596	1	Shim, 2,00
9	10731845	2	Ring, Retaining 40 x 1,75
10	1319609	1	Bearing, Roller
11	1319605	2	Cage, Roller
12	1319614	1	Carrier, Disc
13	1319600	1	Ring, Snap 4,00
	1319601	1	Ring, Snap 3,50
	1319602	1	Ring, Snap 3,00
	1319603	1	Ring, Snap 2,50
	1319604	1	Ring, Snap 2,00
14	1319599	1	Shim. End
15	1319597	8	Disc, Lin. Clutch
16	1319598	8	Disc, O. Clutch

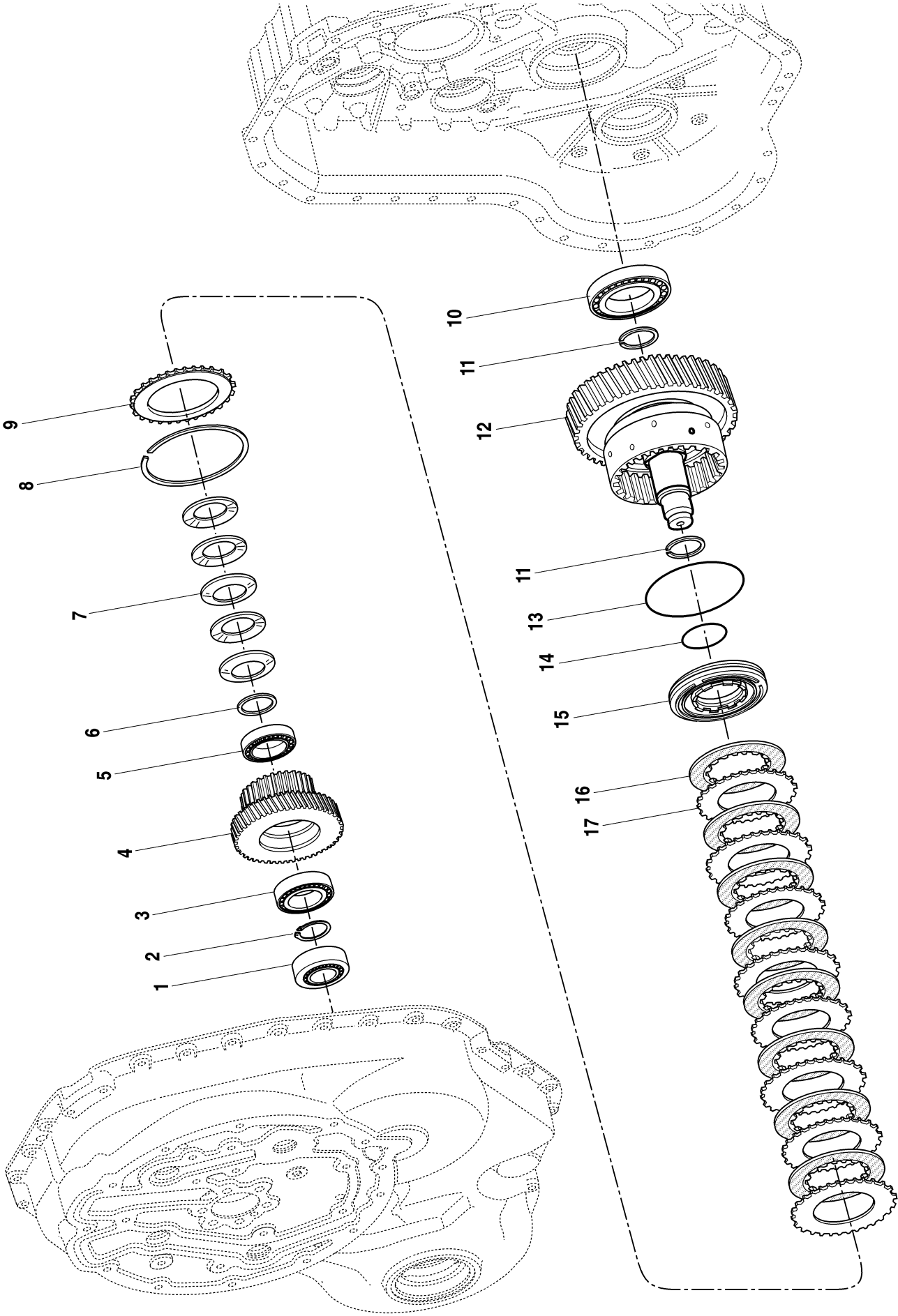
Origin
05/01

4270H
4270L
4290H
4290L

S/N 14409-

COUPLING GROUP 2

1.28.1



ITEM PART NO. QTY. DESCRIPTION

1	1319606	1	Bearing, Roller
2	1319621	1	Ring, Retaining 3,20
	1319622	1	Ring, Retaining 3,10
	1319623	1	Ring, Retaining 3,00
	1319624	1	Ring, Retaining 2,90
	1319625	1	Ring, Retaining 2,80
	1319626	1	Ring, Retaining 2,70
	1319627	1	Ring, Retaining 2,60
	1319628	1	Ring, Retaining 38 x 2,50
	1319629	1	Ring, Retaining 38 x 2,40
	1319630	1	Ring, Retaining 38 x 2,30
	1319631	1	Ring, Retaining 38 x 2,20
	1319632	1	Ring, Retaining 38 x 2,10
3	1319620	1	Bearing, Roller
4	1319619	1	Carrier, Disc
5	1319618	1	Bearing, Roller
6	1319617	1	Shim, Support
7	1319595	5	Spring, Cup
8	1319600	1	Ring, Snap 4,00
	1319601	1	Ring, Snap 3,50
	1319602	1	Ring, Snap 3,00
	1319603	1	Ring, Snap 2,50
	1319604	1	Ring, Snap 2,00
9	1319599	1	Shim, End
10	1319633	1	Bearing, Roller
11	1319612	2	Ring, Piston 30 x 2,00
12	1319616	1	Coupling
13	1319594	1	O-Ring, 115 x 3,00
14	1319593	1	O-Ring, 52 x 3,00
15	1319592	1	Piston
16	1319597	8	Disc, Lin. Clutch
17	1319598	8	Disc, O. Clutch

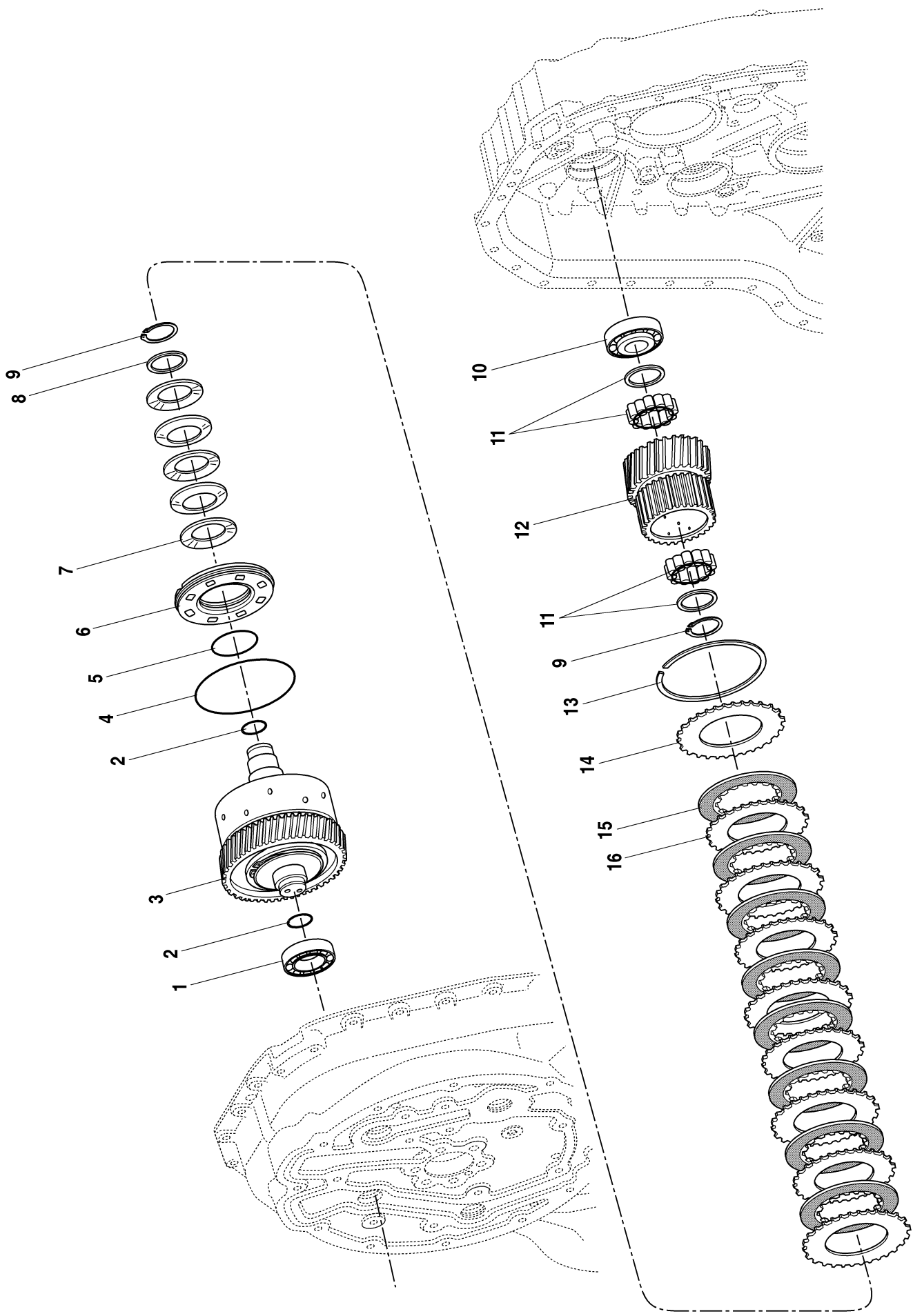
Origin
05/01

4270H
4270L
4290H
4290L

S/N 14409-

COUPLING GROUP 3

1.29.1



ITEM PART NO. QTY. DESCRIPTION

1	1319615	1	Bearing, Roller
2	1319612	2	Ring, Piston 30 x 2,00
3	1319634	1	Coupling
4	1319594	1	O-Ring 115 x 3,00
5	1319593	1	O-Ring 52 x 3,00
6	1319592	1	Piston
7	1319595	5	Spring, Cup
8	1319596	1	Shim, 2,00
9	10731845	2	Ring, Retaining 40 x 1,75
10	1319636	1	Bearing, Roller
11	1319605	1	Cage, Roller
12	1319635	1	Carrier, Disc
13	1319600	1	Ring, Snap 4,00
	1319601	1	Ring, Snap 3,50
	1319602	1	Ring, Snap 3,00
	1319603	1	Ring, Snap 2,50
	1319604	1	Ring, Snap 2,00
14	1319599	1	Shim. End
15	1319597	8	Disc, Lin. Clutch
16	1319598	8	Disc, O. Clutch

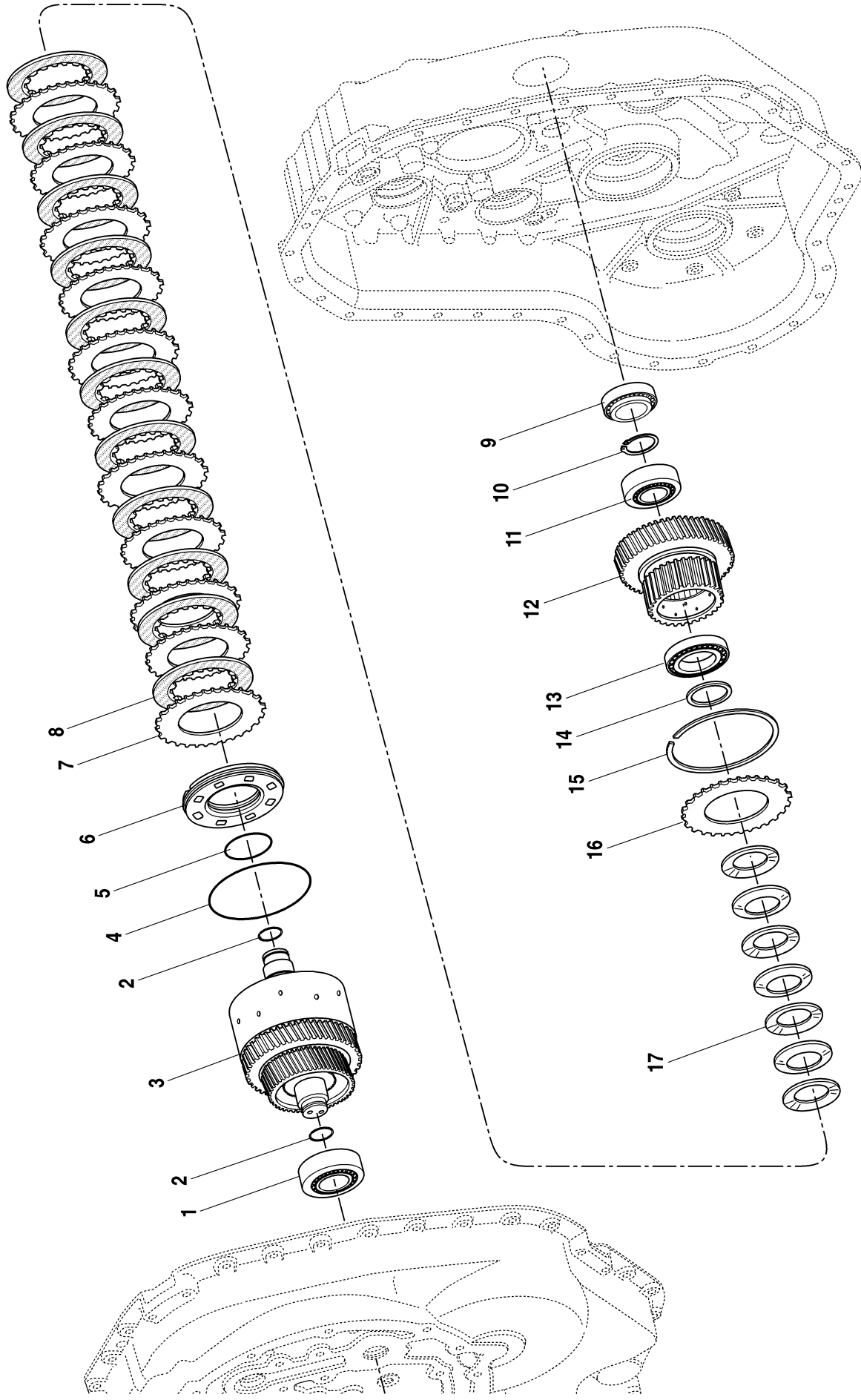
Origin
05/01

4270H
4270L
4290H
4290L

S/N 14409-

COUPLING GROUP 4

1.30.1



ITEM PART NO. QTY. DESCRIPTION

1	1319615	1	Bearing, Roller
2	1319612	1	Ring, Piston 30 x 2,00
3	1319637	1	Coupling
4	1319594	1	O-Ring 115 x 3,00
5	1319593	1	O-Ring 52 x 3,00
6	1319592	1	Piston
7	1319597	11	Disc, Lin. Clutch
8	1319598	11	Disc, O. Clutch
9	1319636	1	Bearing, Roller
10	1319621	1	Ring, Retaining 3,20
	1319622	1	Ring, Retaining 3,10
	1319623	1	Ring, Retaining 3,00
	1319624	1	Ring, Retaining 2,90
	1319625	1	Ring, Retaining 2,80
	1319626	1	Ring, Retaining 2,70
	1319627	1	Ring, Retaining 2,60
	1319628	1	Ring, Retaining 2,50
	1319629	1	Ring, Retaining 2,40
	1319630	1	Ring, Retaining 2,30
	1319631	1	Ring, Retaining 2,20
	1319632	1	Ring, Retaining 2,10
11	1319620	1	Bearing, Roller
12	1319638	1	Carrier, Disc
13	1319618	1	Bearing, Roller
14	1319617	1	Shim, Support
15	1319600	1	Ring, Snap 4,00
	1319601	1	Ring, Snap 3,50
	1319602	1	Ring, Snap 3,00
	1319603	1	Ring, Snap 2,50
	1319604	1	Ring, Snap 2,00
16	1319599	1	Shim, End
17	1319595	7	Spring, Cup

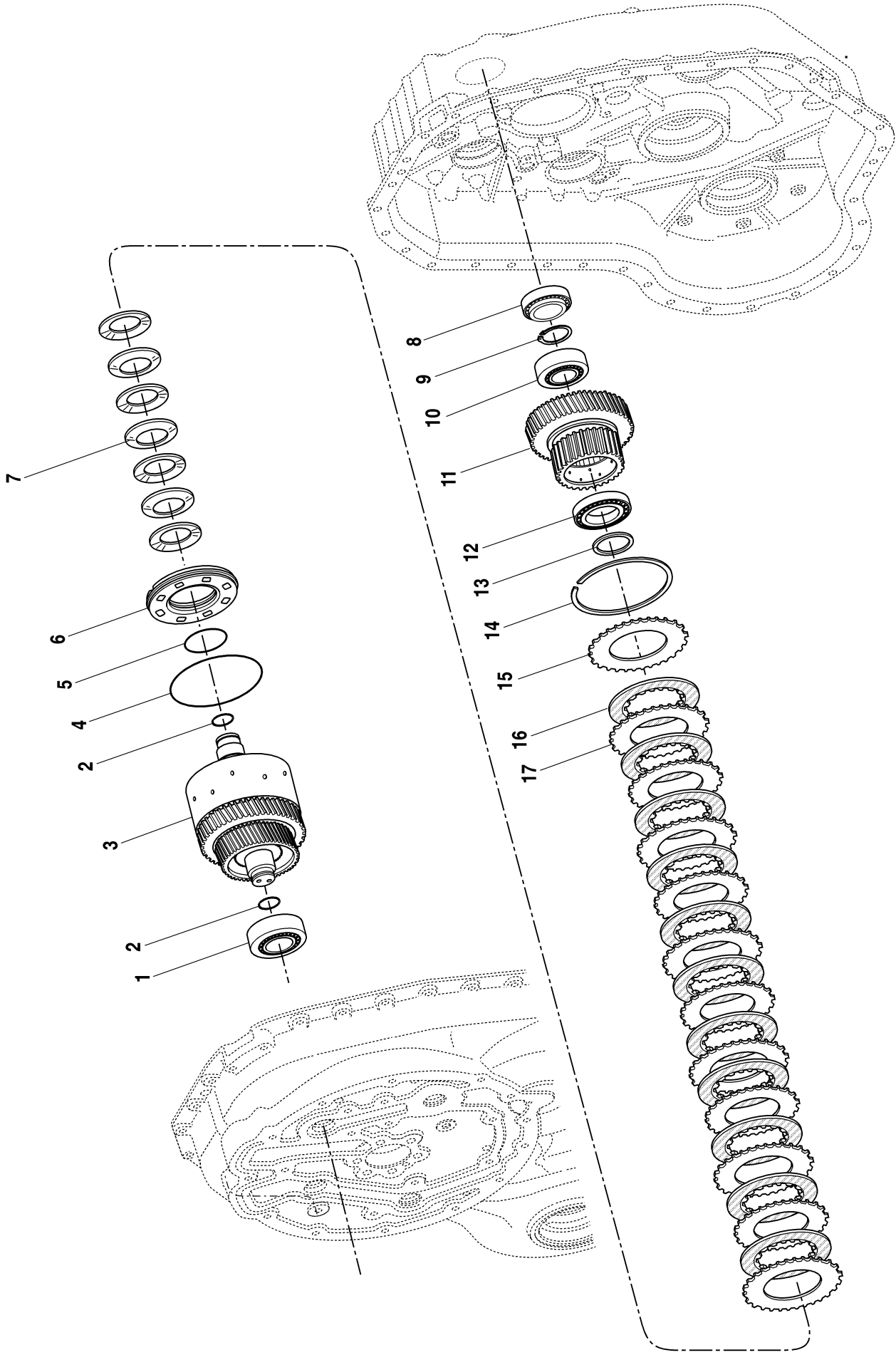
Origin
05/01

4270H
4270L
4290H
4290L

S/N 14409-

REVERSING GEAR GROUP 1

1.31.1



ITEM PART NO. QTY. DESCRIPTION

1	1319608	1	Bearing, Roller
2	1319612	1	Ring, Piston 30 x 2,00
3	1319639	1	Coupling
4	1319594	1	O-Ring 115 x 3,00
5	1319593	1	O-Ring 52 x 3,00
6	1319592	1	Piston
7	1319595	7	Spring, Cup
8	1319636	1	Bearing, Roller
9	1319621	1	Ring, Retaining 3,20
	1319622	1	Ring, Retaining 3,10
	1319623	1	Ring, Retaining 3,00
	1319624	1	Ring, Retaining 2,90
	1319625	1	Ring, Retaining 2,80
	1319626	1	Ring, Retaining 2,70
	1319627	1	Ring, Retaining 2,60
	1319628	1	Ring, Retaining 2,50
	1319629	1	Ring, Retaining 2,40
	1319630	1	Ring, Retaining 2,30
	1319631	1	Ring, Retaining 2,20
	1319632	1	Ring, Retaining 2,10
10	1319620	1	Bearing, Roller
11	1319638	1	Carrier, Disc
12	1319618	1	Bearing, Roller
13	1319617	1	Shim, Support
14	1319600	1	Ring, Snap 4,00
	1319601	1	Ring, Snap 3,50
	1319602	1	Ring, Snap 3,00
	1319603	1	Ring, Snap 2,50
	1319604	1	Ring, Snap 2,00
15	1319599	1	Shim, End
16	1319597	11	Disc, Lin. Clutch
17	1319598	11	Disc, O. Clutch

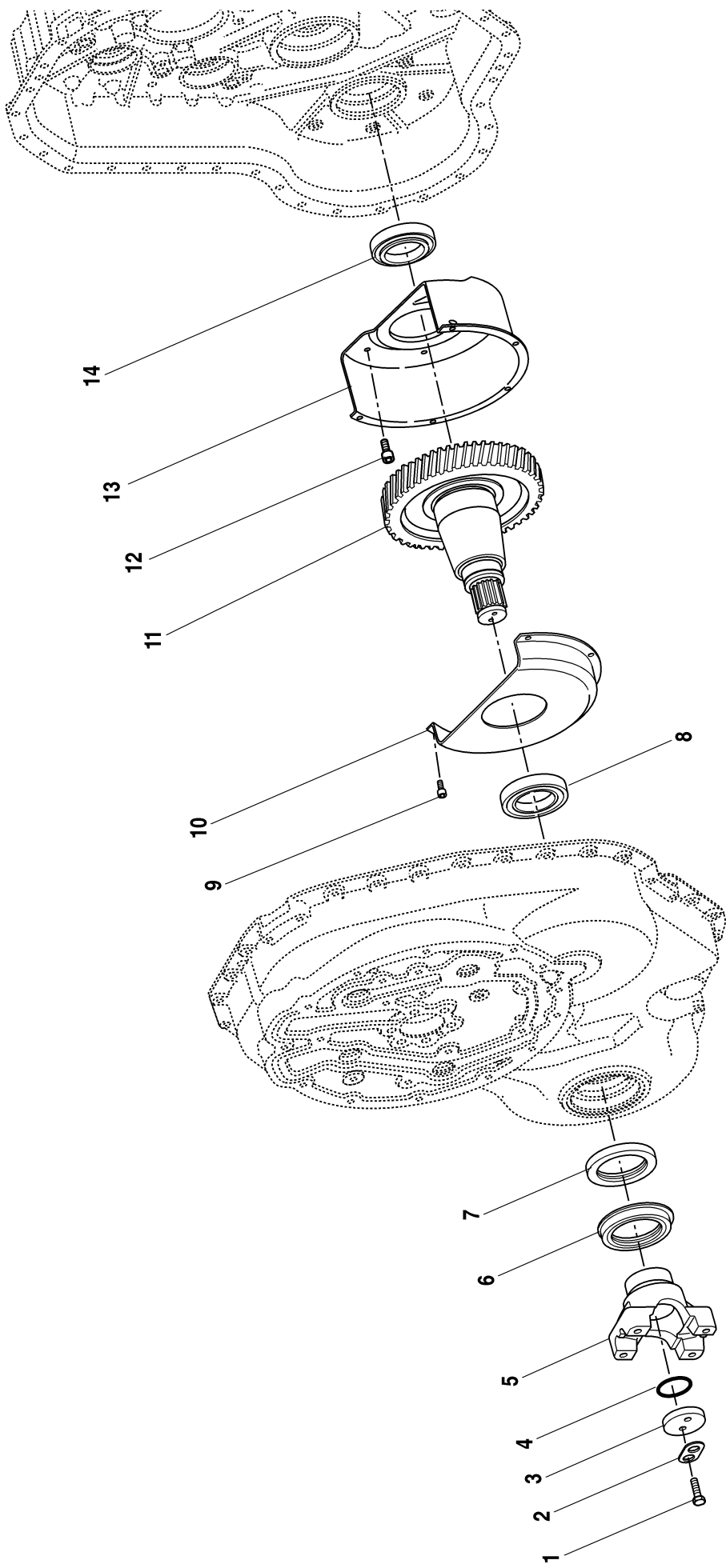
Origin
05/01

4270H
4270L
4290H
4290L

S/N 14409-

REVERSING GEAR GROUP 2

1.32.1



ITEM PART NO. QTY. DESCRIPTION

1	10731959	2	HHCS, M8 x 25mm
2	1319649	1	Washer, Tab
3	1319648	1	Washer, 10,00
4	10839156	1	O-ring 38 x 4.00
5	1319642	1	Flange, Output
6	1319647	1	Screen, Sheet
7	1319641	1	Seal, Shaft
8	1319643	1	Bearing, Roller
9	1319646	5	HHCS, M6 x 10mm
10	1319645	1	Sheet, Screen
11	1319640	1	Shaft
12	1319585	10	SHCS. M6 x 16mm
13	1319589	1	Sheet, Screen
14	1319644	1	Bearing, Roller

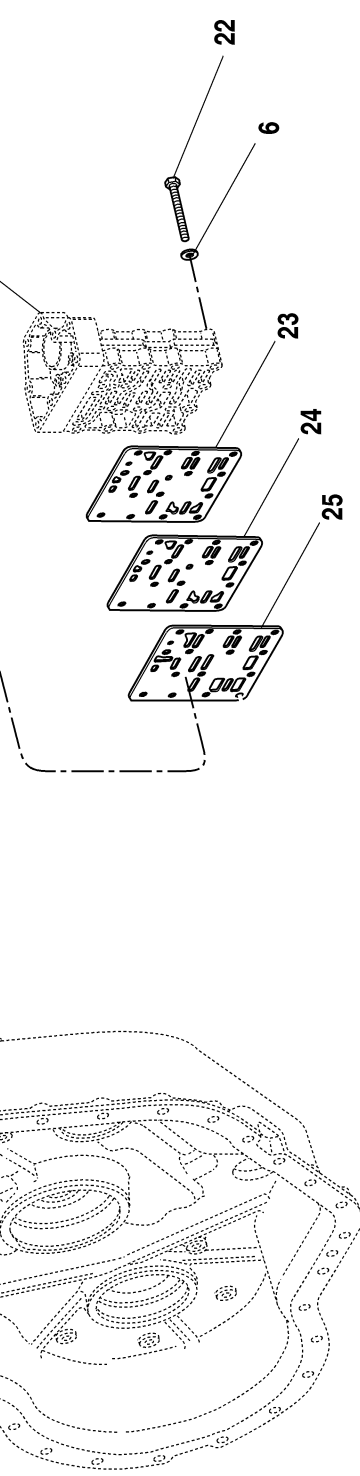
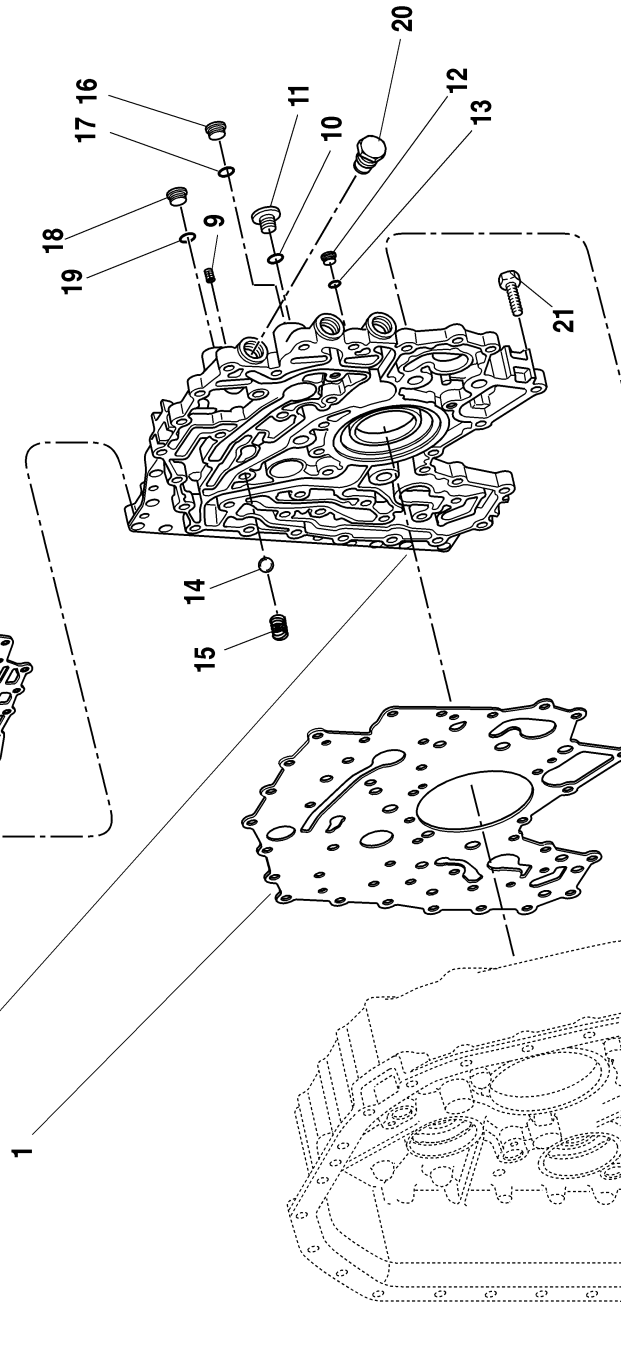
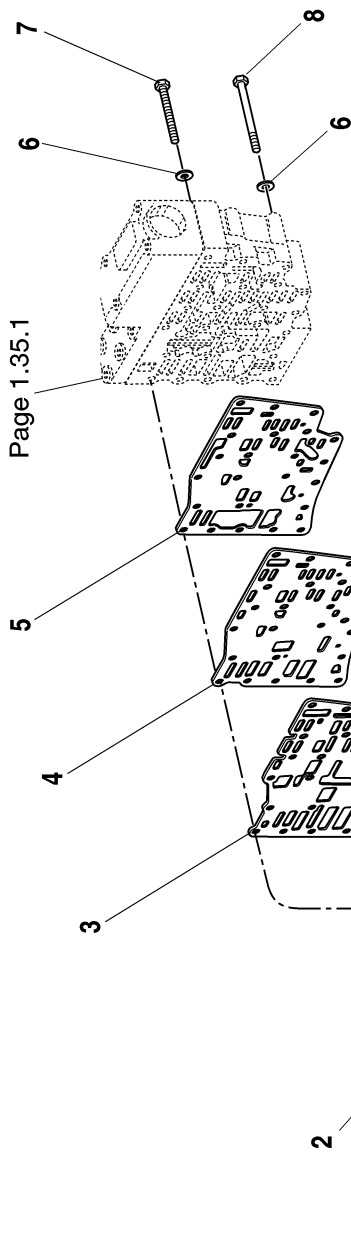
Origin
05/01

4270H
4270L
4290H
4290L

S/N 14409-

OUTPUT

1.33.1



ITEM PART NO. QTY. DESCRIPTION

1	1319650	1	Gasket
2	1319651	1	Plate, Duct
3	1319653	1	Gasket
4	1319654	1	Interm, Sheet
5	1319655	1	Gasket
6	1319661	38	Washer 6,4
7	1319660	4	HHCS, M6 x 75mm
8	1319662	19	HHCS, M6 x 65mm
9	1319652	1	Orifice
10	1319665	1	O-Ring, 10,52 x 1,83
11	1319664	1	Plug, Screw 1/2"-20 UNF
12	1319670	1	Plug, Screw M10 x 1mm
13	10731709	1	O-Ring, 8 x 1,5
14	10732071	1	Ball
15	10732072	1	Spring, Compression
16	1319668	1	Plug, Screw 3/4"-16 UNF
17	1319669	1	O-Ring, 16,36 x 2,21
18	1319666	1	Plug, Screw 9/16"-18 UNF
19	1319667	1	O-Ring 11,89 x 1,98
20	1319663	3	Plug
21	1319659	43	Screw, Torx M8 x 30
22	1319494	15	HHCS, M6 x 55mm
23	1319658	1	Gasket
24	1319657	1	Interm, Sheet
25	1319565	1	Gasket

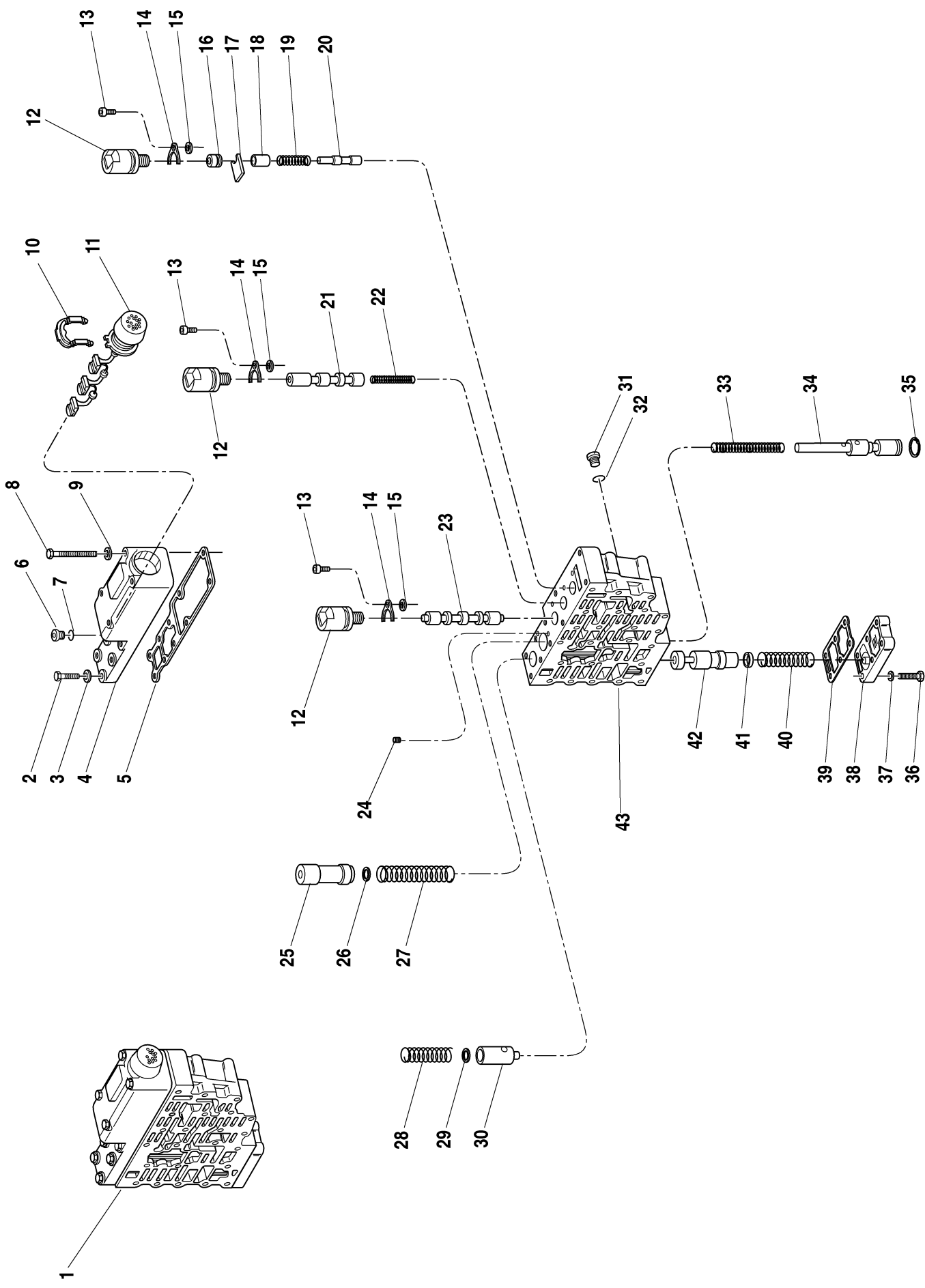
Origin
05/01

4270H
4270L
4290H
4290L

S/N 14409-

CONTROL UNIT

1.34.1

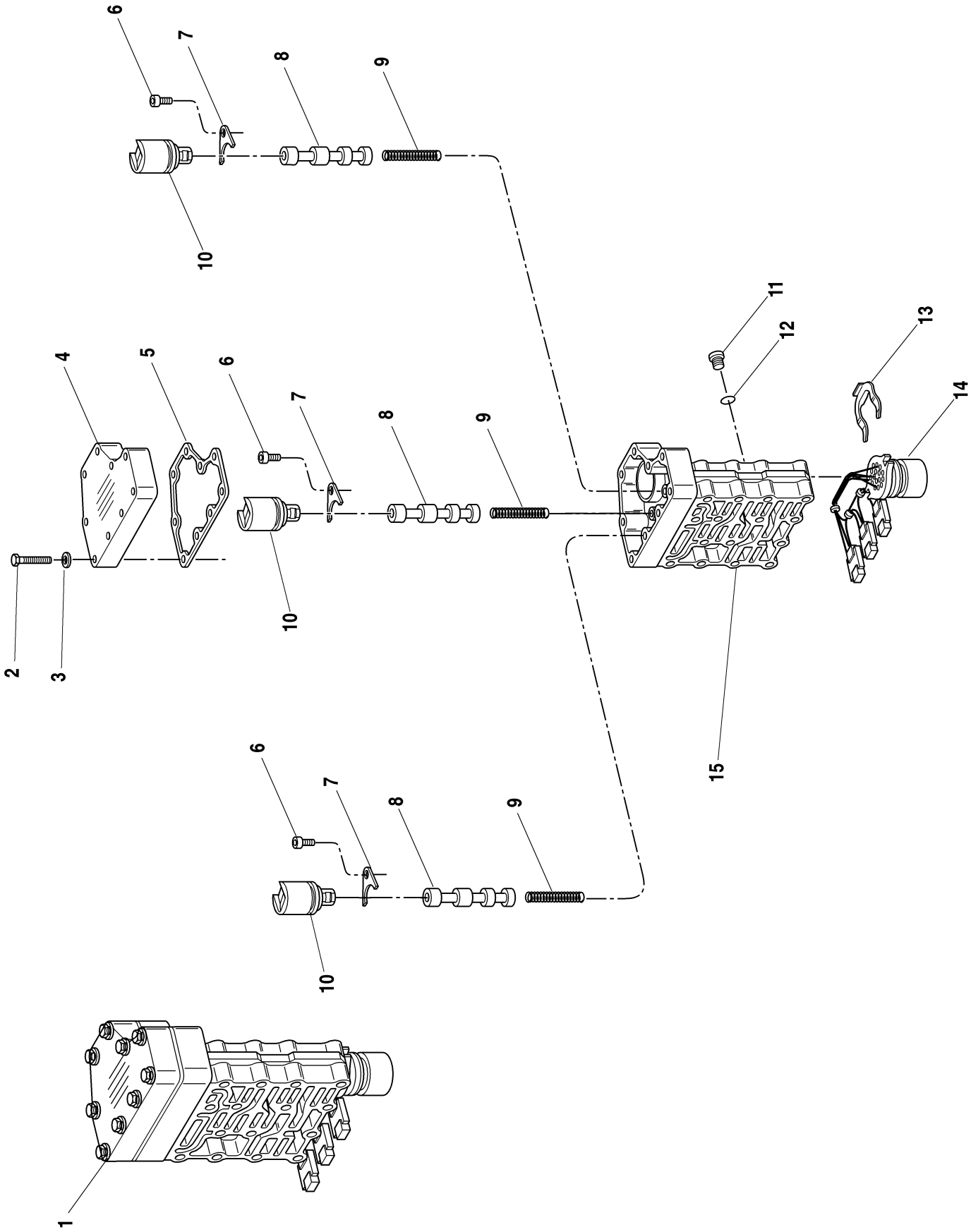


ITEM	PART NO.	QTY.	DESCRIPTION	ITEM	PART NO.	QTY.	DESCRIPTION
1	1319716	1	Valve Housing Assembly - Complete (Includes Items 2 thru 43)	32	10731709	1	O-Ring, 8 x 1,5
2	1319693	6	HHCS, M6 x 25mm	33	1319684	1	Spring, Compression
3	1319661	6	Washer, 6,4	34	1319681	1	Piston, Control
4	1319706	1	Cover	35	1319682	1	Washer, Lock 12,0
5	1319705	1	Gasket	36	1319693	6	HHCS, M6 x 25mm
6	1319670	1	Plug, Screw M10 x 1	37	1319661	6	Washer, 6,4
7	10731709	1	O-Ring, 8 x 1,5	38	1319692	1	Cover
8	1319708	4	HHCS, M6 x 60mm	39	1319691	1	Gasket
9	1319661	4	Washer, 6,4	40	1319680	1	Spring, Compression
10	1319707	1	Clamp, Retaining	41	1319675	1	Ring, Spacer 3,60
11	1319704	1	Harness, Wiring		1319676	1	Ring, Spacer 3,20
12	1319702	3	Valve, Solenoid		1319677	1	Ring, Spacer 2,80
13	1319703	3	HHCS, M5 x 12mm		1319678	1	Ring, Spacer 2,40
14	10732063	3	Plate, Fixing		1319679	1	Ring, Spacer 2,00
15	10732064	3	Washer, 2,00	42	1319674	1	Piston
16	1319700	1	Plug	43	1319671	1	Housing, Valve
17	1319701	1	Plate, Fixing				
18	1319699	1	Sleeve, Spacer				
19	1319698	1	Spring, Compression				
20	1319697	1	Piston				
21	1319695	1	Piston				
22	1319696	1	Spring, Compression				
23	1319694	1	Valve				
24	1319652	1	Orifice				
25	1319690	1	Piston				
26	1319685	1	Washer, 2,00				
	1319686	1	Washer, 1,00				
	1319687	1	Washer, 0,50				
	1319688	1	Washer, 0,30				
	1319689	1	Washer, 0,20				
27	1319683	1	Spring, Compression				
28	1319673	1	Spring, Compression				
29	10732029	1	Ring, Shim 10 x 16 x 1				
30	1319672	1	Piston				
31	1319670	1	Plug, Screw M10 x 1				

S/N 14409-

VALVE HOUSING ASSEMBLY

1.35.1



ITEM PART NO. QTY. DESCRIPTION

1	1319717	1	Valve Block Assembly - Complete (Includes Items 2 thru 15)
2	1319714	9	HHCS, M5 x 32mm
3	1319715	9	Washer, 5,3
4	1319713	1	Cover
5	1319712	1	Gasket
6	1319703	3	SHCS, M5 x 12mm
7	10732063	3	Plate, Fixing
8	1319710	3	Piston
9	1319696	3	Spring, Compression
10	1319702	3	Valve, Solenoid
11	1319670	3	Plug, Screw M10 x 1
12	10731709	3	O-Ring, 8 x 1,5
13	1319707	1	Clamp, Retaining
14	1319711	1	Harness, Wiring
15	1319709	1	Block, Valve

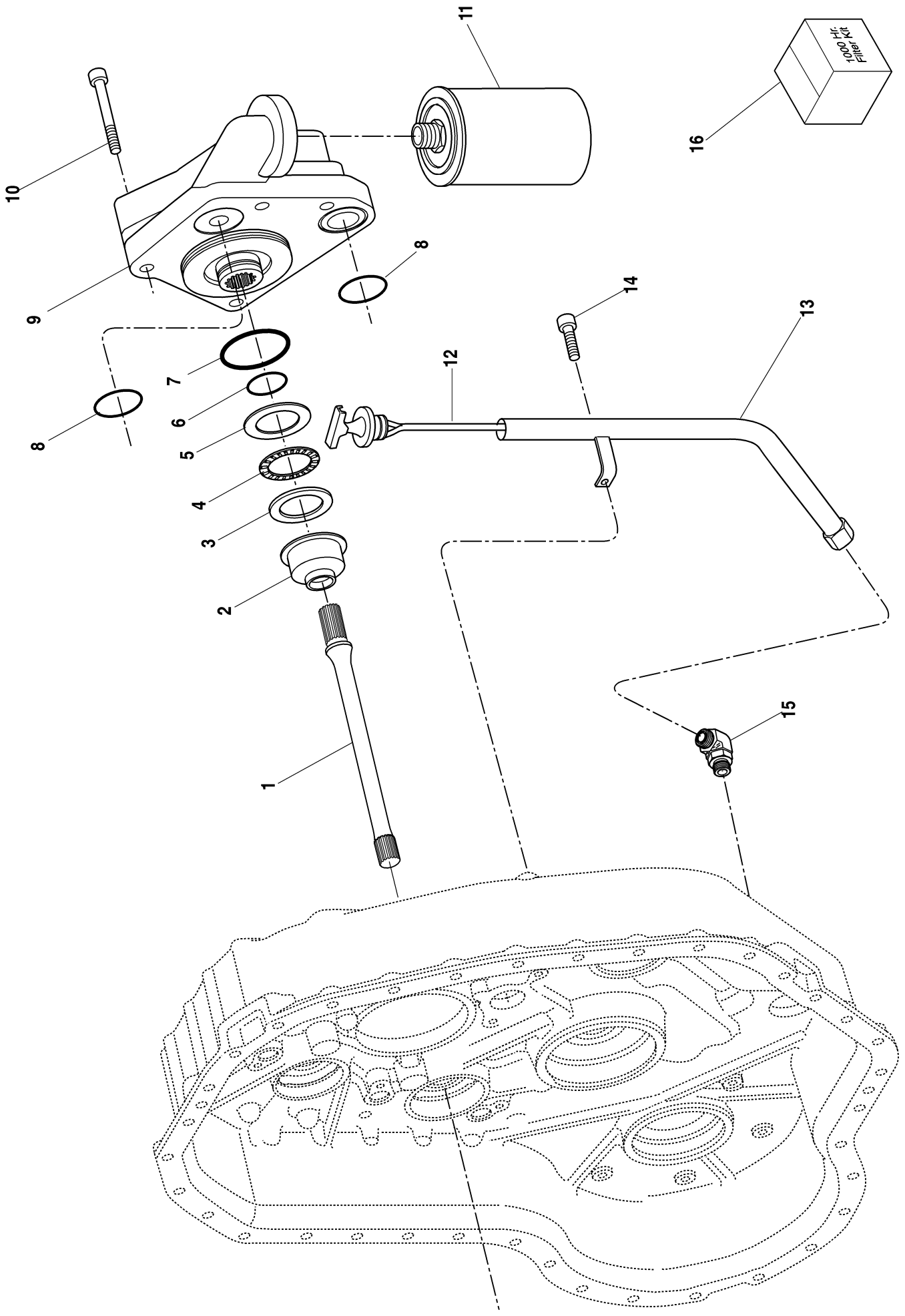
Origin
05/01

S/N 14409-

4270H
4270L
4290H
4290L

VALVE BLOCK ASSEMBLY

1.36.1



1.37.1

Origin 05/01

01TM-4012

ITEM PART NO. QTY. DESCRIPTION

1	1319566	1	Shaft, Central
2	1319723	1	Bushing, Spacer
3	1319722	1	Disc, Angle
4	1319721	1	Cage, Axial Needle
5	1319720	1	Washer, Axial 40 x 60 x 1
6	1319724	1	O-Ring, 36 x 2,5
7	8036250	1	O-Ring
8	1319719	2	O-Ring, 40,95 x 2,62
9	1319718	1	Pump
10	1319725	4	HHCS, M12 x 115mm
11	1319726	1	Filter, Transmission
12	8036003	1	Dipstick
13	8036002	1	Tube, Dipstick
14	8036005	1	Screw, Cylindrical
15	8036004	1	Fitting

KITS

16	7139238		1000 Hour Filter Kit (Includes 6 Filters: Engine Oil Filter, Fuel Filter, Both Air Filters, Transmission Oil Filter & Hydraulic Oil Filter)
----	---------	--	---

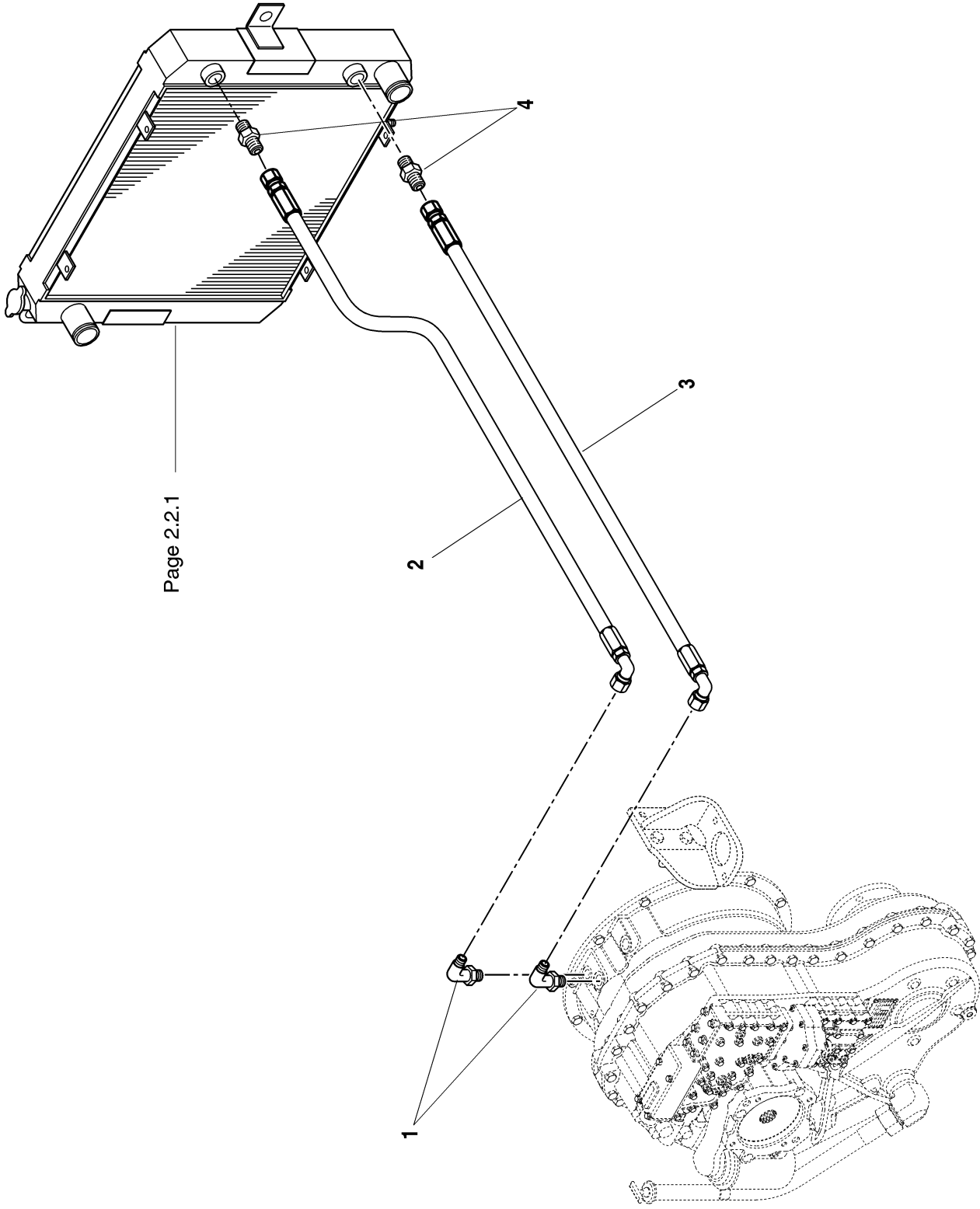
Origin
05/01

4270H
4270L
4290H
4290L

S/N 14409-

OIL PUMP AND FILTER

1.37.1



Page 2.2.1

ITEM PART NO. QTY. DESCRIPTION

1	8770160	2	Elbow, 90°, SAE 12-10 - str. thd. ORB x OFS
2	2716519	12	Hose, 3/4 I.D. x 48" Long
3	2716518	1	Hose, 3/4 I.D. x 42" Long
4	8770070	2	Connector, SAE 12 - str. thd. ORB x OFS

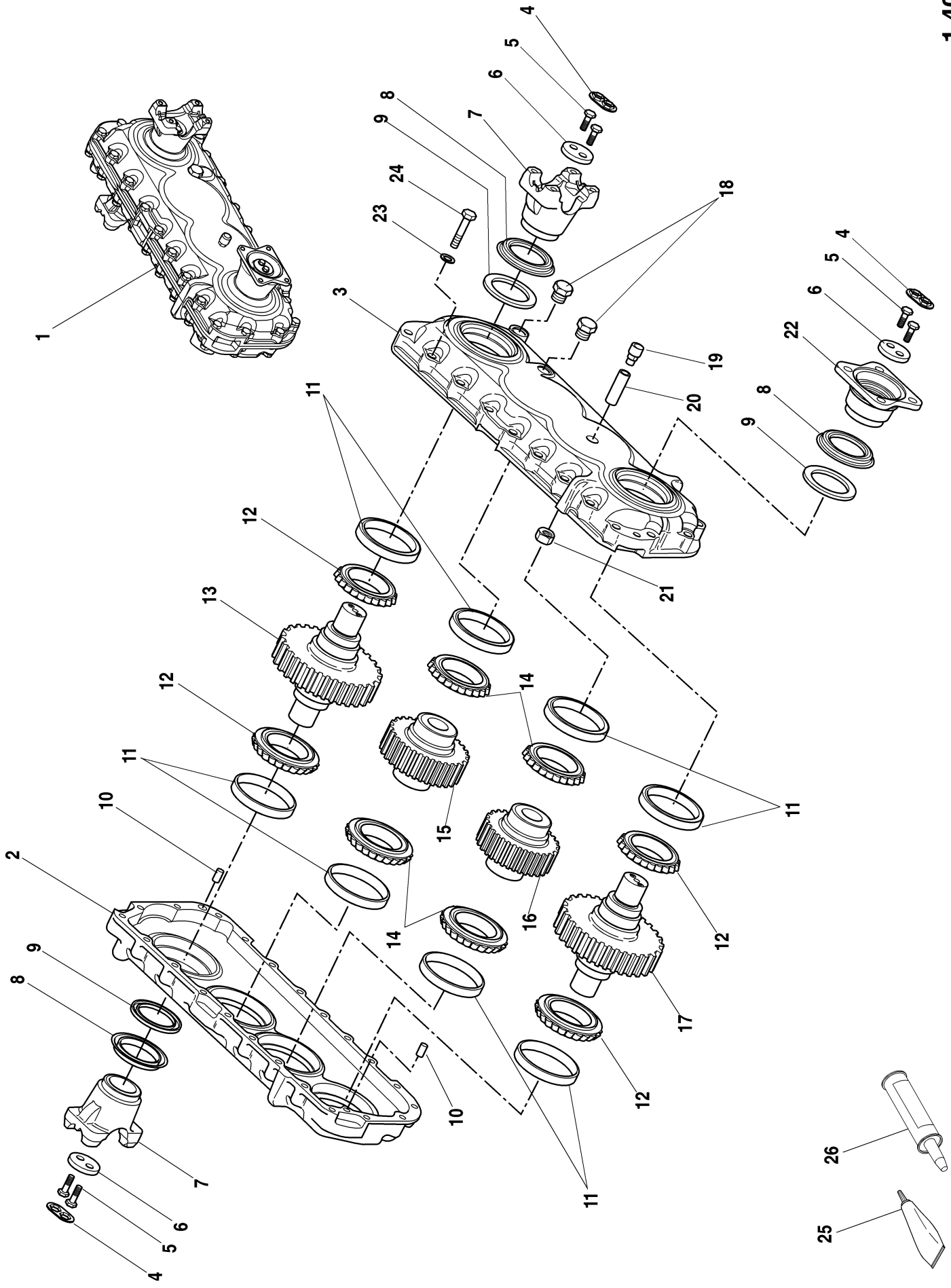
Origin
05/01

S/N 14409-

4270H
4270L
4290H
4290L

TRANSMISSION OIL COOLER ASSEMBLY

1.38.1



ITEM PART NO. QTY. DESCRIPTION

1	8841041	1	Transfer Box Assembly (Includes items 2 thru 24)
2	1320760	1	Housing, Front Half
3	1320989	1	Housing, Rear Half
4	1319649	3	Washer, Tab
5	10731959	6	HHCS, M8 x 25mm
6	1319648	3	Washer, Flange
7	1320756	2	Yoke
8	1319647	3	Shield, Dust
9	1320755	3	Seal, Shaft
10	1320761	2	Dowel, M10 x 24mm
11	1320748	8	Cup, Tapered Roller Bearing
12	1320753	4	Cone, Tapered Roller Bearing
13	1320752	1	Gear, Output 39T
14	1320754	4	Cone, Tapered Roller Bearing
15	1320751	1	Gear, Idle 31T
16	1320750	1	Gear, Idle 28T
17	1320749	1	Gear, Input 36T
18	1320759	2	Plug, Oil 7/8-14
19	1320764	1	Breather, M10 x 1mm
20	1320762	1	Carrier, Breather
21	1320763	1	Nut, Hex M16
22	1320765	1	Flange, Companion
23	1320757	22	Washer, Elastic
24	1320758	22	HHCS, M10 x 60mm
25	8526052	A/R	Thread locker, Loctite #277 (10ml) .34 fl. oz.
26	8526056	A/R	Gasket Eliminator, Loctite #518

NOTES:

See Page 1.1.1 for connecting and mounting hardware

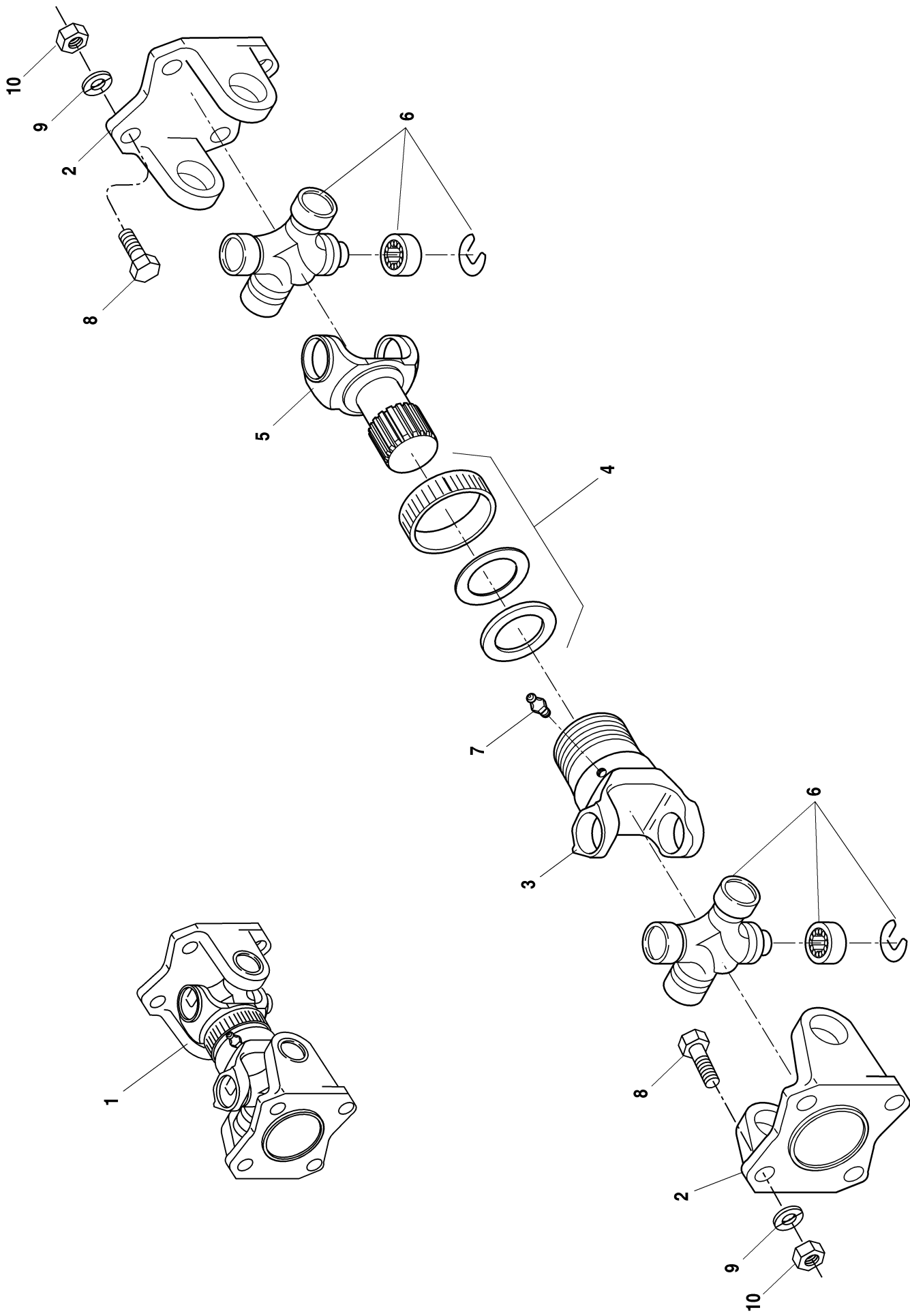
Origin
05/01

4270H
4270L
4290H
4290L

S/N 14409-

TRANSFER BOX

1.40.1



ITEM PART NO. QTY. DESCRIPTION

1	7138760	1	Drive Shaft Assembly - Transmission to Transfer (Includes Items 2 thru 7)
2	① N.S.S	1	Flange, Yoke
3	① N.S.S	1	Yoke, Slip
4	8035779	1	Kit, Dust Cap
5	① N.S.S	1	Shaft, Yoke
6	8035778	2	Kit, Cross & Bearing
7	8033004	1	Fitting, Grease
8	8310084	8	HHCS, 1/2-20 NF x 2.00"
9	8307007	8	Washer, Lock 1/2"
10	8310464	8	Nut, Hex 1/2-20 NF

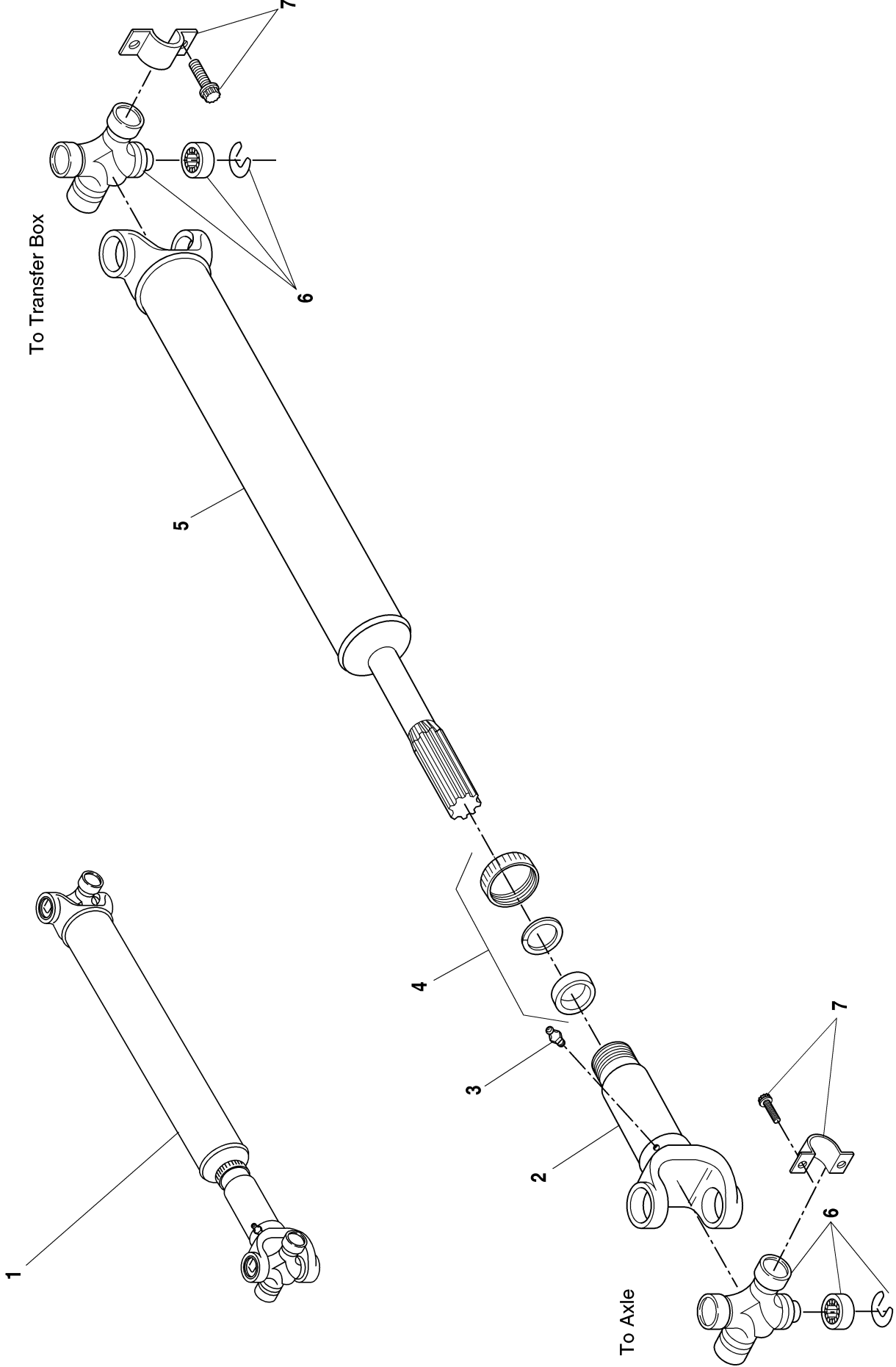
N.S.S. = Not Sold Separately

NOTES:

- ① This is a Balanced Assembly. When Servicing Slip Yoke, Yoke Shaft or Yoke Flange, Order P/N 7138760

S/N 14409-

DRIVE SHAFT - TRANSMISSION TO TRANSFER BOX 1.41.1



ITEM PART NO. QTY. DESCRIPTION

1	7135912	1	Drive Shaft Assembly - Front (Includes Items 2 thru 6)
2	① N.S.S	1	Yoke, Slip
3	8033004	1	Fitting, Grease
4	8035109	1	Kit, Dust Cap
5	① N.S.S	1	Shaft, Yoke
6	8035778	2	Kit, Cross & Bearing
7	8880218	4	Kit, Strap

N.S.S. = Not Sold Separately

NOTES:

- ① This is a Balanced Assembly. When Servicing Slip Yoke, Yoke Shaft or Yoke Flange, Order P/N 7135912

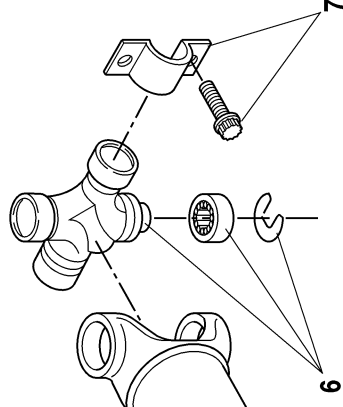
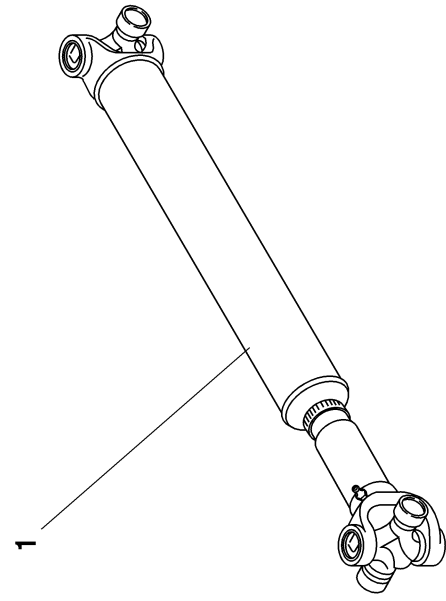
Origin
05/01

4270H
4270L
4290H
4290L

S/N 14409-

DRIVE SHAFT - TRANSFER BOX TO FRONT AXLE 1.42.1

To Transfer Box



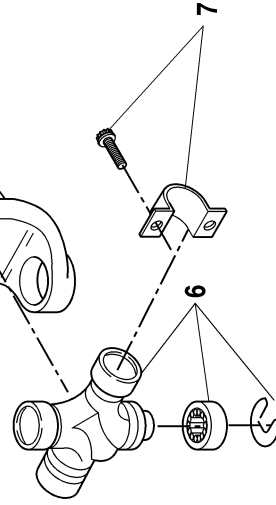
5

4

3

2

To Axle



ITEM PART NO. QTY. DESCRIPTION

1	7135922	1	Drive Shaft Assembly - Rear (Includes Items 2 thru 6)
2	① N.S.S	1	Yoke, Slip
3	8033004	1	Fitting, Grease
4	8035109	1	Kit, Dust Cap
5	① N.S.S	1	Shaft, Yoke
6	8035778	2	Kit, Cross & Bearing
7	8880218	4	Kit, Strap

N.S.S. = Not Sold Separately

NOTES:

- ① This is a Balanced Assembly. When Servicing Slip Yoke, Yoke Shaft or Yoke Flange, Order P/N 7135922

Origin
05/01

4270H
4270L
4290H
4290L

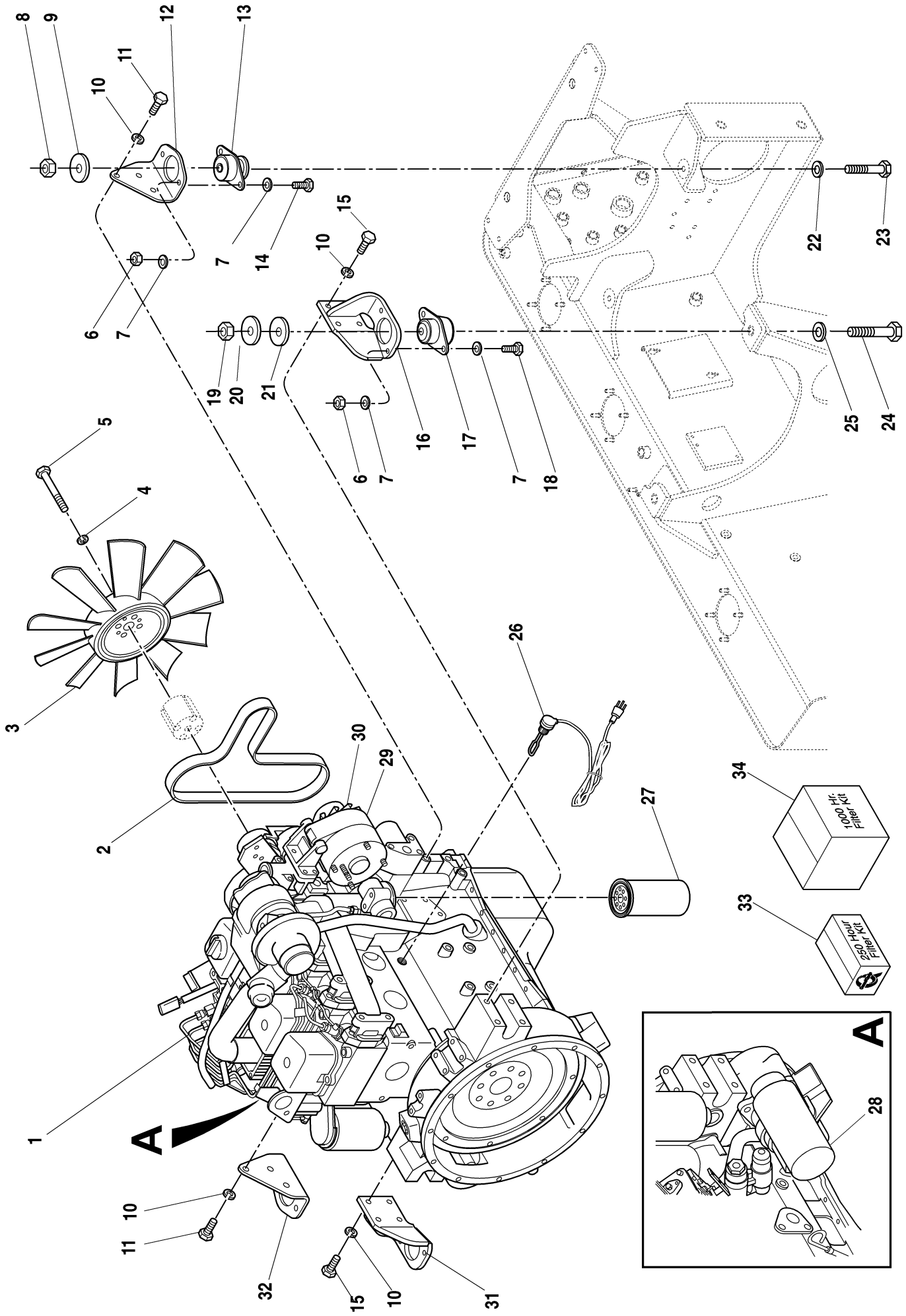
S/N 14409-

DRIVE SHAFT - TRANSFER BOX TO REAR AXLE 1.43.1

TABLE OF CONTENTS

Section 2 — Engine, Radiator and Fuel System

Engine Mounting	2.1.1
Radiator and Oil Cooler Mounting	2.2.1
Exhaust System	2.3.1
Air Cleaner Assembly	2.4.1
Fuel System	2.5.1
Throttle Group Assembly	2.6.1



ITEM PART NO. QTY. DESCRIPTION

1	8262150	1	Engine, Cummins 4BT 3.9 Turbo
2	8035100	1	Belt, Fan
3	8272017	1	Fan, 18" Suction
4	8307023	4	Washer, Lock M10
5	8310424	4	HHCS, M8-1,5 x 90mm
6	8305645	8	Nut, Hex Lock Elastic 3/8-16
7	8307110	16	Washer, Flat 3/8" Narrow
8	8310109	2	Nut, Hex Lock Elastic 7/16-14
9	7121951	2	Washer, Rebound 7/16"
10	8307025	14	Washer, Lock M12
11	8303790	6	HHCS, M12-1,75 x 30mm PC 8,8
12	7127562	1	Mount, Engine, Rear Left Side
13	8278021	2	Isolator, Engine
14	8303675	2	HHCS, 3/8-16 x 1-1/4" Gr. 5
15	8310164	8	HHCS, M12-1,75 x 40mm PC 8,8
16	7127492	1	Mount, Engine, Front Left Side
17	8278028	2	Isolator, Engine
18	8303621	4	HHCS, 3/8-16 x 1-1/2" Gr. 5
19	8305643	2	Nut, Hex Lock Elastic 5/8-11
20	7132141	2	Washer, Rebound 5/8"
21	8278030	2	Washer, Snubbing
22	8307113	2	Washer, Flat 7/16" Narrow
23	8310289	2	HHCS, 7/16-14 x 3-1/4" Gr. 8
24	8310333	2	HHCS, 5/8-11 x 4" Gr. 8
25	8307107	2	Washer, Flat 5/8" Narrow
26	8277161	1	Heater, Coolant
27	8320262	1	Filter, Engine Oil (Also Included In Kits, Items 33 & 34)
28	8035278	1	Starter
29	8270221	1	Alternator, 65 Amp
30	8270220	1	Fan, Alternator
31	7127462	1	Mount, Engine, Front Right Side
32	7127552	1	Mount, Engine, Rear Right Side

33	7138288	1	KITS 250 Hour Filter Kit (Includes 2 Filters: Engine Oil Filter & Fuel Filter)
34	7139238	1	1000 Hour Filter Kit (Includes 6 Filters: Engine Oil Filter, Fuel Filter, Both Air Filters, Transmission Oil Filter & Hydraulic Oil Filter)

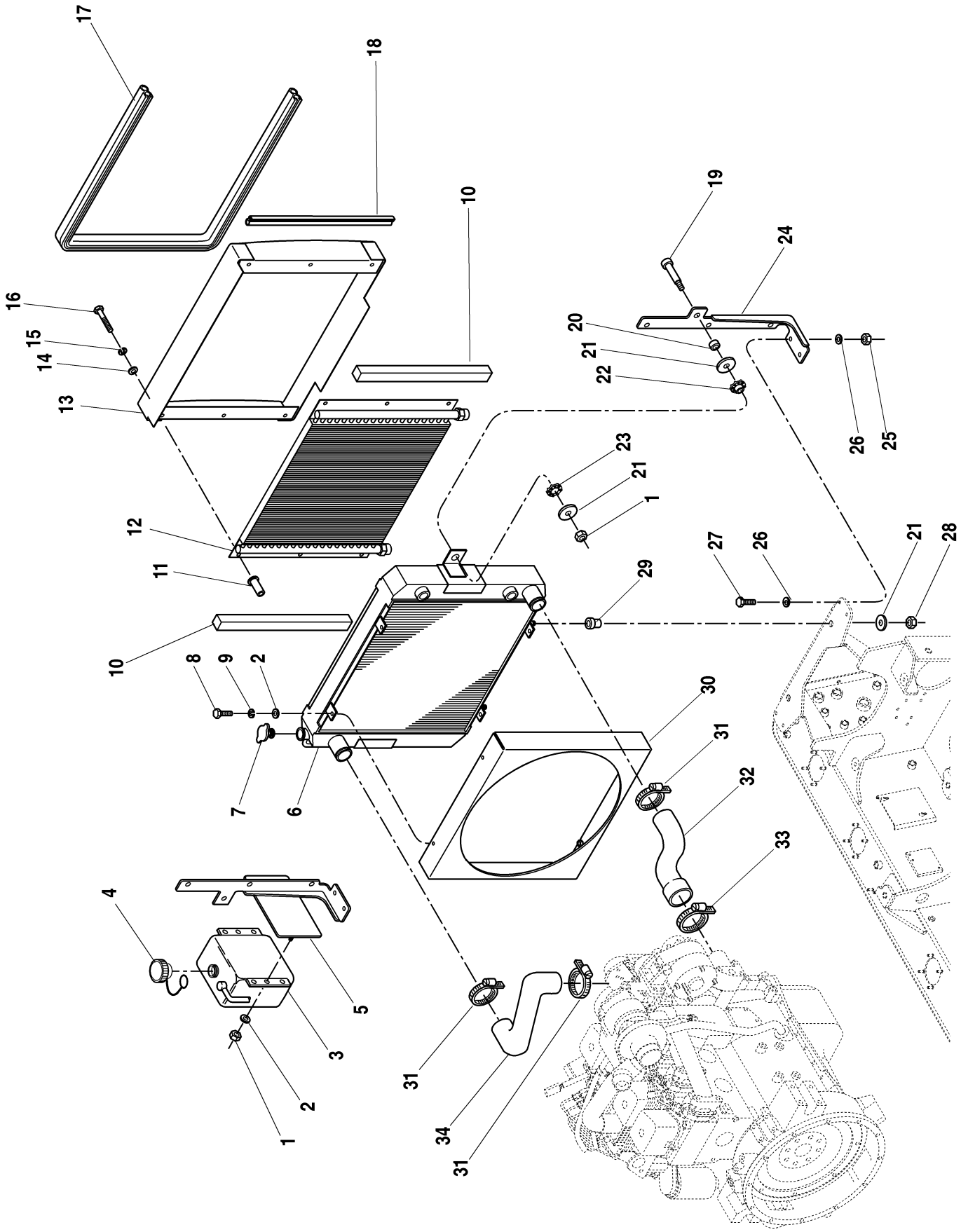
Origin
05/01

4270H
4270L
4290H
4290L

S/N 14409-

ENGINE MOUNTING

2.1.1



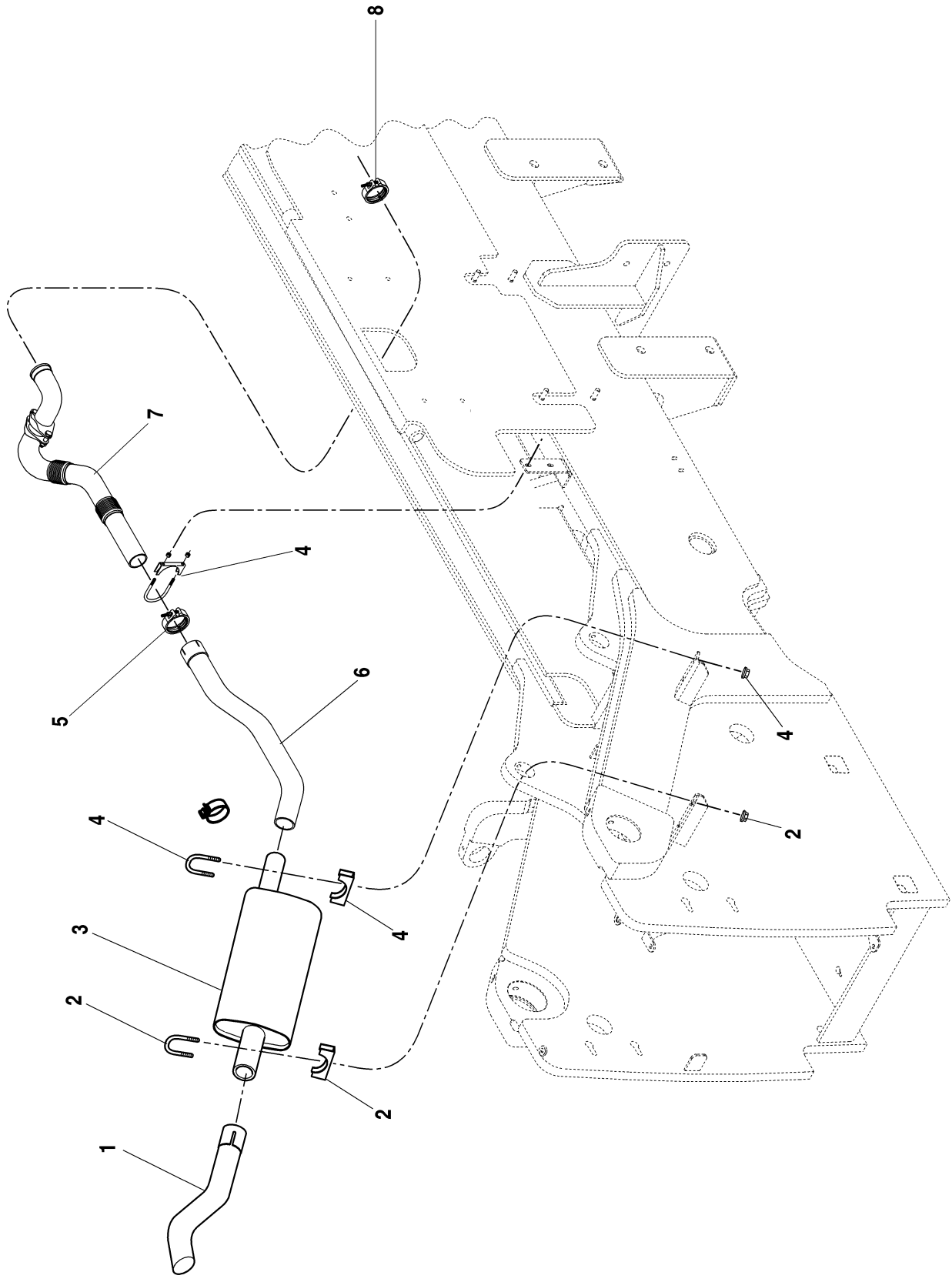
ITEM PART NO. QTY. DESCRIPTION

1	8305626	4	Nut, Hex Lock Elastic 5/16-18
2	8307106	6	Washer, Flat 5/16" Narrow
3	7085422	1	Tank, Overflow 3 Qt. (Includes Item 4)
4	8866341	1	Cap w/Tether
5	7138231	1	Bracket Assembly, Radiator Right Side
6	7138224	1	Radiator Assembly (Includes Item 7)
7	8180311	1	Cap, Radiator - 13 psi (89,6 kpa)
8	8303697	4	HHCS, 5/16-18 x 3/4" Gr. 5
9	8307004	4	Washer, Lock 5/16"
10	7132012	2	Baffle, Foam
11	8580420	6	Nut, Well
12	7129973	1	Cooler, Oil (See Page 6.2.1 for Hose Connection)
13	7138242	1	Baffle Assembly, Radiator
14	8307202	6	Washer, Flat 1/4" Wide
15	8307002	6	Washer, Lock 1/4"
16	8303743	6	HHCS, 1/4-20 x 1-1/2"
17	7131952	1	Seal Bulb
18	7132002	1	Moulding, Seal Bulb
19	8310104	2	Bolt, Shoulder, Socket Hd. 3/8 x 1-1/2 x 5/16-18
20	7130131	2	Spacer
21	7057141	4	Washer, Rebound 3/8"
22	8278023	2	Bushing, Radiator Mount
23	8278024	2	Ring, Radiator Mount
24	7138230	1	Bracket, Radiator Left Side
25	8305645	4	Nut, Hex Lock Elastic 3/8-16
26	8307204	8	Washer, Flat 3/8" Wide
27	8303621	4	HHCS, 3/8-16 x 1-1/2" Gr. 5
28	8305603	2	Nut, Hex Lock 3/8-16
29	8278008	2	Mount, Rubber
30	7131253	1	Shroud, Radiator
31	8405104	3	Clamp, Radiator Hose
32	7138515	1	Hose, Radiator, Return
33	8405203	1	Clamp, Radiator Hose
34	7126703	1	Hose, Radiator, Input

S/N 14409-

RADIATOR AND OIL COOLER MOUNTING

2.2.1



ITEM PART NO. QTY. DESCRIPTION

1	7138686	1	Tail Pipe
2	8275247	1	Clamp, Muffler 3", Heavy Duty
3	8275040	1	Muffler
4	8275212	2	Clamp, Muffler 2-1/2", U-Type
5	8275249	1	Clamp, Accuseal, 2 1/2"
6	7139461	1	Pipe, Exhaust
7	7139460	1	Pipe, Exhaust, Turbo Outlet
8	8275240	1	Clamp, V-Band

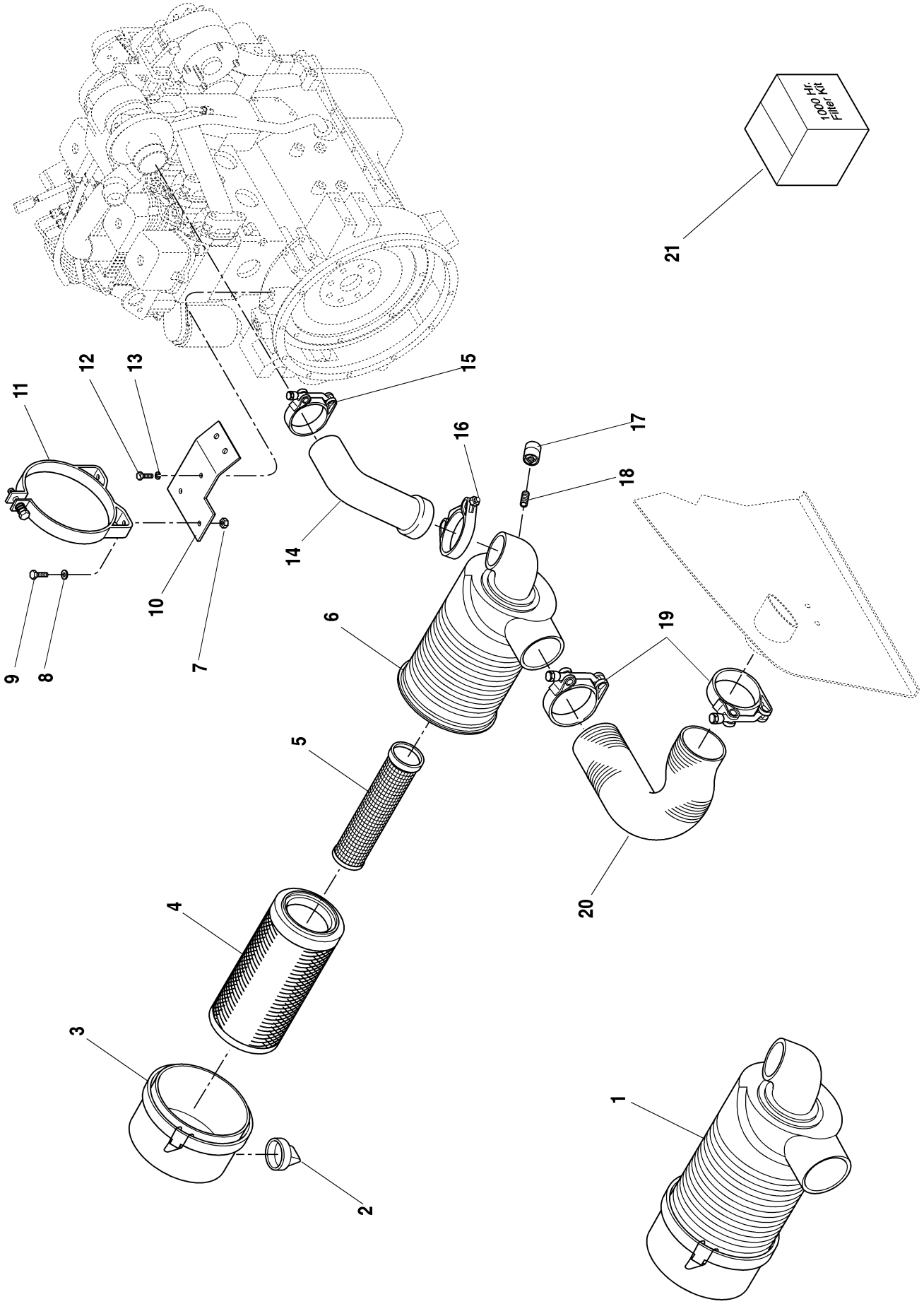
Origin
05/01

S/N 14409-

4270H
4270L
4290H
4290L

EXHAUST SYSTEM

2.3.1



ITEM PART NO. QTY. DESCRIPTION

1	8273022	1	Air Cleaner Assembly (Includes Items 2 thru 6)
2	8032398	1	Valve, Vacuator
3	8035279	1	Cover Assembly
4	8035098	1	Filter, Primary (Also Included In Kit, Item 21)
5	8035099	1	Filter, Safety (Also Included In Kit, Item 21)
6	N.S.S.	1	Body Assembly
7	8305626	2	Nut, Hex Lock Elastic 5/16-18
8	8307106	2	Washer, Flat 5/16" Narrow
9	8303670	2	HHCS, 5/16-18 x 1"
10	7138249	1	Plate, Air Cleaner Mount
11	8273297	1	Band Assembly, Air Cleaner Mount
12	8303675	3	HHCS, 3/8-16 x 1-1/4" Gr. 5
13	8307005	3	Washer, Lock 3/8"
14	7126833	1	Hose, Air Cleaner
15	8405306	1	Clamp, T-Bolt
16	8405307	1	Clamp, T-Bolt, Heavy Duty
17	8223527	1	Switch, Vacuum
18	8551001	1	Nipple, Close, 1/8" NPT
19	8405404	2	Clamp, T-Bolt
20	7138695		Hose, Air Intake

KITS

21	7139238	1	1000 Hour Filter Kit (Includes 6 Filters: Engine Oil Filter, Fuel Filter, Both Air Filters, Transmission Oil Filter & Hydraulic Oil Filter)
----	---------	---	---

N.S.S. = Not Sold Separately

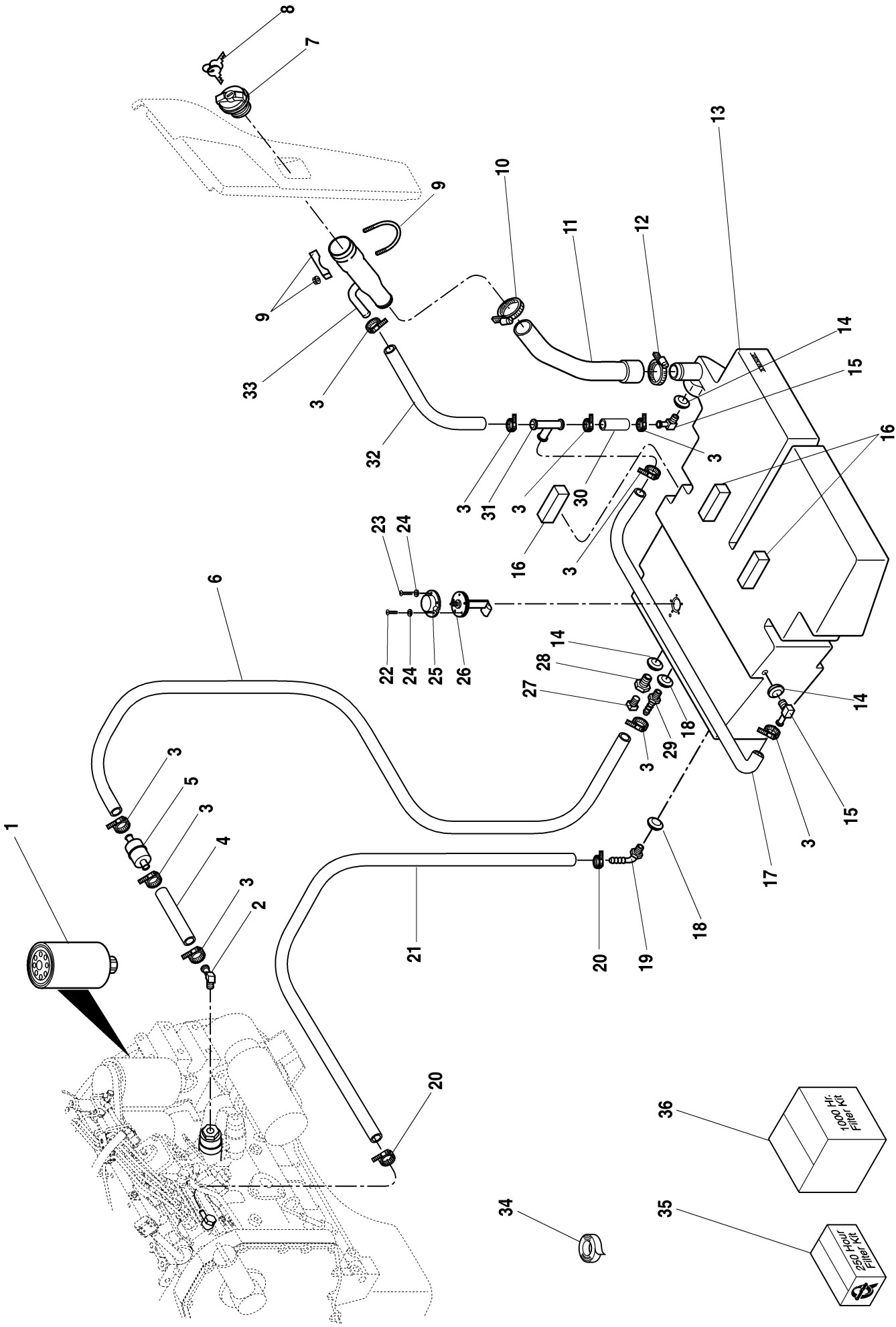
Origin
05/01

4270H
4270L
4290H
4290L

S/N 14409-

AIR CLEANER ASSEMBLY

2.4.1



ITEM PART NO. QTY. DESCRIPTION

1	8320270	1	Filter, Fuel (Also Included In Filter Kits, Items 35 & 36)
2	8420229	1	Hose Fitting, Elbow, 90°, Barbed, SAE 6-4P ❶
3	8410013	10	Clamp, Hose
4	7132131	1	Hose, Fuel 3/8 x 10"
5	8274022	1	Strainer, Fuel
6	7138850	1	Hose, Fuel 3/8" I.D. (Fuel Supply From Tank)
7	8322036	1	Cap, Fuel w/Keys (Includes Item 8)
8	8035292	1	Keys (Set of Two)
9	8275209	1	Clamp, Muffler, U Type 2"
10	8405104	1	Clamp, Hose, Upper SAE Type F
11	7129133	1	Hose, Fuel Filler
12	8405202	1	Clamp, Hose, Lower SAE Type F
13	7138736	1	Tank, Fuel
14	8660011	3	Grommet, 5/8 Fitting
15	8430095	2	Elbow, 5/8" Hose ❶
16	5724742	3	Gasket
17	7129121	1	Hose, Fuel Breather
18	8660010	2	Grommet, 3/8 Fitting
19	8430094	1	Elbow, 5/16" Hose ❶
20	8405009	2	Clamp, Hose, Miniature 7/32" Dia.
21	7132111	1	Hose, Fuel Return
22	8303836	1	Screw, Pan Hd. #10-24 x 5/8"
23	8303837	4	Screw, Pan Hd. #10-24 x 3/4"
24	8307003	5	Washer, Lock #10
25	7131992	1	Cover, Fuel Sender
26	7120613	1	Sender, Fuel w/Gasket
27	8541404	1	Plug, Pipe, Sq. Hd. - 3/8" NPT ❶
28	8430092	1	Drain, Hex 3/8-18 NPT
29	8430093	1	Connector, 3/8" Hose ❶
30	7129111	1	Hose, Fuel Breather
31	8430072	1	Hose Fitting, Tee, Beaded, SAE 10
32	7129101	1	Hose, Fuel Breather
33	7128602	1	Filler, Fuel
34	8526053	A/R	Sealant, Thread, Teflon Tape 1/2"

Origin
05/01

35	7138288	1	KITS 250 Hour Filter Kit (Includes 2 Filters: Engine Oil Filter & Fuel Filter)
36	7139238	1	1000 Hour Filter Kit (Includes 6 Filters: Engine Oil Filter, Fuel Filter, Both Air Filters, Transmission Oil Filter & Hydraulic Oil Filter)

NOTES:

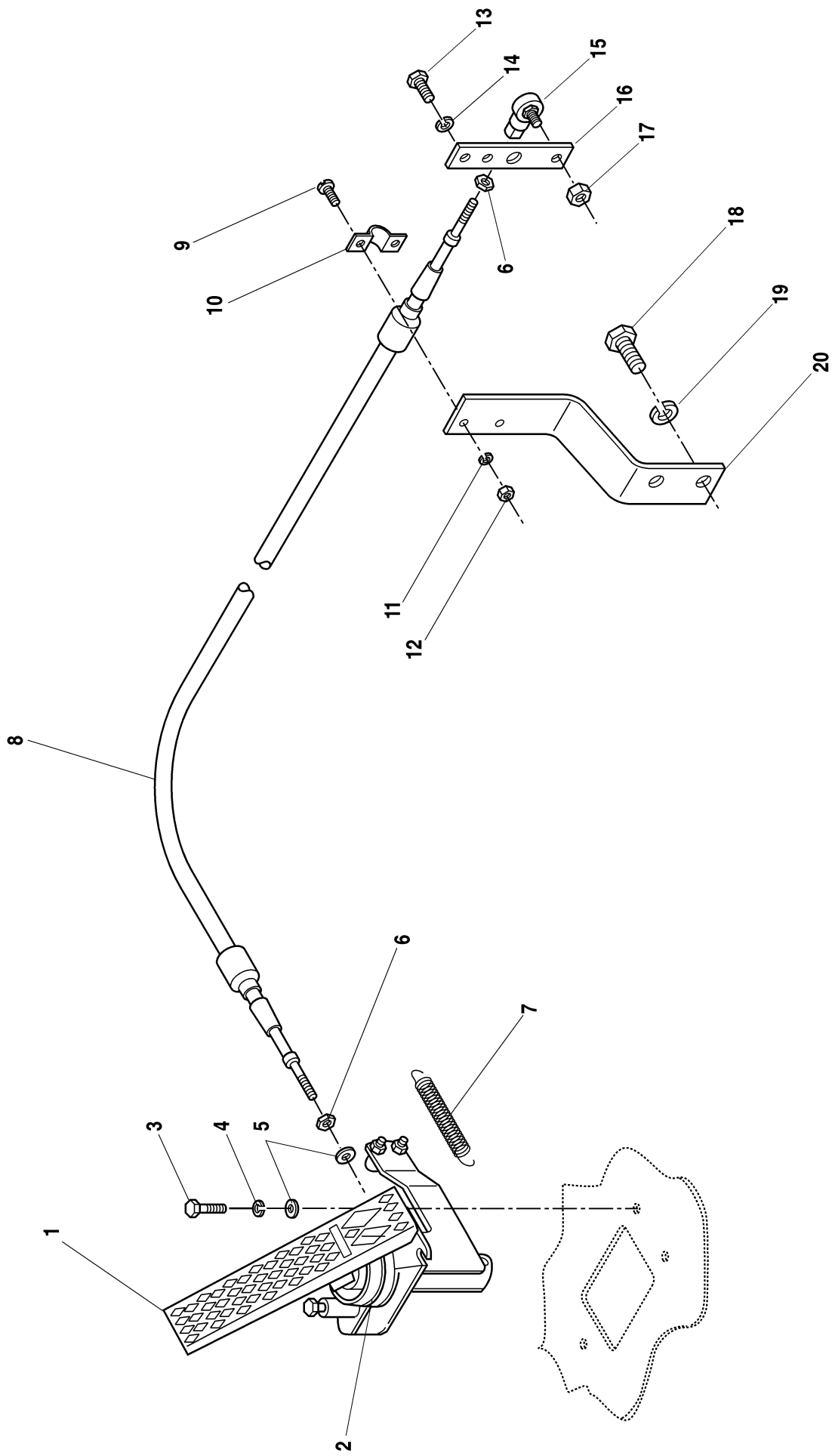
- ❶ Item 34 P/N 8526053 to be used with all Threaded Pipe Fittings.

S/N 14409-

FUEL SYSTEM

2.5.1

4270H
4270L
4290H
4290L



ITEM PART NO. QTY. DESCRIPTION

1	8162003	1	Pedal, Throttle (Includes Item 2)
2	8033178	1	Bellows, Throttle Pedal
3	8303615	3	HHCS, 1/4-20 x 1-1/4"
4	8307002	2	Washer, Lock 1/4"
5	8307109	4	Washer, Flat SAE 1/4"
6	8305402	2	Nut, Hex Jam 1/4-28 NF
7	8700116	1	Spring, Extension
8	8160073	1	Cable, Throttle
9	8303837	2	Screw, Slotted Pan Hd. #10-24 x 3/4"
10	8160610	1	Clamp, Cable
11	8307003	2	Washer, Lock #10
12	8305002	2	Nut, Hex #10-24
13	8303799	2	HHCS, M6-1 x 14mm
14	8307024	2	Washer, Lock M6
15	8340034	1	Rod End 1/4-28 Thd.
16	7127091	1	Extension, Throttle Lever
17	8305650	1	Nut, Hex Lock Elastic 1/4-28 NF
18	8303790	2	HHCS, M12-1,75 x 30mm PC 8,8
19	8307025	2	Washer, Lock M12
20	7127102	1	Bracket, Throttle Cable

Origin
05/01

4270H
4270L
4290H
4290L

S/N 14409-

THROTTLE GROUP ASSEMBLY

2.6.1

TABLE OF CONTENTS

Section 3 — Frame and Operator's Compartment

Main Frame Assembly 3.1.1
Engine Hood and Covers 3.2.1

Operator's Compartment

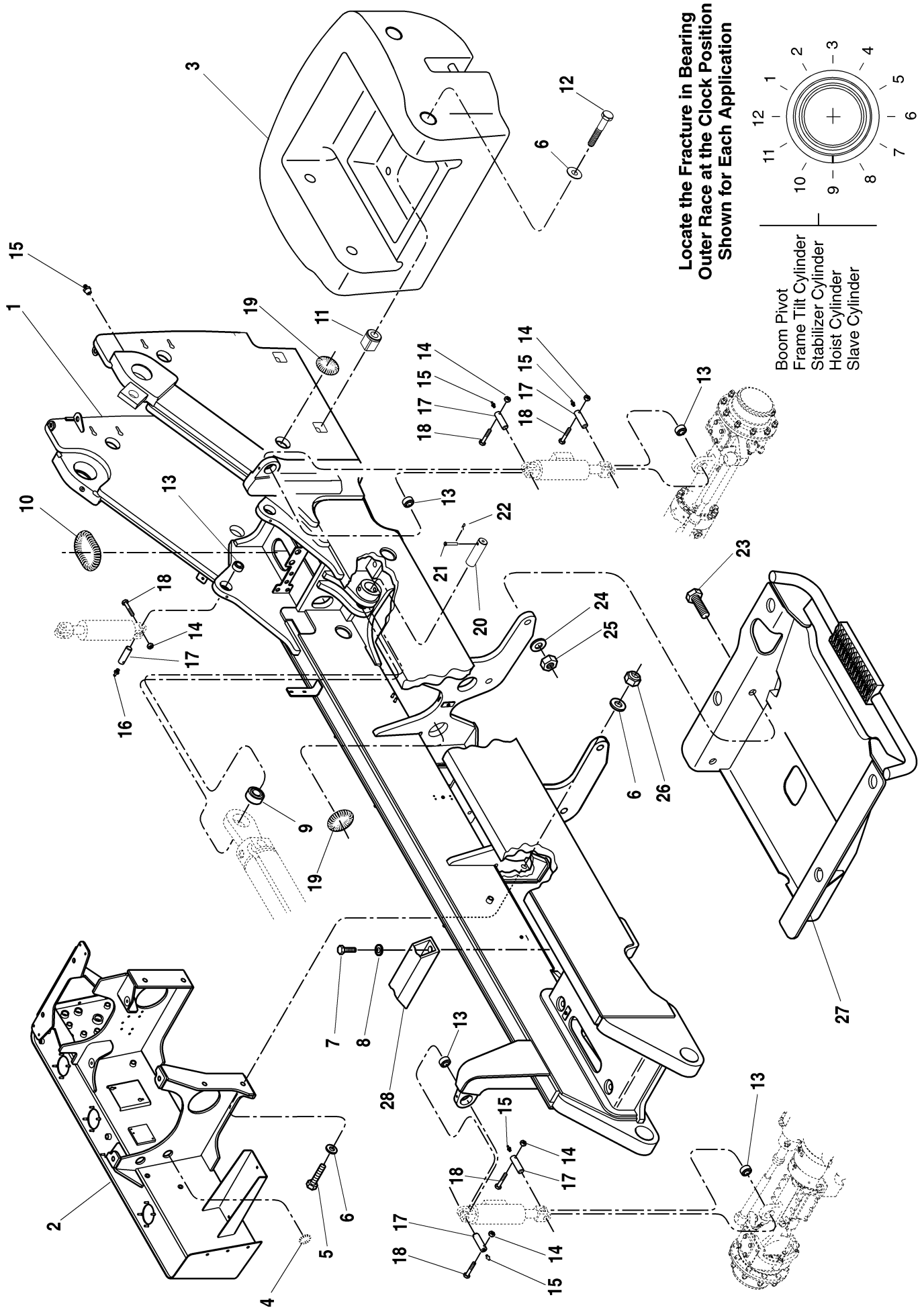
Operator's Protective Structure - ROPS/FOPS 3.3.1
Steering Column and Shifter Assembly 3.4.1
Operator's Seat and Seat Belt 3.5.1
Suspension Seat. 3.6.1
Mirrors. 3.7.1

Open Cab

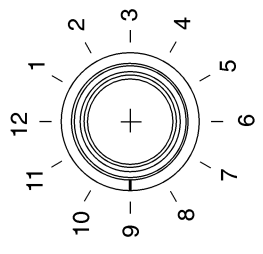
Outer Panels - Open Cab 3.8.1
Inner Console and Dash Panel - Open Cab 3.9.1

Enclosed Cab

Outer Panels - Enclosed Cab 3.10.1
Inner Console and Dash Panel - Enclosed Cab 3.11.1
Glass - Enclosed Cab 3.12.1
Door Assembly 3.13.1
Rear Window and Wiper Assemblies. 3.14.1
Front Windshield Wiper Assembly 3.15.1
Skylight Wiper Assembly 3.16.1
Heater Assembly - Enclosed Cab. 3.17.1
Heater Hoses and Vents - Enclosed Cab 3.18.1



Locate the Fracture in Bearing
Outer Race at the Clock Position
Shown for Each Application



- Boom Pivot
- Frame Tilt Cylinder
- Stabilizer Cylinder
- Hoist Cylinder
- Slave Cylinder

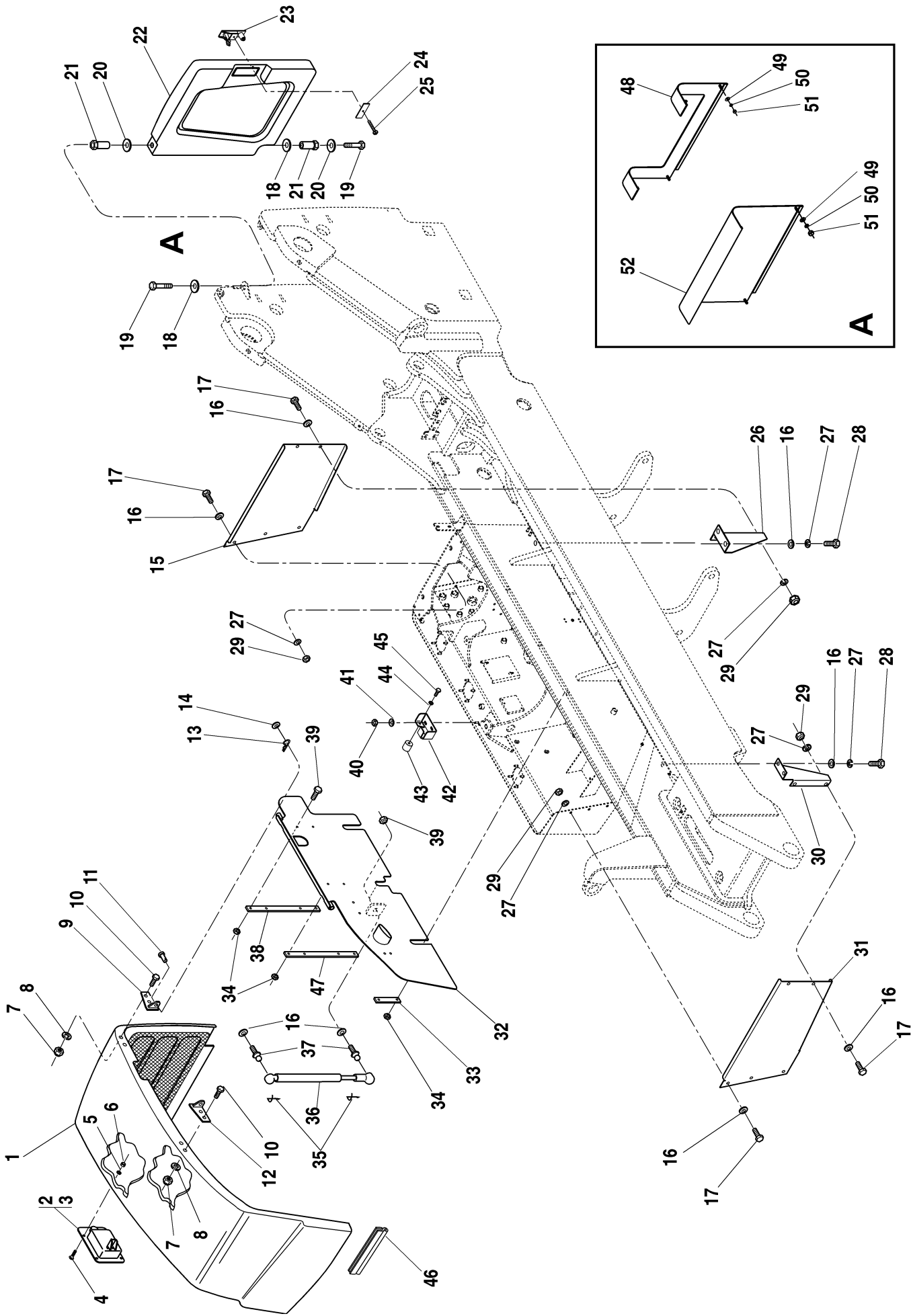
ITEM PART NO. QTY. DESCRIPTION

1	Call Factory	1	Frame, Main
2	7137164	1	Hydraulic Reservoir/Engine Mount
3	7139297	1	Counterweight, 4270 (2800 lbs.)
	7138620	1	Counterweight, 4290 (4200 lbs.) (Not Shown)
4	7124331	A/R	Conduit 1/2" Dia. (60" Cut to Fit)
5	8303538	4	HHCS, 1"-8 x 3" Gr. 8
6	8310061	12	Washer, 1" Hardened
7	8303693	2	HHCS, 1/2"-13 x 2-1/2"
8	8307112	2	Washer, Flat 1/2"
9	8050007	1	Bearing, Self Align
10	7139248	A/R	Conduit 3/4" Dia (60" Cut to Fit)
11	7139335	4	Bushing
12	8310090	4	HHCS, 1"-8 x 7" Gr. 8
13	8050001	6	Bearing, Self Align 1-1/2" I.D.
14	8305626	6	Nut, Hex Lock 5/16"-18
15	8520001	4	Fitting, Lube 1/8"
16	8520003	2	Fitting, Lube 90°
17	7137142	6	Pin, Cylinder
18	8303752	6	HHCS, 5/16"-18 x 3-1/2"
19	7139249	A/R	Conduit 1" Dia. (60" Cut to Fit)
20	7139324	1	Pin, Hoist Cylinder
21	7139502	1	Pin, Clevis, Hoist Keeper
22	8130211	1	Hair Pin (Cotter) .143
23	8310285	4	HHCS, 1 "-8 x 3" Gr. 8
24	8307211	4	Washer, Flat 1-1/4"
25	8310417	4	Nut, Hex Lock 1-1/4"
26	8310481	4	Nut, Hex Lock 1"
27	7136794	1	Mount, Cab
28	5752022	1	Bumper

S/N 14409-

MAIN FRAME ASSEMBLY

3.1.1

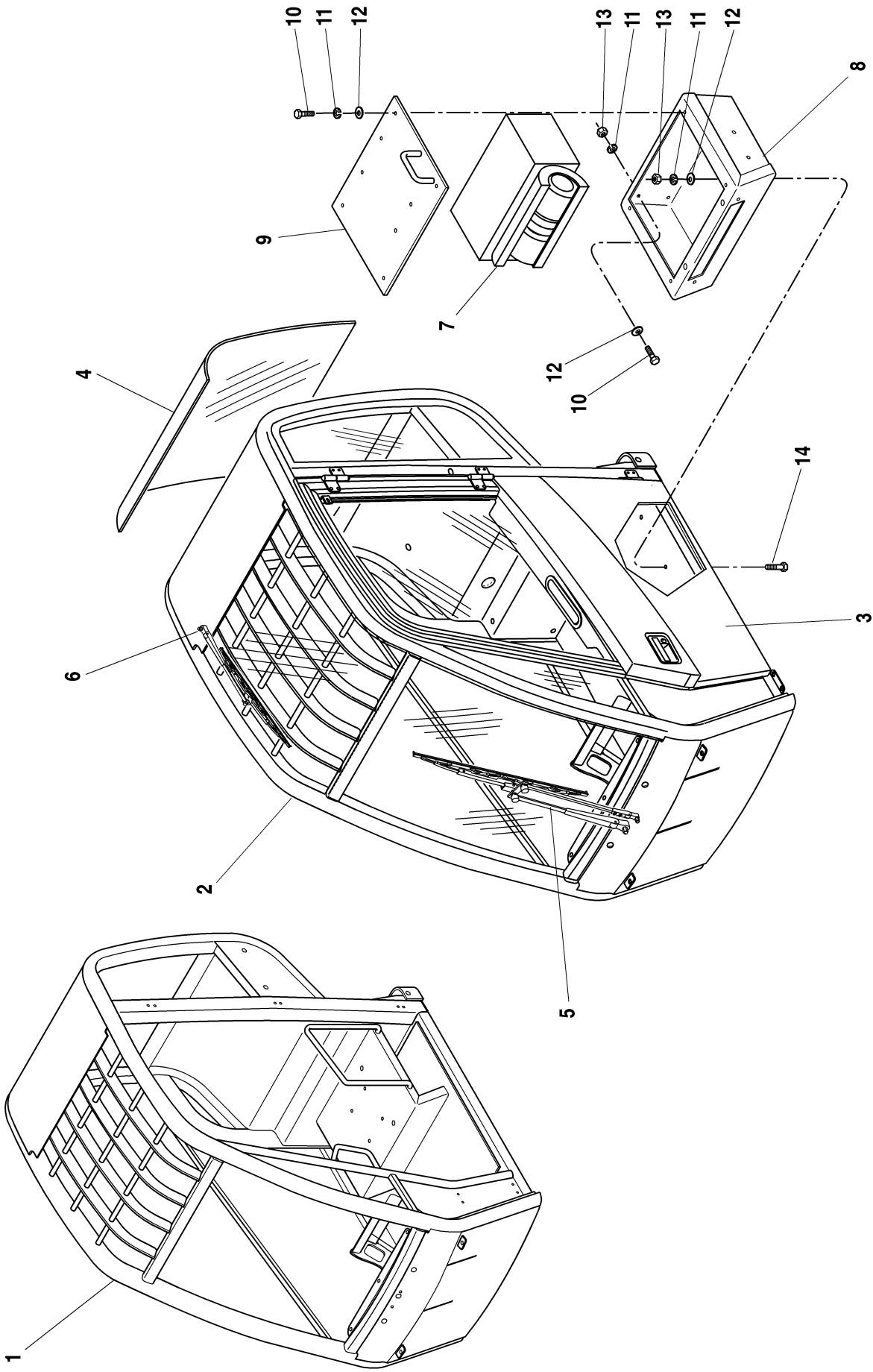


ITEM	PART NO.	QTY.	DESCRIPTION	ITEM	PART NO.	QTY.	DESCRIPTION
1	7139549	1	Hood, Engine (Includes Items 2 thru 6)	37	8340035	4	Ball Stud - 13mm
2	8342425	1	Handle, Outside Door (includes 2 ea. of Item 3)	38	7138342	1	Stiffener, Flat
3	8342808	2	Key, Handle, Outside Door (Not Shown)	39	8303626	6	HHCS, 1/2"-13 x 1-1/2" Gr. 5
4	8310372	4	BHCS, #10-24 x 5/8"	40	8305626	6	Nut, Hex Lock Elastic 5/16"-18
5	8307111	4	Washer, Plain, #10 SAE Narrow	41	8307203	2	Washer, Flat 5/16"
6	8310085	4	Nut, Hex Lock, #10 x 24	42	7138682	1	Bracket, Striker
7	8305624	4	Nut, Hex Lock Elastic 1/4"-20	43	8660012	1	Bumper
8	8307109	4	Washer, Flat SAE Light 1/4"	44	8307005	1	Washer, Lock 3/8"
9	7138265	1	Hinge, Hood - Rear	45	8303681	1	HHCS, 3/8"-16 x 3/4"
10	8303615	4	HHCS, 1/4"-20 x 1-1/4" Gr. 5	46	6620751	1	Moulding, Edge
11	8310334	2	Pin, Clevis 3/8" Dia. x 1 3/8" LG	47	7138682	1	Stiffener, Flat
12	7138264	1	Hinge, Hood - Front	48	7139427	1	Header, High Boom
13	8302470	2	Pin, Cotter	49	8307202	4	Washer, Plain, 1/4"
14	8307110	14	Washer, Flat 3/8" Narrow	50	8307002	4	Washer, Lock, 1/4"
15	7137343	1	Cover, Engine - Rear	51	8305004	4	Nut, Hex, 1/4"-20
16	8307106	14	Washer, Flat 5/16"	52	7139428	1	Header, Low Boom
17	8303670	10	HHCS, 5/16"-18 x 1"				
18	8307112	2	Washer, Flat 1/2" Heavy				
19	8303675	8	HHCS, 3/8"-16 x 1-1/2"				
20	8307204	A/R	Washer, Flat 3/8"				
21	7138280	2	Bushing, Hinge, Rear Cover				
22	7138279	1	Cover, Rear Frame				
23	8342416	1	Latch, Adjustable Trigger				
24	7138321	1	Plate, Latch				
25	8310439	1	Screw, Pan Hd.				
26	7138829	1	Bracket, Cover - Rear				
27	8307004	14	Washer, Lock 5/16"				
28	8303744	4	HHCS, 5/16"-18 x 1/2"				
29	8305906	10	Nut, Retainer 5/16"-18				
30	7138828	1	Bracket, Cover - Front				
31	7137333	1	Cover, Engine - Front				
32	7139551	1	Panel, Engine				
33	7138843	1	Stiffener, Flat				
34	8305644	10	Nut, Hex Lock Elastic 1/2"-13				
35	8702157	4	Spring, Clip				
36	8702160	2	Spring, Gas				

S/N 14409-

ENGINE HOOD AND COVERS

3.2.1



ITEM PART NO. QTY. DESCRIPTION

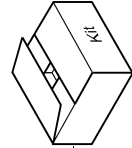
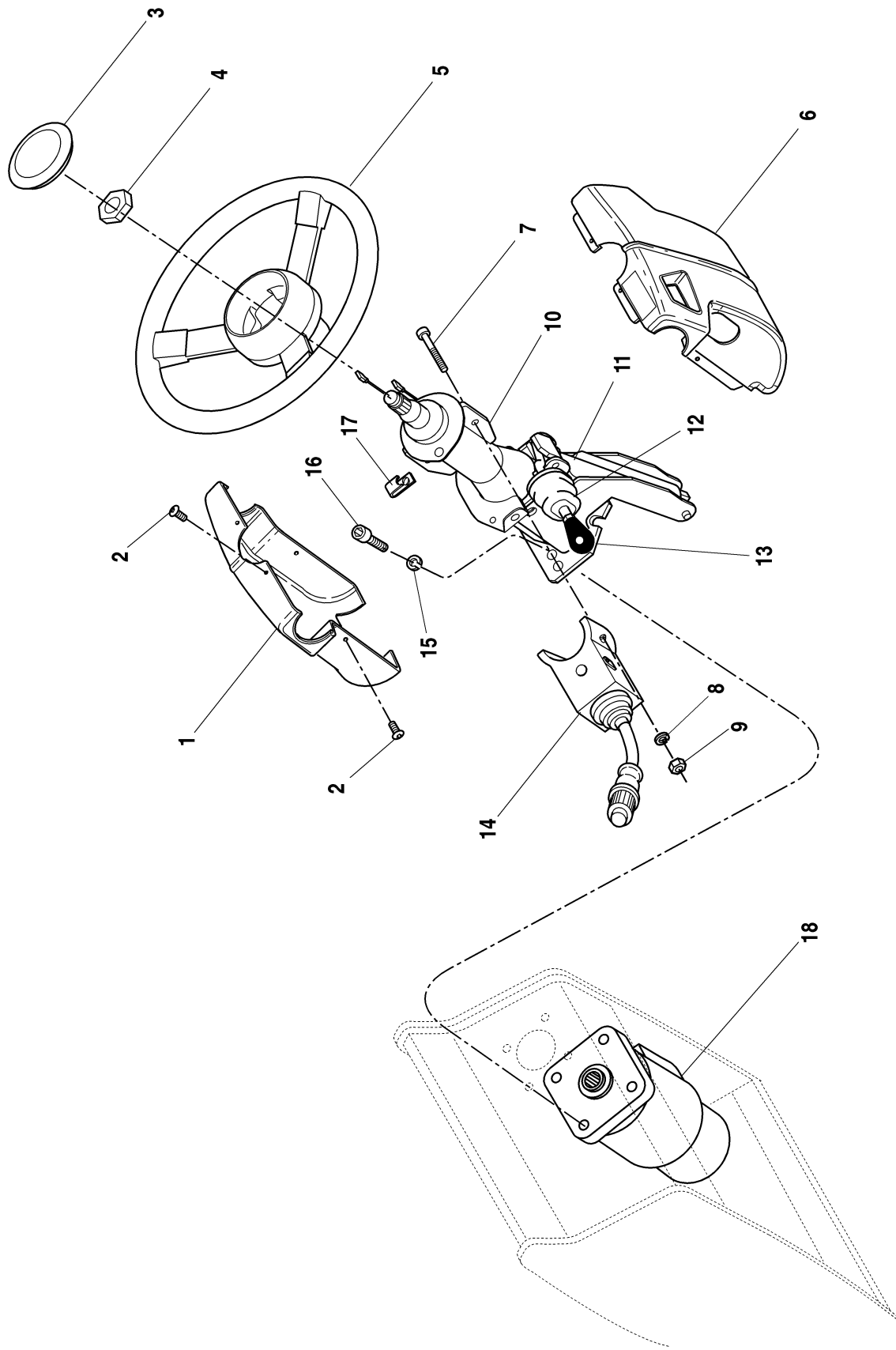
1	7137634	1	Operator's Protective Structure ROPS/FOPS - Open Cab
2	7138124	1	Operator's Protective Structure Assembly ROPS/FOPS - Enclosed Cab (Includes Items 3 thru 14 and all items on Page 3.12.1)
3	8035470	1	Door Assembly (See Page 3.13.1 for Breakdown)
4	8035606	1	Rear Window Assembly (See Page 3.14.1 for Breakdown)
5	8036273	1	Front Windshield Wiper Assembly (See Page 3.15.1 for Breakdown)
6	8036275	1	Skylight Wiper Assembly (See Page 3.16.1 for Breakdown)
7	8036272	1	Heater Assembly (See Page 3.17.1 for Breakdown)
8	8036279	1	Seat Support, Enclosed Cab
9	8036278	1	Cover, Support w/Grab Handle
10	8310525	6	Screw, HHC 3/8"-16 NC x 1" Gr. 8
11	8307005	8	Washer, Lock 3/8"
12	8307110	8	Washer, Plain .375-16 NC x 1" Gr. 2
13	8305008	4	Nut, Hex .375-16 NC
14	8304006	2	Bolt, Carriage 3/8"-16 NC x 1" Gr. 2

Origin
05/01

4270H
4270L
4290H
4290L

S/N 14409-

OPERATOR'S PROTECTIVE STRUCTURE - ROPS/FOPS 3.3.1



19 | 20

ITEM PART NO. QTY. DESCRIPTION

1	7138756	1	Cover, Steering Column, Top (See Kits)
2	8310372	4	Screw, Button Hd. #10-24 x 5/8"
3	8720017	1	Cover, Horn Button
4	8310315	1	Nut, Thin M18-1,5
5	8720016	1	Wheel, Steering
6	7138757	1	Cover, Steering Column, Bottom (See Kits)
7	8310490	2	Screw, Hex Socket Hd. M4-0,7 x 20mm
8	8310491	2	Washer, Plain M4
9	8310492	2	Nut, Hex M4-0,7
10	7137623	1	Steering Column (Includes Items 11 thru 13)
11	8035803	1	Gas Spring - Steering Column
12	8035804	1	Boot, Tilt Lever
13	8580118	1	Knob, Tilt Steering
14	8223049	1	Transmission Range Selector
15	8307005	1	Washer, Lock 3/8"
16	8304672	4	Screw, Hex Socket Hd. 3/8"-16 x 1"
17	8310359	4	Nut, "J" #10-24
18	8721029	1	Steering Orbital

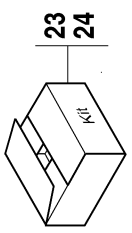
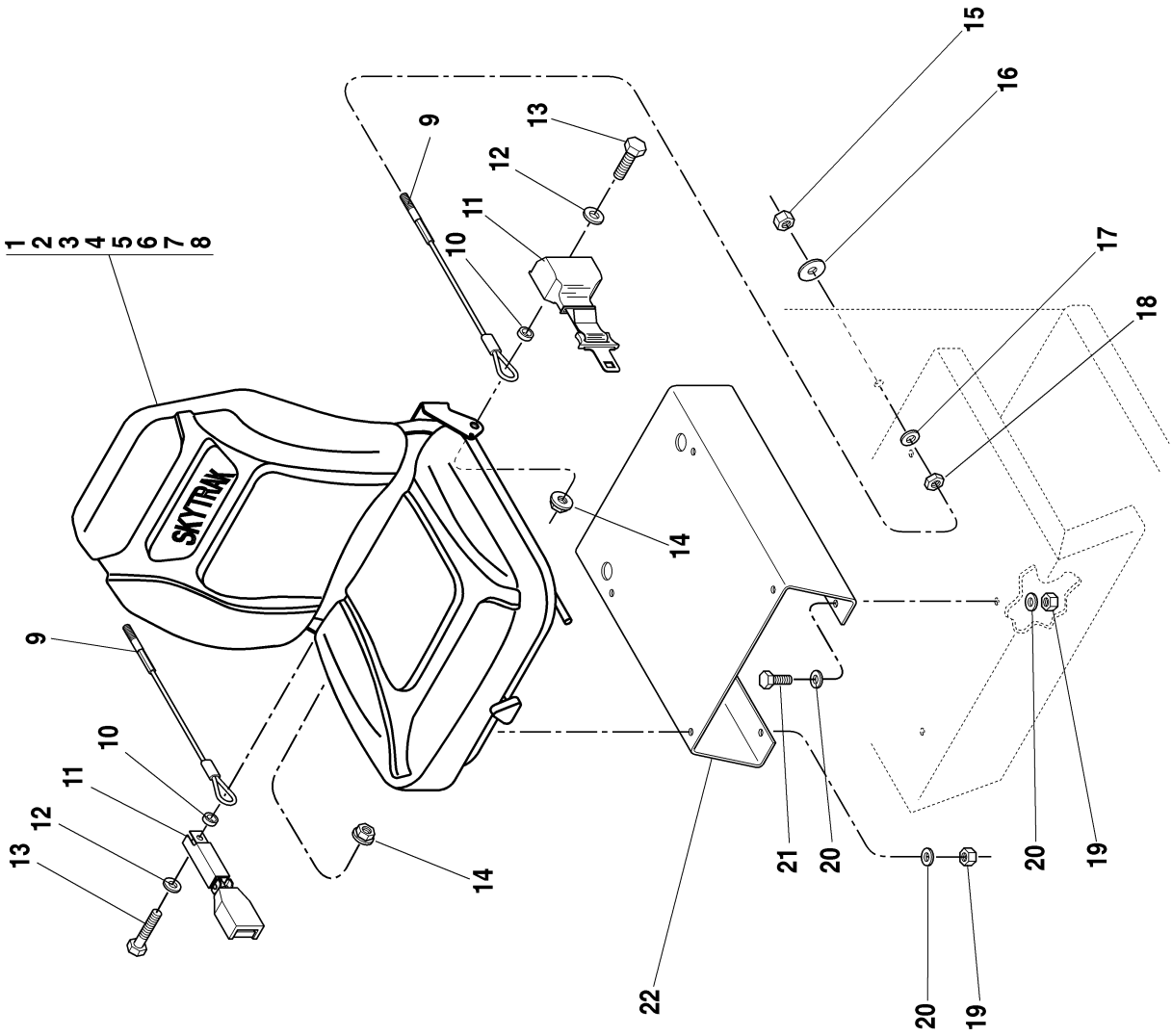
KITS

19	7138844	1	Kit, Cab Panels - Open Cab (Includes Items 1, 6 and additional panels 6, 15, 16, and 28 on Page 3.9.1) (Hardware not Included.)
20	7138846	1	Kit, Cab Panels - Enclosed Cab (Includes Items 1, 6 and additional panels 8, 20, 25, and 27 on Page 3.11.1) (Hardware not Included.)

Origin
05/01

4270H
4270L
4290H
4290L

S/N 14409-



ITEM PART NO. QTY. DESCRIPTION

1	8864053	1	Seat Assembly (Includes Items 2 thru 8)
2	8036009	1	Boot, 60/76mm (Not Shown)
3	8036010	1	Adjuster, 6" (Not Shown)
4	8036011	1	Damper (Not Shown)
5	8036013	1	Rollers, Up Stop Bumper/Down Stop Bumper - 7/16" Dia. (Not Shown)
6	8036014	1	Springs and Cable (Not Shown)
7	8036015	1	Hanger/Knob/Tension Shaft (Not Shown)
8	8036017	1	Cushion/Pan Assembly Kit (Not Shown)
9	7130412	2	Tether
10	7096491	2	Spacer
11	8864057	1	Seat Belt Assembly - 2" Retractable (Includes Items 12, 13, and 14)
12	N.S.S.	2	Washer
13	N.S.S.	2	HHCS
14	N.S.S.	2	Nut, Hex
15	8305645	2	Nut, Hex Lock Elastic 3/8"-16
16	7057141	2	Washer, Rebound
17	8307204	2	Washer, Flat 3/8"
18	8305404	2	Nut, Hex Jam 3/8"-16
19	8305626	8	Nut, Hex Lock Elastic 5/16"-18
20	8307106	12	Washer, Flat 5/16" Narrow
21	8303670	4	HHCS, 5/16"-18 x 1" Gr. 5
22	7121543	1	Support, Seat

KITS

23	8864058	1	Seat Belt Assembly - 3" Retractable (Includes Mounting Hardware)
24	8864019	1	Seat Belt Assembly - 3" Non-Retractable

N.S.S. = Not Sold Separately

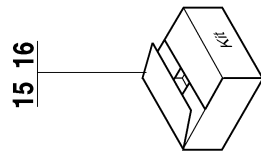
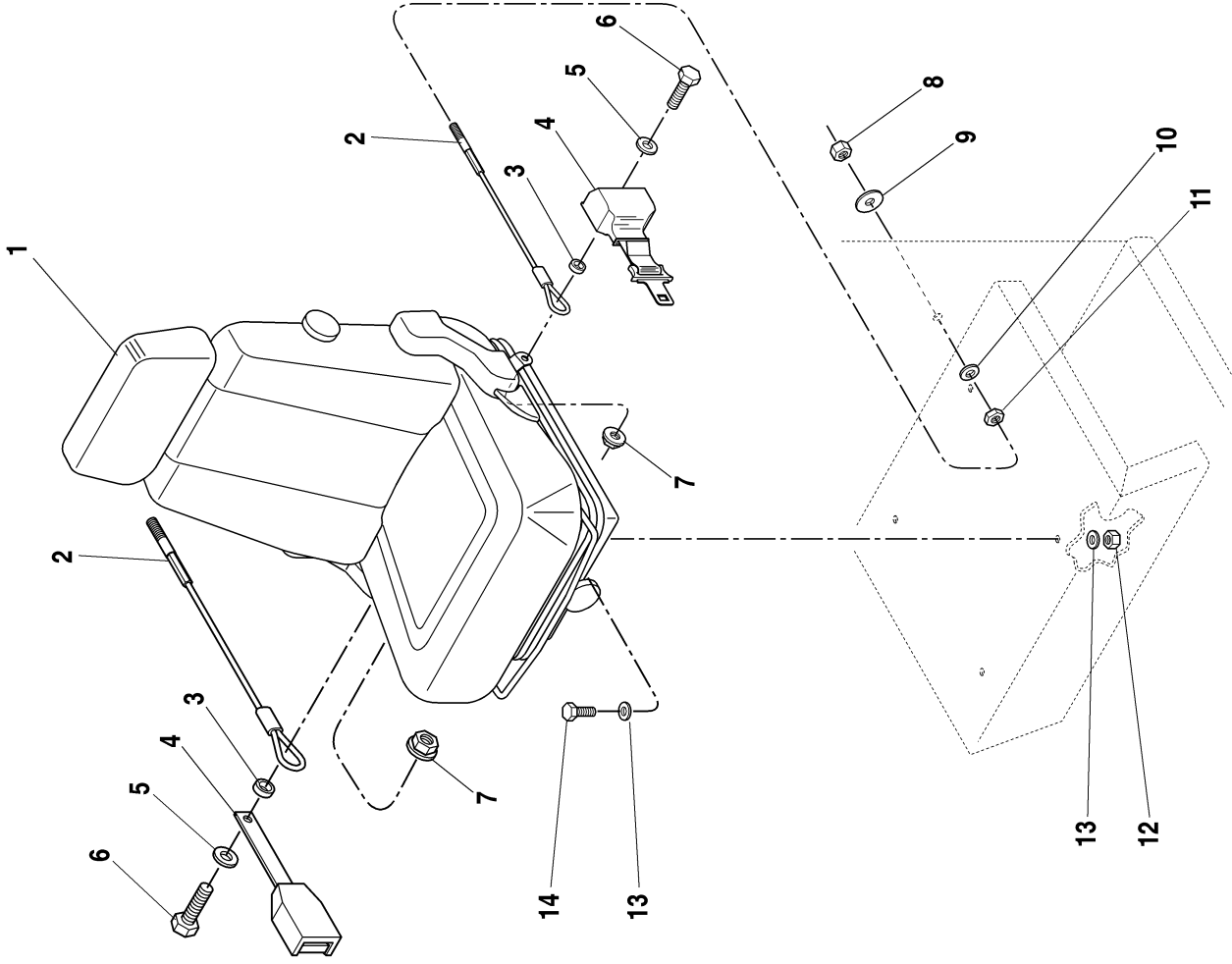
Origin
05/01

4270H
4270L
4290H
4290L

S/N 14409-

OPERATOR'S SEAT AND SEAT BELT

3.5.1



15 16

ITEM PART NO. QTY. DESCRIPTION

1	8864055	1	Seat, Deluxe Cloth with Suspension
	8864056	1	Seat, Deluxe Vinyl with Suspension
2	7130412	2	Tether
3	7096491	2	Spacer
4	8864060	1	Seat Belt Assembly - 2" Retractable (Includes Items 5, 6, and 7)
5	N.S.S	2	Washer, Flat
6	N.S.S	2	HHCS
7	N.S.S	2	Nut, Hex
8	8305645	2	Nut, Hex Lock Elastic 3/8"-16
9	7057141	2	Washer, Rebound
10	8307204	2	Washer, Flat 3/8"
11	8305404	2	Nut, Hex Jam 3/8"-16
12	8305626	4	Nut, Hex Lock Elastic 5/16"-18
13	8307106	8	Washer, Flat 5/16" Narrow
14	8303670	4	HHCS, 5/16"-18 x 1" Gr. 5

N.S.S. = Not Sold Separately

KITS

15	8864058	1	Seat Belt Assembly - 3" Retractable (Includes Mounting Hardware)
16	8864019	1	Seat Belt Assembly - 3" Non-Retractable

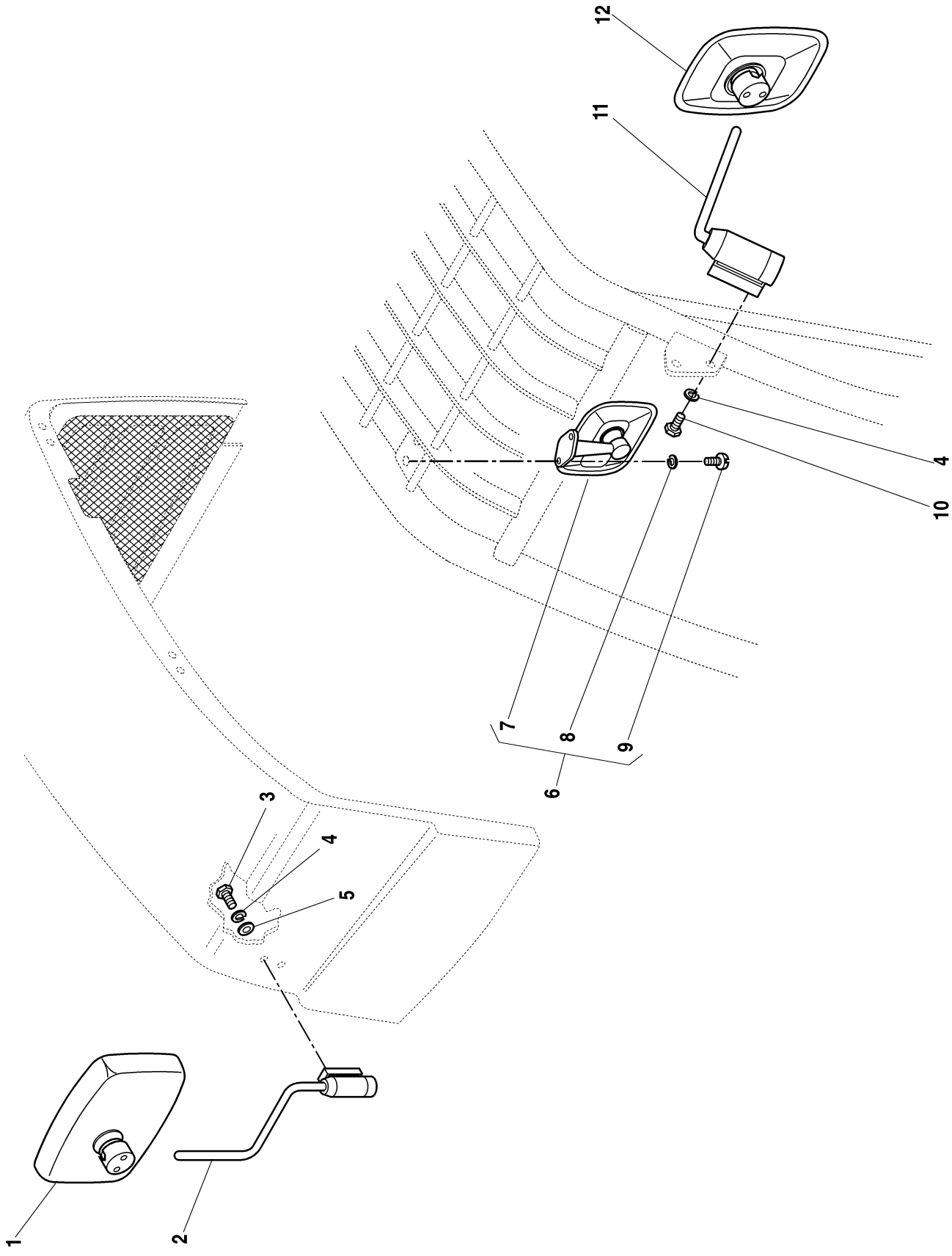
Origin
05/01

4270H
4270L
4290H
4290L

S/N 14409-

SUSPENSION SEAT

3.6.1



ITEM PART NO. QTY. DESCRIPTION

1	8866514	1	Mirror Head, Convex
2	8866515	1	Arm Assembly, Mirror
3	8303544	2	HHCS, M6-1 x 20mm PC 8.8
4	8307024	3	Washer, Lock M6
5	8307219	3	Washer, Flat SAE 1/4" Light
6	7136742	1	Kit, Right Side Mirror - Optional (Includes Items 7, 8, and 9)
7	8866516	1	Mirror Assembly, Rear View
8	8307003	1	Washer, Lock #10
9	8303836	1	Screw, Slotted Round Hd. #10-24 x 5/8"
10	8303799	2	HHCS, M6-1 x 14mm
11	8866530	1	Arm Assembly, Mirror
12	8866529	1	Mirror, Rear View

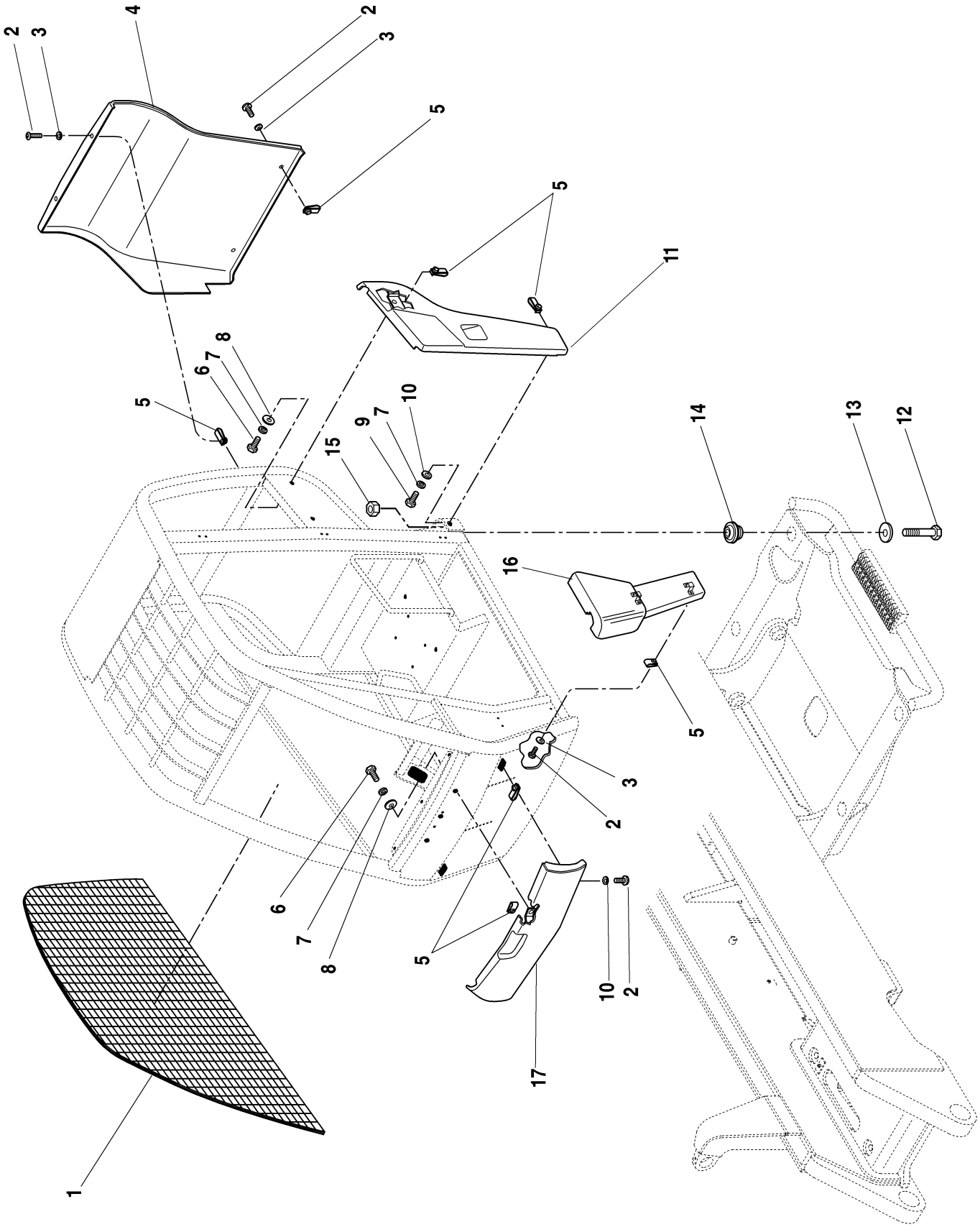
Origin
05/01

S/N 14409-

4270H
4270L
4290H
4290L

MIRRORS

3.7.1



ITEM PART NO. QTY. DESCRIPTION

1	7137152	1	Kit, Mesh Plate - Right Side
2	8310301	10	BHCS, 5/16"-18 x 1"
3	8310124	8	Washer, Flat Plastic 5/16"
4	7130663	1	Panel, Cab Rear
5	8305906	12	Nut, Retaining 5/16"-18
6	8303670	4	HHCS, 5/16"-18 x 1"
7	8307004	5	Washer, Lock 5/16"
8	7057141	4	Washer, Rebound
9	8303739	1	HHCS, 5/16"-18 NC x 1.25"
10	8307203	3	Washer, Flat 5/16"
11	7130653	1	Panel, Cab Rear - Left Side
12	8310375	4	HHCS, 3/4"-10 x 3-3/4" Gr. 8
13	7129441	4	Washer, Rebound
14	8278026	4	Isolator, Cab
15	8310067	2	Nut, Hex Lock Elastic 3/4"-10
16	7134453	1	Panel, Cab Front - Left Side
17	7138864	1	Panel, Cab Front

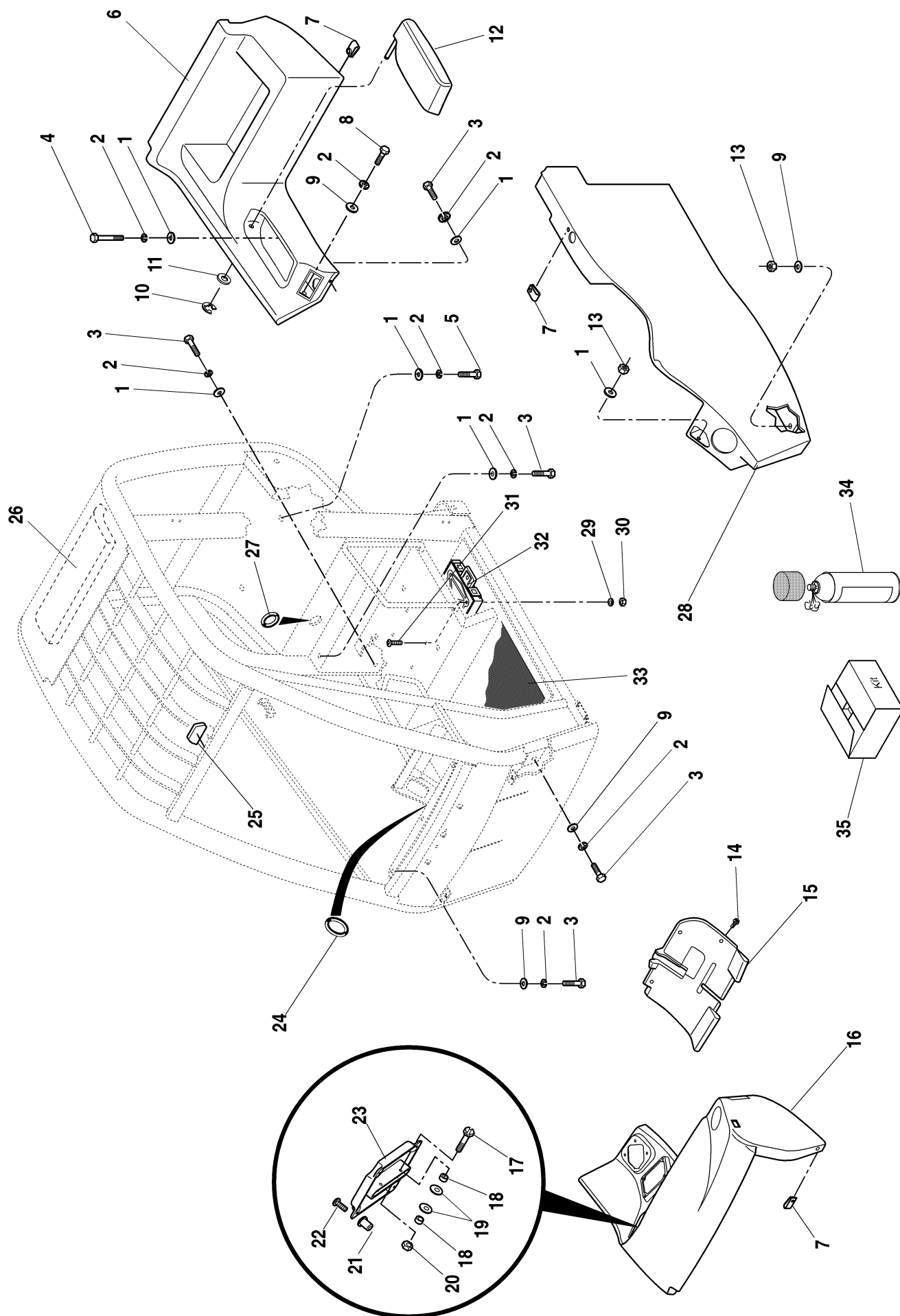
Origin
05/01

S/N 14409-

4270H
4270L
4290H
4290L

OUTER PANELS - OPEN CAB

3.8.1



ITEM PART NO. QTY. DESCRIPTION

1	7057141	7	Washer, Rebound
2	8307004	10	Washer, Lock 5/16"
3	8303739	6	HHCS, 5/16"-18 x 1-1/4"
4	8310009	1	HHCS, 5/16"-18 x 2"
5	8303746	1	HHCS, 5/16"-18 x 1-3/4"
6	7130734	1	Tool Bin, Rear (See Kits)
7	8310374	10	Nut, Retaining 5/16"-18
8	8303697	1	HHCS, 5/16"-18 x 3/4"
9	8307203	5	Washer, Flat 5/16"
10	8630010	1	Ring, Retainer
11	8307206	1	Washer, Flat 1/2"
12	7130862	1	Armrest/Compartment Cover
13	8305626	2	Nut, Hex Lock Elastic 5/16"-18
14	8310353	3	Screw, Self Drilling #12-14 x 1"
15	7130773	1	Cover, Lower Dash (See Kits)
16	7138839	1	Dash, Front (See Kits)
17	8310016	2	HHCS, Slotted #10-24 x 1"
18	8310402	4	Spacer
19	8310360	4	Washer, Fender
20	8310085	2	Nut, Hex Lock Elastic #10-24
21	8580421	4	Nut, Well #10-32 x 1/2" Long
22	8310358	4	BHCS, #10-32 x 3/4"
23	7131003	1	Holder, Load Chart
24	7132751	1	Conduit, 1/4" x 9-1/2" Long
25	8466306	1	Gauge, Tilt Angle
26	7131412	1	Headliner
27	7124531	1	Conduit, 1/4 x 5" Long
28	7130744	1	Support, Console (See Kits)
29	8307202	4	Washer, Flat 1/4"
30	8305624	4	Nut, Hex Lock Elastic 1/4"-20
31	8303034	4	BHCS, 1/4"-20 x 3/4"
32	8990122	1	Holder, Owner/Operator's Manual
33	7138963	1	Mat, Floor (Use Item 34 for Installation)
34	8526042	A/R	Adhesive, 3M #90 High Strength Spray

Origin
05/01

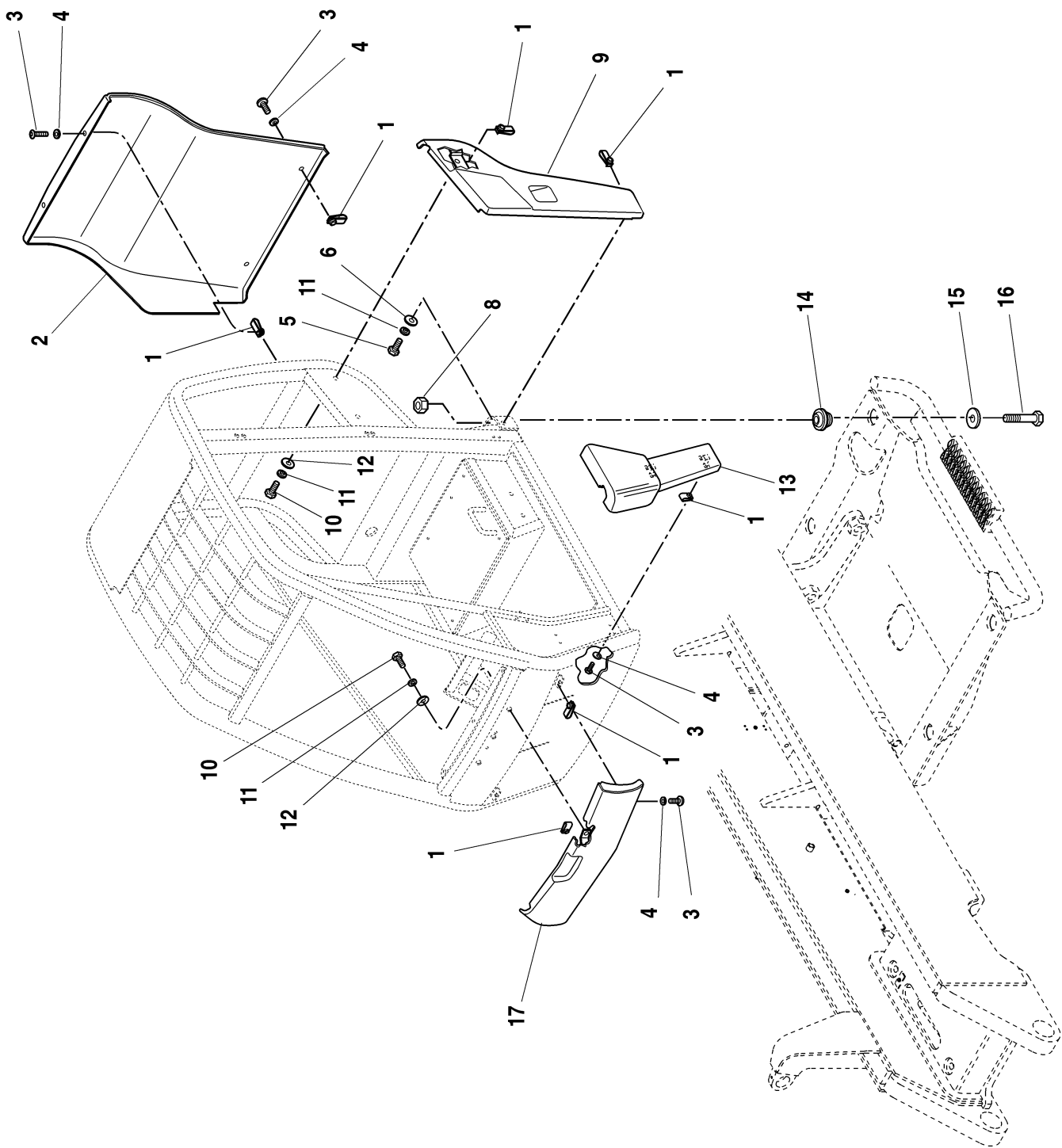
KITS

7138844
35
Kit, Cab Panels - Open Cab (Includes Items 6, 15, 16, 28 and additional panels 1 and 6 on Page 3.4.1)
(Hardware not Included.)

S/N 14409-

4270H
4270L
4290H
4290L

INNER CONSOLE AND DASH PANEL - OPEN CAB 3.9.1



ITEM PART NO. QTY. DESCRIPTION

1	8305906	12	Nut, Retaining 5/16"-18
2	7130663	1	Panel, Cab Rear
3	8310301	10	BHCS, 5/16"-18 x 1"
4	8310124	8	Washer, Flat Plastic 5/16"
5	8303739	1	HHCS, 5/16"-18 x 1.25" Gr. 5
6	8307203	11	Washer, Plain 5/16" Wide
7	8303670	4	HHCS, 5/16"-18 x 1"
8	8310067	2	Nut, Hex Lock Elastic 3/4"-10
9	7130653	1	Panel, Cab Rear LH
10	8303670	5	HHCS, 5/16"-18 x 1"
11	8307004	5	Washer, Lock 5/16"
12	7057141	4	Washer, Rebound
13	7134453	1	Panel, Cab Front LH
14	8278026	4	Isolator, Cab
15	7129441	4	Washer, Rebound
16	8310375	4	HHCS, 3/4"-10 x 3-3/4" Gr.8
17	7138865	1	Panel, Cab Front

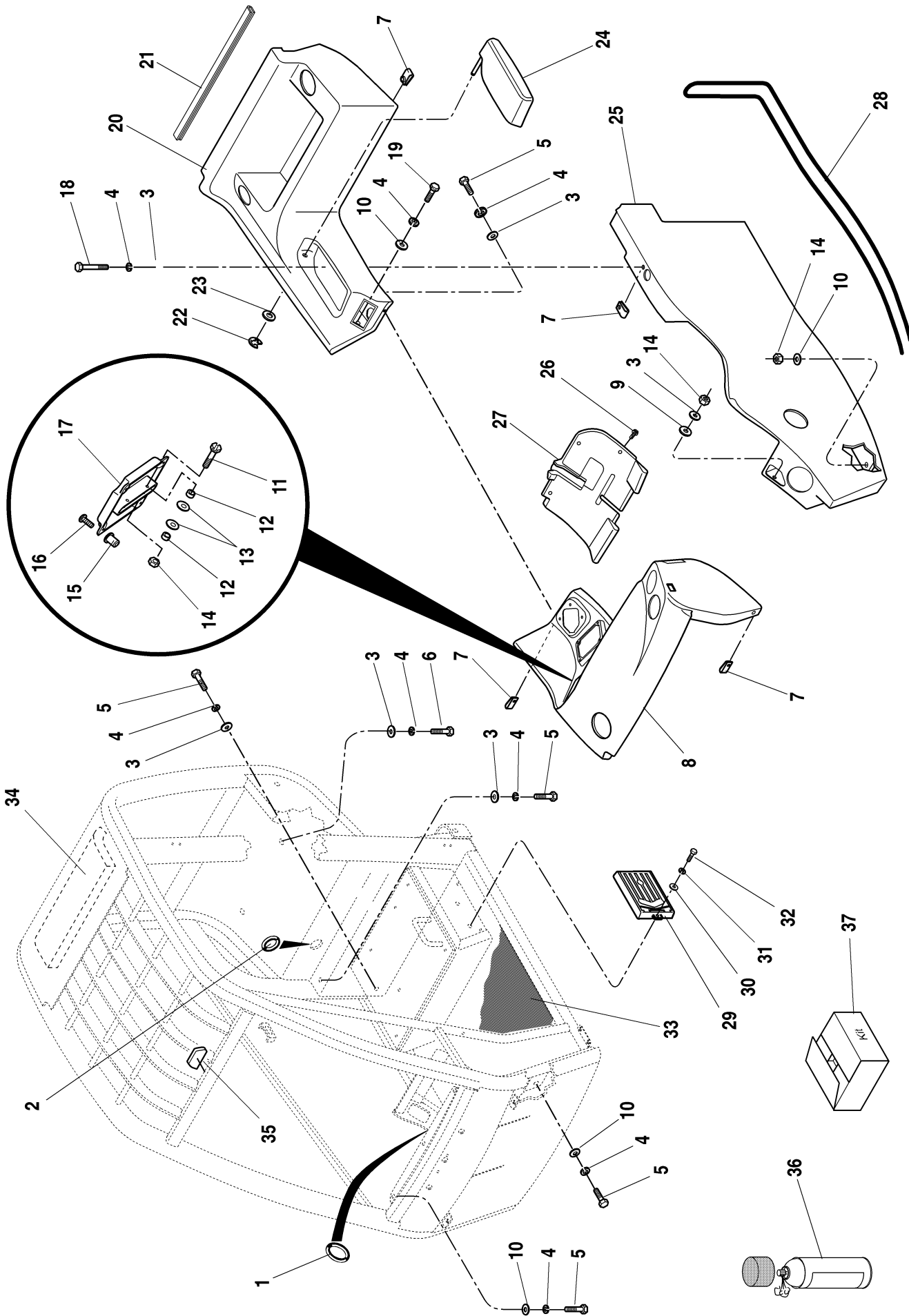
Origin
05/01

4270H
4270L
4290H
4290L

S/N 14409-

OUTER PANELS - ENCLOSED CAB

3.10.1



ITEM PART NO. QTY. DESCRIPTION

ITEM	PART NO.	QTY.	DESCRIPTION	ITEM	PART NO.	QTY.	DESCRIPTION
1	7132751	1	Conduit, 1/4" x 9-1/2" Long	37	7138846	1	KITS Enclosed Cab - Inner Console Kit (Includes Items 8, 20, 25, 27 and Additional Panels 1 and 6 on Page 3.4.1 - Hardware not Included.)
2	7124531	1	Conduit, 1/4" x 5" Long				
3	7057141	7	Washer, Rebound				
4	8307004	10	Washer, Lock 5/16"				
5	8303739	6	HHCS, 5/16"-18 x 1-1/4"				
6	8303746	1	HHCS, 5/16"-18 x 1-3/4"				
7	7138841	10	Nut, Retaining 5/16"-18				
8	7138841	1	Dash, Front (See Kits)				
9	8307203	1	Washer, Flat 5/16"				
10	8307203	5	Washer, Flat 5/16"				
11	8310016	2	HHCS, Slotted #10-24 x 1"				
12	8310402	4	Spacer				
13	8310360	4	Washer, Fender				
14	8310085	2	Nut, Hex Lock Elastic #10-24				
15	8580421	4	Nut, Well #10-32 x 1/2" Long				
16	8310358	4	BHCS, #10-32 x 3/4"				
17	7131003	1	Holder, Load Chart				
18	8310009	1	HHCS, 5/16"-18 x 2"				
19	7137664	1	HHCS, 5/16"-18 x 3/4"				
20	7137664	1	Tool Bin, Rear (See Kits)				
21	7138275	1	Neoprene Strip 1/2" x 1" x 28" Long				
22	8630010	1	Ring, Retaining				
23	8307206	1	Washer, Flat 1/2"				
24	7137364	1	Armrest/Compartment Cover				
25	7130744	1	Support, Console (See Kits)				
26	8310353	3	Screw, Self Drilling #12-14 x 1"				
27	7130773	1	Cover, Lower Dash (See Kits)				
28	7138275	1	Foam Strip, PSA 1/4" x 1/2" x 100" Long				
29	8990147	1	Holder, Owner/Operator Manual				
30	8307109	2	Washer, Flat 1/4"				
31	8307002	2	Washer, Lock 1/4"				
32	8303540	2	HHCS, 1/4"-20 x 1" Gr. 5				
33	7138962	1	Floormat (Use Item 36 for Installation)				
34	7131412	1	Headliner				
35	8466306	1	Gauge, Tilt Angle				
36	8526042	1	Adhesive 3M #90 High Strength Spray				

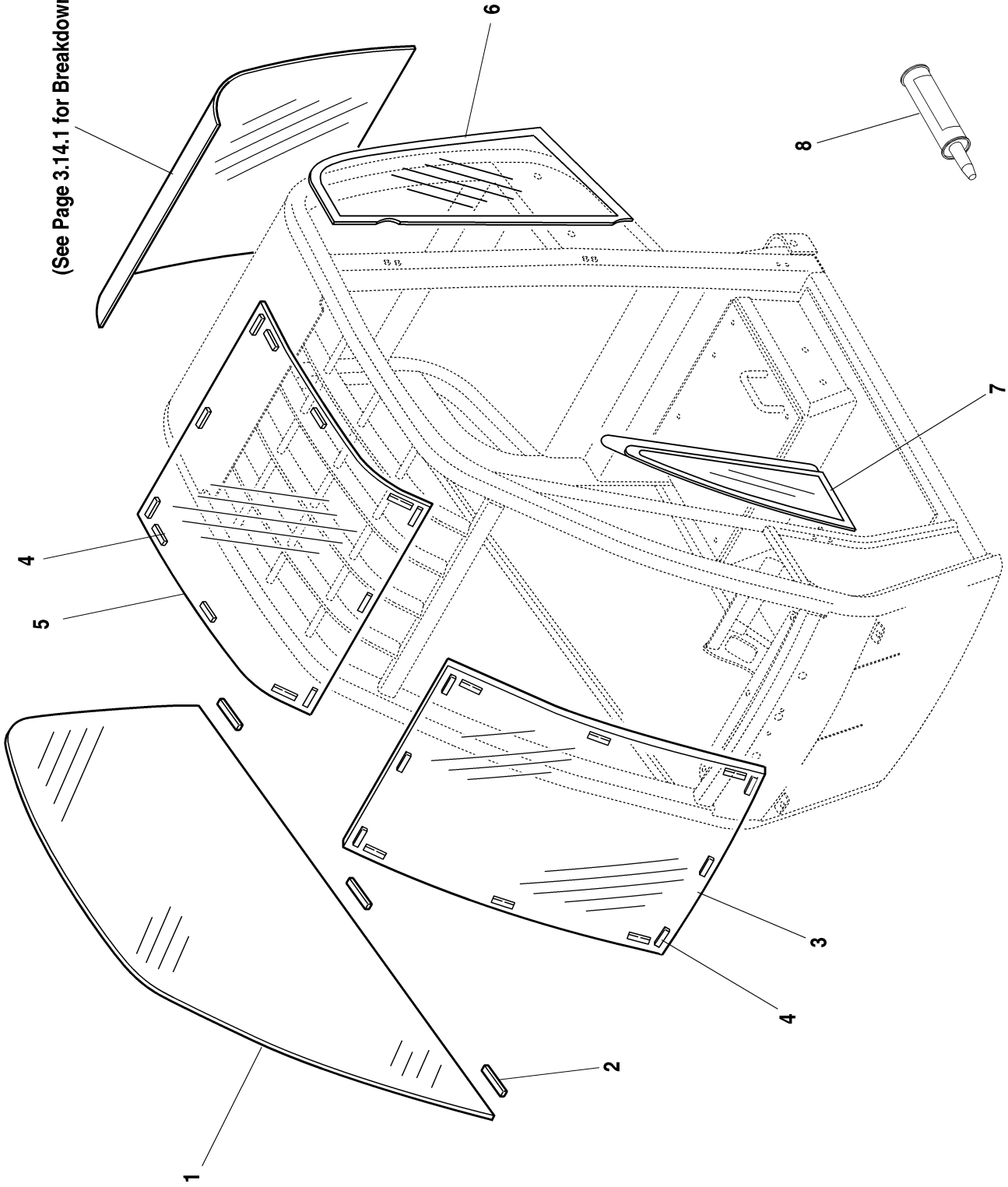
Origin
05/01

4270H
4270L
4290H
4290L

S/N 14409-

INNER CONSOLE AND DASH PANEL - ENCLOSED CAB 3.11.1

(See Page 3.14.1 for Breakdown)



ITEM PART NO. QTY. DESCRIPTION

1	8035294	1	Window, Right Side
2	8035721	3	Block, Setting
3	7136342	1	Windshield Kit, (Includes Glass, Setting Blocks, and Urethane Seal)
4	8035490	24	Block, Setting, 1/8" x 1/4" x 2"
5	8035527	1	Window, Skylight
6	8035525	1	Window, Rear LH (Includes Glass, Frame & Urethane Seal)
7	8035524	1	Window, Front LH (Includes Glass, Frame & Urethane Seal)
8	8305523	1	Sealant, Urethane, High Viscosity

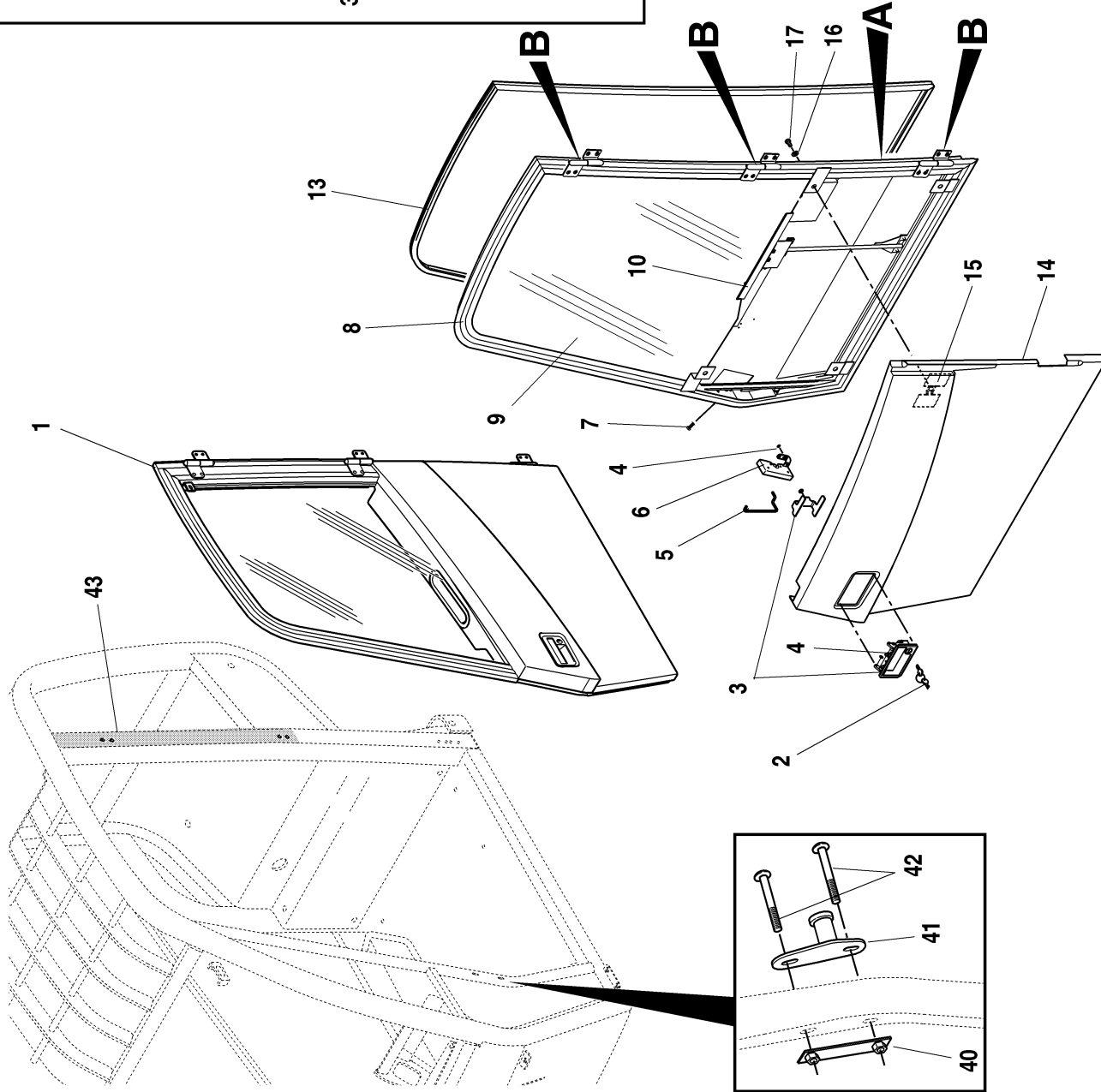
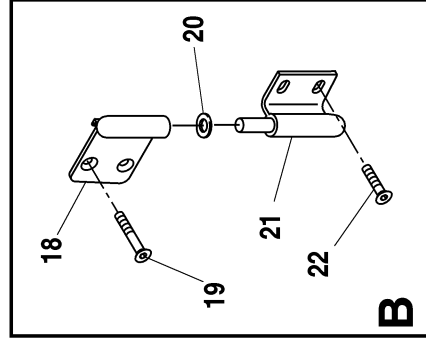
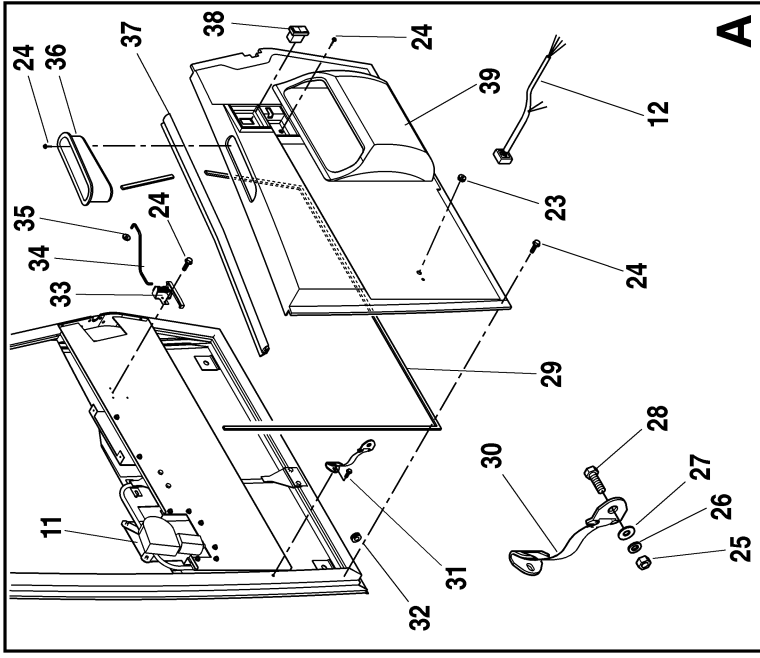
Origin
05/01

S/N 14409-

4270H
4270L
4290H
4290L

GLASS - ENCLOSED CAB

3.12.1



ITEM	PART NO.	QTY.	DESCRIPTION	ITEM	PART NO.	QTY.	DESCRIPTION
1	8035470	1	Door Assembly - Enclosed Cab (Includes Items 2 thru 39)	32	8035436	1	Grommet, 3/4" O.D. x 1/2" I.D.
2	8035469	1	Key set, LL22	33	8035438	1	Handle, Door - Inside
3	8035441	1	Latch, Paddle - RH Black	34	8035453	1	Release Rod, Interior
4	8035444	2	Retainer, Push On - 3/16" Rod	35	8035462	1	Retainer, Clip On
5	8035452	1	Release Rod, Exterior	36	8035454	1	Pocket, Interior Door Panel
6	8035439	1	Latch, Door	37	8035443	1	Door Seal w/Flap - 70"
7	8035466	4	Screw, Flat Head 1/4"-20 x 3/4"	38	8035455	1	Switch, Electric Window
8	8035449	1	Door Rollup Window Assembly (Includes Items 9, 10 and 11)	39	8035450	1	Door Panel, Interior
9	8035471	1	Glass, Door	40	8035529	1	Striker Assembly, Blind Nut Plate
10	8035472	1	Channel, Glass	41	8035528	1	Weldment, Striker Plate
11	8035473	1	Regulator, Electric Window 12V	42	8035526	2	Bolt, .323-18 x 2.0 Truss Black
12	8035456	1	Wire Harness, LH Door	43	8035722	1	Tape, Vinyl, Matte Black
13	8033072	1	Seal, Bulb 90, 192" Long				
14	8035451	1	Door Panel, Exterior				
15	8035464	4	U-Nut, 1/4"-20				
16	8035468	4	Washer, Flat .281 x 1.05 x .065 Thick				
17	8035463	4	Screw, Truss Hex Drive 1/4"-20 x 5/8"				
18	8035446	1	Top Hinge, Upper Half of				
	8035447	1	Center Hinge, Upper Half of				
	8035448	1	Bottom Hinge, Upper Half of				
19	8035461	6	Screw, Flat Hd Hex Drive 1/4"-20 x 1-1/4"				
20	8035460	3	Washer, Hinge Brass				
21	8035457	1	Top Hinge, Lower Half of				
	8035458	1	Center Hinge, Lower Half of				
	8035459	1	Bottom Hinge, Lower Half of				
22	8033058	6	Screw, 1/4"-20 x 3/4" Whizlock				
23	8035467	1	Grommet, 3/8" I.D. x 5/8" O.D.				
24	8035440	10	Screw, Pan Hd #10-16 x 3/4"				
25	8034798	1	Nut, Hex 5/16"-18 Gr. 8 Yellow				
26	8034799	1	Washer, Lock .315 x .575 x .085 Thick				
27	8035435	1	Washer, Lock .315 x .750 x .060 Thick				
28	8035445	1	Bolt, Hex 5/16"-18 x 1" Gr. 8				
29	8037206	1	Seal, "D" Type Bulb .216 x .354 x 54"				
30	8035442	1	Strap, Door Restraint				
31	8035437	1	Screw, 1/4"-20 x 3/4"				

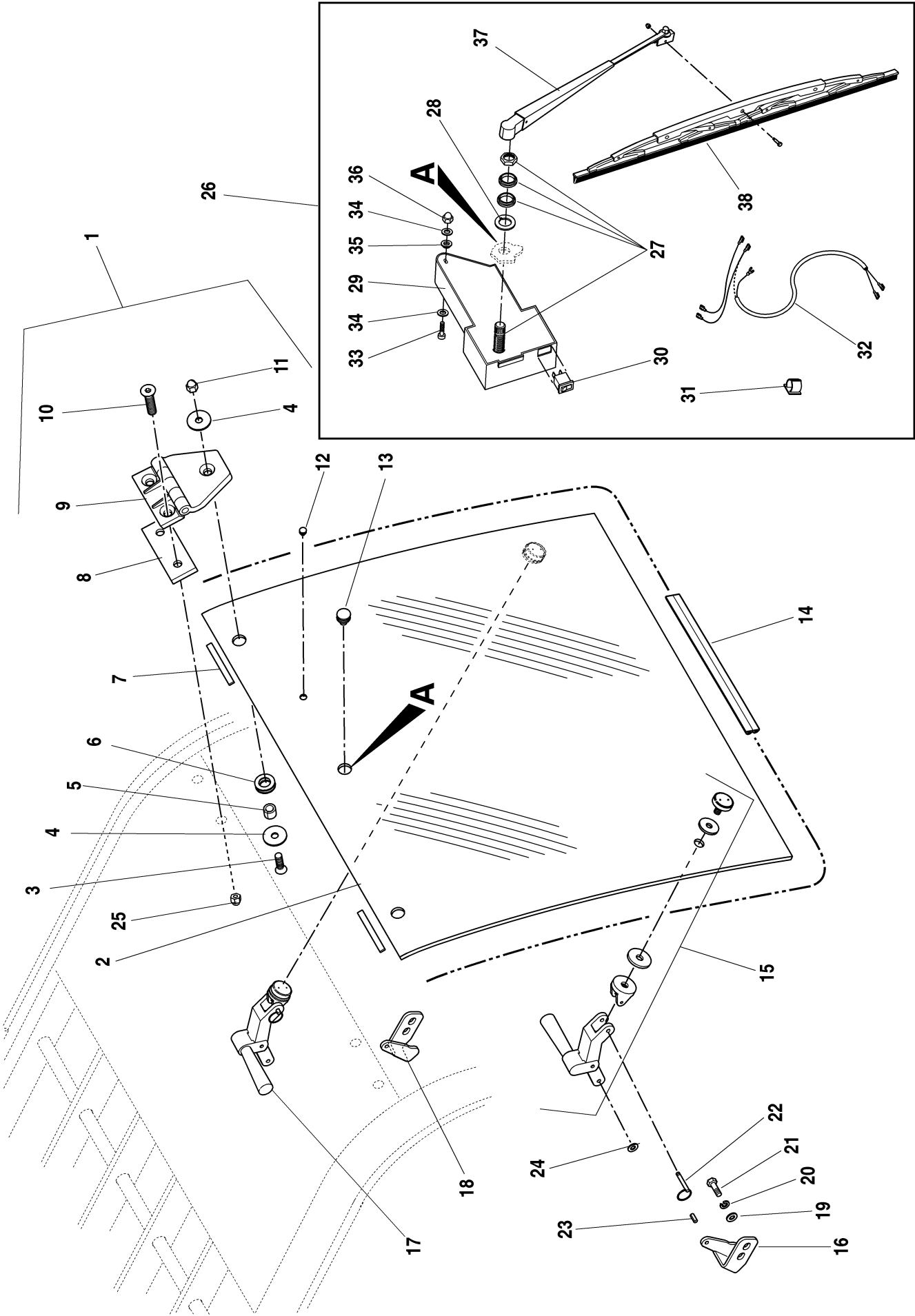
Origin
05/01

4270H
4270L
4290H
4290L

S/N 14409-

DOOR ASSEMBLY

3.13.1



ITEM PART NO. QTY. DESCRIPTION

1	8035606	1	Rear Window Assembly (Includes Items 2 thru 24)
2	8035474	1	Glass
3	8035491	4	Screw, Truss, Hd. 1/4"-20 x 1-1/4"
4	8035468	4	Washer, Flat
5	8035478	2	Bushing, Plastic
6	8035477	2	Grommet
7	8035490	2	Setting Block, 1/8" x 1/4" x 2"
8	8035476	2	Spacer, Hinge
9	8035475	2	Hinge, Plastic
10	8035414	4	Screw, Truss, 1/4"-20 x 1"
11	8035479	2	Nut, Acorn 1/4-20
12	8035488	1	Plug, Plastic 1/2" Dia.
13	8035489	1	Plug, Plastic 7/8" Dia.
14	8037206	1	Seal, Bulb "D"
15	8035480	1	Hold, Open - LH
16	8035482	1	Bracket, Hold Open - LH
17	8035481	1	Hold, Open - RH
18	8035483	1	Bracket, Hold Open - RH
19	8035415	4	Washer, Flat 9/32" x 5/8" Black
20	8035416	4	Washer, Lock 1/4" Black
21	8035487	4	Screw, Truss Hd. 1/4"-20 x 5/8" Black
22	8035484	2	Pin, Detent Ring
23	8035486	2	Pin, Roll
24	8035485	2	Washer, Flat 1/4" x 5/8"
25	8036280	2	Rivnut .250-20
26	8036274	1	Wiper Assembly, Rear Window (Includes Items 27 thru 38)
27	8035506	1	Motor, Wiper - Rear Window (Includes 2 Washers and 1 Nut)
28	8034808	1	Spacer, Nylon
29	8035511	1	Cover, Wiper Motor
30	8035509	1	Switch, Rocker SPST
31	8035501	1	Clip, Wiring - Adhesive Back
32	8035510	1	Harness, Wire - Rear Window
33	8035507	1	Screw, Rd. Hd #10-24 x 7/8"
34	8033087	2	Washer, Flat - Nylon Black
35	8034803	1	Grommet, Rubber T-Style

36	8034805	1	Nut, Acorn #10-24
37	8035500	1	Arm, Wiper, 10.75 - 15 Black
38	8035508	1	Blade, Wiper 1/4" Flex Black

Origin
05/01

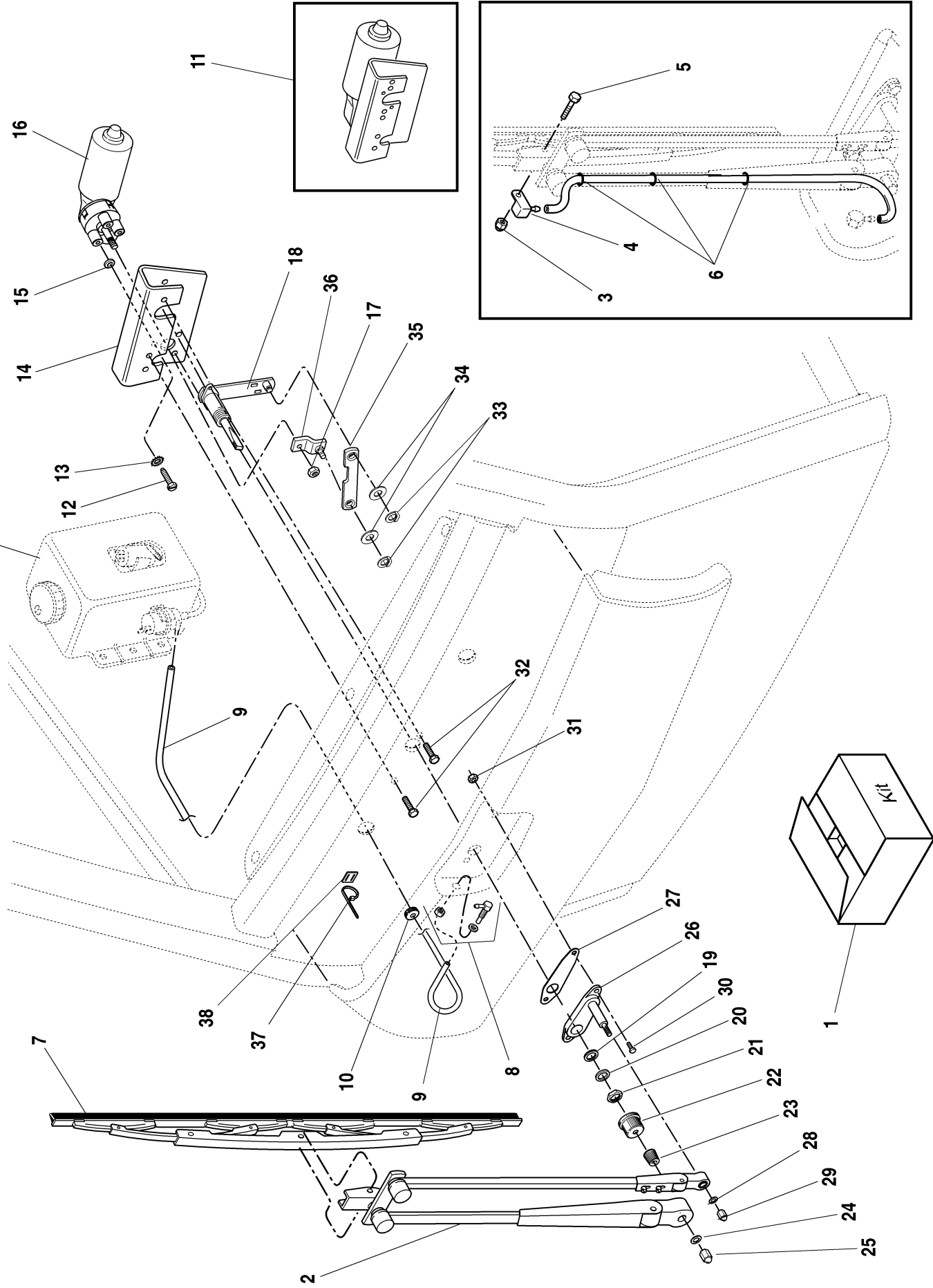
4270H
4270L
4290H
4290L

S/N 14409-

REAR WINDOW AND WIPER ASSEMBLIES

3.14.1

(See Page 3.16.1 for Breakdown)



ITEM PART NO. QTY. DESCRIPTION

1	8036273	1	Front Windshield Wiper Assembly (Kit Includes Items 2 thru 36)
2	8035393	1	Wiper Arm, 24" Flex (Includes Items 3 thru 6)
3	N.S.S.	1	Locknut
4	N.S.S.	1	Sprayer Nozzle
5	N.S.S.	1	Bolt
6	N.S.S.	3	Clips, Hose
7	8035392	1	Blade, Wiper 28"
8	8035390	1	Wet Kit
9	8035395	1	Hose, Clear Vinyl - 144"
10	8035394	1	Grommet, Rubber 1/4" I.D.
11	8033102	1	Wiper Motor Assembly (Includes Items 12 thru 17)
12	N.S.S.	3	HHCS, Slotted 1/4"-28 x 3/4"
13	8310002	3	Washer, External Tooth 1/4"
14	N.S.S.	1	Bracket, Wiper Motor
15	8307203	3	Washer, Flat 5/16"
16	N.S.S.	1	Motor, Wiper
17	8305006	1	Nut, Hex Flanged 5/16"-18
18	8866492	1	Wiper Shaft and Pivot Assembly (Includes Items 19 thru 25)
19	N.S.S.	1	Washer, Cardboard
20	N.S.S.	1	Washer, Metal
21	N.S.S.	1	Nut, Hex Jam 11/16"-24
22	N.S.S.	1	Cap, Rubber
23	N.S.S.	1	Driver, Knurled
24	N.S.S.	1	Washer, Internal Tooth Lock 3/8"
25	N.S.S.	1	Nut, Acorn 1/4"-28
26	8034815	1	Panto Adapter Kit (Includes Items 27 thru 29)
27	N.S.S.	1	Gasket, Panto
28	8310029	1	Washer, Internal Tooth Lock 1/4"
29	N.S.S.	1	Nut, Acorn 1/4"-28
30	8033856	2	Screw, Tress 1/4"-20 x 3/4" - Black
31	8035391	2	Nut, Center Lock - Black
32	8033110	2	Screw, Hex 1/4"-28 x 3/4" - Black
33	N.S.S.	2	Clip, Spring
34	N.S.S.	2	Washer, Special Flat. 560 x .251 x .015
35	8035409	1	Link, Connecting

36	8035411	1	Drive Arm .95" Long
37	8584001	1	Plastic Tie
38	8584018	1	Mount Tie

N.S.S. = Not Sold Separately

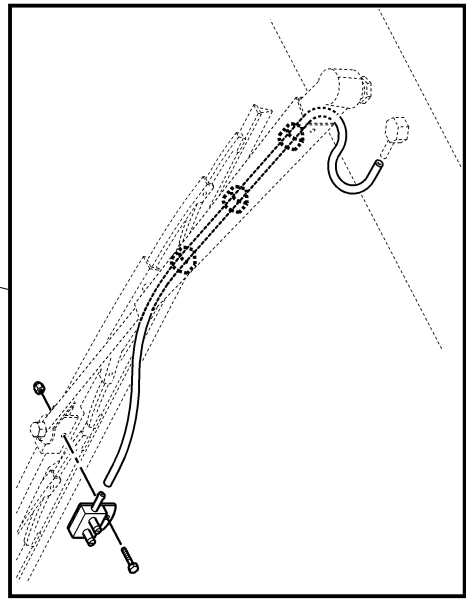
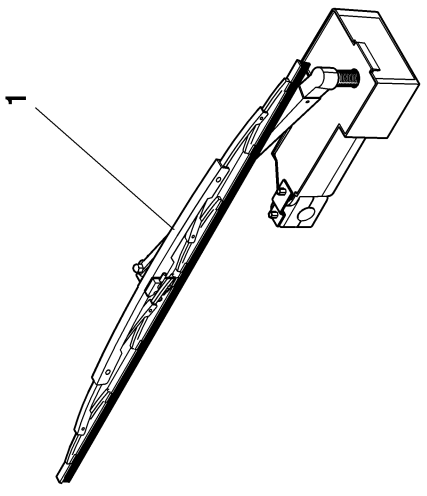
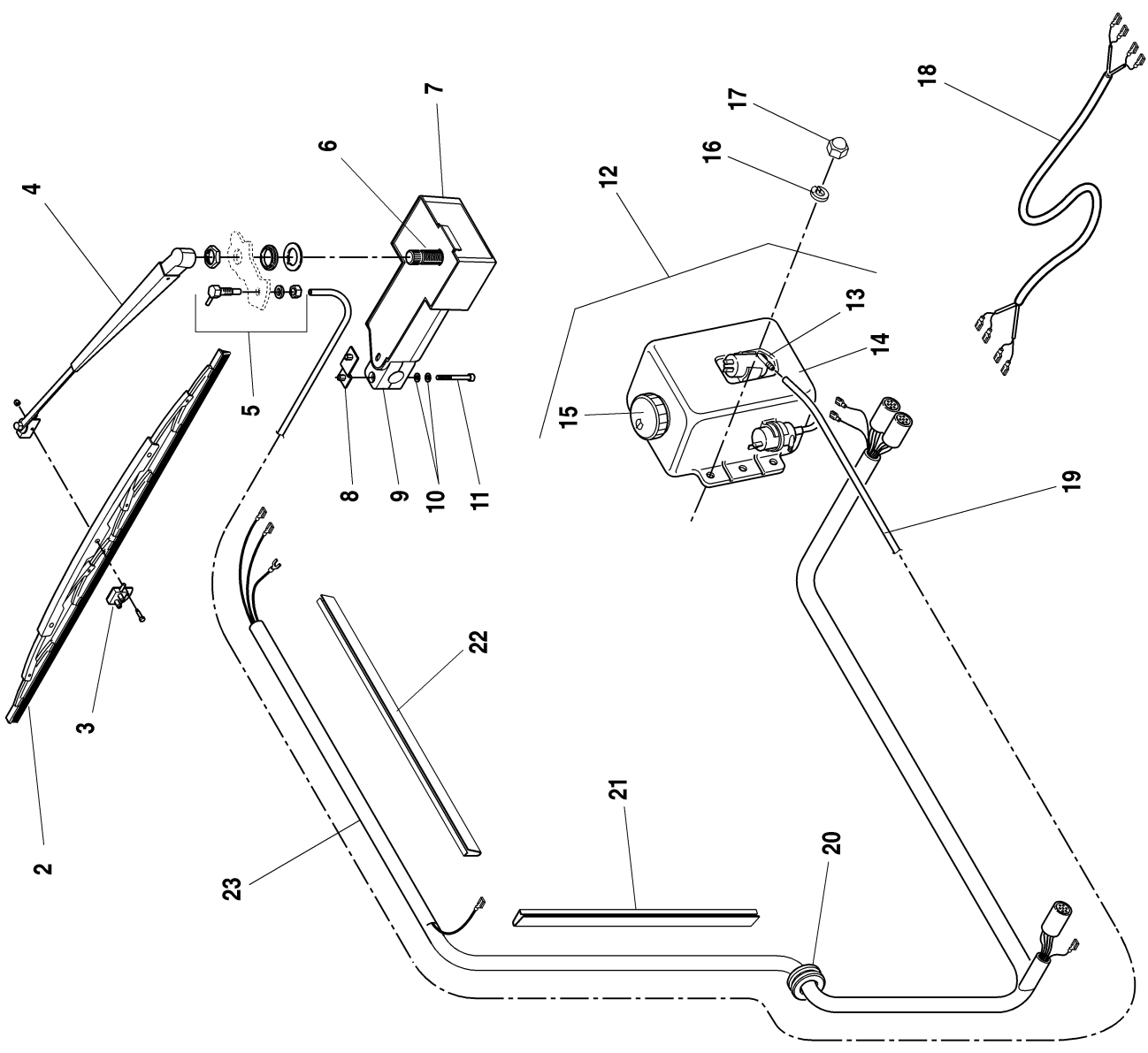
Origin
05/01

4270H
4270L
4290H
4290L

S/N 14409-

FRONT WINDSHIELD WIPER ASSEMBLY

3.15.1



ITEM PART NO. QTY. DESCRIPTION

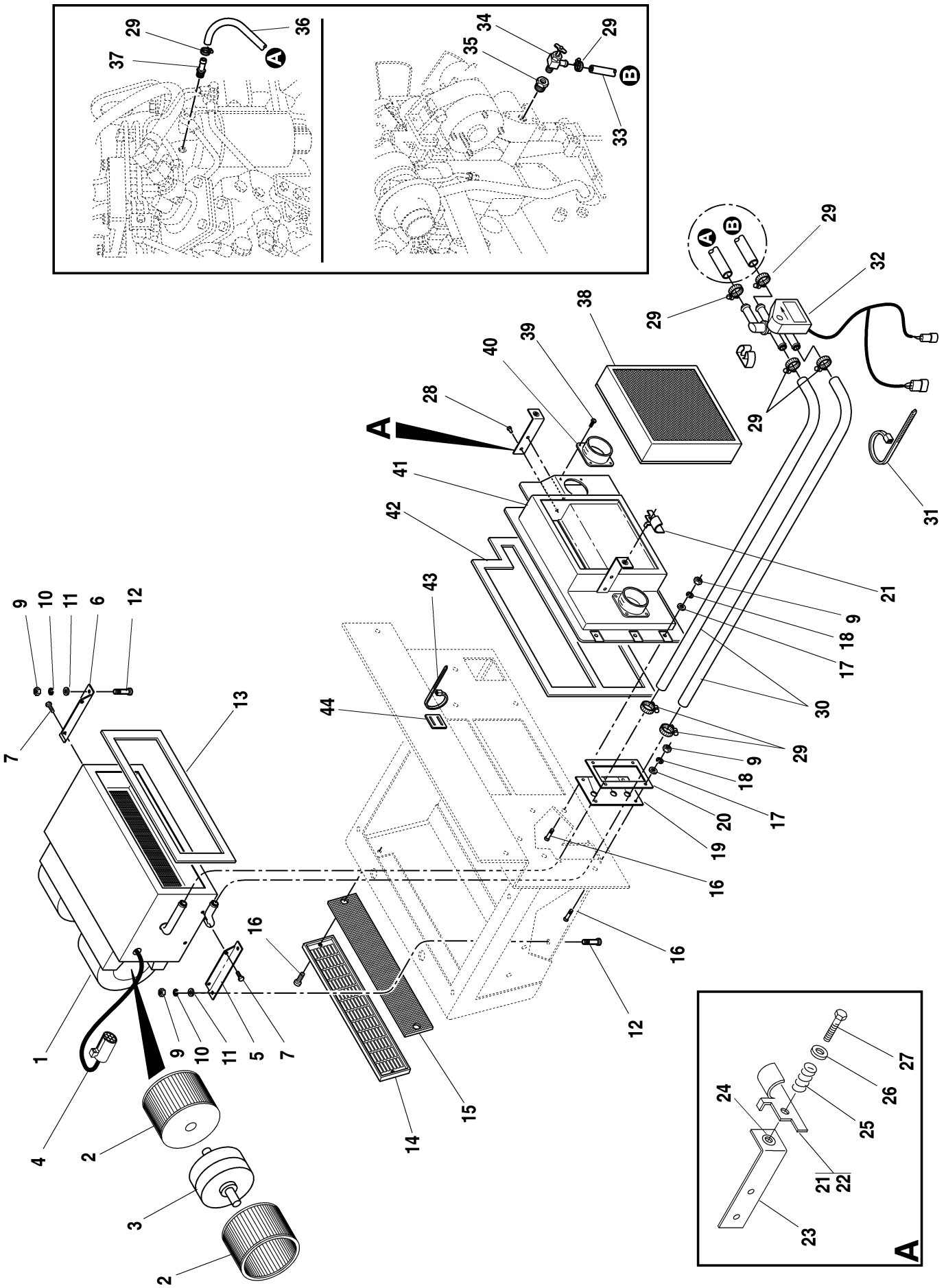
1	8036275	1	Wiper Assembly, Skylight Window (Includes Items 2 thru 11)
2	8035498	1	Blade, Wiper 20" Flex - Black
3	8035499	1	Wet Arm Kit
4	8035500	1	Arm, Wiper, Black
5	8035390	1	Wet Arm Adapter
6	8035492	1	Motor, Skylight Wiper
7	8035493	1	Cover, Wiper
8	8035497	1	Plate, Blind Nut
9	8035496	1	Clamp, Block 3/4"
10	8035495	1	Washer, Flat - Black (Zinc)
11	8035494	1	Bolt, Socket Head #10-24 x 1-3/4"
12	8035410	1	Washer Reservoir Assembly, (Includes Items 13, 14, and 15)
13	8035531	2	Pump Motor
14	N.S.S.	1	Reservoir
15	N.S.S.	1	Reservoir, Cap
16	8035416	3	Lock Washer, 1/4" x .49 O.D. x .07
17	8035479	3	Nut Acorn, 1/4"-20, Black
18	7138250	1	Jumper Wire Harness, Washer Bottle
19	8035501	1	Hose, Clear
20	8035505	1	Grommet 3/4" O.D. 1/2" I.D.
21	8035504	1	Conduit, Split 30"
22	8036276	1	Conduit, Split
23	8035503	1	Harness, Wiper

N.S.S. = Not Sold Separately

S/N 14409-

SKYLIGHT WIPER ASSEMBLY

3.16.1

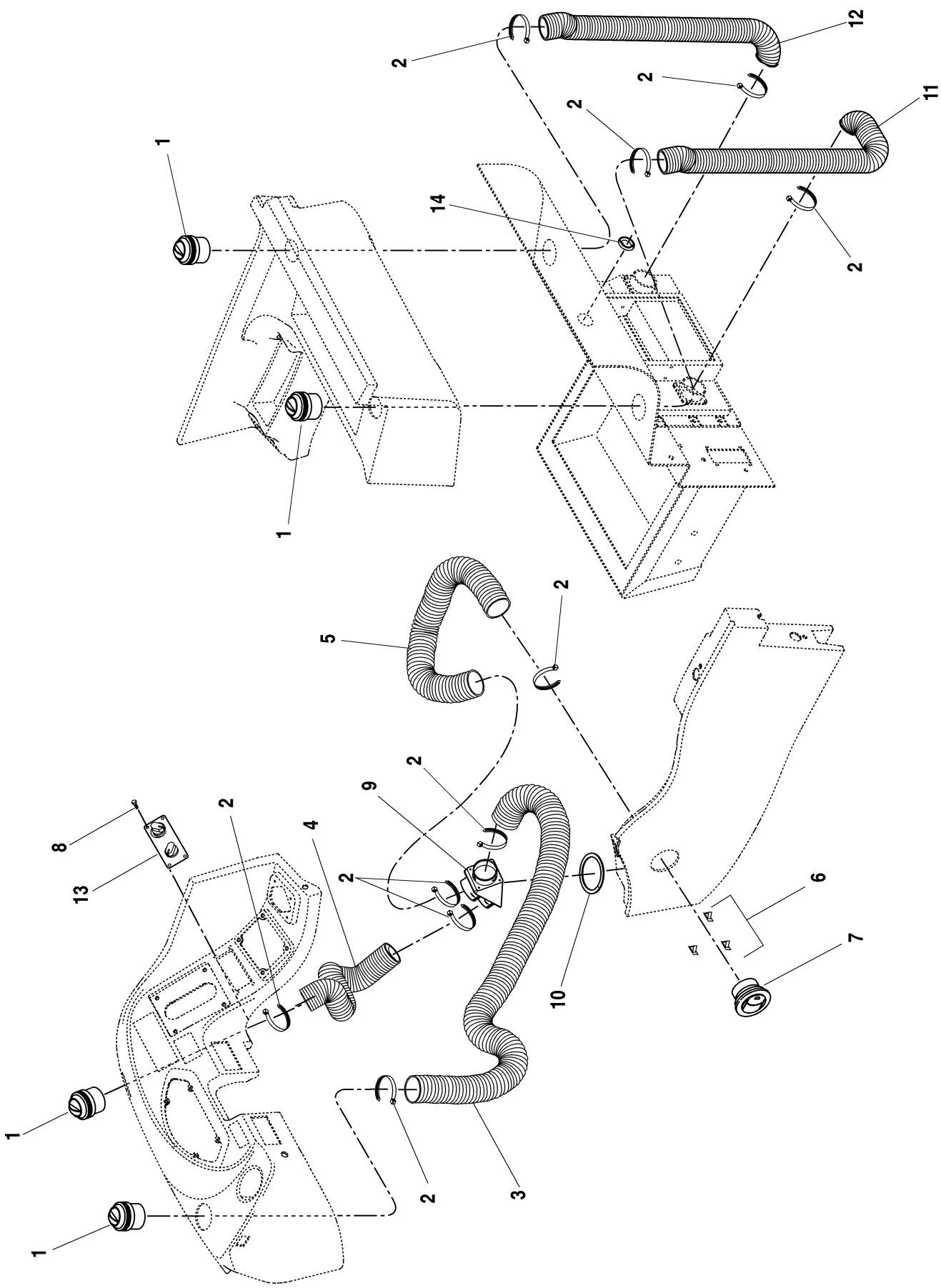


ITEM	PART NO.	QTY.	DESCRIPTION	ITEM	PART NO.	QTY.	DESCRIPTION
1	7138530	1	Heater Assembly (Includes Items 2 thru 8)	37	8430048	1	Reducer, Pipe Thread 10-8P
2	8036301	2	Blower Wheel	38	8035388	1	Air Filter w/Seal
3	8036300	1	Motor, 12V	39	8036126	8	Screw, Self Tapping #8-32 x 1/2"
4	8220912	1	Connector, 7 Way 280 Series	40	8035431	2	Adapter, Hose 2-1/2" Dia.
5	7139035	1	Angle, LH Side	41	8035412	1	Plenum
6	7139036	1	Angle, RH Side	42	8035430	1	Foam, PSA 3/16" x 5/8" x 84"
7	8310498	4	Screw, M6 x 12 - Whizlock	43	8584001	2	Plastic Tie
8	8036302	1	Resistor, 12V (Not Shown)	44	8584018	2	Mount, Tie
9	8035417	13	Nut, Hex 1/4"-20				
10	8307002	4	Washer, Lock 1/4"				
11	8307109	4	Washer, Plain 1/4"				
12	8303736	4	Screw, HHC 1/4-20 x 1/2"				
13	8033032	1	Sponge Rubber, Adhesive Backed, 80"				
14	8035434	1	Holder, Foam Filter				
15	8035389	1	Foam Filter, Recirculate				
16	8035414	11	Screw, 1/4"-20 x 1"				
17	8035415	9	Washer, Flat .281 x .625				
18	8035416	9	Washer, Lock .254 x .480 - Black				
19	8035427	1	Grommet				
20	8035428	1	Plate, Grommet				
21	8035425	1	Latch, LH - Filter Hold Down				
22	8035426	1	Latch, RH - Filter Hold Down				
23	8035423	2	Angle, Filter Clamp				
24	8035424	2	Rivnut, 5/16" Hex				
25	8035432	2	Spring, Compression 1/2" x 7/8"				
26	8035435	2	Washer, Flat 5/16"				
27	8035433	2	Bolt, Hex 5/16"-18 x 1-1/2" Yellow				
28	8035422	4	Rivet, Pop 3/16" x 1/2"				
29	8410009	8	Clamp, Hose SAE #10				
30	7138317	2	Hose, Heater .625 I.D. x 24" Long				
31	8035406	10	Plastic Tie				
32	8360015	1	Valve, Heater - Motorized w/Harness				
33	7139099	1	Hose, Heater, Engine Inlet 86.5"				
34	8360005	1	Valve, Shut-Off				
35	8540023	1	Reducer, Pipe Thread 8-6P				
36	7139101	1	Hose, Heater, Engine Outlet 153"				

S/N 14409-

HEATER ASSEMBLY - ENCLOSED CAB

3.17.1



ITEM PART NO. QTY. DESCRIPTION

1	8035398	4	Louver, Ball
2	8035406	10	Tie Strap, Nylon 3/16" Wide x 12" Long
3	8035405	1	Hose, Flex 2-1/2" Dia. Front LH Vent - 40" Long
4	8035404	1	Hose, Flex 2-1/2" Dia. Front RH Vent - 30" Long
5	8035403	1	Hose, Flex 2-1/2" Dia. Center Vent - 18" Long
6	6620971	3	Clips
7	8035402	1	Louver, Round
8	8036126	8	Screw, Self Tapping #8-32 x 1/2"
9	8036299	1	Vent Manifold Assembly
10	8033032	1	Sponge Rubber, Adhesive Backed
11	8035400	1	Hose, Flex 2-1/2" Dia. Rear LH Vent - 37" Long
12	8035399	1	Hose, Flex 2-1/2" Dia. Rear RH Vent - 33" Long
13	7138691	1	Panel, Heater Control
14	7124531	1	Conduit, 1/4" x 5" Long

Origin
05/01

4270H
4270L
4290H
4290L

S/N 14409-

HEATER HOSES AND VENTS - ENCLOSED CAB

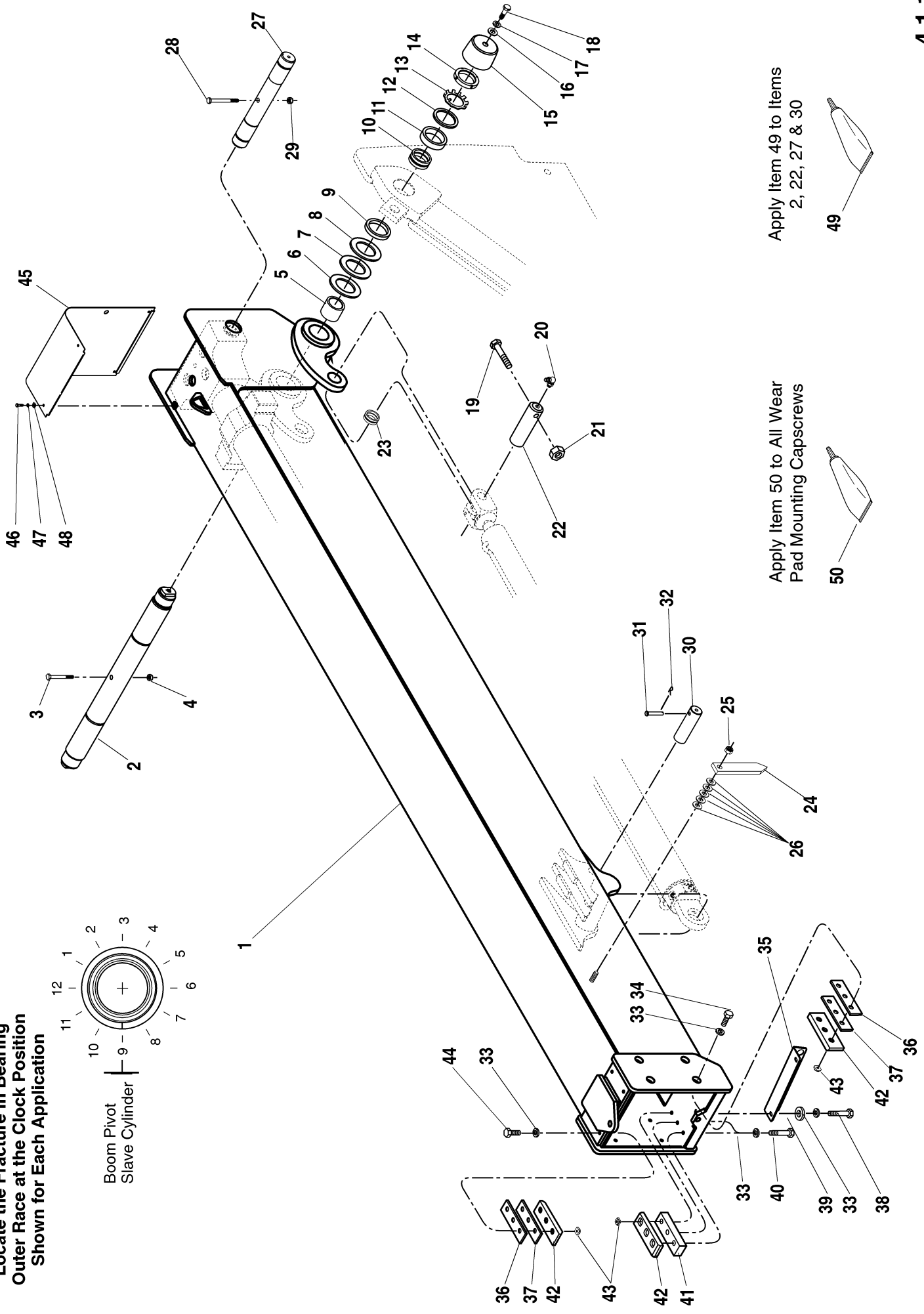
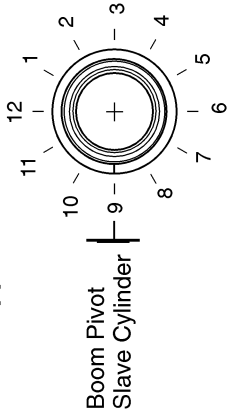
3.18.1

TABLE OF CONTENTS

Section 4 — Boom Assembly

Outer Boom Assembly (High Pivot)	4.1.1
Outer Boom Assembly (Low Pivot)	4.2.1
Intermediate Boom Assembly	4.3.1
Inner Boom Assembly (High Pivot)	4.4.1
Inner Boom Assembly (Low Pivot)	4.5.1
Boom Extend Chains	4.6.1
Boom Retract Chains	4.7.1
Quick Attach Assembly	4.8.1

Locate the Fracture in Bearing
Outer Race at the Clock Position
Shown for Each Application



Apply Item 49 to Items
2, 22, 27 & 30



Apply Item 50 to All Wear
Pad Mounting Cap screws



ITEM	PART NO.	QTY.	DESCRIPTION	ITEM	PART NO.	QTY.	DESCRIPTION
1	7138193	1	Boom, Outer, High Pivot	37	7126182	A/R	Shim, Wear Pad .07" Thk.
2	7139405	1	Pin, Boom Pivot	38	8303679	2	HHCS, 3/8"-16 x 3/4" Gr. 5
3	8310076	1	HHCS, 5/8-11 x 7" Gr. 5	39	8307204	2	Washer, Plain 3/8" Wide
4	8305643	1	Nut, Hex Lock Elastic 5/8"-11	40	8303621	4	HHCS, 3/8"-16 x 2" Gr. 5
5	7137772	2	Bushing, Boom Pivot	41	7135442	2	Spacer, Wear Pad
6	8310259	2	Shim, 3.06" x 0.09" x 4.75"	42	7111572	8	Wear Pad
7	8307913	2	Shim, 3.06" x 0.12" x 4.75"	43	7135432	18	Insert, Wear Pad
8	8307912	2	Shim, 3.06" x 0.06" x 4.75"	44	8303675	4	HHCS, 3/8"-16 x 1-1/4" Gr. 5
9	7139330	2	Spacer	45	7139429	1	Cover, Rear Boom
10	8050007	2	Bearing, Self Align	46	8303005	4	HHCS, 1/4"-20 x 7/8"
11	7139331	2	Spacer	47	8307002	4	Washer, Lock, 1/4"
12	8310550	2	Bushing, Machine	48	8307202	4	Washer, Plain, 1/4"
13	8310531	2	Washer, Lock, Ext. Tooth	49	8522012	A/R	Lube, Anti-Seize
14	8310532	2	Nut, Lock, Bearing Retention	50	8526007	A/R	Thread Locking Compound
15	7139554	2	Cap, Boom Pivot Pin				
16	8307104	2	Washer, Flat 3/4"				
17	8307010	2	Washer, Lock 3/4"				
18	8310549	2	HHCSF 3/4"-10 x 1" GR. 5				
19	8303752	2	HHCS, 5/16-18 X 3-1/2"				
20	8520003	2	Fitting, Lube, 90°				
21	8305626	2	Nut, Hex Lock 5/16"-18				
22	7137142	2	Pin, Slave Cylinder				
23	8050001	2	Bearing, Self Align				
24	7075611	1	Pointer, Boom Angle Indicator				
25	8305647	1	Nut, Hex Lock 7/16-14				
26	8307113	5	Washer, Plain 7/16" Narrow				
27	7139158	1	Pin, Trunnion				
28	8310209	1	HHCS 1/2"-13 x 6" Gr. 5				
29	8305643	1	Nut, Hex Lock Elastic 5/8"-11				
30	7139324	1	Pin, Hoist Cylinder				
31	7139502	1	Pin, Clevis, Hoist Keeper				
32	8130211	1	Hair Pin (Cotter) .143				
33	8307005	18	Washer, Lock 3/8"				
34	8303681	18	HHCS, 3/8"-16 X 3/4" Gr. 5				
35	7138642	1	Bracket, Bulkhead, Boom Tube				
36	7126172	A/R	Shim, Wear Pad .13" Thk.				

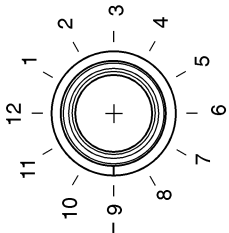
Origin
05/01

4270H
4270L
4290H
4290L

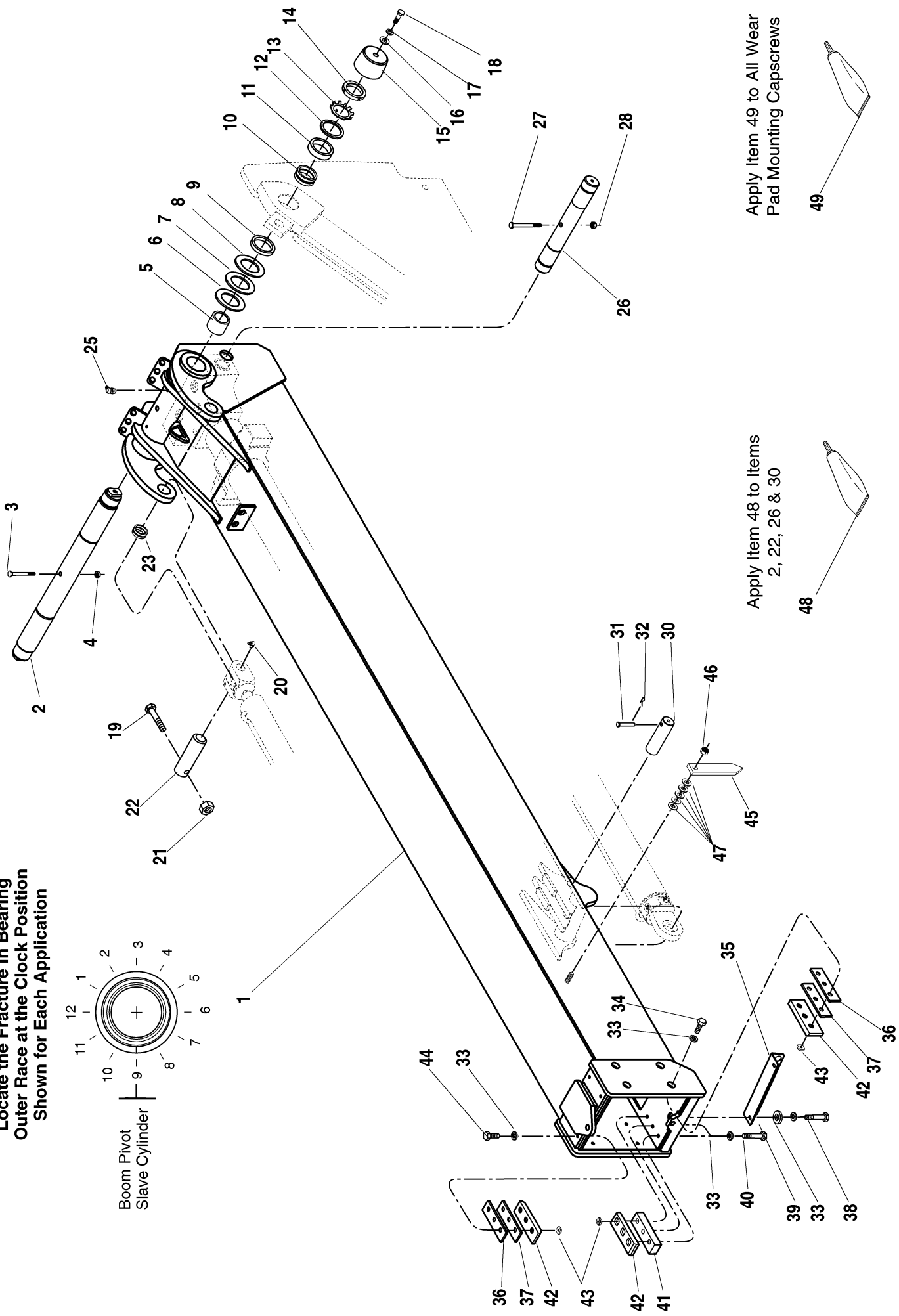
S/N 14409-

OUTER BOOM ASSEMBLY (HIGH PIVOT) 4.1.1

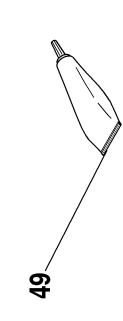
**Locate the Fracture in Bearing
Outer Race at the Clock Position
Shown for Each Application**



Boom Pivot
Slave Cylinder



Apply Item 49 to All Wear
Pad Mounting Capscrews



Apply Item 48 to Items
2, 22, 26 & 30



ITEM PART NO. QTY. DESCRIPTION

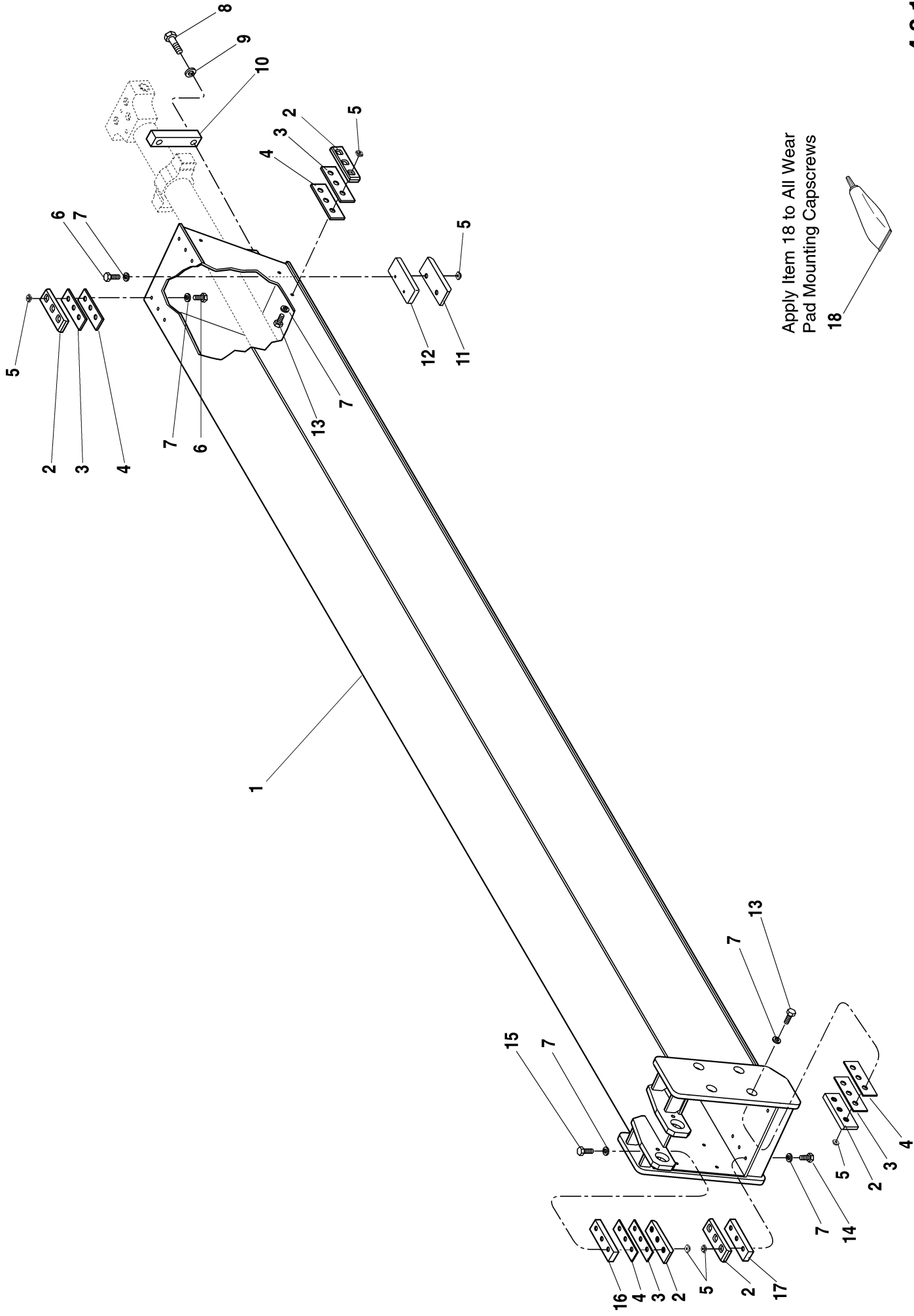
1	7138193	1	Boom, Outer, Low Pivot	37	7126182	A/R	Shim, Wear Pad .07" Thk.
2	7136852	1	Pin, Boom Pivot	38	8303679	2	HHCS, 3/8-16 x 3/4" Gr. 5
3	8305643	1	Nut, Hex Lock Elastic 5/8"-11	39	8307204	2	Washer, Plain 3/8" Wide
4	7137772	2	Bushing, Boom Pivot	40	8303621	4	HHCS, 3/8-16 x 2" Gr. 5
5	7137772	2	Bushing, Boom Pivot	41	7135442	2	Spacer, Wear Pad
6	8310259	2	Shim, 3.06" x 0.09" x 4.75"	42	7111572	8	Wear Pad
7	8307913	2	Shim, 3.06" x 0.12" x 4.75"	43	7135432	18	Insert, Wear Pad
8	8307912	2	Shim, 3.06" x 0.06" x 4.75"	44	8303675	4	HHCS, 3/8-16 x 1-1/4" Gr. 5
9	7139330	2	Spacer	45	7075611	1	Pointer, Boom Angle Indicator
10	8050007	2	Bearing, Self Align	46	8305647	1	Nut, Hex Lock 7/16-14
11	7139331	2	Spacer	47	8307113	5	Washer, Plain 7/16" Narrow
12	8310550	2	Bushing, Machine	48	8522012	A/R	Lube, Anti-Seize
13	8310531	2	Washer, Lock, Ext. Tooth	49	8526007	A/R	Thread Locking Compound
14	8310532	2	Nut, Lock, Bearing Retention				
15	7139554	2	Cap, Boom Pivot Pin				
16	8307104	2	Washer, Flat 3/4"				
17	8307010	2	Washer, Lock 3/4"				
18	8310549	2	HHCSF 3/4"-10 x 1" GR. 5				
19	8303752	2	HHCS, 5/16-18 X 3-1/2"				
20	8520003	2	Fitting, Lube, 90°				
21	8305626	2	Nut, Hex Lock 5/16"-18				
22	7137142	2	Pin, Slave Cylinder				
23	8050001	2	Bearing, Self Align				
24	8310076	1	HHCS, 5/8-11 x 7" Gr. 5				
25	8520021	2	Fitting, Lubrication 90°				
26	7139158	1	Pin, Trunnion				
27	8310209	1	HHCS 1/2"-13 x 6" Gr. 5				
28	8305643	1	Nut, Hex Lock Elastic 5/8"-11				
29	8305643	1	Nut, Hex Lock Elastic 5/8"-11				
30	7139324	1	Pin, Hoist Cylinder				
31	7139502	1	Pin, Clevis, Hoist Keeper				
32	8130211	1	Hair Pin (Cotter) .143				
33	8307005	18	Washer, Lock 3/8"				
34	8303681	8	HHCS, 3/8-16 X 3/4" Gr. 5				
35	7138642	1	Bracket, Bulkhead, Boom Tube				
36	7126172	A/R	Shim, Wear Pad .13" Thk.				

Origin
05/01

4270H
4270L
4290H
4290L

S/N 14409-

OUTER BOOM ASSEMBLY (LOW PIVOT) 4.2.1



Apply Item 18 to All Wear
Pad Mounting Capscrews



ITEM PART NO. QTY. DESCRIPTION

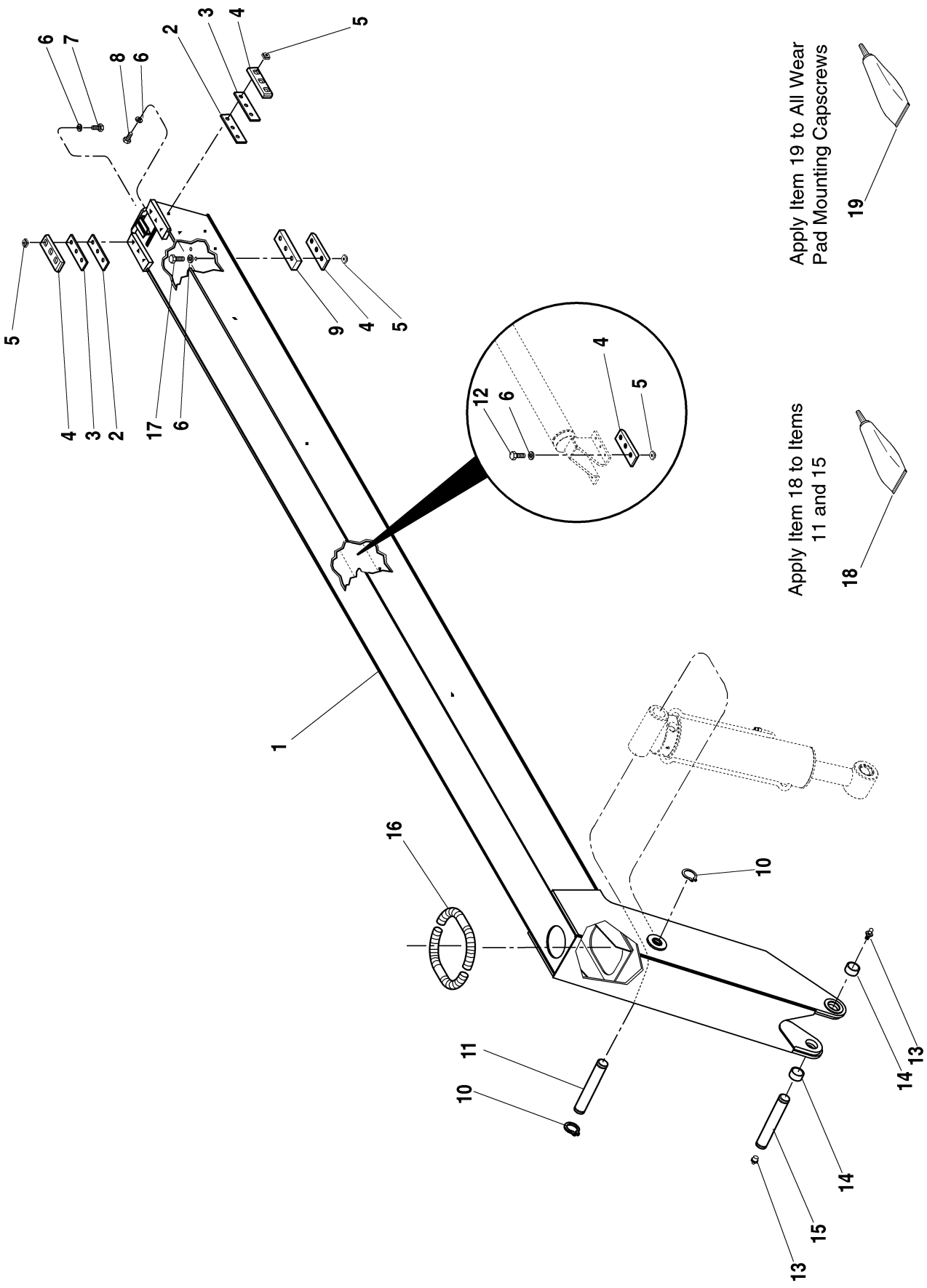
1	7138194	1	Boom, Intermediate
2	7111572	14	Pad, Wear
3	7126182	A/R	Shim, Wear Pad .07" thk
4	7126172	A/R	Shim, Wear Pad .04" thk
5	7135432	40	Insert, Wear Pad
6	8303620	10	HHCS, 3/8-16 x 1" Gr.5
7	8307005	36	Washer, Lock 3/8"
8	8303693	4	HHCS, 1/2-13 X 2-1/2" Gr. 5
9	8307007	4	Washer, Lock 1/2"
10	7121461	2	Clamp, Trunnion, Extend Cylinder
11	7139020	2	Pad, Wear
12	7139018	2	Spacer, Wear Pad
13	8303681	16	HHCS, 3/8-16 x 3/4" Gr.5
14	8303621	6	HHCS, 3/8-16 x 1-1/2" Gr.5
15	8303622	4	HHCS, 3/8-16 X 2" Gr. 5
16	7137822	2	Spacer, Wear Pad
17	7135442	2	Spacer, Wear Pad
18	8526007	A/R	Thread Locking Compound

Origin
05/01

S/N 14409-

4270H
4270L
4290H
4290L

INTERMEDIATE BOOM ASSEMBLY 4.3.1



Apply Item 19 to All Wear Pad Mounting Capscrews



Apply Item 18 to Items 11 and 15



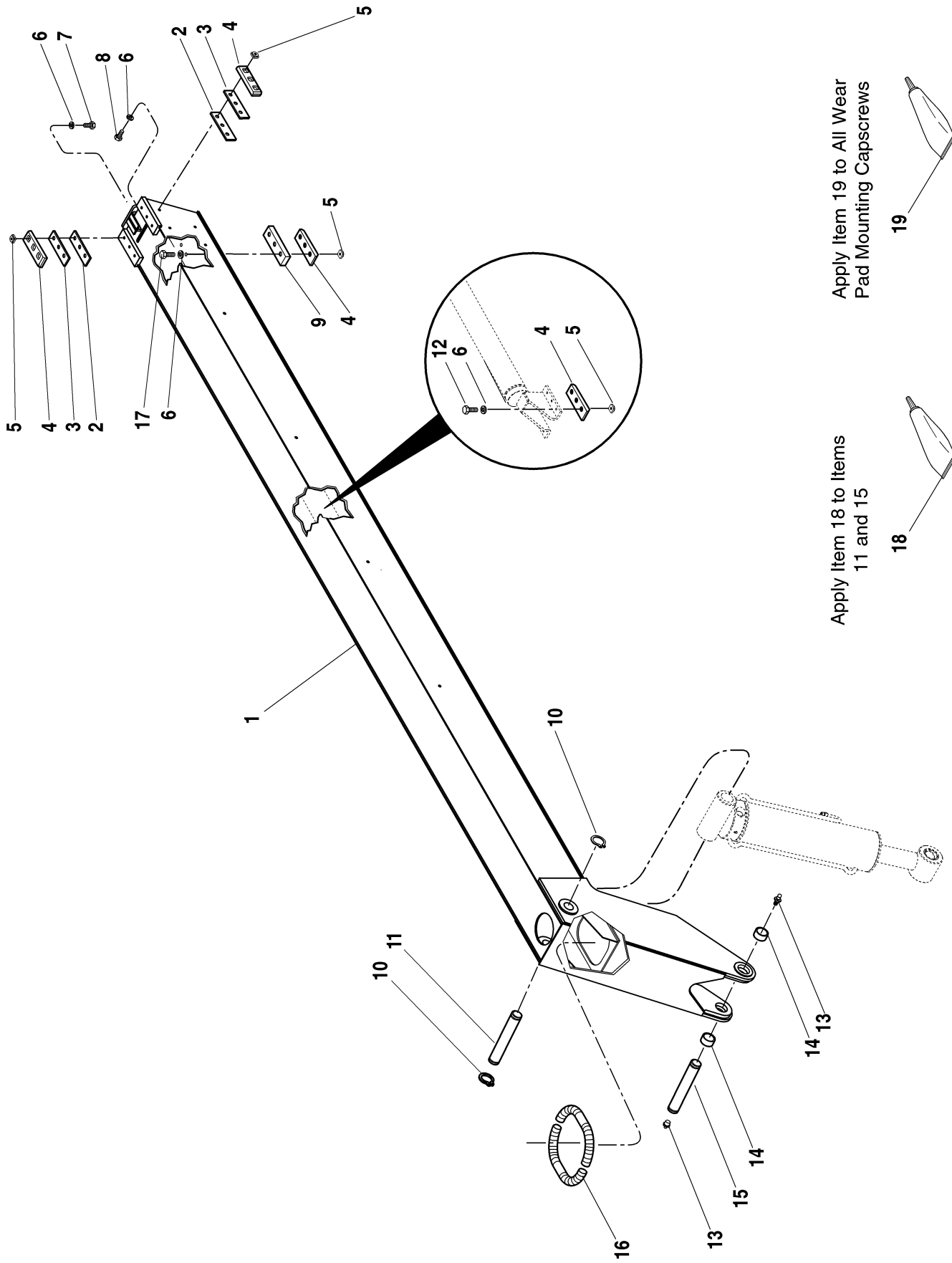
ITEM PART NO. QTY. DESCRIPTION

1	7139309	1	Boom, Inner, High Pivot
2	7126172	A/R	Shim, Wear Pad .13" Thk.
3	7126182	A/R	Shim, Wear Pad .07" Thk.
4	7135413	10	Wear Pad
5	7135432	24	Insert, Wear Pad
6	8307005	24	Washer, Lock 3/8"
7	8303679	6	HHCS, 3/8-16 X 1-3/4" Gr. 5
8	8303681	8	HHCS, 3/8-16 X 3/4" Gr. 5
9	7135442	2	Spacer, Wear Pad
10	8642224	2	Ring, Retaining, External 2"
11	7136322	1	Pin, Attachment Tilt Cylinder Base
12	8303622	6	HHCS, 3/8-16 x 1" Gr. 5
13	8520001	2	Fitting, Lube 1/8" NPT
14	7085542	2	Bushing, Quick Attach Pivot
15	7083922	1	Pin, Carriage Pivot
16	7124331	A/R	Conduit, 0.5 x 60" Lg. (Cut to Fit)
17	8303621	4	HHCS, 3/8-16 X 1-1/2" Gr. 5
18	8522012	A/R	Lube, Anti-Seize
19	8526007	A/R	Thread Locking Compound

S/N 14409-

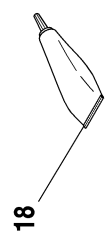
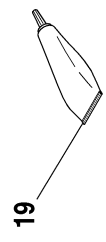
INNER BOOM ASSEMBLY (HIGH PIVOT)

4.4.1



Apply Item 19 to All Wear
Pad Mounting Capscrews

Apply Item 18 to Items
11 and 15



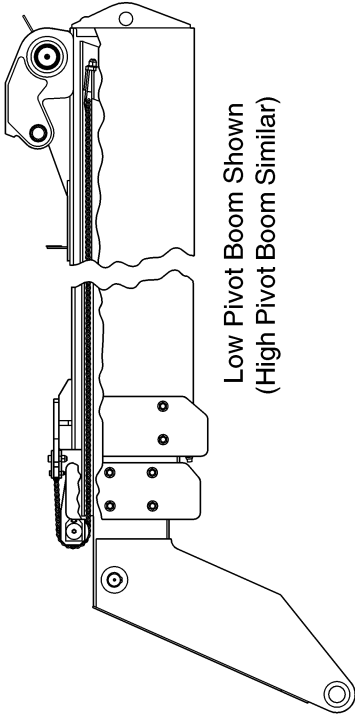
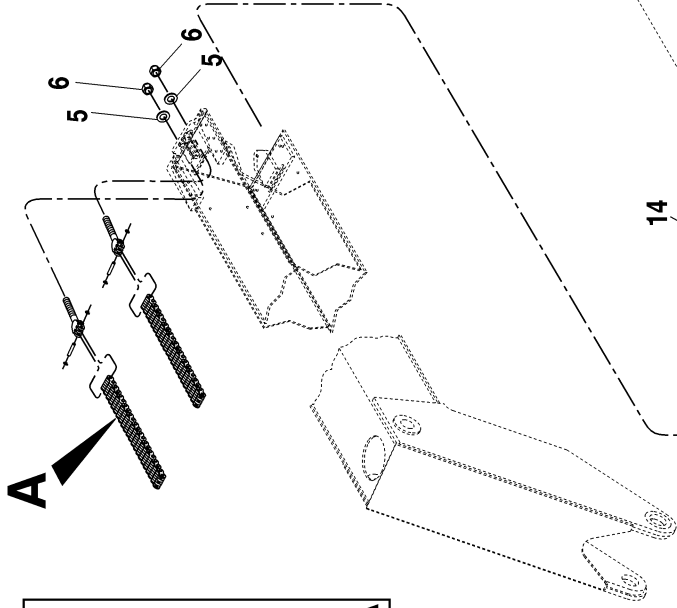
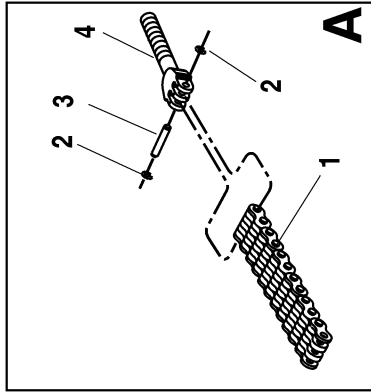
ITEM PART NO. QTY. DESCRIPTION

1	7138623	1	Boom, Inner, Low Pivot
2	7126172	A/R	Shim, Wear Pad .13" Thk.
3	7126182	A/R	Shim, Wear Pad .07" Thk.
4	7135413	10	Wear Pad
5	7135432	24	Insert, Wear Pad
6	8307005	24	Washer, Lock 3/8"
7	8303679	6	HHCS, 3/8-16 x 1-3/4" Gr. 5
8	8303681	8	HHCS, 3/8-16 x 3/4" Gr. 5
9	7135442	2	Spacer, Wear Pad
10	8642224	2	Ring, Retaining, External 2"
11	7136322	1	Pin, Attachment Tilt Cylinder Base
12	8303622	6	HHCS, 3/8-16 x 1" Gr. 5
13	8520001	2	Fitting, Lube 1/8" NPT
14	7085542	2	Bushing, Quick Attach Pivot
15	7083922	1	Pin, Carriage Pivot
16	7124331	A/R	Conduit, 0.5 x 60" Lg. (Cut to Fit)
17	8303621	4	HHCS, 3/8-16 X 1-1/2" Gr. 5
18	8522012	A/R	Lube, Anti-Seize
19	8526007	A/R	Thread Locking Compound

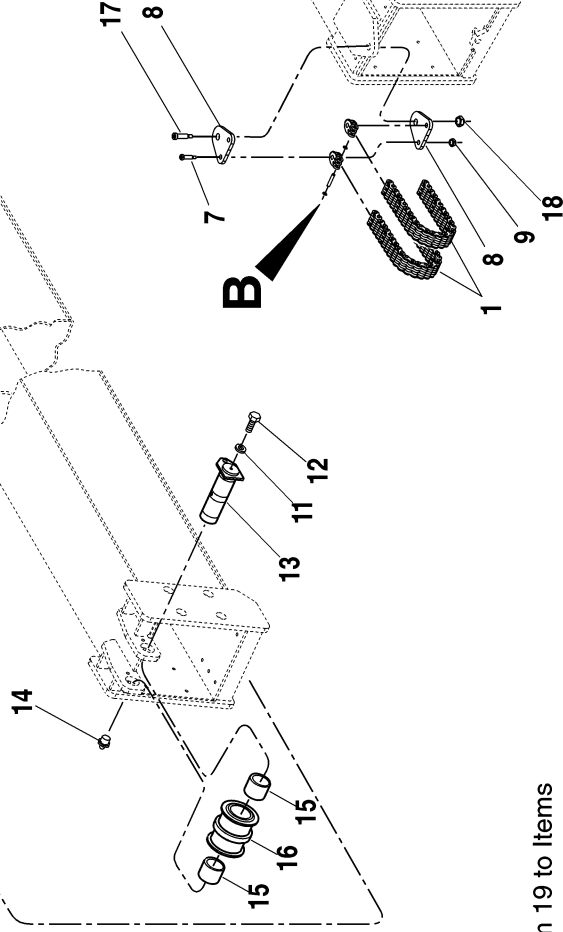
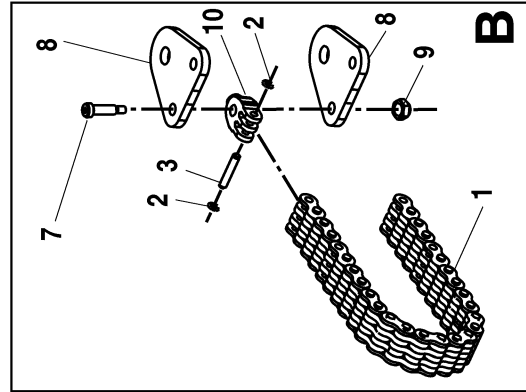
S/N 14409-

INNER BOOM ASSEMBLY (LOW PIVOT)

4.5.1



Low Pivot Boom Shown
(High Pivot Boom Similar)



Apply Item 19 to Items
10 and 13



ITEM PART NO. QTY. DESCRIPTION

1	8127018	2	Chain, Extend, Leaf 3/4" Pitch
2	8642237	8	Ring, Retaining
3	8124126	4	Pin, Chain Clevis
4	7119362	3	Clevis, Chain
5	8307104	2	Washer, Flat, 0.75, SAE
6	8305646	2	Nut, Hex Lock 0.75-16 NF
7	8310019	2	SHRS, 0.50 x 1.50 x 3/8-16
8	7134851	2	Yoke, Extend Chain
9	8305645	2	Nut, Hex Lock 0.375-16 NC
10	7119372	3	Clevis, Chain Anchor
11	8307007	2	Washer, Lock 1/2"
12	8303624	2	HHCS, 1/2-13 x 1"
13	7137082	1	Pin, Extend Chain Sheave
14	8520001	1	Lube, Fitting 1/8 NPT
15	7126662	2	Bushing, Chain Sheave
16	7114112	1	Sheave, Extend Chain
17	8310201	1	SHRS, 0.75 x 1.50 x 5/8-11
18	8305643	1	Nut, Hex Lock 0.625-11 NC
19	8522012	A/R	Lube, Anti-Seize

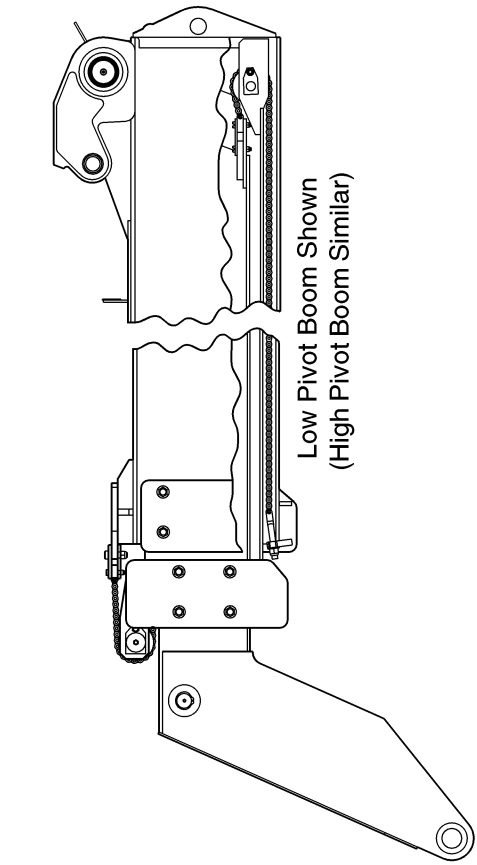
Origin
05/01

S/N 14409-

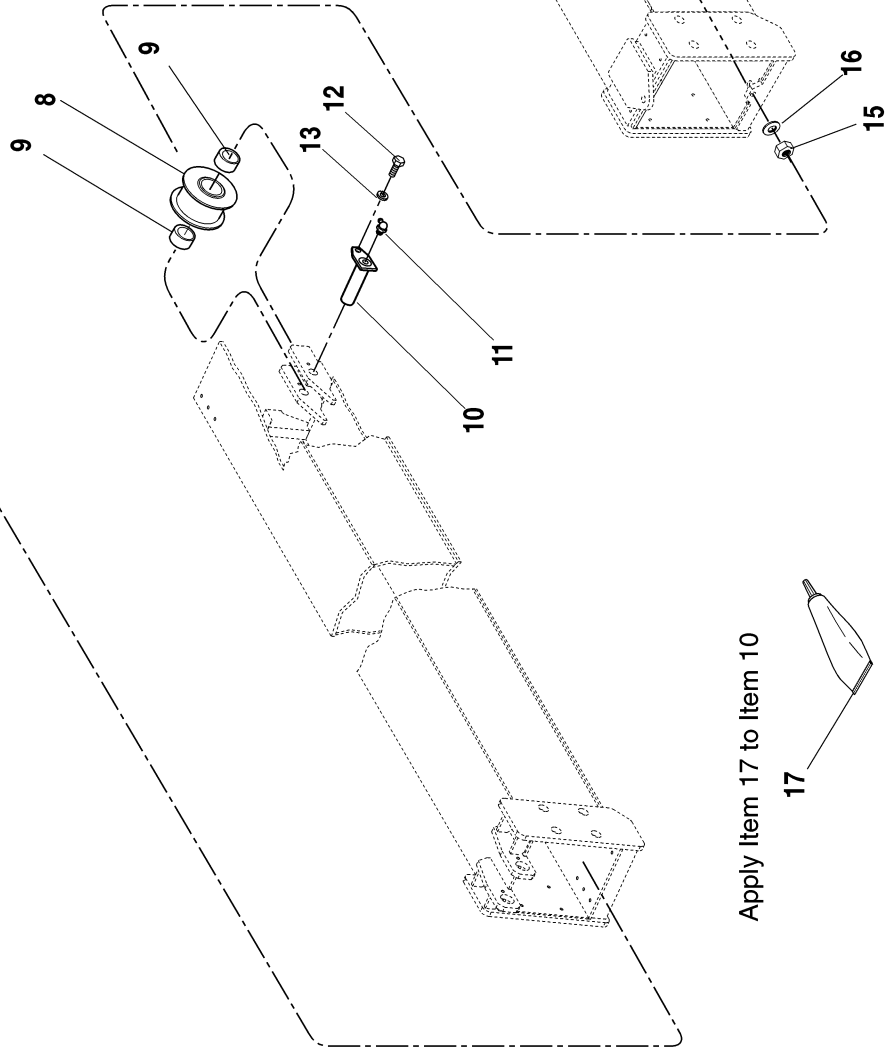
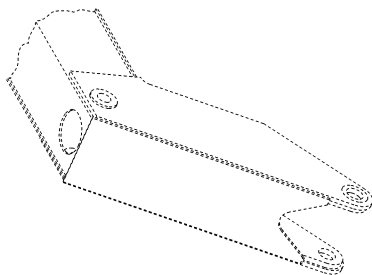
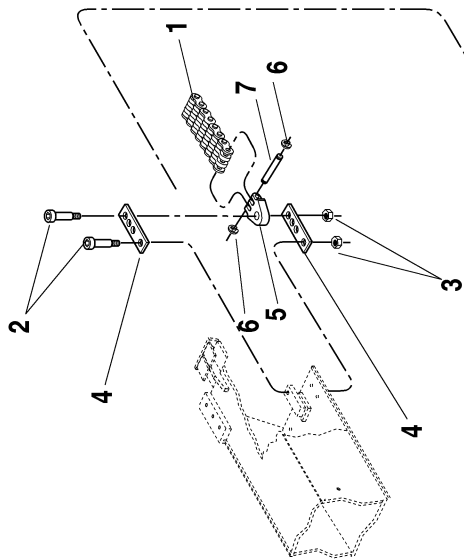
4270H
4270L
4290H
4290L

BOOM EXTEND CHAINS

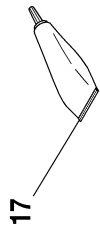
4.6.1



Low Pivot Boom Shown
(High Pivot Boom Similar)



Apply Item 17 to Item 10



ITEM PART NO. QTY. DESCRIPTION

1	8127016	1	Chain, Retract, Leaf 3/4 Pitch
2	8310019	2	Bolt, Shoulder, HSH. 1/2 x 1-1/2 x 3/8-16
3	8305645	2	Nut, Hex Lock Elastic 3/8-16
4	7121531	2	Link, Retract Chain Anchor
5	7119372	1	Clevis, Chain Anchor
6	8642237	4	Ring, Retaining
7	8124126	2	Pin, Chain Clevis
8	7138986	1	Sheave, Retract Chain (Includes Item 9)
9	7138979	2	Bushing, Retract Chain Sheave
10	7138977	1	Pin, Retract Chain Sheave
11	8520003	1	Fitting, Lube 90°
12	8303624	2	HHCS, 1/2-13 x 1"
13	8307007	2	Washer, Lock 1/2"
14	7119362	1	Clevis, Chain
15	8305646	1	Nut, Hex Lock Elastic 3/4-16 NF
16	8307104	1	Washer, Flat 3/4" Narrow
17	8522012	A/R	Lube, Anti-Seize

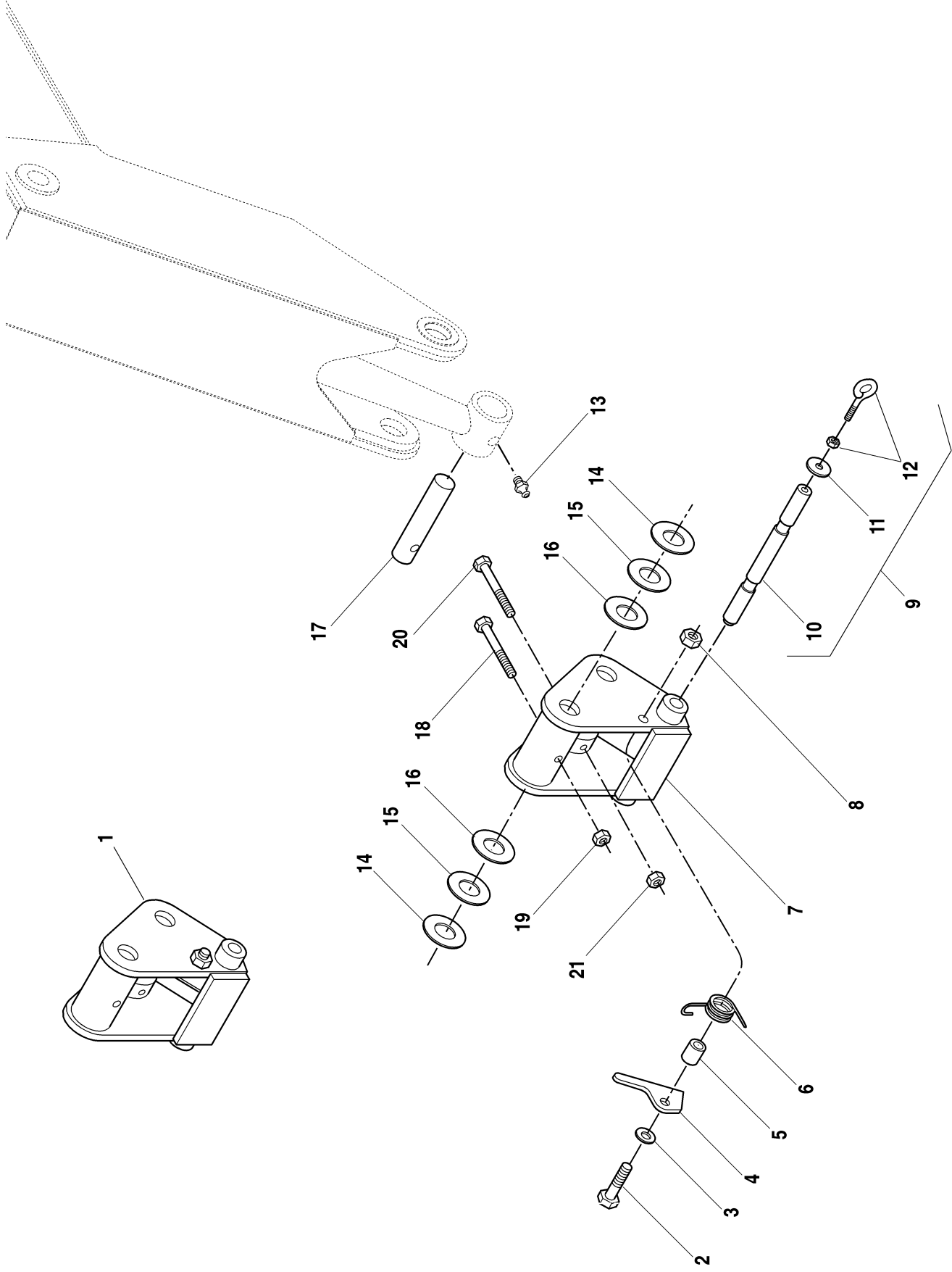
Origin
05/01

4270H
4270L
4290H
4290L

S/N 14409-

BOOM RETRACT CHAINS

4.7.1



ITEM PART NO. QTY. DESCRIPTION

1	7134863	1	Quick Attach Assembly (Includes Items 2 thru 8)
2	8303638	1	HHCS, 3/4-10 x 2-3/4" Gr. 5
3	8307104	1	Washer, Flat SAE 3/4"
4	7121422	1	Latch, Quick Attach
5	7085571	1	Spacer, Quick Attach
6	7085552	1	Spring, Torsion
7	7134873	1	Quick Attach
8	8305619	1	Nut, Hex Lock Elastic 3/4-10
9	7118892	1	Pin, Lock (Includes Items 10 thru 12)
10	7118882	1	Pin
11	8310276	1	Washer
12	8310266	1	Bolt, Eye w/Nut
13	8520013	1	Fitting, Lube, Self Tapping 1/8 NPT
14	8307918	A/R	Washer, Shim 2.00" x .134" x 3.50"
15	8310093	A/R	Washer, Shim 2.00" x .075" x 3.50"
16	8307904	A/R	Washer, Shim 2.00" x .048" x 3.50"
17	7138222	1	Pin, Rod End, Attachment Tilt Cylinder
18	8303666	1	HHCS, 5/8-11 x 5" Gr. 5
19	8305643	1	Nut, Hex Lock Elastic 5/8-11
20	8305644	1	HHCS, 1/2-13 x 5" Gr. 5
21	8303772	1	Nut, Hex Lock Elastic 1/2-13

Origin
05/01

4270H
4270L
4290H
4290L

S/N 14409-

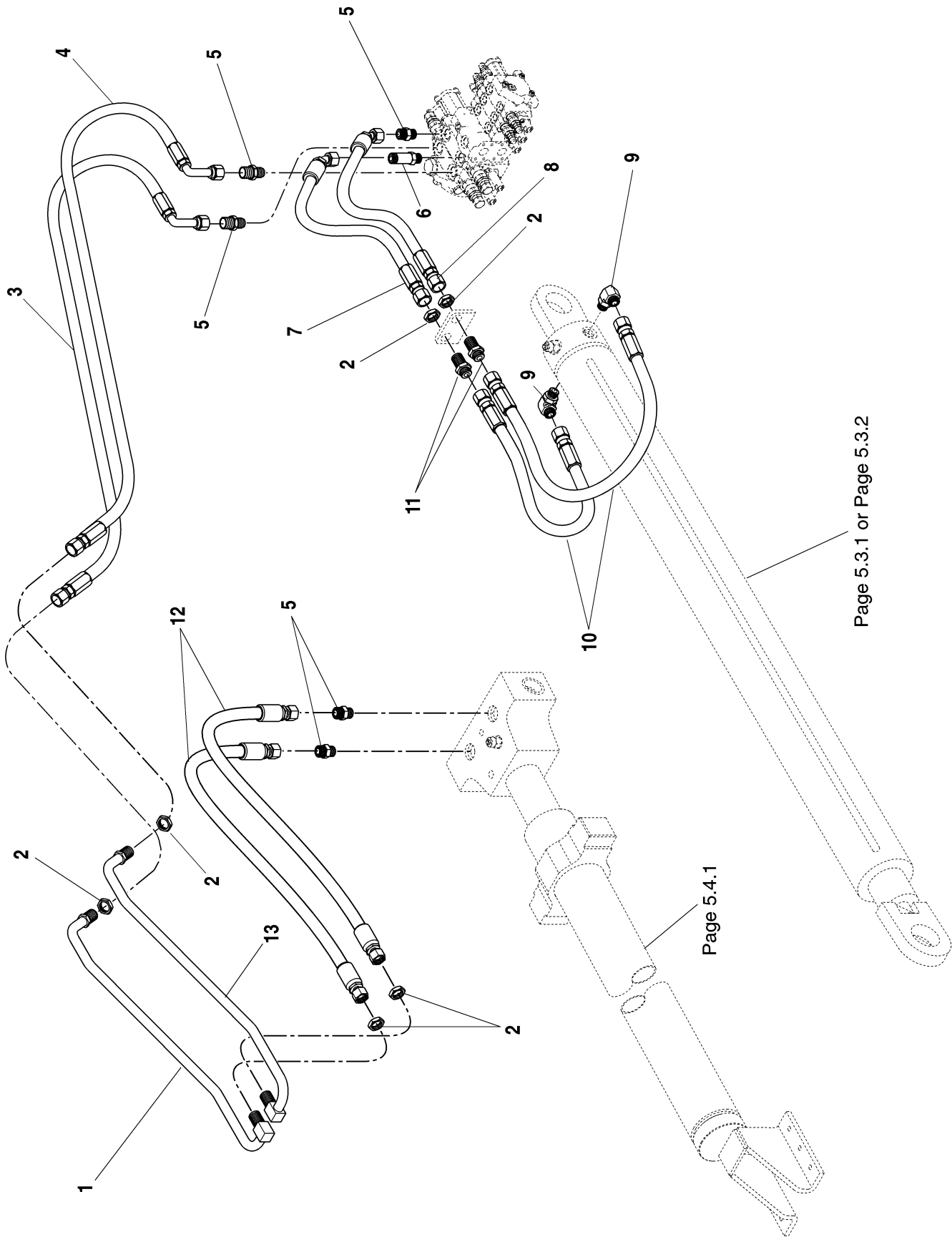
QUICK ATTACH ASSEMBLY

4.8.1

TABLE OF CONTENTS

Section 5 — Boom Hydraulic Circuits and Cylinders

Boom Lift/Lower & Extend/Retract Circuit (Low Pivot)	5.1.1
Boom Lift/Lower & Extend/Retract Circuit (High Pivot)	5.1.2
Attachment Tilt and Slave Circuit (Low Pivot)	5.2.1
Attachment Tilt and Slave Circuit (High Pivot)	5.2.2
Hoist Cylinder 4270	5.3.1
Hoist Cylinder 4290	5.3.2
Extend Cylinder	5.4.1
Slave Cylinder	5.5.1
Attachment Tilt Cylinder	5.6.1



Page 5.3.1 or Page 5.3.2

Page 5.4.1

ITEM PART NO. QTY. DESCRIPTION

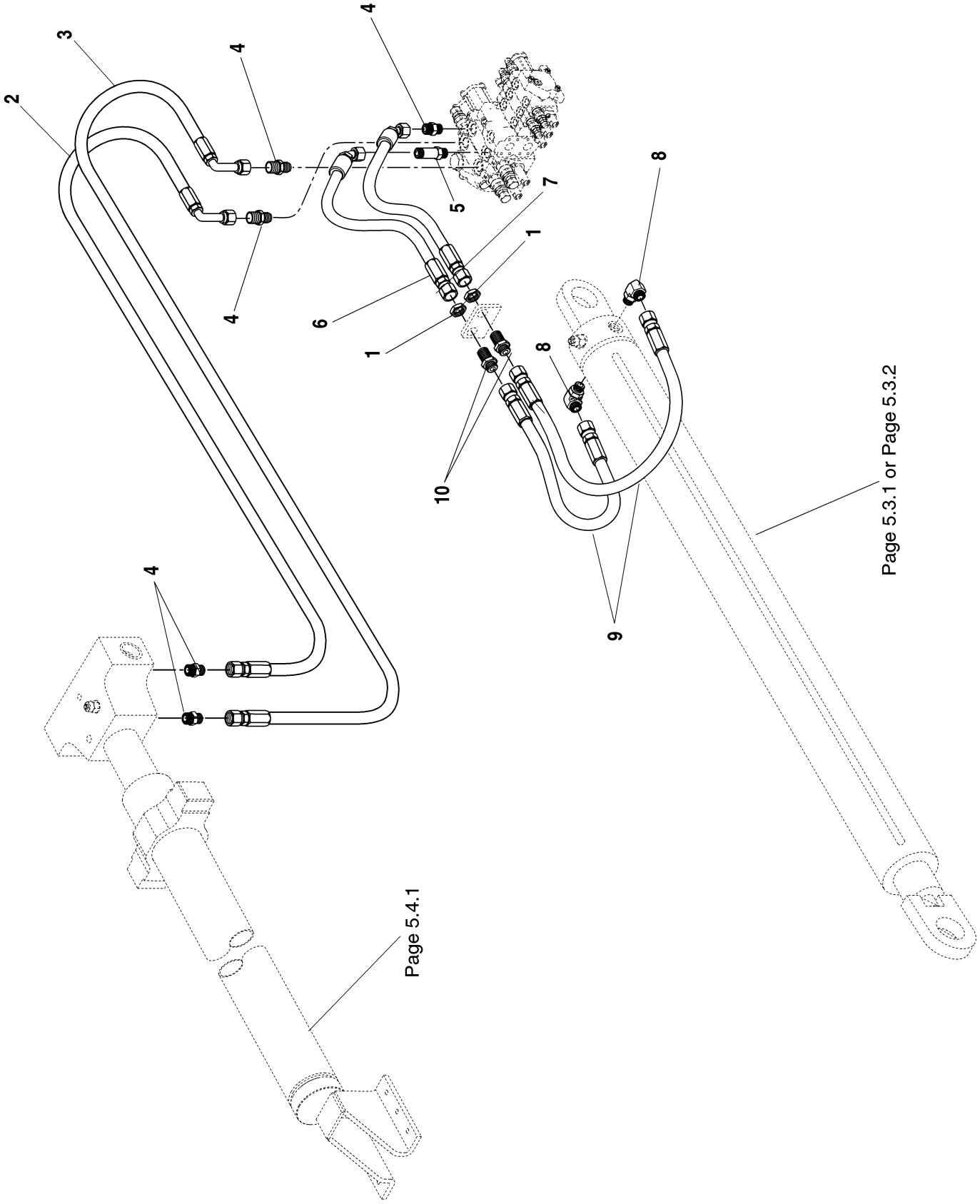
1	7137603	1	Tube Assembly (Retract)
2	8770085	6	Nut, Bulkhead, SAE 12 - OFS
3	2716643	1	Hose, 0.75 x 43.00" (Retract)
4	2716642	1	Hose, 0.75 x 47.50" (Extend)
5	8770070	5	Connector, SAE 12 - str. thd. ORB x OFS
6	8770163	1	Connector, Long, SAE 12 - str. thd. ORB x OFS
7	2716533	1	Hose, 0.75 x 25.50" (Lower)
8	2716532	1	Hose, 0.75 x 29.50" (Raise)
9	8770079	2	Elbow, 90°, SAE 12 - str. thd. ORB x OFS
10	2715052	2	Hose, 0.75 x 45.00"
11	8770086	2	Connector, Bulkhead, SAE 12 - OFS
12	2716492	2	Hose, 0.75 x 46.50"
13	7137593	1	Tube Assembly (Extend)

Origin
05/01

S/N 14409-

4270H
4270L
4290H
4290L ▼

BOOM LIFT/LOWER & EXTEND/RETRACT CIRCUIT (LOW PIVOT) 5.1.1



Page 5.4.1

Page 5.3.1 or Page 5.3.2

ITEM PART NO. QTY. DESCRIPTION

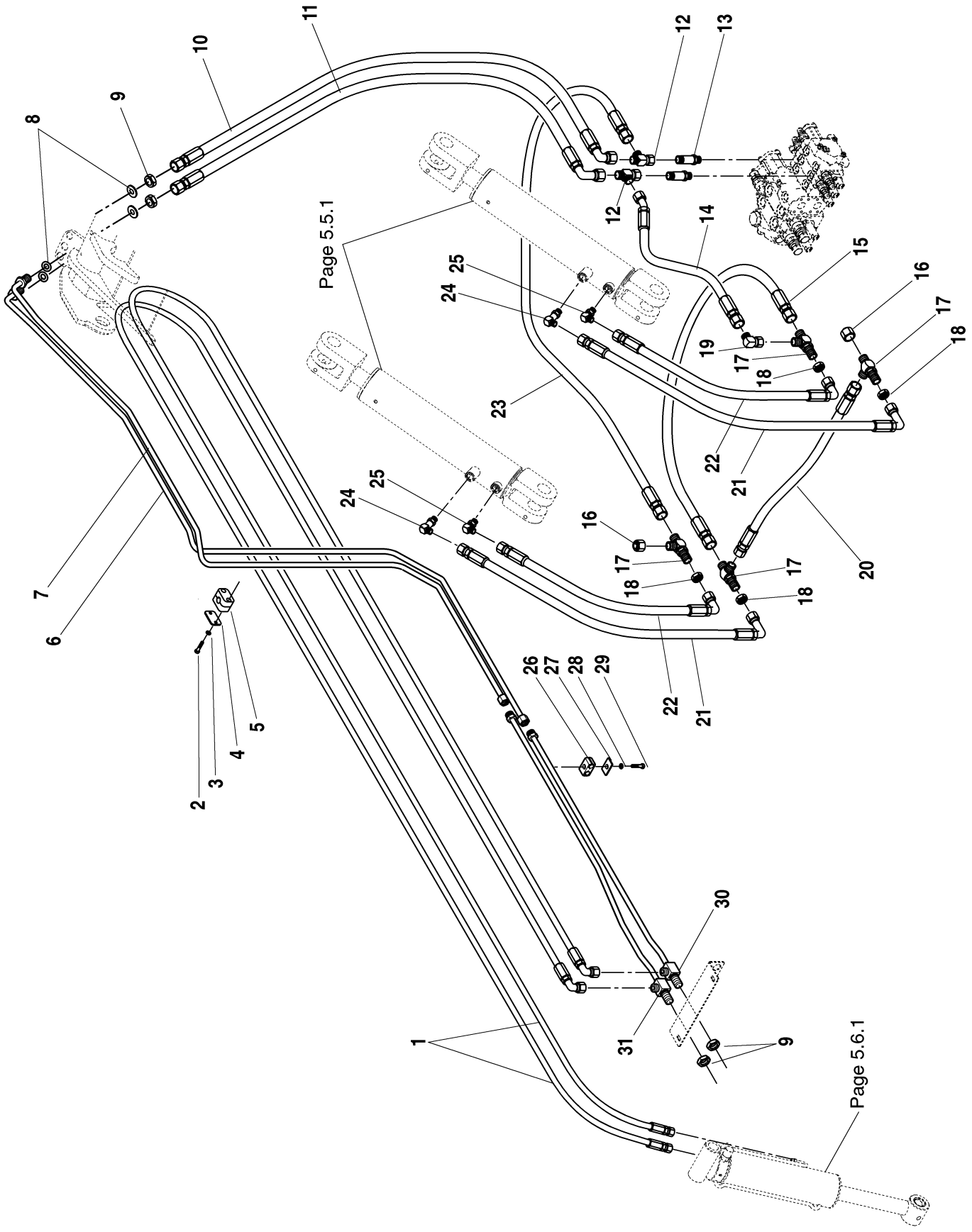
1	8770085	6	Nut, Bulkhead, SAE 12 - OFS
2	2716790	1	Hose, 0.75 x 43.00" (Extend)
3	2716642	1	Hose, 0.75 x 47.50" (Retract)
4	8770070	5	Connector, SAE 12 - str. thd. ORB x OFS
5	8770163	1	Connector, Long, SAE 12 - str. thd. ORB x OFS
6	2716533	1	Hose, 0.75 x 25.50" (Lower)
7	2716532	1	Hose, 0.75 x 29.50" (Raise)
8	8770079	2	Elbow, 90°, SAE 12 - str. thd. ORB x OFS
9	2715052	2	Hose, 0.75 x 45.00"
10	8770086	2	Connector, Bulkhead, SAE 12 - OFS

Rev. 000

S/N 14409-

4270H
4270L
4290H
4290L

BOOM LIFT/LOWER & EXTEND/RETRACT CIRCUIT (HIGH PIVOT) 5.1.2



ITEM PART NO. QTY. DESCRIPTION

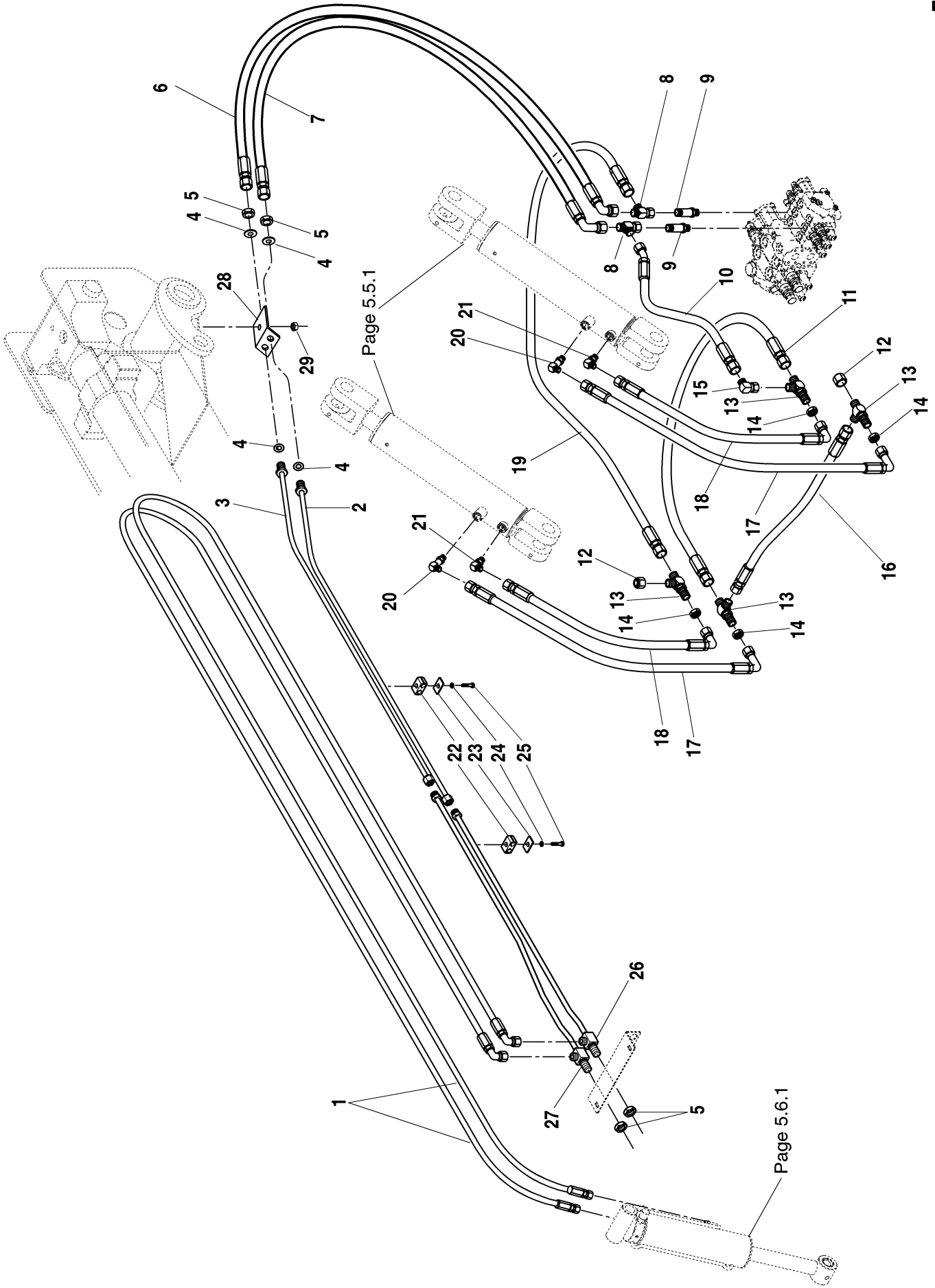
1	2716620	2	Hose, 0.50 x 407"
2	8303743	4	HHCS, 1/4"-20 x 1-1/2"
3	8307002	4	Washer, Lock, 1/4"
4	8769153	2	Plate, Cover
5	8769154	2	Clamp Set, 5/8"
6	7136133	1	Tube Assembly
7	7136123	1	Tube Assembly
8	5724302	4	Shim
9	8770075	2	Nut, Bulkhead, SAE 10 - OFS
10	2716644	1	Hose, 0.50 x 49.00"
11	2716645	1	Hose, 0.50 x 52.13"
12	8770125	2	Tee, Swivel Run, SAE 8 - OFS
13	8770117	2	Connector, Long, SAE 8 - str. thd. ORB x OFS
14	2716635	1	Hose, 0.50 x 24.38"
15	2716629	1	Hose, 0.50 x 31.00"
16	8770118	4	Cap, SAE 8 - OFS
17	8770167	4	Tee, Run, Bulkhead, SAE 8 - OFS
18	8770129	4	Nut, Bulkhead, SAE 8 - OFS
19	8770115	1	Elbow, 90° Swivel, SAE 8 - OFS
20	2716628	1	Hose, 0.50 x 15.25"
21	2716535	2	Hose, 0.50 x 24.88"
22	2716534	2	Hose, 0.50 x 17.88"
23	2716634	1	Hose, 0.50 x 55.00"
24	8770168	2	Elbow, Long, 90°, SAE 8 - str. thd. ORB x OFS
25	8770114	2	Elbow, 90°, SAE 8 - str. thd. ORB x OFS
26	8769122	2	Clamp Set, 5/8"
27	8769128	2	Plate, Cover
28	8307004	2	Washer, Lock, 5/16"
29	8303715	2	HHCS, 5/16"-18 x 1-1/2"
30	7139230	1	Tube Assembly
31	7139236	1	Tube Assembly

Origin
05/01

4270H
4270L
4290H
4290L

S/N 14409-

ATTACHMENT TILT AND SLAVE CIRCUIT (LOW PIVOT) 5.2.1



ITEM PART NO. QTY. DESCRIPTION

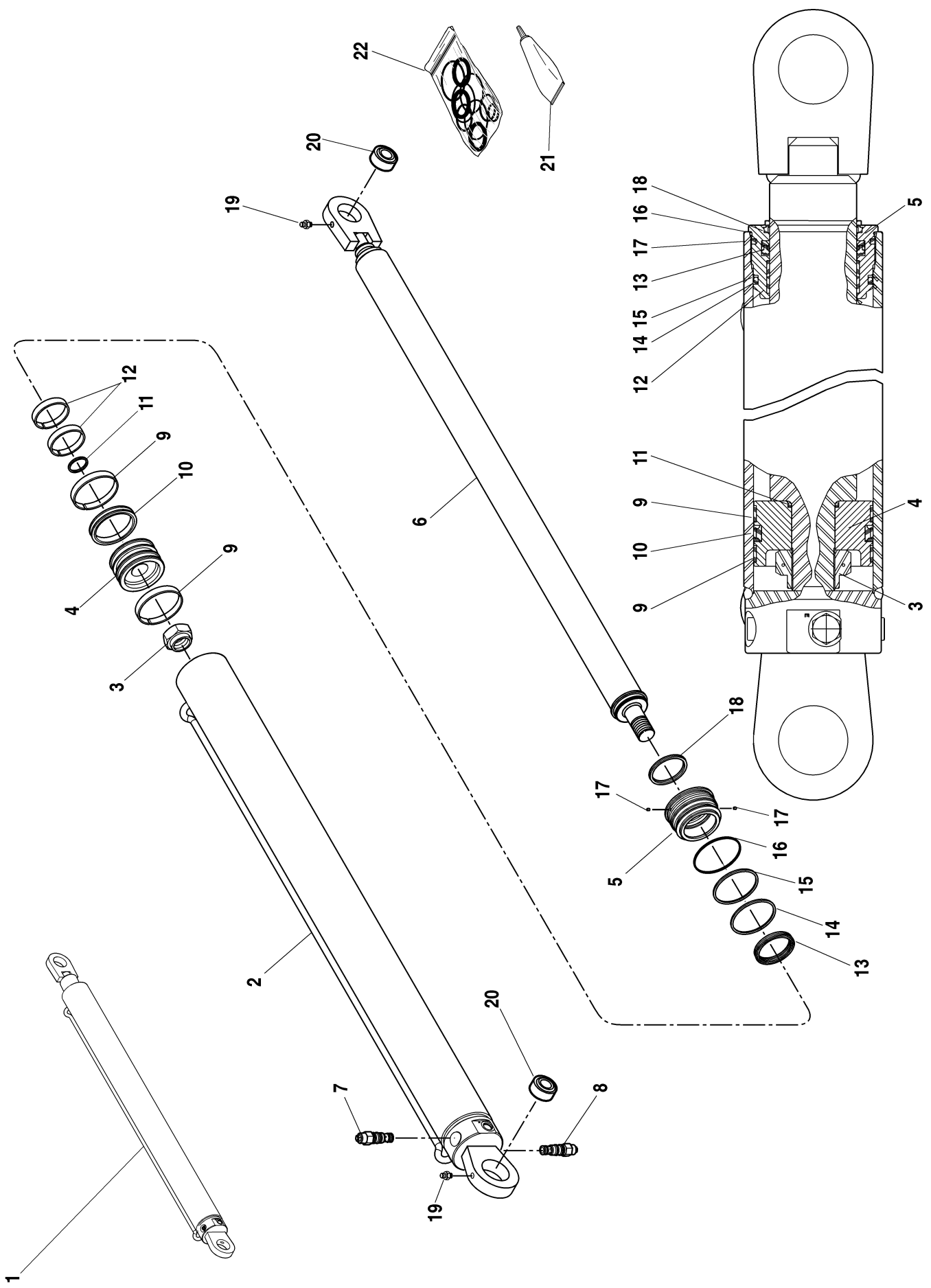
1	2716620	2	Hose, 0.50 x 407"
2	7139280	1	Tube Assembly
3	7139278	1	Tube Assembly
4	5724302	4	Shim
5	8770075	2	Nut, Bulkhead, SAE 10 - OFS
6	2716644	1	Hose, 0.50 x 49.00"
7	2716645	1	Hose, 0.50 x 52.13"
8	8770125	2	Tee, Swivel Run, SAE 8 - OFS
9	8770117	2	Connector, Long, SAE 8 - str. thd. ORB x OFS
10	2716635	1	Hose, 0.50 x 24.38"
11	2716629	1	Hose, 0.50 x 31.00"
12	8770118	4	Cap, SAE 8 - OFS
13	8770167	4	Tee, Run, Bulkhead, SAE 8 - OFS
14	8770129	4	Nut, Bulkhead, SAE 8 - OFS
15	8770115	1	Elbow, 90° Swivel, SAE 8 - OFS
16	2716628	1	Hose, 0.50 x 15.25"
17	2716535	2	Hose, 0.50 x 24.88"
18	2716534	2	Hose, 0.50 x 17.88"
19	2716634	1	Hose, 0.50 x 55.00"
20	8770168	2	Elbow, Long, 90°, SAE 8 - str. thd. ORB x OFS
21	8770114	2	Elbow, 90°, SAE 8 - str. thd. ORB x OFS
22	8769122	2	Clamp Set, 5/8"
23	8769128	2	Plate, Cover
24	8307004	2	Washer, Lock, 5/16"
25	8303715	2	HHCS, 5/16"-18 x 1-1/2"
26	7139230	1	Tube Assembly
27	7139236	1	Tube Assembly
28	7139443	1	Bracket, Bulkhead
29	8305645	1	Nut, Hex Lock Elastic 3/8-16

Origin
05/01

4270H
4270L
4290H
4290L

S/N 14409-

ATTACHMENT TILT AND SLAVE CIRCUIT (HIGH PIVOT) 5.2.2



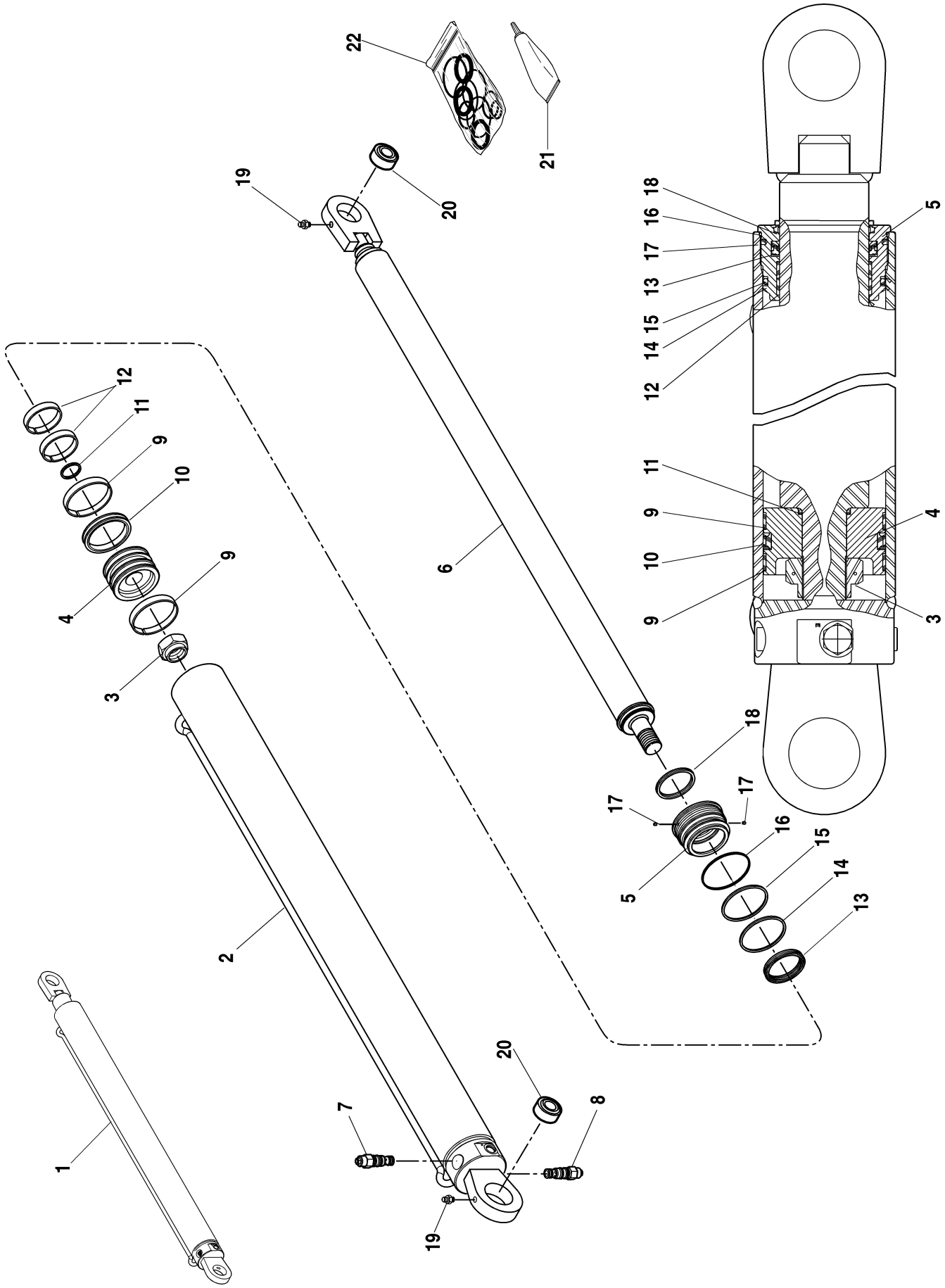
ITEM PART NO. QTY. DESCRIPTION

1	2716737	1	Cylinder, Hoist (Includes Items 2 thru 20)
2	N.S.S	1	Tube, Weldment (Order Item 1)
3	8035308	1	Nut, Hex Lock 2.00-12 UN
4	8035309	1	Piston
5	8035759	1	Gland, Head
6	8036237	1	Rod, Weldment
7	8902271	1	Valve, Counter Balance, M Style
8	8036229	1	PO Check Valve
9	See Kits	2	Wearband, Precision
10	See Kits	1	T-Seal, Capped
11	See Kits	1	O-Ring
12	See Kits	2	Wearband, Precision
13	See Kits	1	Z-Seal, Deep - w/Rod Back-Up
14	See Kits	1	O-Ring
15	See Kits	1	Ring, Back-Up
16	See Kits	1	O-Ring
17	See Kits	2	Locking Insert
18	See Kits	2	Wiper, Hd. Rod - Sealed O.D.
19	8520013	2	Fitting, Lube
20	8050072	2	Bearing, Self Align
21	8526011	A/R	Threadlocker, Loctite #271 (250cc)
N.S.S. = Not Sold Separately			
<u>KITS</u>			
22	8055760		Seal Kit (Includes Items 9 thru 18)

S/N 14409-

HOIST CYLINDER 4270

5.3.1



ITEM PART NO. QTY. DESCRIPTION

1	2716735	1	Cylinder, Hoist (Includes Items 2 thru 20)
2	N.S.S	1	Tube, Weldment (Order Item 1)
3	8035308	1	Nut, Hex Lock 2.00-12 UN
4	8036241	1	Piston
5	8036240	1	Gland, Head
6	8036238	1	Rod, Weldment
7	8902271	2	Valve, Counter Balance, M Style
8	8036229	1	PO Check Valve
9	See Kits	2	Wearband, Precision
10	See Kits	1	T-Seal, Capped
11	See Kits	1	O-Ring
12	See Kits	2	Wearband, Precision
13	See Kits	1	Z-Seal, Deep - w/Rod Back-Up
14	See Kits	1	O-Ring
15	See Kits	1	Ring, Back-Up
16	See Kits	1	O-Ring
17	See Kits	2	Locking Insert
18	See Kits	2	Wiper, Hd. Rod - Sealed O.D.
19	8520013	2	Fitting, Lube
20	8050072	2	Bearing, Self Align
21	8526011	A/R	Threadlocker, Loctite #271 (250cc)

N.S.S. = Not Sold Separately

KITS

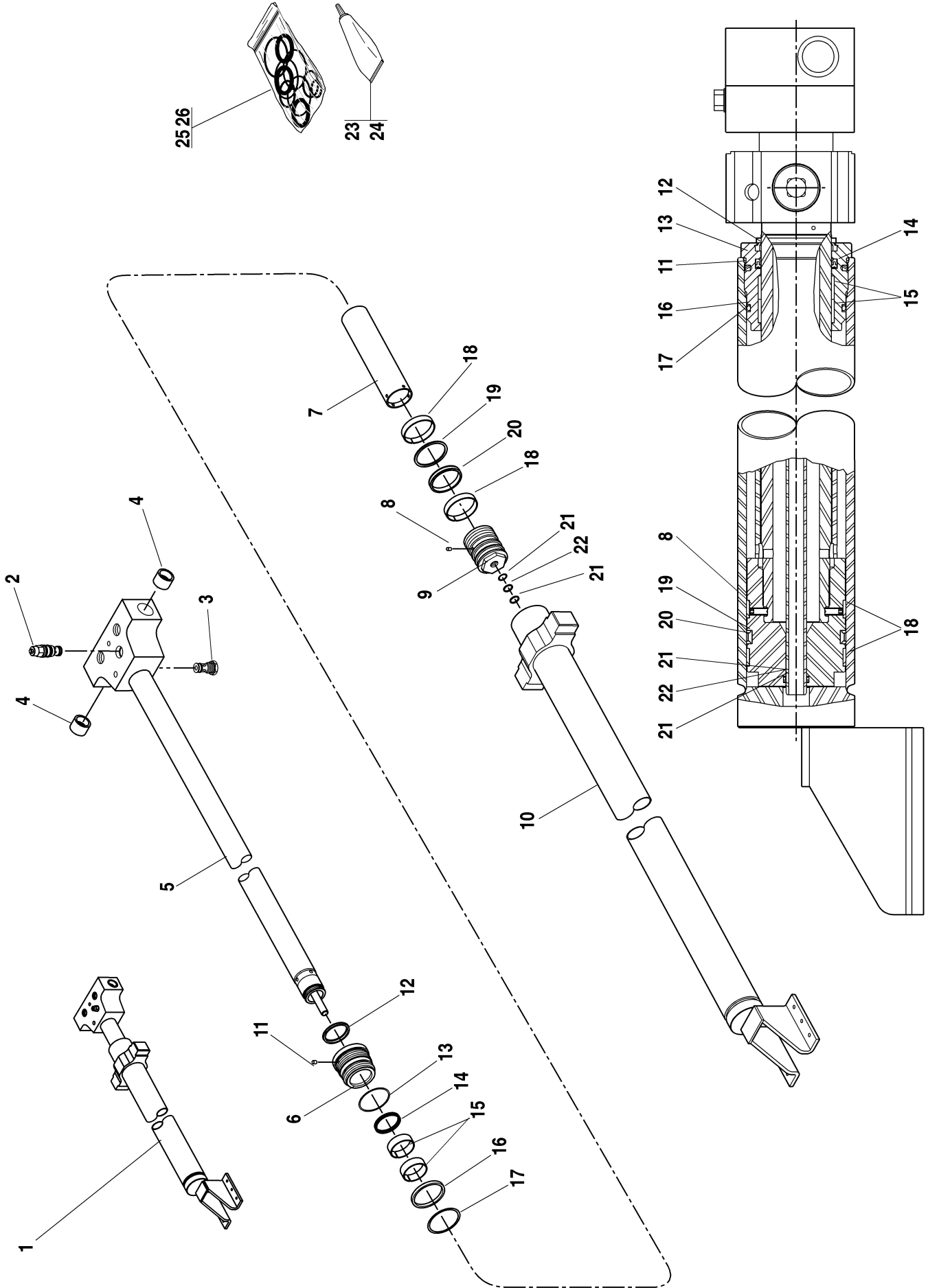
Seal Kit (Includes Items 9 thru 18)

22 8036074

S/N 14409-

HOIST CYLINDER 4290

5.3.2



ITEM PART NO. QTY. DESCRIPTION

1	2716736	1	Cylinder, Extend (Includes Items 2 thru 22)
2	8902271	1	CB Valve, M Style (4000)
3	8036229	1	PO Check Valve
4	8036230	2	Bushing, DU
5	8035766	1	Rod, Weldment
6	8035764		Gland, Head
7	8035765	1	Spacer, Rod
8	8035769	1	Screw, Set 5/16-18 UNC x .75" Long
9	8035763	1	Piston
10	N.S.S.	1	Tube, Weldment (Order Item 1)
11	See Kits	2	Locking Insert
12	See Kits	1	Wiper, Hd. Rod - Sealed O.D.
13	See Kits	1	O-Ring
14	See Kits	1	Z-Seal, Deep - w/Rod Back-Up
15	See Kits	2	Wearband, Precision
16	See Kits	1	Ring, Back-Up
17	See Kits	1	O-Ring
18	See Kits	2	Wearband, Precision
19	See Kits	1	Square Ring
20	See Kits	1	T-Seal, Capped
21	See Kits	1	O-Ring
22	See Kits	2	Ring, Back-Up - Dynamic
23	8526011	A/R	Threadlocker, Loctite #271 (250cc)
24	8526036	A/R	Threadlocker, Loctite #242 (.02 fl. oz.)

KITS

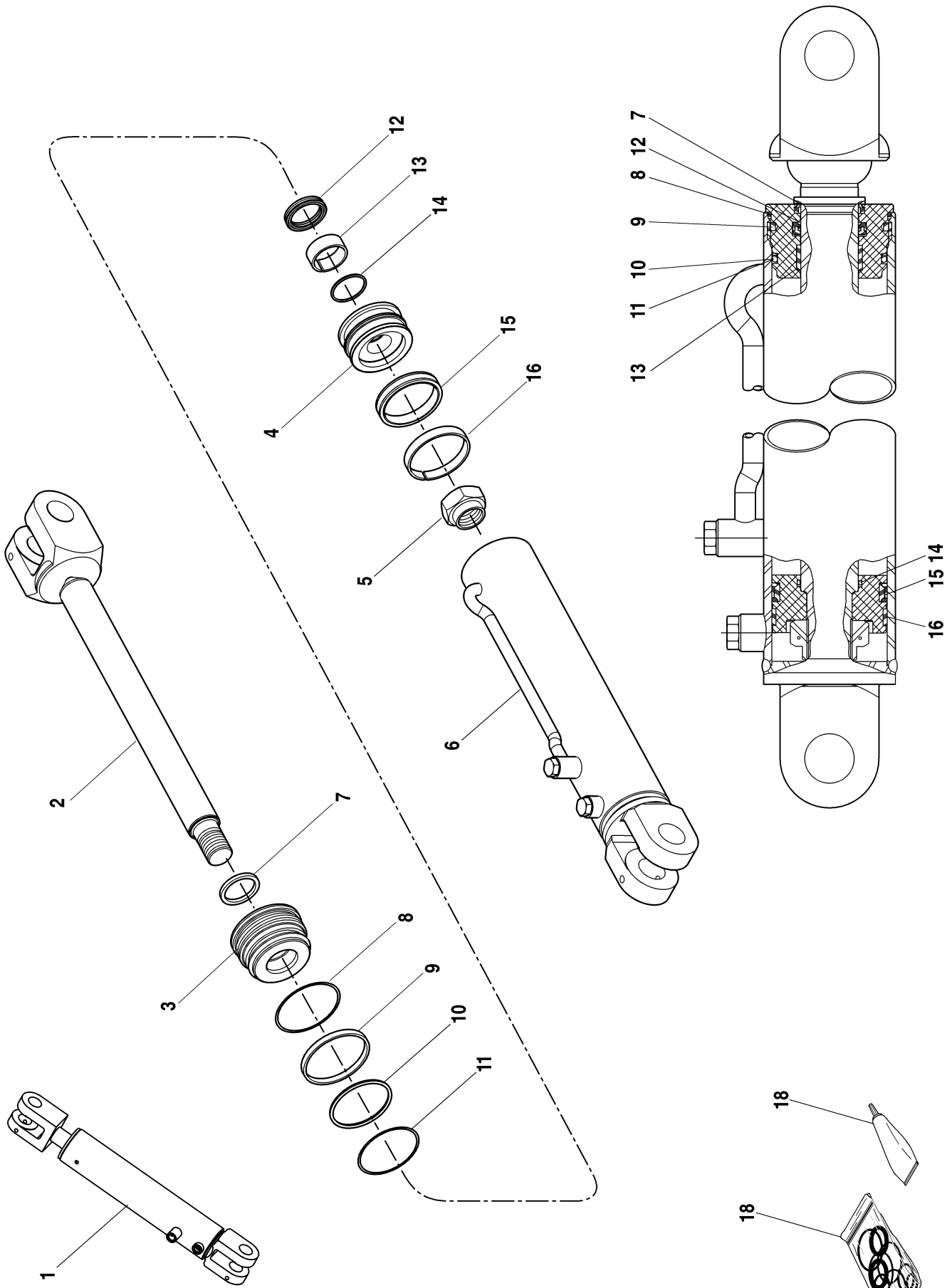
25	8036228	1	Seal Kit (Includes Items 11 thru 22)
26	8205656	1	Seal Kit for Items 2 & 3

N.S.S. = Not Sold Separately

Origin
05/01

4270H
4270L
4290H
4290L

S/N 14409-



ITEM PART NO. QTY. DESCRIPTION

1	2716373	1	Cylinder, Slave (Includes Items 2 thru 16)
2	8035548	1	Rod, Weldment
3	8035549	1	Gland, Head
4	8035550	1	Piston
5	8035547	1	Nut, Hex Lock 1.375-12 UNF
6	N.S.S	1	Tube (Order Item 1)
7	See Kits	1	Wiper, Hd. Rod - Sealed O.D.
8	See Kits	1	O-Ring
9	See Kits	1	Locking Insert
10	See Kits	1	Ring, Back-Up
11	See Kits	1	O-Ring
12	See Kits	1	Z-Seal, Deep - w/Rod Back-Up
13	See Kits	1	Wearband, Precision
14	See Kits	1	O-Ring
15	See Kits	1	T-Seal, Capped
16	See Kits	1	Wearband, Precision
17	8526011	A/R	Threadlocker, Loctite #271 (250cc)
18	8035546	1	KITS Seal Kit, Slave Cylinder (Includes Items 7 thru 16)

N.S.S. = Not Sold Separately

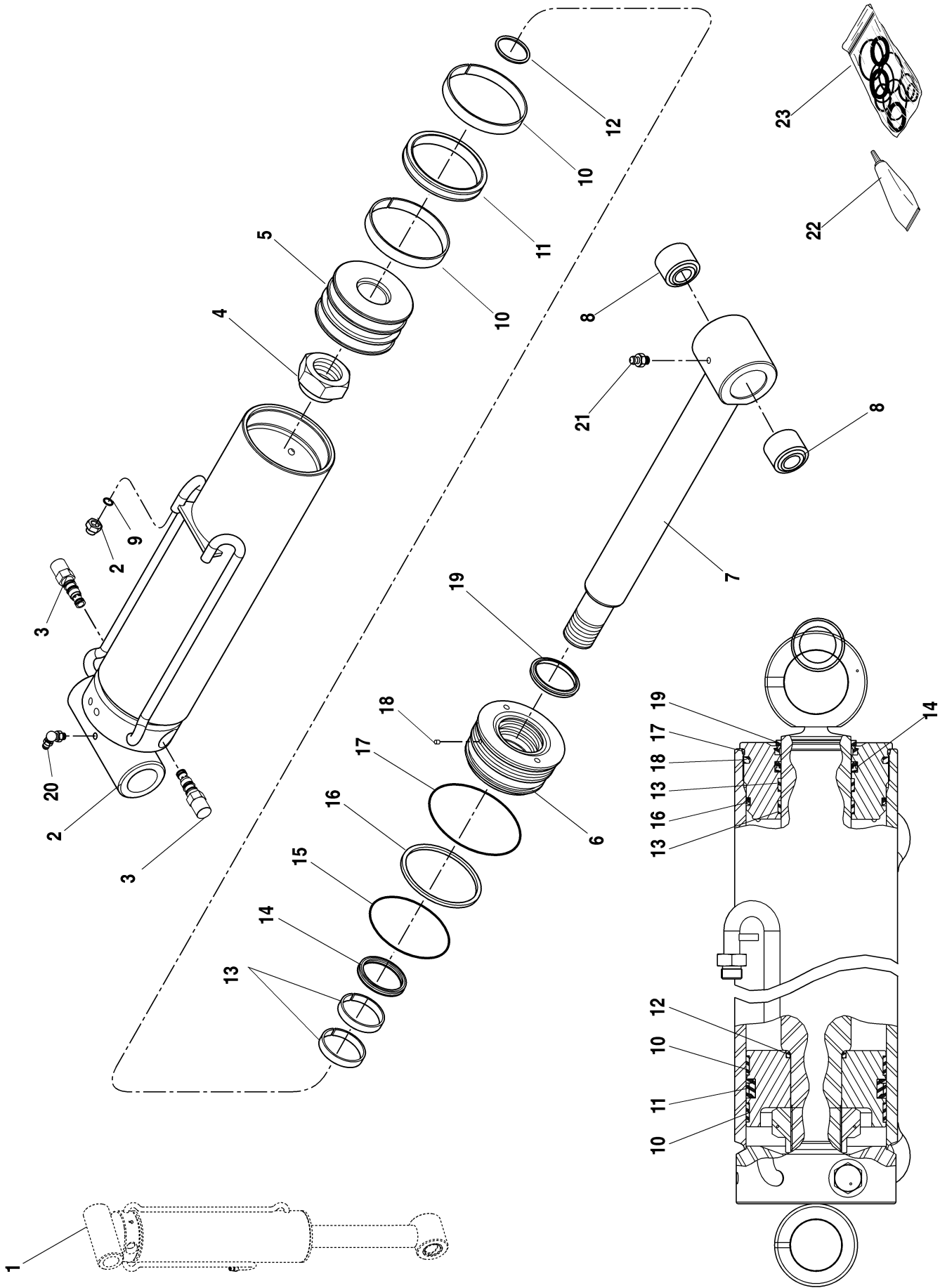
Origin
05/01

4270H
4270L
4290H
4290L

S/N 14409-

SLAVE CYLINDER

5.5.1



ITEM PART NO. QTY. DESCRIPTION

1	7138173	1	Cylinder, Attachment Tilt (Includes Items 2 thru 19)
2	N.S.S	1	Tube Weldment (Order Item 1)
3	8035321	2	Valve, CB - CCC Preset at 4000 psi (275,8 bar)
4	8035308	1	Nut, Hex Lock 2.00-12 UN
5	8035309	1	Piston
6	8035553	1	Gland, Head
7	8035552	1	Rod, Weldment
8	7089722	2	Bushing
9	See Kits	2	O-Ring
10	See Kits	2	Wearband, Precision
11	See Kits	1	T-Seal, Capped
12	See Kits	1	O-Ring
13	See Kits	2	Wearband, Precision
14	See Kits	1	Z-Seal, Deep - w/Rod Back-Up
15	See Kits	1	Ring, Back-Up
16	See Kits	1	O-Ring
17	See Kits	1	O-Ring
18	See Kits	2	Locking Insert
19	See Kits	1	Wiper, Hd. Rod - Sealed O.D.
20	8520021	1	Fitting, Lube 90°
21	8520013	1	Fitting, Lube, Straight
22	8526011	A/R	Threadlocker, Loctite #271 (250cc)
23	8035551		KITS Seal Kit (Includes Items 9 thru 19)
			N.S.S. = Not Sold Separately

Origin
05/01

4270H
4270L
4290H
4290L

S/N 14409-

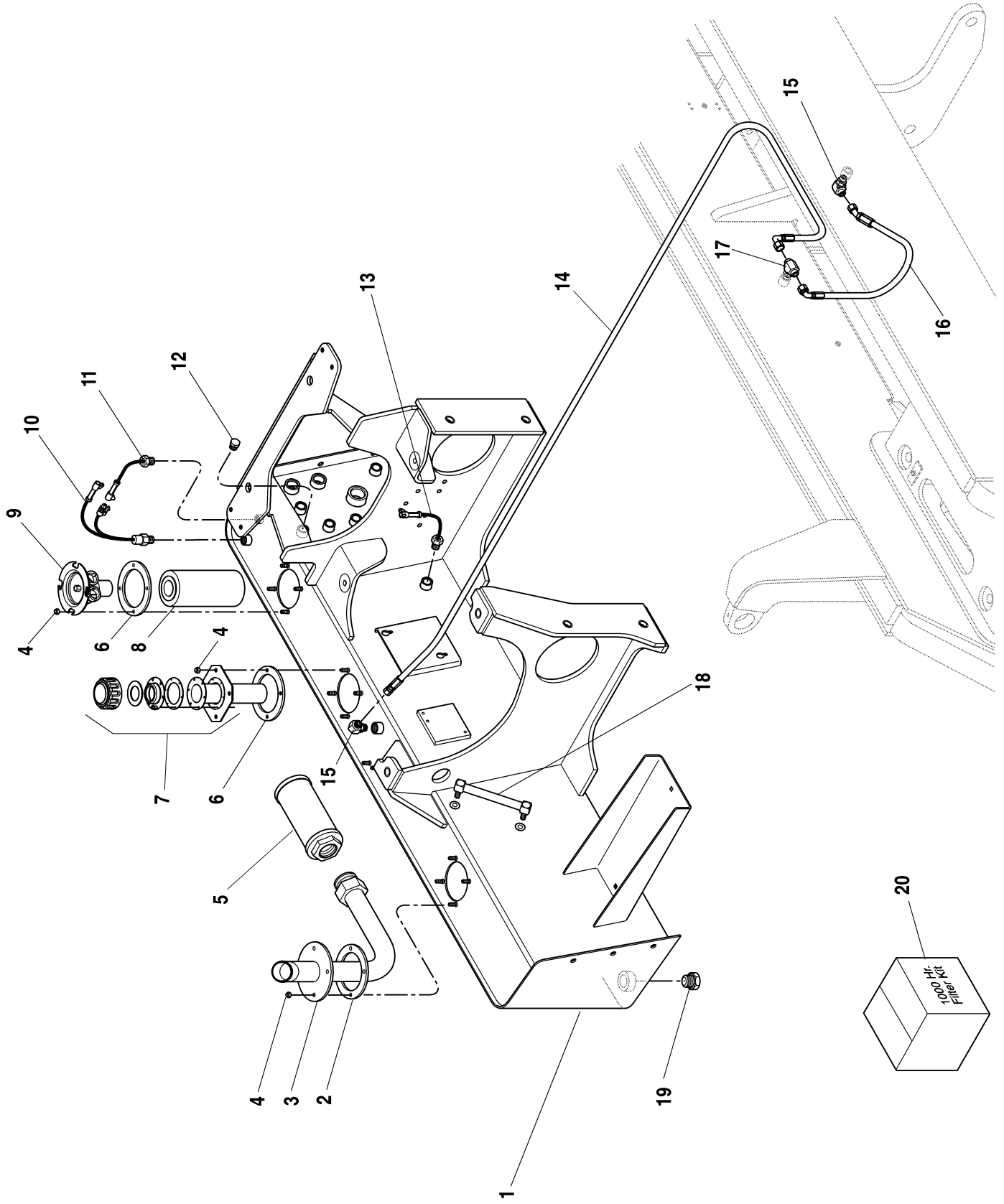
ATTACHMENT TILT CYLINDER

5.6.1

TABLE OF CONTENTS

Section 6 — Hydraulic System Components

Hydraulic Reservoir Assembly	6.1.1
Unloader Valve Hydraulic Circuit	6.2.1
Unloader Valve Assembly	6.3.1
Gear Pump Assembly 4270	6.4.1
Gear Pump Assembly 4290	6.4.2
Valves/Manifold and Brackets	6.5.1
Main Control Valve Assembly (w/o Auxiliary)	6.6.1
Main Control Valve Assembly (w/Auxiliary)	6.6.2
Section Assembly - Boom Extend/Retract	6.7.1
Section Assembly - Boom Lift/Lower	6.8.1
Section Assembly - Frame Tilt	6.9.1
Section Assembly - Attachment Tilt	6.10.1
Section Assembly Auxiliary	6.11.1
Pilot Select Manifold Assembly	6.12.1
Secondary Function Manifold	6.13.1



ITEM PART NO. QTY. DESCRIPTION

1	7137164	1	Hydraulic Reservoir/Engine Mount
2	7138209	1	Gasket
3	7138210	1	Tube Assembly
4	8305626	12	Nut, Hex Lock 0.312-18 NC
5	8324029	1	Strainer
6	7138209	2	Gasket
7	7136422	1	Fill Neck Assembly
8	8320265	1	Element, Filter (See Kits)
9	7094562	1	Head, Filter
10	8223526	1	Switch, Oil Pressure 20 psi (1,4 kPa)
11	8223227	1	Switch, Temperature 100°F (38°C)
12	8760419	1	Plug, SAE 8, 3/4-16 UNF-2A
13	8223226	1	Switch, Temperature 95°F (35°C)
14	2716647	1	Hose, 0.50 x 64.88"
15	8770114	1	Elbow, 90°
16	2716646	1	Hose, 0.50 x 23.50"
17	8770126	1	Tee, Branch
18	8464013	1	Sight Gauge
19	8770001	1	Plug, 1.875-12 THD

KITS

20	7139238	1	1000 Hour Filter Kit (Includes 6 Filters: Engine Oil Filter, Fuel Filter, Both Air Filters, Transmission Oil Filter & Hydraulic Oil Filter)
----	---------	---	---

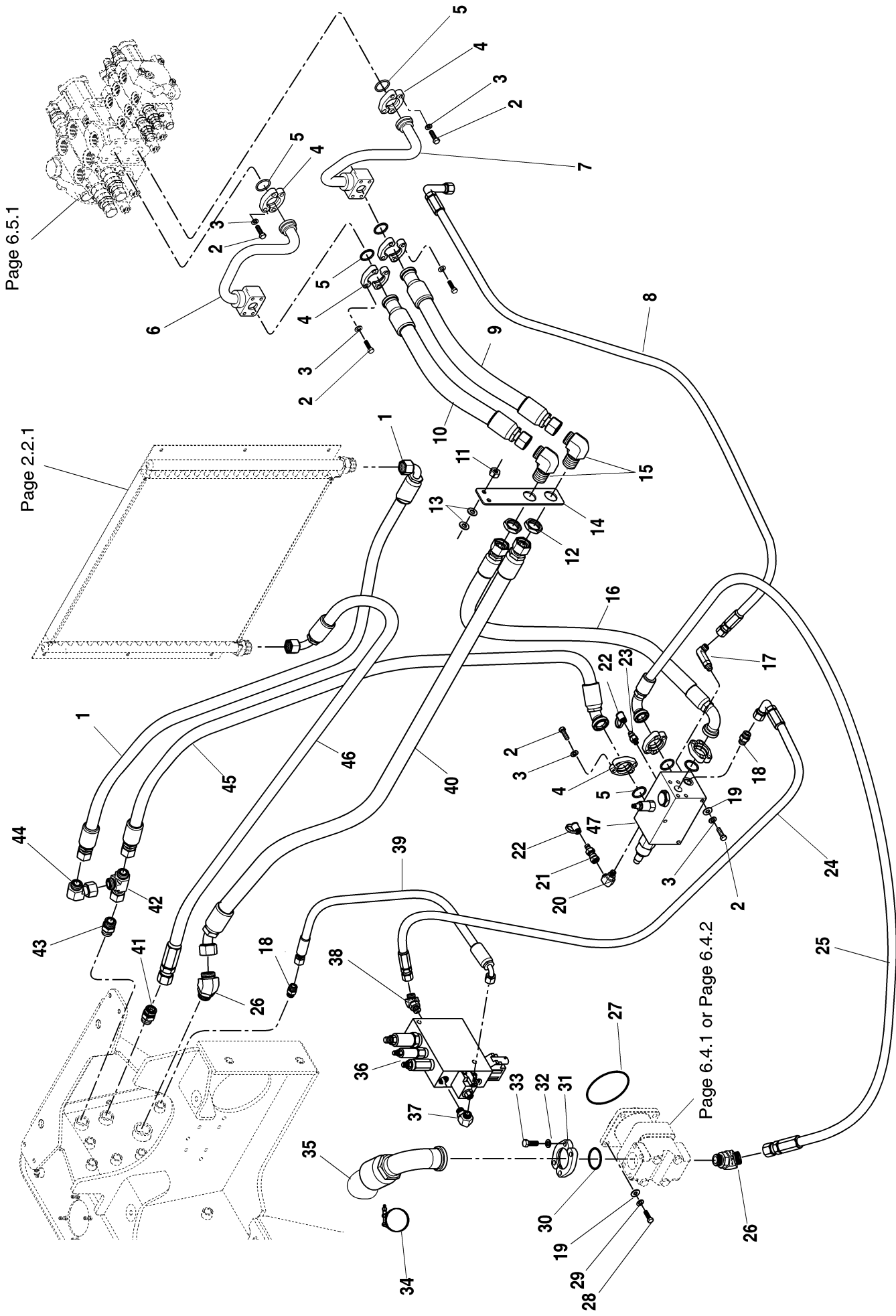
Origin
05/01

4270H
4270L
4290H
4290L

S/N 14409-

HYDRAULIC RESERVOIR ASSEMBLY

6.1.1



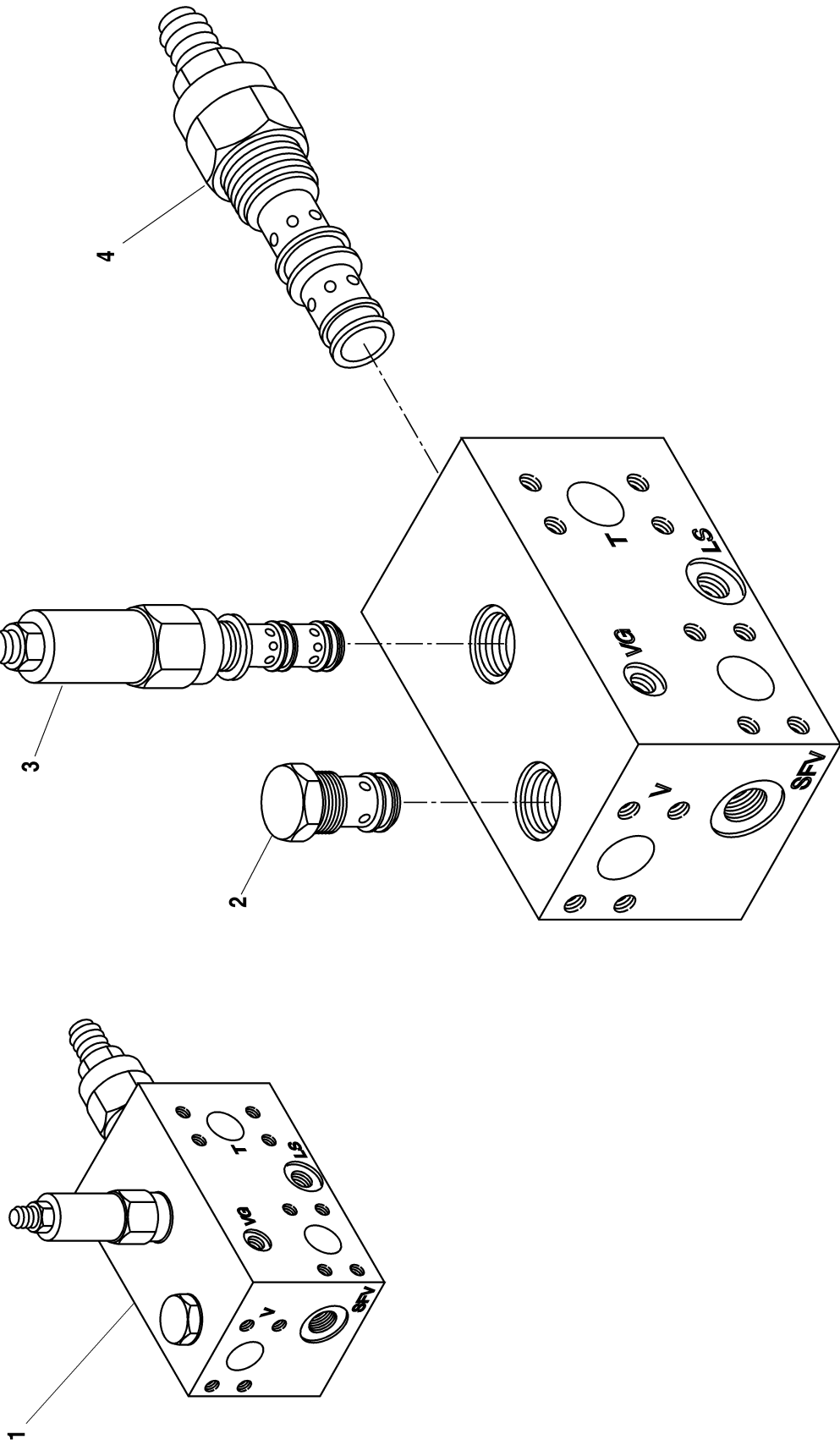
Page 6.5.1

Page 2.2.1

Page 6.4.1 or Page 6.4.2

ITEM	PART NO.	QTY.	DESCRIPTION	ITEM	PART NO.	QTY.	DESCRIPTION
1	2716524	1	Hose, 0.75 x 20.00"	37	8770114	1	Elbow, 90°, SAE 8 - str. thd. ORB x OFS
2	8303675	23	HHCS, 3/8-16 NC x 1.25"	38	8770127	1	Elbow, 45°, SAE 8 - str. thd. ORB x OFS
3	8307005	23	Washer, Lock 3/8"	39	2716567	1	Hose, 0.50 x 59.38"
4	8530030	10	Flange, Half #16	40	2716529	1	Hose, 1.00 x 23.81"
5	8640123	5	O-Ring, 1.296 I.D.	41	8770070	1	Connector, SAE 12 - str. thd. ORB x OFS
6	7138784	1	Tube	42	8770083	1	Tee, Swivel Run, SAE 12 - OFS
7	7138785	1	Tube	43	8770132	1	Connector, Male Flat Face Tube, w/Inlet Check
8	2716641	1	Hose, 0.38 x 99.50"	44	8770080	1	Elbow, 90° Swivel, SAE 12 - OFS
9	2716530	1	Hose, 1.00 x 51.75"	45	2716523	1	Hose, 0.75 x 22.75"
10	2716531	1	Hose, 1.00 x 49.38"	46	2716525	1	Hose, 0.75 x 30.50"
11	8305603	2	Nut, Hex Lock, 0.375-16 NC	47	8902200	1	Valve, Unloader (See Page 6.3.1 for Breakdown)
12	8770096	2	Nut, Bulkhead, SAE 16 - OFS				
13	8307112	4	Washer, Plain, 0.50" SAE				
14	7138284	1	Bracket, High Pressure Lines				
15	8770095	2	Elbow, 90°, Bulkhead, SAE 16 - OFS				
16	2716631	1	Hose, 0.75 x 18.25"				
17	8770068	1	Elbow, 90°, SAE 6 - str. thd. ORB x OFS				
18	8770116	2	Connector, SAE 8 - str. thd. ORB x OFS				
19	8307220	7	Washer, Plain, M12				
20	8770102	1	Elbow, 90°, SAE 6-4 - str. thd. ORB x OFS				
21	8430081	1	Nipple, Diagnostic				
22	8430032	2	Plug, Dust				
23	8430033	1	Nipple, Diagnostic - 1/8 Body				
24	2716566	1	Hose, 0.50 x 33.00"				
25	2716633	1	Hose, 0.75 x 91.00"				
26	8770166	2	Elbow, 45°, SAE 16 - str. thd. ORB x OFS				
27	8630016	1	O-Ring, 130 x 3mm				
28	8310164	4	HHCS, M12-1,75 x 40mm				
29	8307025	4	Washer, Lock M12				
30	8640208	1	O-Ring, 2.234 I.D.				
31	8546407	2	Flange, Half #32				
32	8307007	4	Washer, Lock 0.50"				
33	8303626	4	HHCS, 0.50-13 NC x 1.50"				
34	8405209	1	Clamp, T-bolt				
35	2716520	1	Hose, 2.00 x 21.00"				
36	8902196	1	Manifold, Secondary Function (See Page 6.9.1 for Breakdown)				

S/N 14409-



ITEM PART NO. QTY. DESCRIPTION

1	8902200	1	Valve, Unloader (Includes Items 2 thru 4)
2	8035774	1	Valve, Check - Preset at 125 psi (8,6 bar)
3	8035776	1	Valve, Relief
4	8035775	1	Valve, Differential Pressure Sense

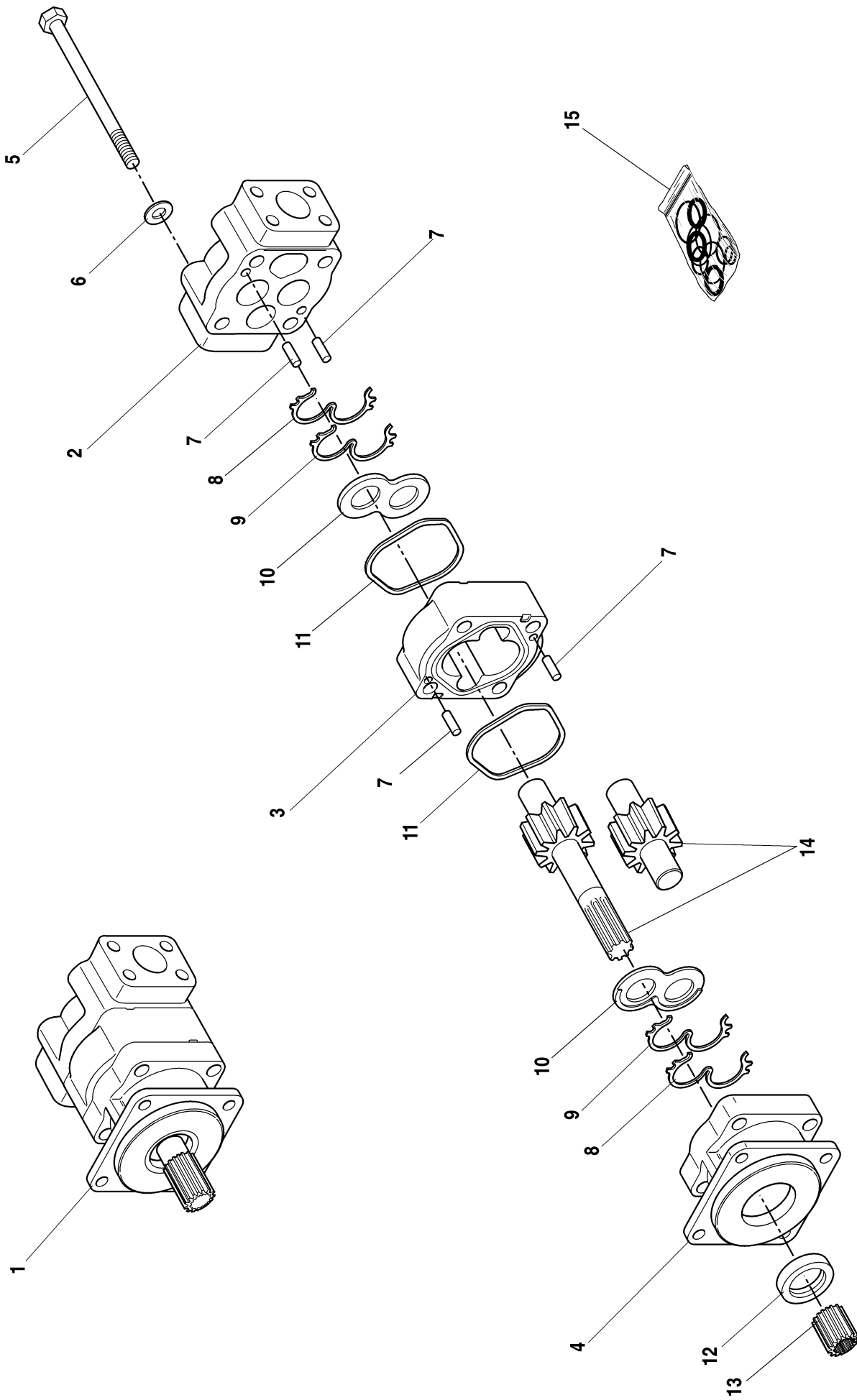
Origin
05/01

S/N 14409-

4270H
4270L
4290H
4290L

UNLOADER VALVE ASSEMBLY

6.3.1



ITEM PART NO. QTY. DESCRIPTION

1	8440156	1	Pump, Gear (Includes Items 2 thru 14)
2	8035746	1	Housing, PEC
3	8035263	1	Housing, Gear
4	8035747	1	Housing, SEC
5	8035745	4	HHCS
6	8035261	4	Washer
7	8035259	4	Dowel
8	See Kits	2	Seal, Back-Up
9	See Kits	2	Seal, Channel
10	See Kits	2	Plate, Thrust
11	See Kits	2	Seal, Square R
12	See Kits	1	Seal, Lip
13	8035744	1	Adapter, Spline
14	8035262	1	Set, Gear Shaft

KITS

15	8035093		Seal Kit
----	---------	--	----------

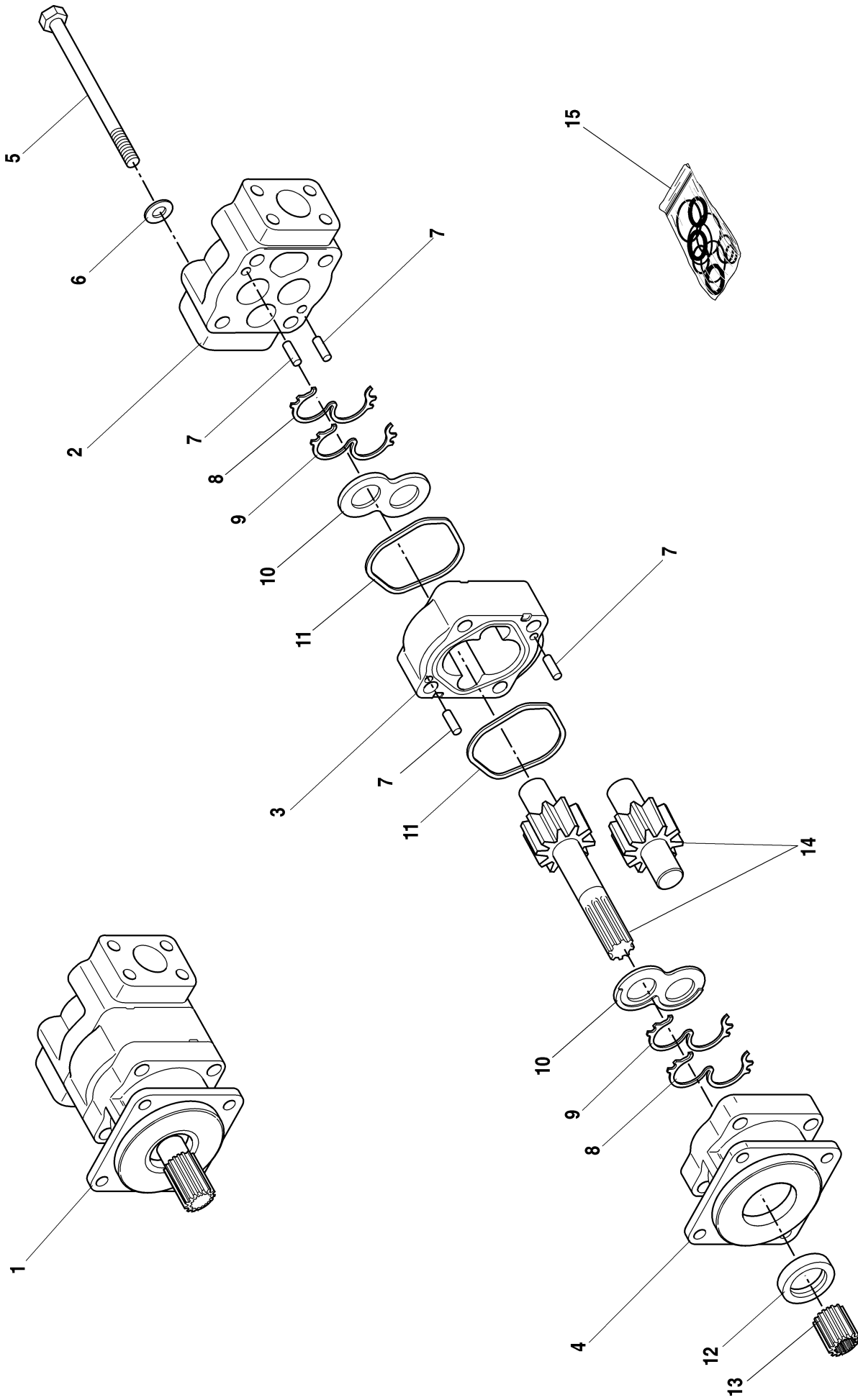
Origin
05/01

4270H
4270L
4290H
4290L ▼

S/N 14409-

GEAR PUMP ASSEMBLY 4270

6.4.1



ITEM PART NO. QTY. DESCRIPTION

1	8440162	1	Pump, Gear (Includes Items 2 thru 14)
2	8035746	1	Housing, PEC
3	8035263	1	Housing, Gear
4	8035747	1	Housing, SEC
5	8035745	4	HHCS
6	8035261	4	Washer
7	8035259	4	Dowel
8	See Kits	2	Seal, Back-Up
9	See Kits	2	Seal, Channel
10	See Kits	2	Plate, Thrust
11	See Kits	2	Seal, Square R
12	See Kits	1	Seal, Lip
13	8035744	1	Adapter, Spline
14	8036271	1	Set, Gear Shaft

KITS

15	8036271		Seal Kit
----	---------	--	----------

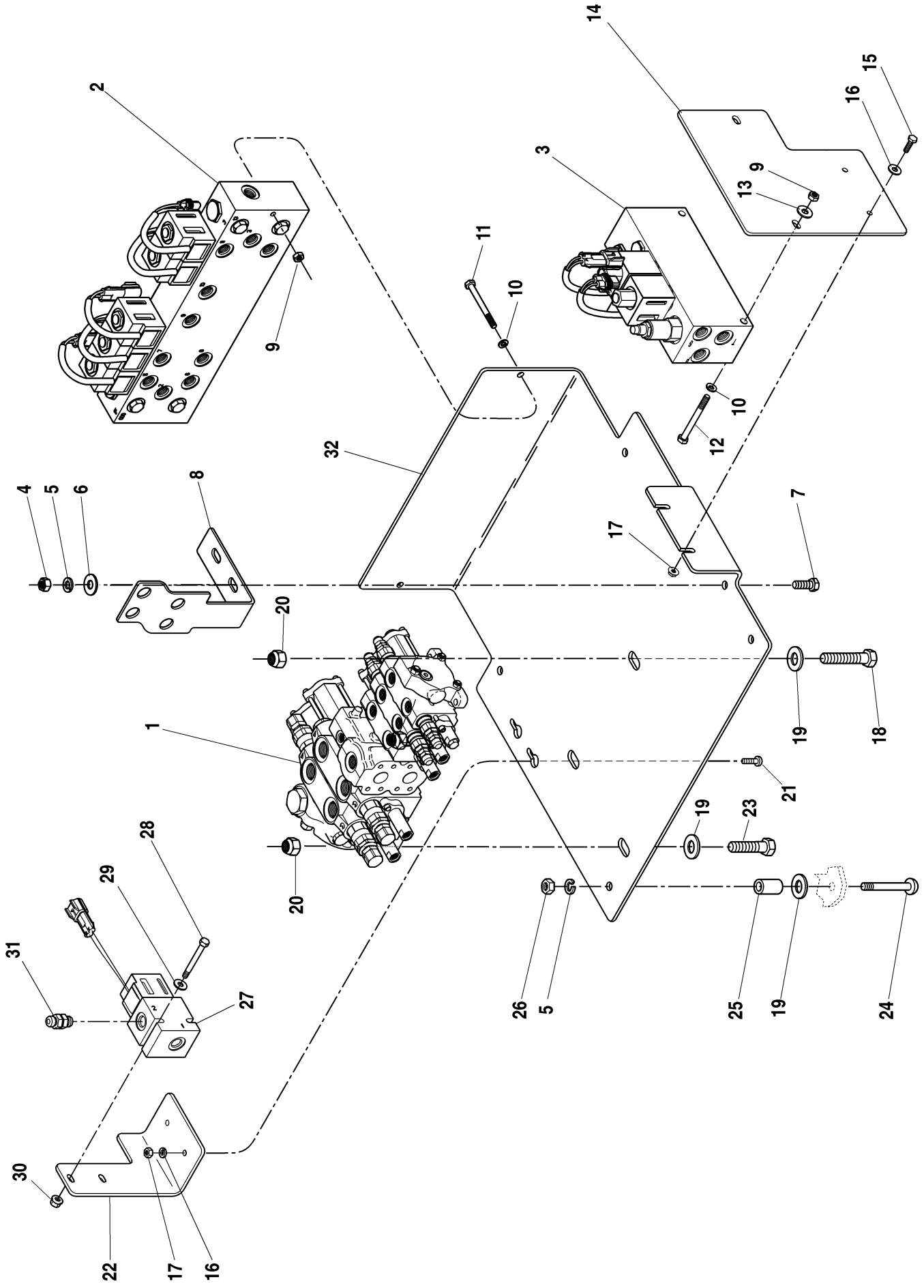
Origin
05/01

4270H
4270L
4290H
4290L

S/N 14409-

GEAR PUMP ASSEMBLY 4290

6.4.2



ITEM PART NO. QTY. DESCRIPTION

1	8902183	1	Valve, Main Control (w/Auxiliary Hydraulics) (See Pages 6.6.1-6.11.1 for Breakdown)
	8902201	1	Valve, Main Control (w/o Auxiliary Hydraulics) (See Pages 6.6.1-6.11.1 for Breakdown)
2	8902182	1	Manifold, Pilot Select (See Page 6.12.1 for Breakdown)
3	8902180	1	Valve, Auxiliary Detent (See Page 9.3.1 for Tube Connections and Page 9.4.1 for Breakdown)
4	8305008	2	Nut, Hex, 3/8"-16 NC
5	8307005	6	Washer, Lock 3/8"
6	8307204	2	Washer, Plain 3/8"
7	8303620	2	HHCS, 3/8-16 x 1.00"
8	7137022	1	Bracket, Bulkhead, Pilot Valve
9	8305006	4	Nut, Hex 5/16"-18
10	8307004	4	Washer, Lock 5/16"
11	8303766	2	HHCS, 5/16"-18 x 2-3/4"
12	8310380	2	HHCS, 5/16"-18 NC x 3-1/4"
13	8307203	2	Washer, Plain 5/16"
14	7138790	1	Bracket, Aux. Detent Selector Valve
15	8310484	2	Bolt, Carriage 1/4-20 x 1.00"
16	8307002	4	Washer, Lock 1/4"
17	8305004	4	Nut, Hex 1/4"-20
18	8303693	1	HHCS, 1/2"-13 NC x 2-1/2"
19	8307206	7	Washer, Plain 1/2"
20	8305644	3	Nut, Hex Lock Elastic, 1/2"-13
21	8310484	2	Bolt, Carriage, 1/4-20 x 1"
22	7136892	1	Bracket, Dump Valve
23	8303627	2	HHCS, 1/2"-13 NC x 1-3/4"
24	8310281	4	Bolt, Carriage 3/8-16 x 2.25"
25	7116691	4	Spacer
26	8305603	4	Nut, Hex Lock 3/8"-16
27	8902191	1	Valve, Solenoid Dump
28	8303703	2	HHCS, 1/4"-20 x 2-1/2"
29	8307202	2	Washer, Plain 1/4"
30	8310382	2	Nut, Flange, 1/4"-20
31	8770106	1	Connector, SAE 6 - str. thd. ORB x OFS
32	7135773	1	Bracket, Main Valve

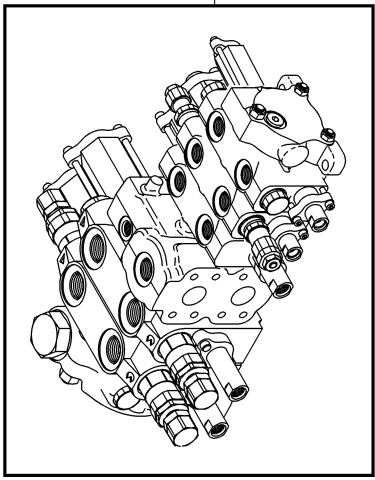
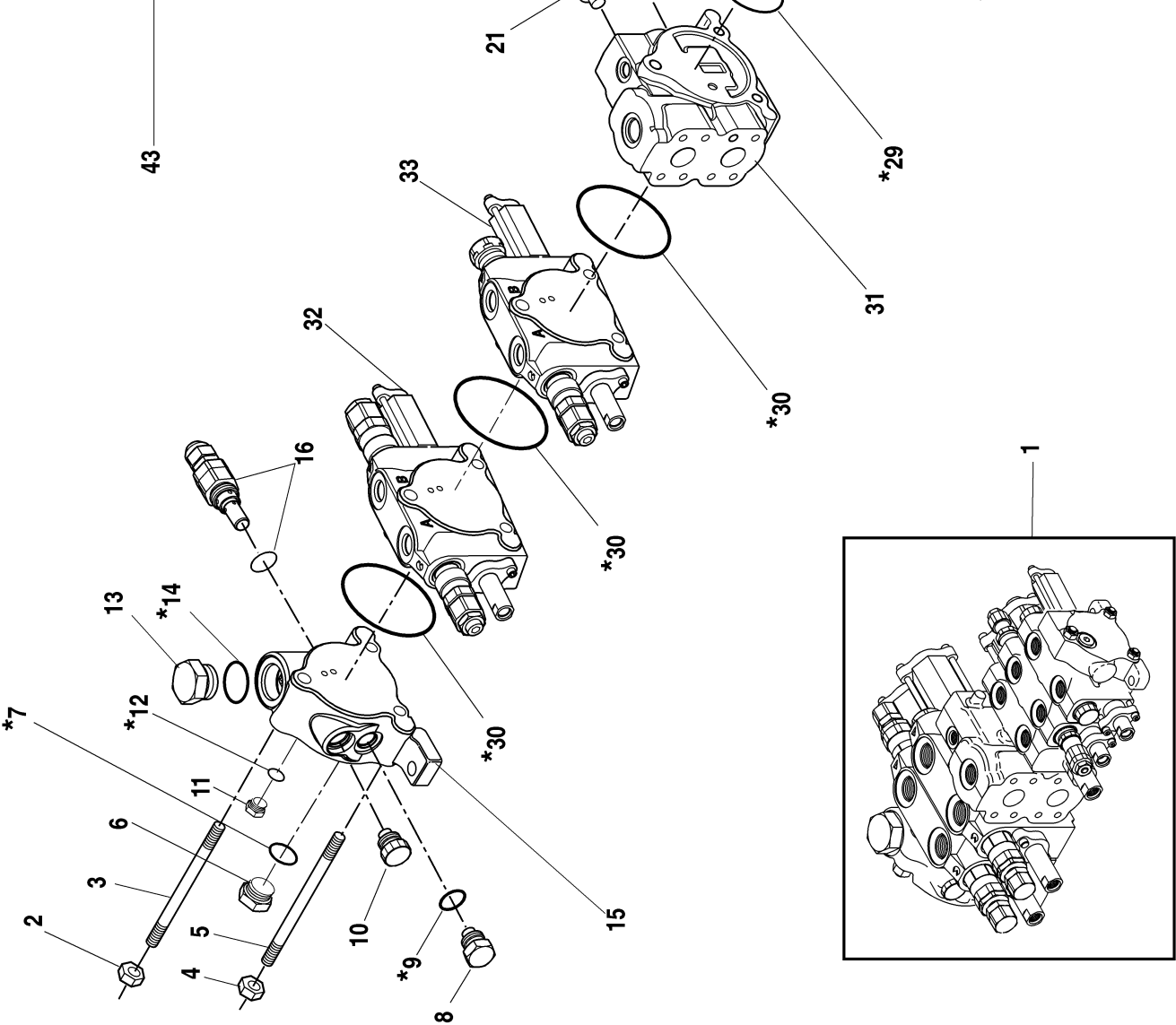
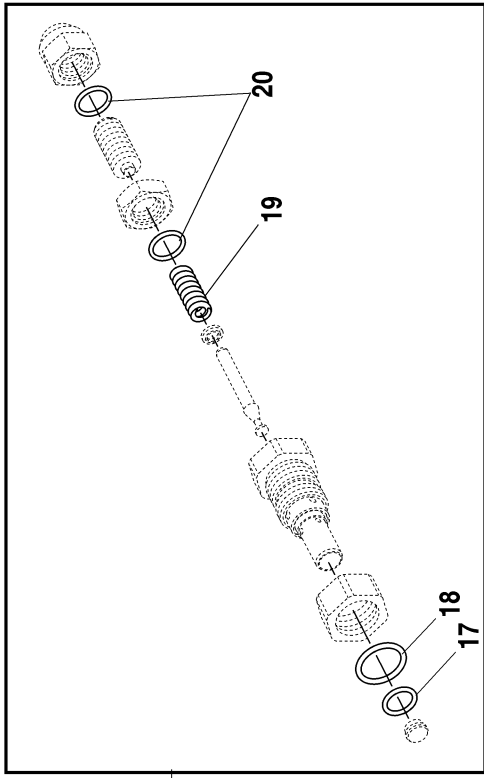
Origin
05/01

4270H
4270L
4290H
4290L

S/N 14409-

VALVES, MANIFOLD AND BRACKETS

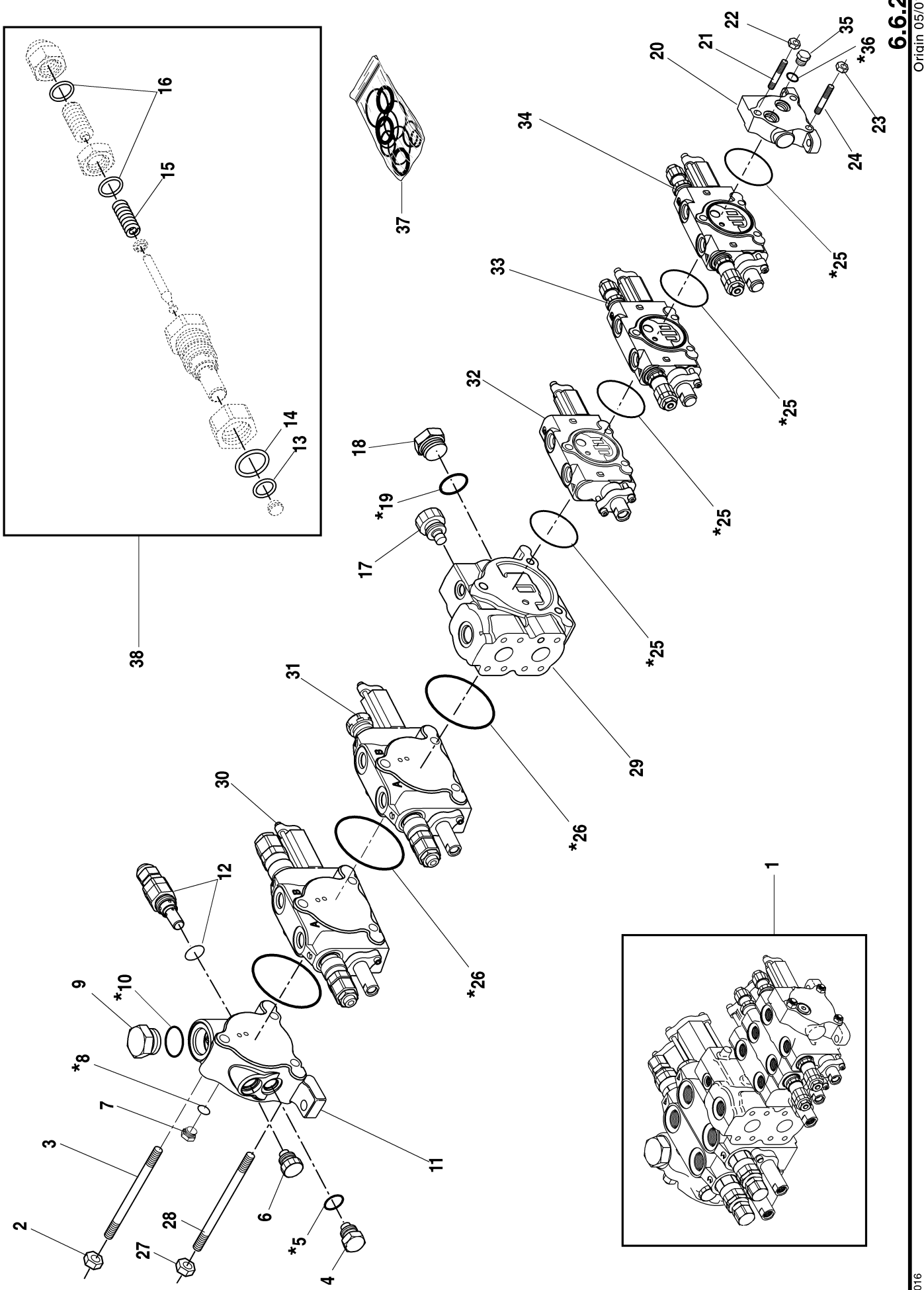
6.5.1



ITEM	PART NO.	QTY.	DESCRIPTION	ITEM	PART NO.	QTY.	DESCRIPTION
1	8902201	1	Valve, Main Control (w/o Auxiliary Hydraulics) (Includes Items 2 thru 41)	31	8035849	1	Mid-Inlet Section Assembly (includes 1 each of Item 29 & 30)
2	8035347	1	Nut	32	Page 6.7.1	1	Section Assembly Boom Extend/Retract
3	8036282	1	Tie Rod	33	Page 6.8.1	1	Section Assembly Boom Lift/Lower
4	8035381	2	Nut	34	Page 6.9.1	1	Frame Tilt Section Assembly
5	8036281	2	Tie Rod	35	Page 6.10.1	1	Attachment Tilt Section Assembly
6	8035836	1	Plug	36	Page 6.11.1	1	Auxiliary Section Assembly
7*	See Kits	1	O-Ring	37	8760419	2	Plug, Shut Off (w/o Auxiliary Hydraulics)
8	8035834	1	Plug	38	8760419	2	Plug
9*	See Kits	1	O-Ring	39*	See Kits	2	O-Ring
10	8035841	1	Shut-Off Plug Assembly	40	8035843	2	Plug
11	8035843	1	Plug	41*	See Kits	2	O-Ring
12*	See Kits	1	O-Ring				KITS
13	8035835	1	Plug	42	8036285	1	Seal Kit Entire Valve (Includes Items with * on Page 6.6.1 and 6.7.1 thru 6.11.1)
14*	See Kits	1	O-Ring				
15	8036263	1	Outlet Section Assembly	43	8036183	1	Seal and Spring Kit, Relief Valve (For Item 16) (Includes Items 17, 18, 19 & 20)
16	8035844	1	Main Relief Valve Assembly				
			Preset at 3800 ±50psi (Includes O-Ring) (For Seal Kit use Item 43)				
17	See Kits	1	O-Ring				
18	See Kits	1	O-Ring				
19	See Kits	1	Spring				
20	See Kits	2	O-Ring				
21	8035841	1	Shut-Off Plug Assembly				
22	8035834	1	Plug				
23*	See Kits	1	O-Ring				
24	8035345	1	Outlet Section Assembly				
25	8036283	1	Tie Rod				
26	8035346	1	Nut				
27	8035348	2	Nut				
28	8036284	2	Tie Rod				
29*	8036260	4	O-Ring				
30*	8036284	3	O-Ring				

S/N 14409-

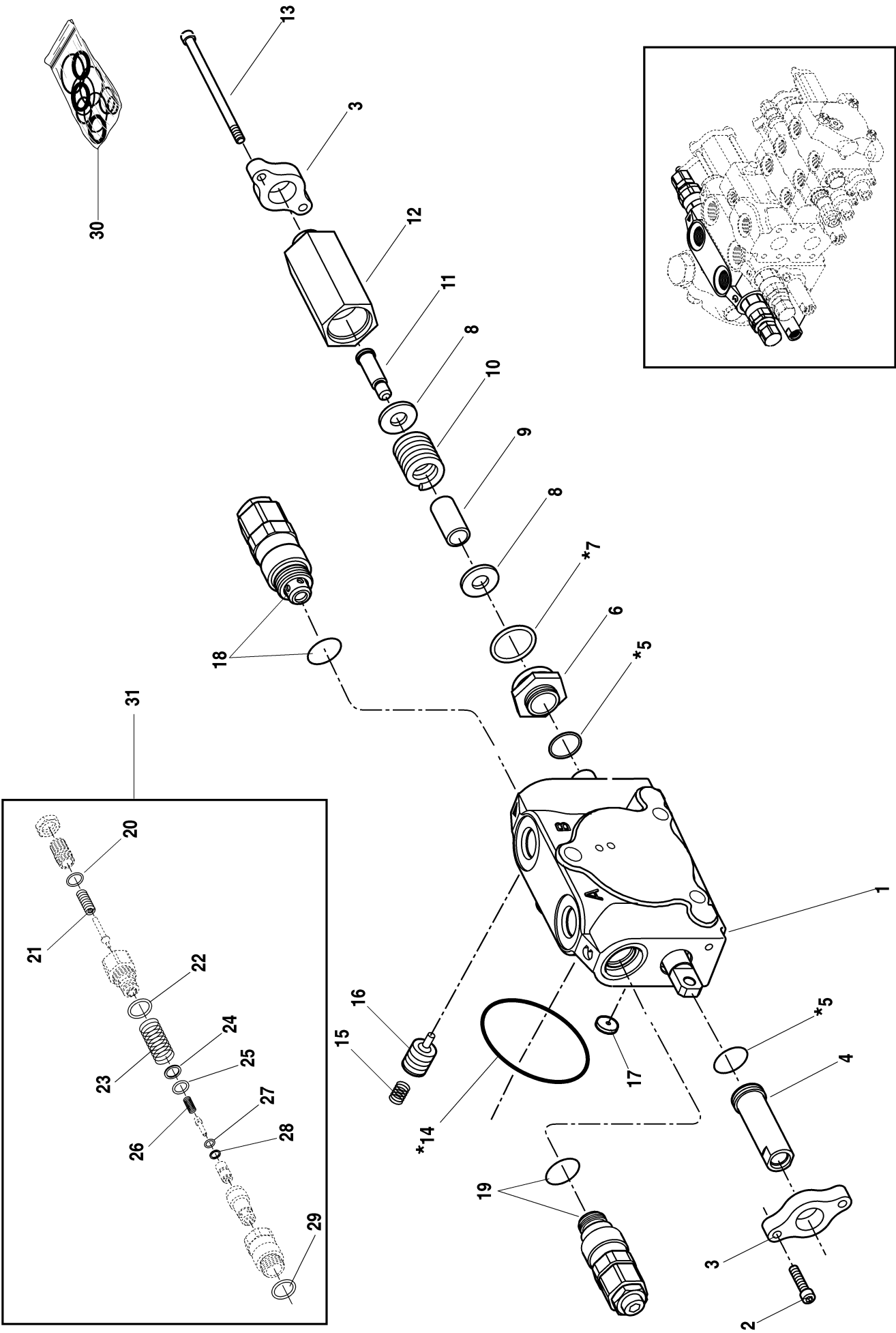
MAIN CONTROL VALVE ASSEMBLY (W/O AUXILIARY) 6.6.1



ITEM	PART NO.	QTY.	DESCRIPTION	ITEM	PART NO.	QTY.	DESCRIPTION
1	8902183	1	Valve, Main Control (w/Auxiliary Hydraulics) (Includes Items 2 thru 36)	30	Page 6.7.1	1	Section Assembly Boom Extend/Retract
2	8035347	1	Nut	31	Page 6.8.1	1	Section Assembly Boom Lift/Lower
3	8036282	1	Tie Rod	32	Page 6.9.1	1	Frame Tilt Section Assembly
4	8035834	1	Plug (w/o Auxiliary Hydraulics)	33	Page 6.10.1	1	Attachment Tilt Section Assembly
5*	See Kits	1	O-Ring (w/o Auxiliary Hydraulics)	34	Page 6.11.1	1	Auxiliary Section Assembly
6	8035841	1	Shut-Off Plug Assembly	35	8035843	2	Plug
7	8035843	1	Plug	36*	See Kits	2	O-Ring
8*	See Kits	1	O-Ring				KITS
9	8035835	1	Plug	37	8036285	1	Seal Kit Entire Valve (Includes Items with * on Page 6.6.2 and 6.7.1 thru 6.11.1)
10*	See Kits	1	O-Ring	38	8036183	1	Seal and Spring Kit, Relief Valve (For Item 12) (Includes Items 13, 14, 15 & 16)
11	8036263	1	Outlet Section Assembly				
12	8035844	1	Main Relief Valve Assembly Preset at 3800 ± 50 psi (Includes O-Ring) (For Seal Kit use Item 38)				
13	See Kits	1	O-Ring				
14	See Kits	1	O-Ring				
15	See Kits	1	Spring				
16	See Kits	2	O-Ring				
17	8035841	1	Shut-Off Plug Assembly				
18	8035834	1	Plug				
19*	See Kits	1	O-Ring				
20	8035345	1	Outlet Section Assembly				
21	8036283	1	Tie Rod				
22	8035346	1	Nut				
23	8035348	2	Nut				
24	8036284	2	Tie Rod				
25*	8036260	4	O-Ring				
26*	8034697	3	O-Ring				
27	8035381	2	Nut				
28	8036281	2	Tie Rod				
29	8035849	1	Mid-Inlet Section Assembly (Includes 1 each of Items 25 & 26)				

S/N 14409-

MAIN CONTROL VALVE ASSEMBLY (W/AUXILIARY) 6.6.2



ITEM PART NO. QTY. DESCRIPTION

1	8035850	1	Section Assembly Boom Extend/Retract (Includes Items 2 thru 16)
2	8035350	2	SHCS
3	8035368	2	Retainer
4	8035369	1	Cap, Spool
5*	See Kits	2	O-Ring
6	8035378	1	Retainer, Spool Cap
7*	See Kits	1	O-Ring
8	8035361	2	Washer, Flat
9	8035360	1	Spacer
10	8035355	1	Spring
11	8035362	1	Screw, Shoulder Socket Hd.
12	8035370	1	Cap, Spool
13	8035377	2	SHCS
14*	8034697	1	O-Ring
15	8035358	1	Spring
16	8035367	1	Poppet
17	8035845	1	Shuttle
18	8036007	1	Relief Valve Assembly - Preset at 3750 ± 50 psi (258 ± 3,4 bar) (Includes O-Ring) (For Seal Kit Use Item 31)
19	8035839	1	Relief Valve Assembly - Preset at 3000 ± 50 psi (207 ± 3,4 bar) (Includes O-Ring) (For Seal Kit Use Item 31)
20	See Kits	1	O-Ring
21	See Kits	1	Spring
22	See Kits	1	O-Ring
23	See Kits	1	Spring
24	See Kits	1	Ring, Back-Up
25	See Kits	1	O-Ring
26	See Kits	1	Spring
27	See Kits	1	Ring, Back-Up
28	See Kits	1	O-Ring
29	See Kits	1	O-Ring

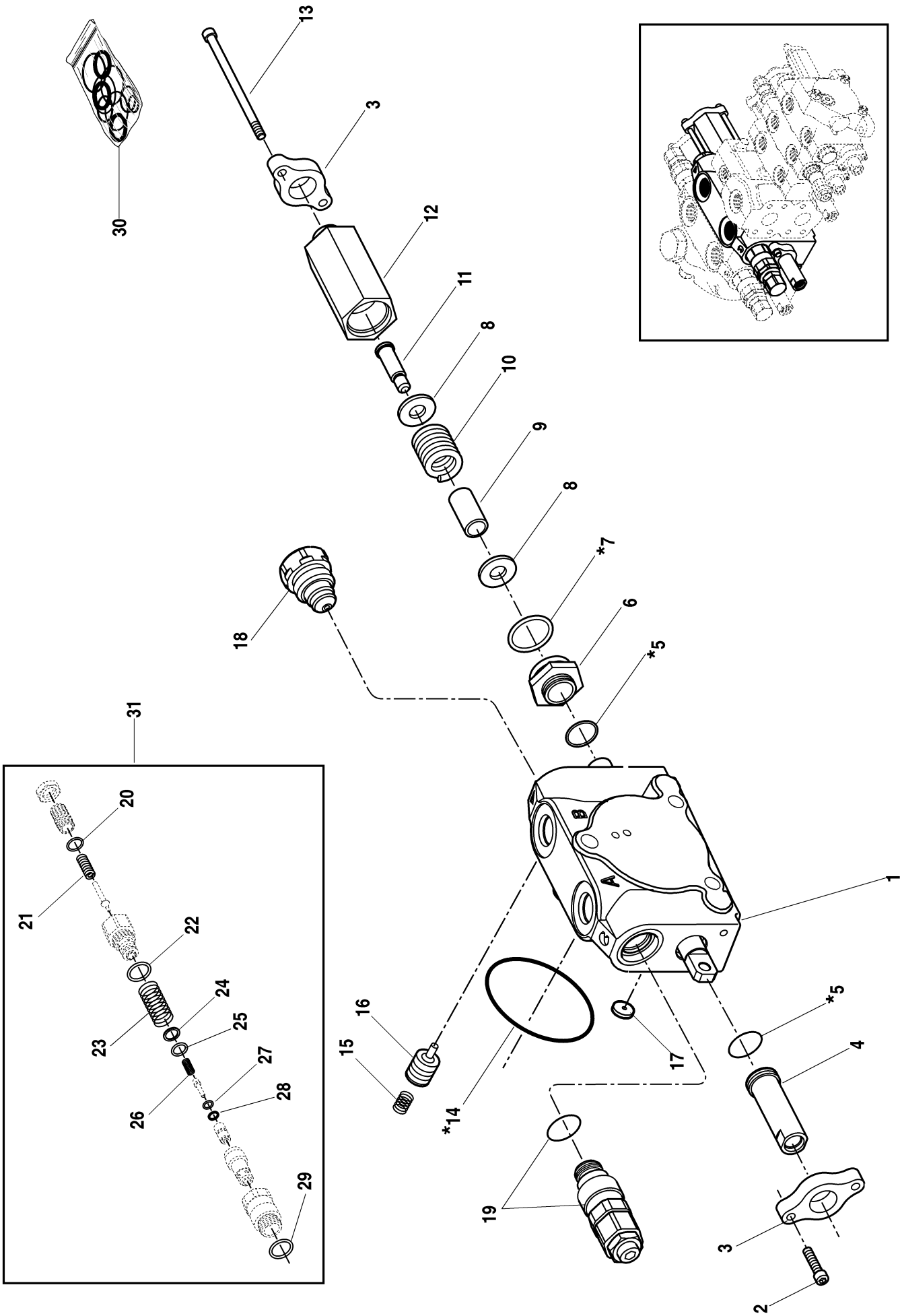
30	8036285	1	KITS Seal Kit, Entire Valve (Includes Items with * on pages 6.6.1 or 6.6.2 thru 6.11.1)
31	8035856	1	Seal and Spring Kit (Includes Items 20 thru 29)

Origin
05/01

4270H
4270L
4290H
4290L

S/N 14409-

SECTION ASSEMBLY - BOOM EXTEND/RETRACT 6.7.1



ITEM PART NO. QTY. DESCRIPTION ITEM PART NO. QTY. DESCRIPTION

1	8035850	1	Section Assembly Boom Lift/Lower (Includes Items 2 thru 16)		
2	8035350	2	SHCS		
3	8035368	2	Retainer		
4	8035369	1	Cap, Spool		
5*	See Kits	5	O-Ring		
6	8035378	1	Retainer, Spool Cap		
7*	See Kits	1	O-Ring		
8	8035361	2	Washer, Flat		
9	8035360	1	Spacer		
10	8035355	1	Spring		
11	8035362	1	Screw, Shoulder Socket Hd.		
12	8035370	1	Cap, Spool		
13	8035377	2	SHCS		
14*	8034697	1	O-Ring		
15	8035358	1	Spring		
16	8035367	1	Poppet		
17	8035845	3	Shuttle		
18	8035363	1	Anti-Void Assembly		
19	8036007	1	Relief Valve Assembly - Preset at 3750 ± 50 psi (258 ± 3,4 bar) (Includes O-Ring) (For Seal Kit Use Item 31)		
20	See Kits	1	O-Ring		
21	See Kits	1	Spring		
22	See Kits	1	O-Ring		
23	See Kits	1	Spring		
24	See Kits	1	Ring, Back-Up		
25	See Kits	1	O-Ring		
26	See Kits	1	Spring		
27	See Kits	1	Ring, Back-Up		
28	See Kits	1	O-Ring		
29	See Kits	1	O-Ring		

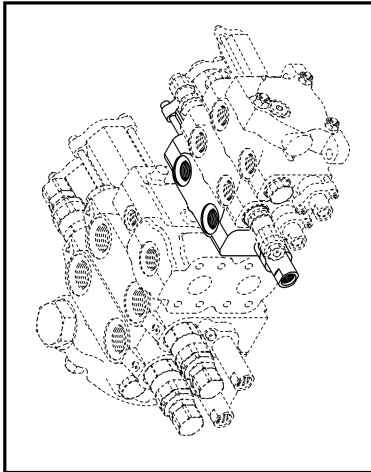
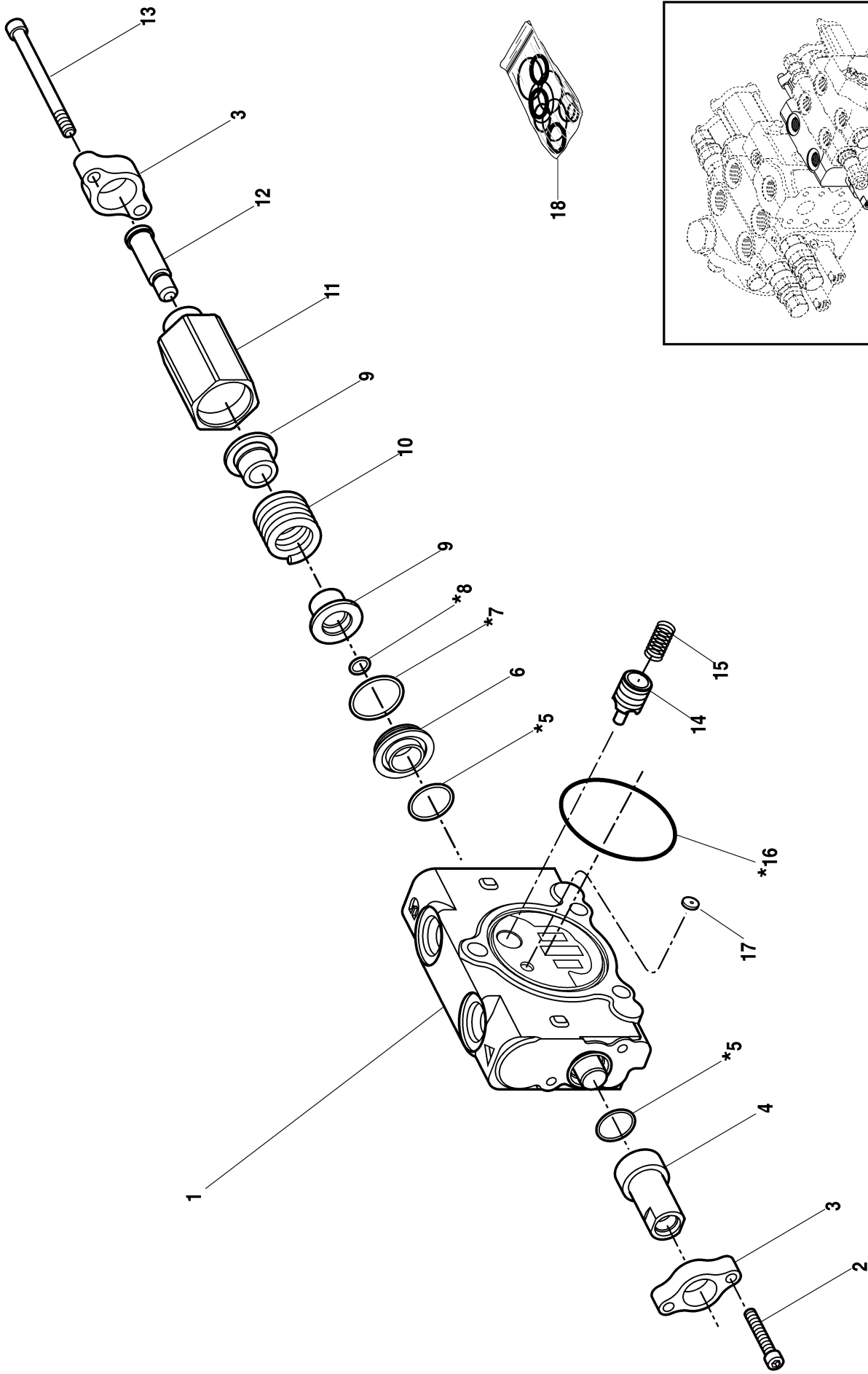
Origin
05/01

30	8036285	1	<u>KITS</u> Seal Kit, Entire Valve (Includes Items with * on pages 6.6.1 or 6.6.2 thru 6.11.1
31	8035856		Seal and Spring Kit (Includes Items 20 thru 29)

S/N 14409-

4270H
4270L
4290H
4290L

SECTION ASSEMBLY - BOOM LIFT/LOWER 6.8.1



ITEM PART NO. QTY. DESCRIPTION

1	8035846	1	Frame Tilt Section Assembly (Includes Items 2 thru 16)
2	8035357	2	SHCS
3	8035373	2	Retainer
4	8035372	1	Cap, Spool
5*	See Kits	2	O-Ring
6	8035374	2	Retainer, Spool Cap
7*	See Kits	1	O-Ring
8*	See Kits	1	O-Ring
9	8035376	2	Seat, Spring
10	8035356	1	Spring
11	8036286	1	Cap, Spool
12	8035375	1	End, Spool
13	8035359	2	SHCS
14	8035366	1	Poppet
15	8035365	1	Spring
16*	8036260	1	O-Ring
17	8035045	1	Shuttle

KITS

18	8036285	1	Seal Kit, Entire Valve (Includes Items with * on pages 6.6.1 or 6.6.2 thru 6.11.1)
----	---------	---	--

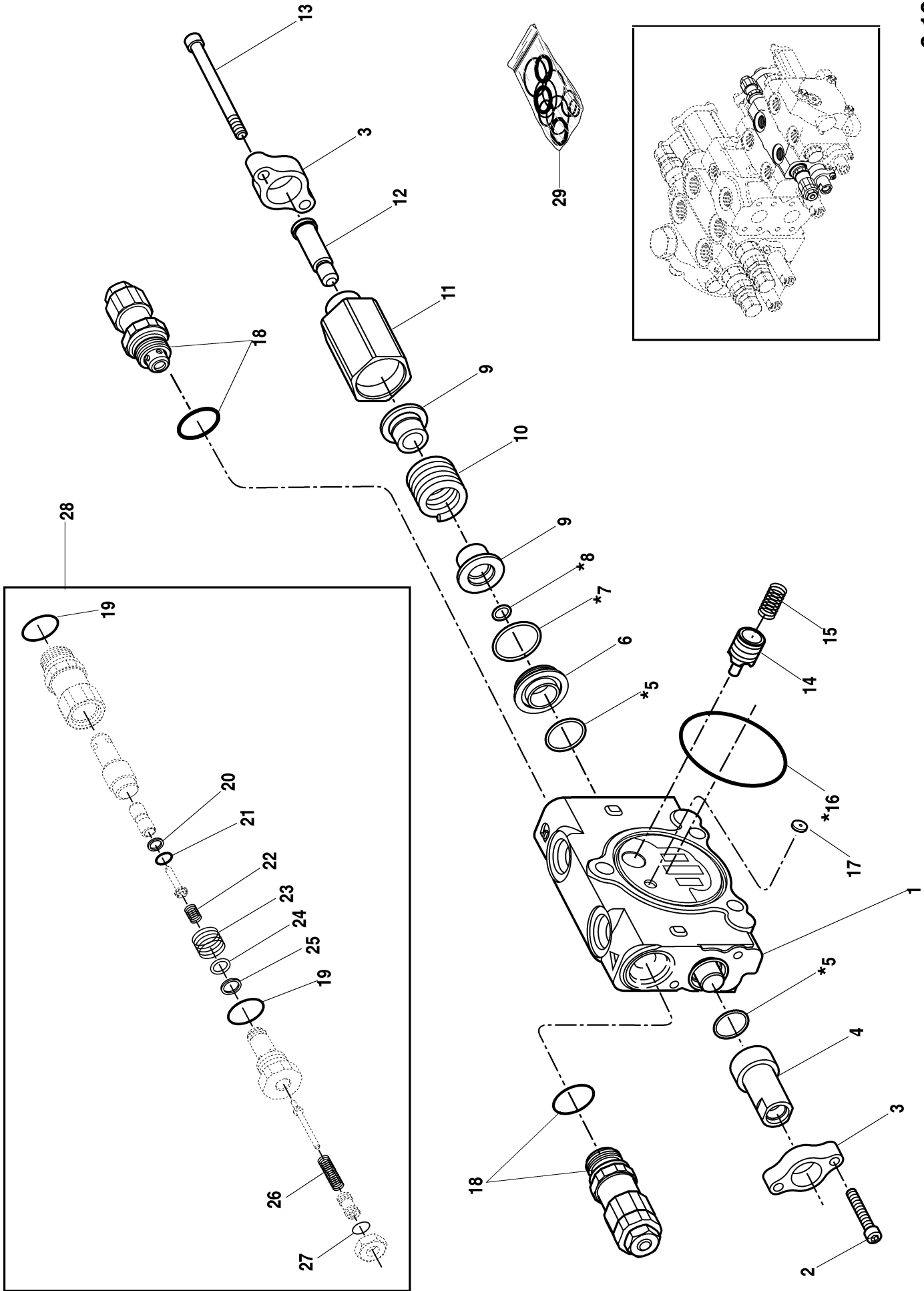
Origin
05/01

4270H
4270L
4290H
4290L

S/N 14409-

SECTION ASSEMBLY - FRAME TILT

6.9.1



ITEM PART NO. QTY. DESCRIPTION

1	8035847	1	Attachment Tilt Section Assembly (Includes Items 2 thru 16)
2	8035357	2	SHCS
3	8035373	2	Retainer
4	8035372	1	Cap, Spool
5*	See Kits	2	O-Ring
6	8035374	1	Retainer, Spool Cap
7*	See Kits	1	O-Ring
8*	See Kits	1	O-Ring
9	8035376	2	Seat, Spring
10	8035356	1	Spring
11	8036286	1	Cap, Spool
12	8035375	1	End, Spool
13	8035359	2	SHCS
14	8035366	1	Poppet
15	8035365	1	Spring
16*	8036260	1	O-Ring
17	8035845	1	Shuttle
18	8035840	2	Relief Valve Assembly - Preset at 4000 ± 50psi (For Seal Kit use Item 28)
19	See Kits	2	O-Ring
20	See Kits	1	Ring, Back-Up
21	See Kits	1	O-Ring
22	See Kits	1	Spring
23	See Kits	1	Spring
24	See Kits	1	O-Ring
25	See Kits	1	Ring, Back-Up
26	See Kits	1	Spring
27	See Kits	1	O-Ring
28	8035855	1	KITS Seal and Spring Kit, Relief Valve (Includes Items 19 thru 27)

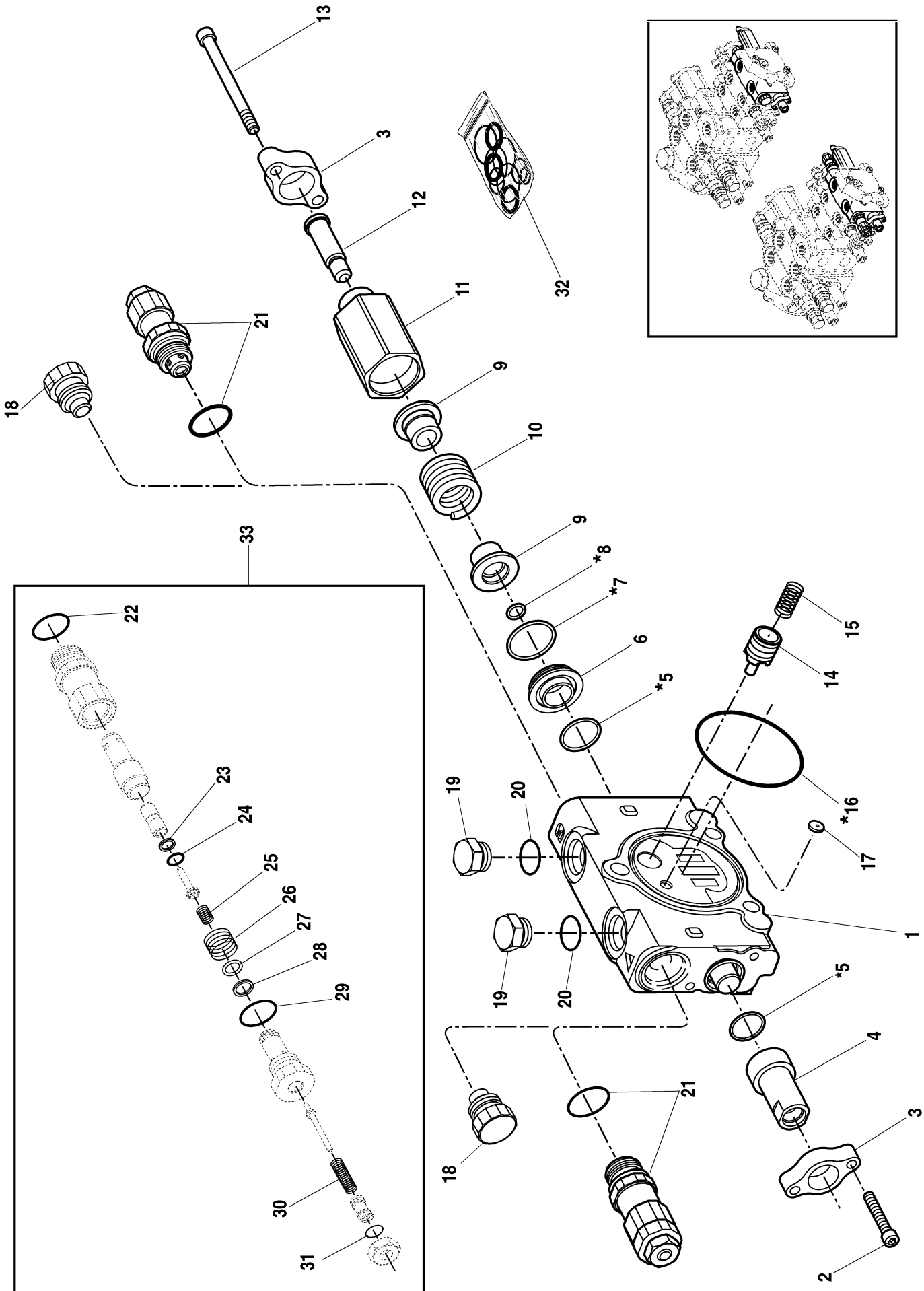
29	8036285	1	Seal Kit, Entire Valve (Includes Items with * on pages 6.6.1 or 6.6.2 thru 6.11.1
----	---------	---	---

Origin
05/01

4270H
4270L
4290H
4290L

S/N 14409-

SECTION ASSEMBLY - ATTACHMENT TILT 6.10.1



ITEM PART NO. QTY. DESCRIPTION

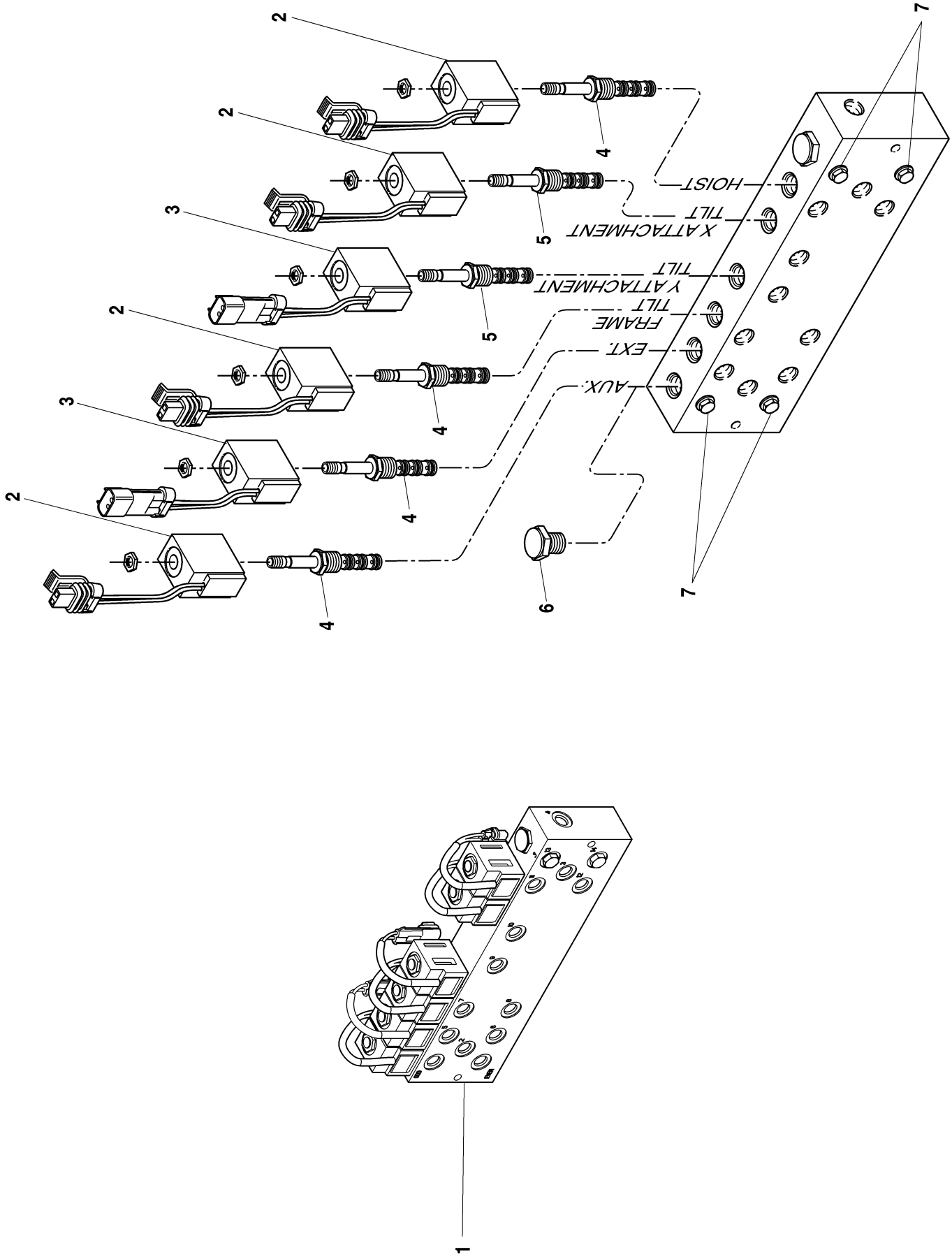
1	8035847	1	Auxiliary Section Assembly (Includes 2 thru 16)
2	8035357	2	SHCS
3	8035373	2	Retainer
4	8035372	1	Cap, Spool
5*	See Kits	2	O-Ring
6	8035374	1	Retainer, Spool Cap
7*	See Kits	1	O-Ring
8*	See Kits	1	O-Ring
9	8035376	2	Seat, Spring
10	8035356	1	Spring
11	8036286	1	Cap, Spool
12	8035375	1	End, Spool
13	8035359	2	SHCS
14	8035366	1	Poppet
15	8035365	1	Spring
16*	8036260	1	O-Ring
17	8035845	1	Shuttle
18	8035842	2	Plug, Shut Off (w/o Auxiliary Hydraulics Only)
19	8760419	2	Plug (w/o Auxiliary Hydraulics Only)
20	8640025	2	O-Ring (w/o Auxiliary Hydraulics Only)
21	8036194	2	Relief Valve - Preset at 3000 ± 50 psi (For seal kit use item 33)
22	See Kits	1	O-Ring
23	See Kits	1	Back Up-Ring
24	See Kits	1	O-Ring
25	See Kits	1	Spring
26	See Kits	1	Spring
27	See Kits	1	Back Up-Ring
28	See Kits	1	O-Ring
29	See Kits	1	O-Ring
30	See Kits	1	Spring
31	See Kits	1	O-Ring
32	8036285	1	KITS Seal Kit, Entire Valve (Includes Items with * on pages 6.6.1 or 6.6.2 thru 6.11.1)
33	8036287	1	Seal and Spring Kit, Relief Valve (for Item 21)

Origin
05/01

4270H
4270L
4290H
4290L

S/N 14409-

SECTION ASSEMBLY AUXILIARY 6.11.1



ITEM PART NO. QTY. DESCRIPTION

1	8902195	1	Manifold, Pilot Select (Includes Items 2 thru 7)
	8902182	1	Manifold, Pilot Select w/Auxiliary/Auxiliary Detent Hydraulics (Includes Items 2 thru 7)
2	8902693	3	Coil, Solenoid w/Female Connector (w/o Auxiliary Hydraulics)
		4	Coil, Solenoid w/Female Connector (w/Auxiliary Hydraulics)
3	8902694	2	Coil, Solenoid w/Male Connector
4	8902695	3	Cartridge, Solenoid Valve (w/o Auxiliary Hydraulics)
		4	Cartridge, Solenoid Valve (w/Auxiliary Hydraulics)
5	8902700	2	Cartridge, Solenoid Valve
6	8035799	2	Plug, Cavity (w/o Auxiliary Hydraulics)
		1	Plug, Cavity (w/Auxiliary Hydraulics)
7	8760451	4	Plug, Hex Hd., SAE 6 - male str. thd. o-ring (w/o Auxiliary Hydraulics)
		2	Plug, Hex Hd., SAE 6 - male str. thd. o-ring w/Auxiliary Hydraulics)

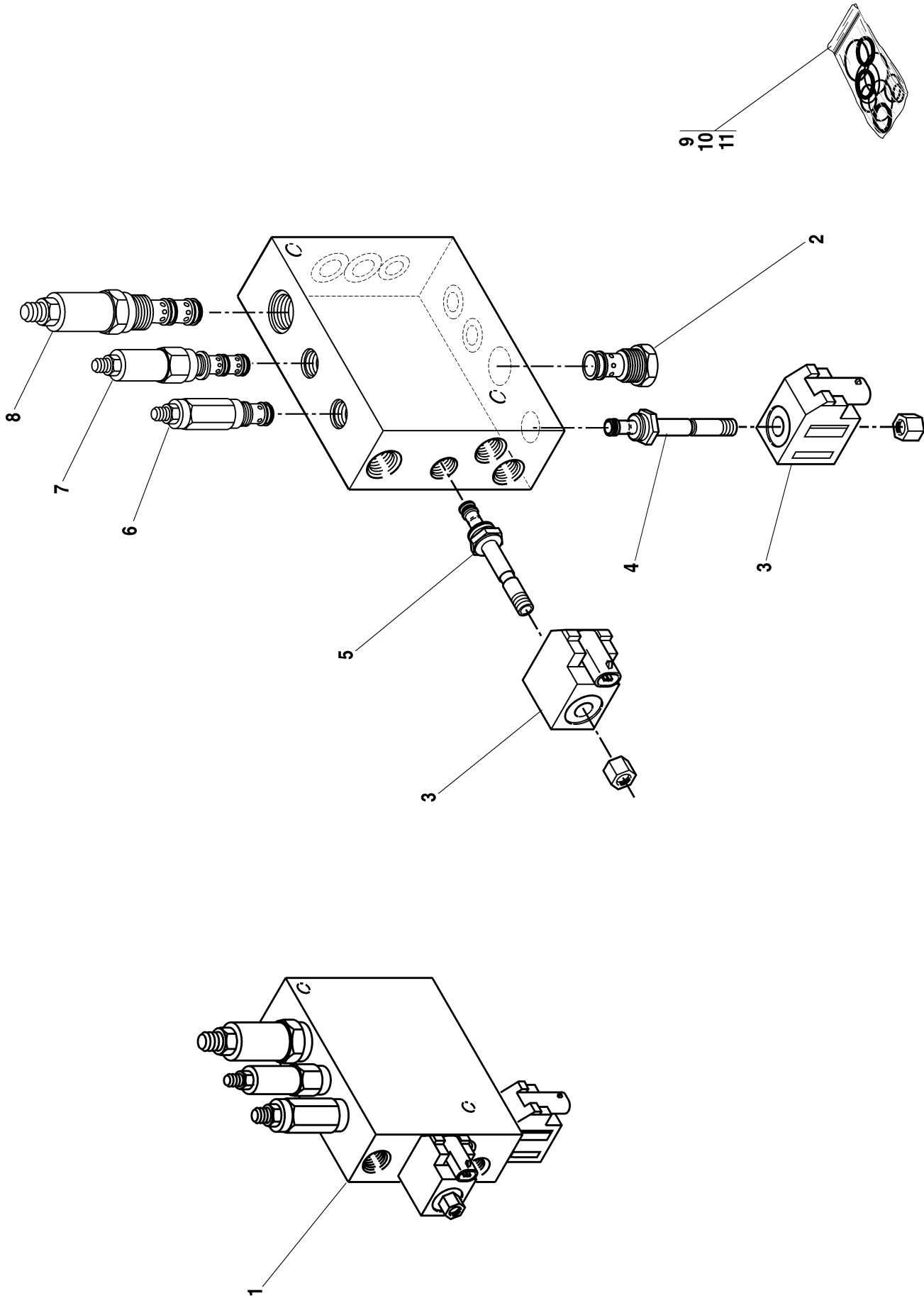
Origin
05/01

4270H
4270L
4290H
4290L

S/N 14409-

PILOT SELECT MANIFOLD ASSEMBLY

6.12.1



ITEM PART NO. QTY. DESCRIPTION

1	8902196	1	Manifold, Secondary Function (Includes Items 2 thru 8)
2	8032995	1	Valve, Check
3	8902698	2	Coil, Solenoid w/Integrated Diode
4	8902696	1	Cartridge, Solenoid Valve
5	8902697	1	Cartridge, Solenoid Valve
6	8032991	1	Valve, Pressure Reducing - Preset at 1400 psi (96 bar)
7	8032993	1	Valve, Pressure Reducing - Preset at 900 psi (62 bar)
8	8032989	1	Valve, Pressure Reducing - Preset at 2500 psi (172 bar)

KITS

9	8032990	1	Seal Kit (For Servicing Item 8)
10	8032994	1	Seal Kit (For Servicing Items 6 & 7)
11	8032992	1	Seal Kit (For Servicing Items 2, 4 & 5)

Origin
05/01

S/N 14409-

4270H
4270L
4290H
4290L

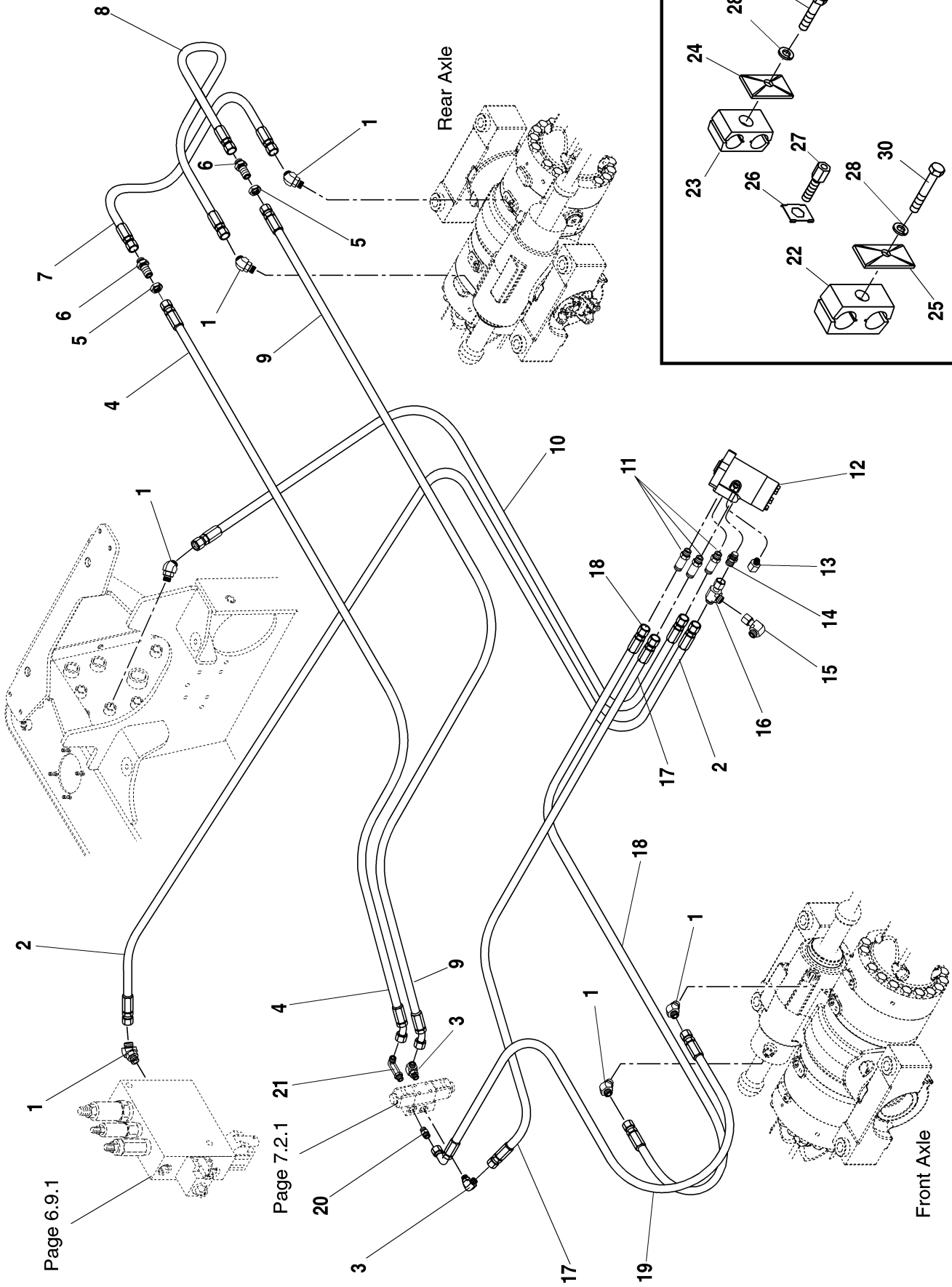
SECONDARY FUNCTION MANIFOLD

6.13.1

TABLE OF CONTENTS

Section 7 — Steering and Brake Hydraulic Circuits

3 Mode Steering Hydraulic Circuit	7.1.1
3 Mode Steering Directional Control Valve	7.2.1
4 Mode Steering Hydraulic Circuit	7.3.1
4 Mode Steering Directional Control Valve	7.4.1
Service & Parking Brake Hydraulic Circuit	7.5.1
Service Brake Pedal Mounting	7.6.1



ITEM PART NO. QTY. DESCRIPTION

1	8770127	6	Elbow, 45°, SAE 8 - str. thd. ORB x OFS
2	2716578	1	Hose, 0.50 x 108.63"
3	8770114	2	Elbow, 90°, SAE 8 - str. thd. ORB x OFS
4	2716573	1	Hose, 0.50 x 87.75"
5	8770129	2	Nut, Bulkhead, SAE 8 - OFS
6	8770130	2	Connector, Bulkhead, SAE 8 - OFS
7	2716538	1	Hose, 0.50 x 38.63"
8	2716539	1	Hose, 0.50 x 35.25"
9	2716574	1	Hose, 0.50 x 102.75"
10	2716624	1	Hose, 0.50 x 113.00"
11	8770117	3	Connector, Long, SAE 8 - str. thd. ORB x OFS
12	8721029	1	Steering Orbital
(See Page 3.14.1 for mounting hardware)			
13	8770102	1	Elbow, 90°, SAE 6-4 - str. thd. ORB x OFS
14	8770131	1	Connector, Male Flat face tube, w/Inlet Check
15	8770115	1	Elbow, 90° Swivel, SAE 8 - OFS
16	8770125	1	Tee, Swivel Run, SAE 8 - o-ring face seal
17	2716569	1	Hose, 0.50 x 88.38"
18	2716568	1	Hose, 0.50 x 131.63"
19	2716570	1	Hose, 0.50 x 139.00"
20	8770116	1	Connector, SAE 8 - str. thd. ORB x OFS
21	8770168	1	Elbow, Long, 90°, SAE 8 - str. thd. ORB x OFS
22	8750016	10	Clamp Set, 0.84 Dia. Twin
23	8750015	3	Clamp Set, 0.67 Dia.
24	8769128	4	Plate, Cover, Clamp Set, 0.67 Dia.
25	8769123	3	Plate, Cover, Clamp Set 0.84 Dia.
26	8750017	6	Plate, Locking
27	8750012	3	Bolt, Stacking
28	8307004	7	Washer, Lock 0.312
29	8303715	3	HHCS, 0.312-18 NC x 1.500"
30	8310009	4	HHCS, 0.312-18 NC x 2.000"

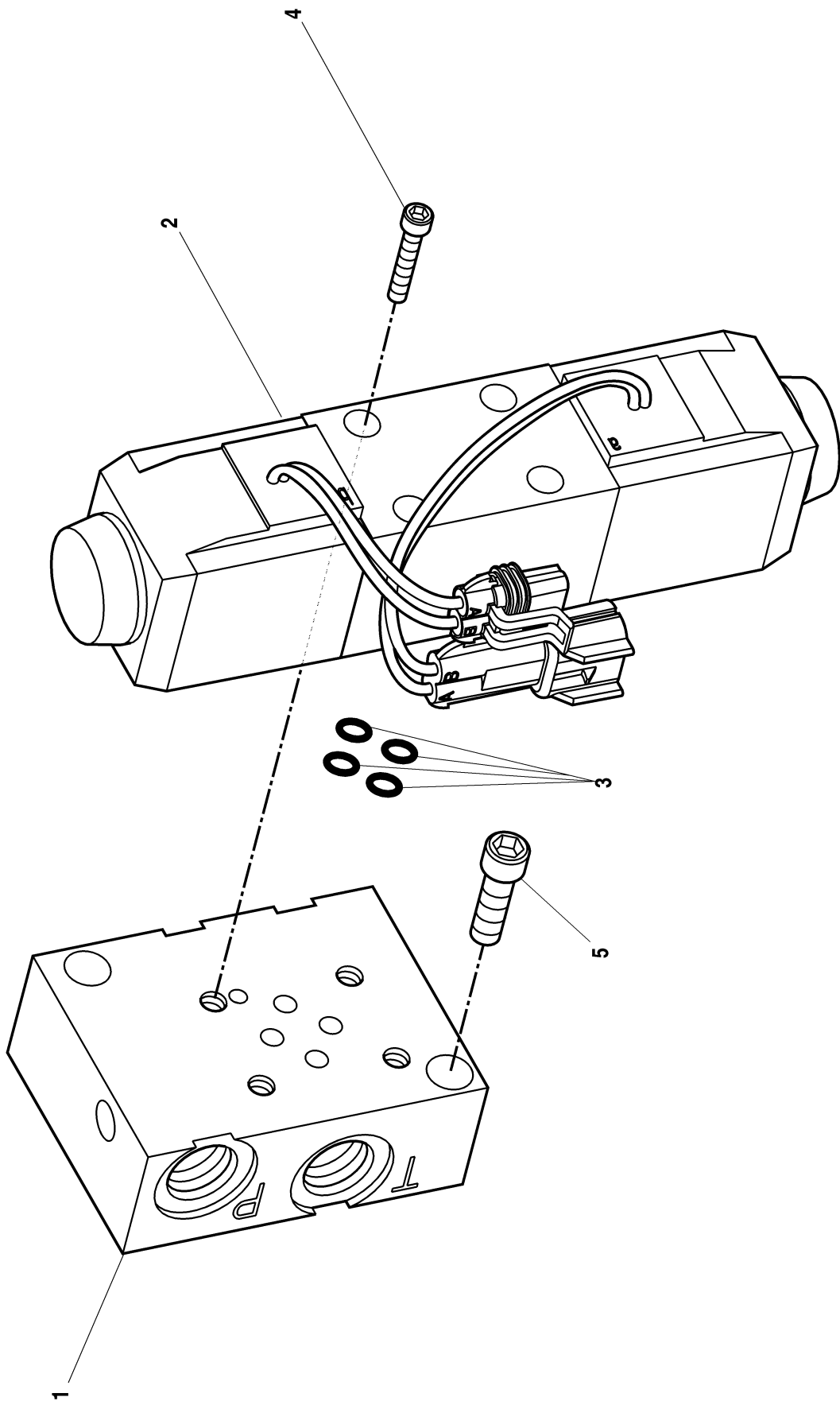
Origin
05/01

4270H
4270L
4290H
4290L

S/N 14409-

3 MODE STEERING HYDRAULIC CIRCUIT

7.1.1



ITEM PART NO. QTY. DESCRIPTION

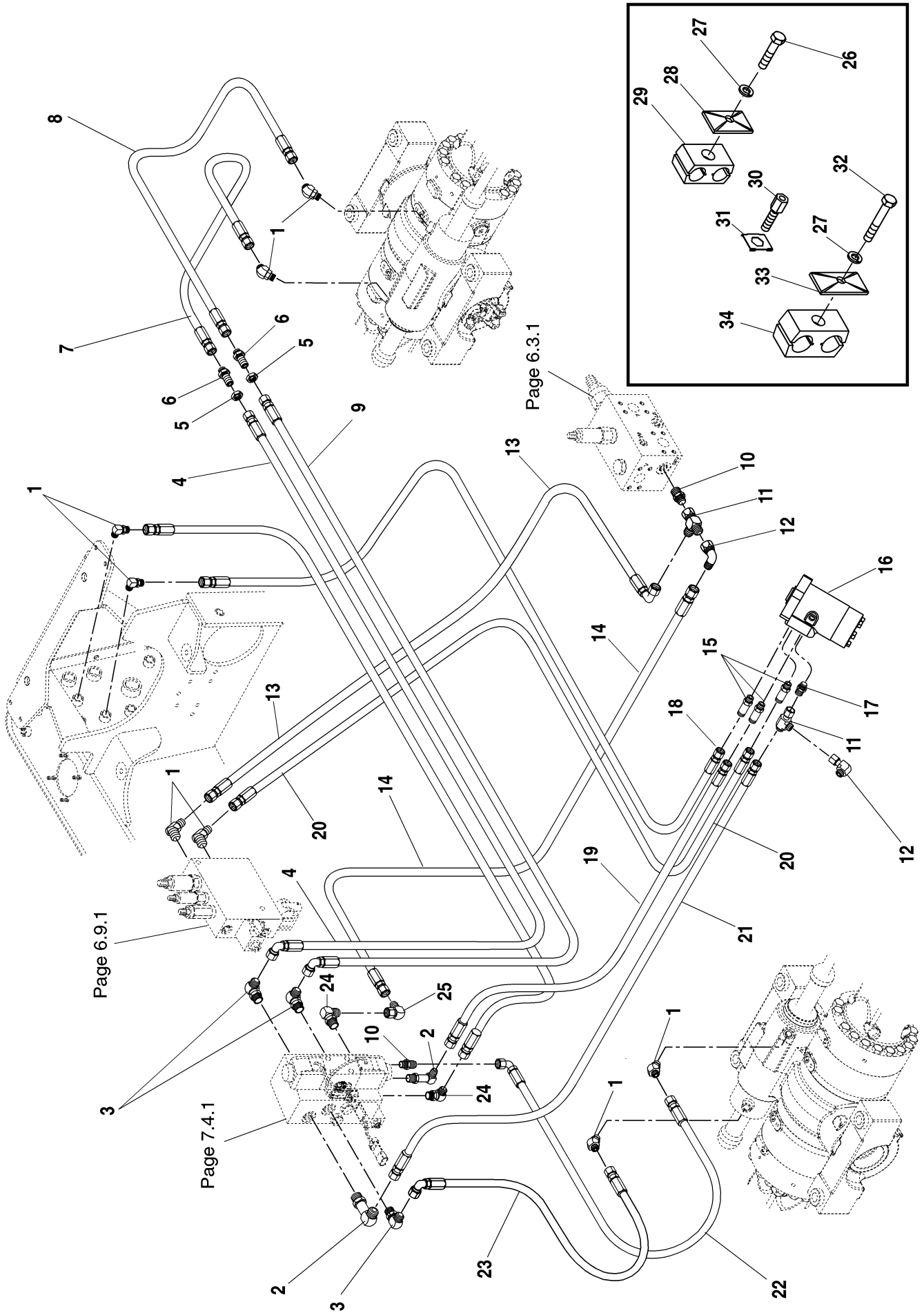
1	8902111	1	Subplate, Steer Select Valve
2	8902197	1	Valve, Steer Select (Includes Item 3)
3	8640017	A/R	O-Ring
4	8310327	4	SHCS, #10-24 NC x 1 1/8"
5	8310326	2	SHCS, 5/16"-18 NC x 1 1/8"

Origin
05/01



S/N 14409-

4270H
4270L
4290H
4290L



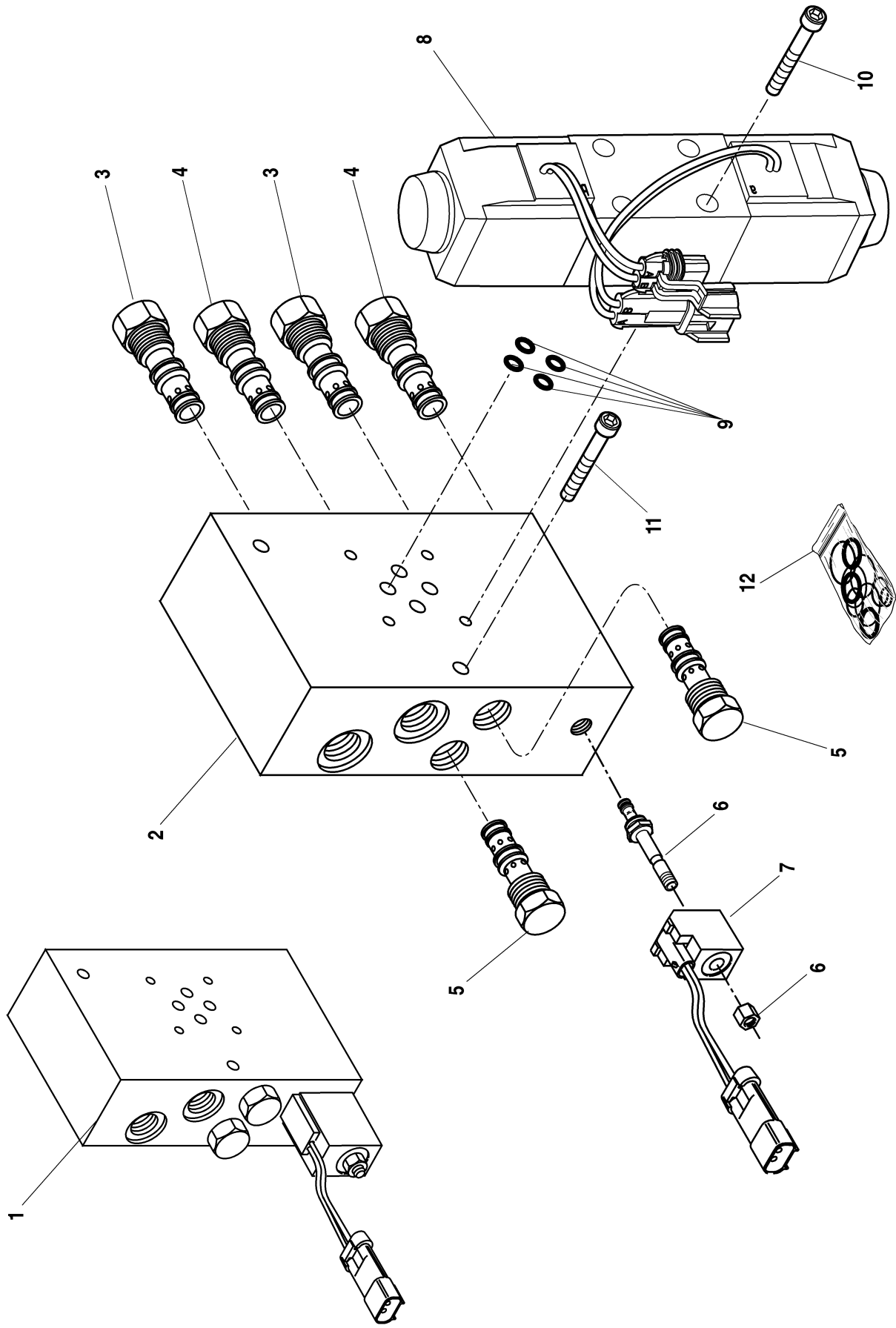
Page 6.9.1

Page 7.4.1

Page 6.3.1

ITEM	PART NO.	QTY.	DESCRIPTION
1	8770127	8	Elbow, 45°, SAE 8 - str. thd. ORB x OFS
2	8770168	2	Elbow, Long, 90°, SAE 8 - str. thd. ORB x OFS
3	8770114	3	Elbow, 90°, SAE 8 ORB x 8 FF
4	2716574	1	Hose, 0.50 X 98.0"
5	8770129	2	Nut, Bulkhead, SAE 8 - OFS
6	8770130	2	Connector, Bulkhead, SAE 8 - OFS
7	2716539	1	Hose, 0.50 x 35.25"
8	2716538	1	Hose, 0.50 x 38.63"
9	2716573	1	Hose, 0.50 x 87.75"
10	8770116	2	Connector, SAE 8 - str. thd. ORB x OFS
11	8770125	2	Tee, Swivel Run, SAE 8 - o-ring face seal
12	8770115	2	Elbow, 90° Swivel, SAE 8 - OFS
13	2716566	1	Hose, 0.50 x 16.0"
14	2716523	1	Hose, 0.75 X 22.75"
15	8770117	3	Connector, Long, SAE 8 - str. thd. ORB x OFS
16	8721029	1	Steering Orbital (See Page 3.14.1 for mounting hardware)
17	8770131	1	Connector, Male Flat face tube, w/Inlet Check
18	2716624	1	Hose, 0.50 x 113.00"
19	2716569	1	Hose, 0.50 x 30.5"
20	8776578	1	Hose, 0.75 x 87.75"
21	2716569	1	Hose, 0.50 x 82.0"
22	2716570	1	Hose, 0.50 x 115.00"
23	2716720	1	Hose
24	8770068	1	Elbow, 90°, SAE 8 ORB x 8 FF
25	8770105	1	Elbow, 90° Swivel, SAE 8 - OFS
26	8303715	A/R	HHCS, 0.312-18 NC x 1.500"
27	8307004	A/R	Washer, Lock 0.312
28	8769128	A/R	Plate, Cover, Clamp Set, 0.67 Dia.
29	8750015	A/R	Clamp Set, 0.67 Dia.
30	8750012	A/R	Bolt, Stacking
31	8750017	A/R	Plate, Locking
32	8310009	A/R	HHCS, 0.312-18 NC x 2.000"
33	8769123	A/R	Plate, Cover, Clamp Set, 0.84 Dia.
34	8750016	A/R	Clamp Set, 0.84 Dia. Twin

S/N 14409-



ITEM PART NO. QTY. DESCRIPTION

1	8902202	1	Valve, Rear Steer (includes Items 2-6)
2	N.S.S	1	Valve Block, Rear Steer
3	8036247	2	Valve, LKC
4	8036246	2	Valve, LOC
5	8036245	2	Valve, Shuttle
6	8036256	1	Cartridge, Solenoid Valve
7	8036255	1	Valve, Solenoid
8	8902197	1	Valve, Steer Select (Includes item 9)
9	8640017	4	O-Ring
10	8310327	4	SHCS, #10-24 NC x1.125"
11	8310326	2	SHCS, 0.312-18 NC x 1.125"
12	8036248	6	Seal Kit (For Items 2, 3 & 4)

N.S.S. = Not Sold Separately

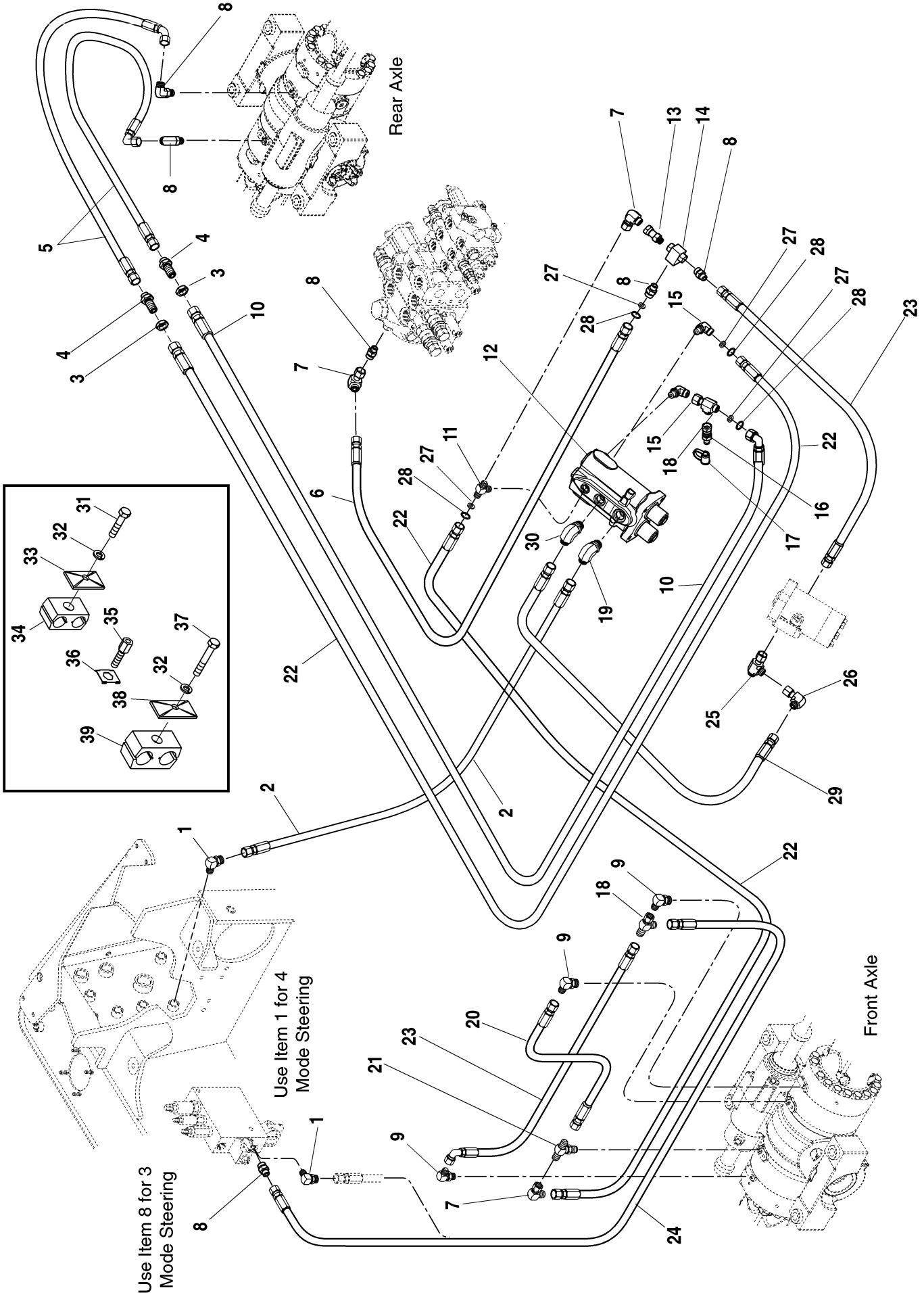
Origin
05/01

4270H
4270L
4290H
4290L

S/N 14409-

4 MODE STEERING DIRECTIONAL CONTROL VALVE

7.4.1



ITEM PART NO. QTY. DESCRIPTION

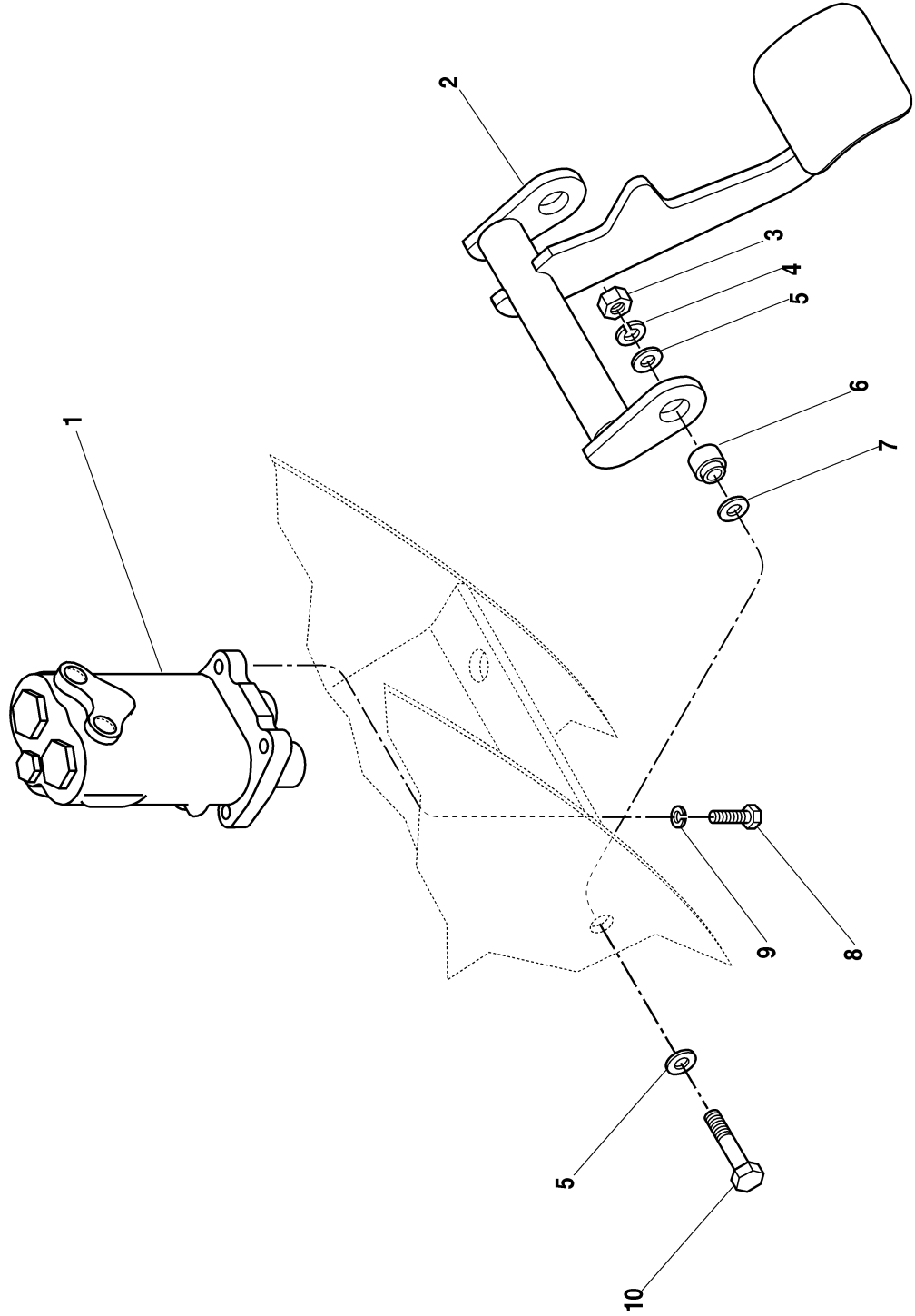
1	8770114	2	Elbow, 90°, SAE 8 - str. thd. ORB x OFS
2	2716623	1	Hose, 0.50 x 124.00"
3	8770155	2	Nut, Bulkhead, SAE 6 - OFS
4	8770169	2	Connector, Bulkhead, SAE 6 - OFS
5	2716537	2	Hose, 0.38 x 31.75"
6	2716650	1	Hose, 0.38 x 155.00"
7	8770105	3	Elbow, 90° Swivel, SAE 6 - OFS
8	8770106	6	Connector, SAE 6 - str. thd. ORB x OFS
9	8770068	3	Elbow, 90°, SAE 6 - str. thd. ORB x OFS
10	2716577	1	Hose, 0.38 x 120.00"
11	8770183	1	Tee, Branch, 6-M14 - metric str. thd. ORB x OFS (Includes O-Ring)
12	8902274	1	Valve, Brake (Includes Items 11, 15, 19 & 30)
13	8770176	1	Connector, Swivel SAE 6 - str. thd. ORB x OFS
14	8902175	1	Valve, Shuttle
15	8770109	2	Elbow, 90°, M14-6 - metric str. thd. ORB x OFS (Includes O-Ring)
16	8430081	1	Nipple, Diagnostic
17	8430032	1	Plug, Dust
18	8770111	2	Tee, Swivel Run, SAE 6 - OFS
19	8770175	1	Elbow, 90°, M22-8 - metric str. thd. ORB x OFS (Includes O-Ring)
20	2716536	1	Hose, 0.38 x 7.50"
21	8770112	1	Tee, Branch, SAE 6 - str. thd. ORB x OFS
22	2716576	2	Hose, 0.38 x 116.00"
23	2716648	2	Hose, 0.38 x 16.50"
24	2716575	1	Hose, 0.38 x 117.50"
25	8770125	2	Tee, Swivel Run, SAE 8 - o-ring face seal
26	8770115	2	Elbow, 90° Swivel, SAE 8 - OFS
27	8630003	4	Disk, Orifice
28	7139212	4	O-Ring
29	2716649	1	Hose .50 x 8.62
30	8770121	1	Elbow, 90° 18mm ORB x 8 FF
31	8303715	A/R	HHCS, 0.312-18 NC x 1.500"
32	8307004	A/R	Washer, Lock 0.312
33	8769128	A/R	Plate, Cover, Clamp Set, 0.67 Dia.

34	8750015	A/R	Clamp Set, 0.67 Dia.
35	8750012	A/R	Bolt, Stacking
36	8750017	A/R	Plate, Locking
37	8310009	A/R	HHCS, 0.312-18 NC x 2.000"
38	8769123	A/R	Plate, Cover, Clamp Set, 0.84 Dia.
39	8750016	A/R	Clamp Set, 0.84 Dia. Twin

Origin
05/01

4270H
4270L
4290H
4290L

S/N 14409-



ITEM PART NO. QTY. DESCRIPTION

1	8902274	1	Valve, Brake
2	7136713	1	Pedal, Service Brake
3	8305012	2	Nut, Hex 1/2-13
4	8307007	2	Washer, Lock 1/2"
5	8307206	4	Washer, Flat 1/2"
6	7129521	4	Pivot, Brake Pedal
7	5724302	A/R	Shim
8	8303755	4	HHCS, M10-1,5 x 30mm
9	8307023	4	Washer, Lock M10
10	8303658	4	HHCS, 1/2-13 x 2"

Origin
05/01

4270H
4270L
4290H
4290L

S/N 14409-

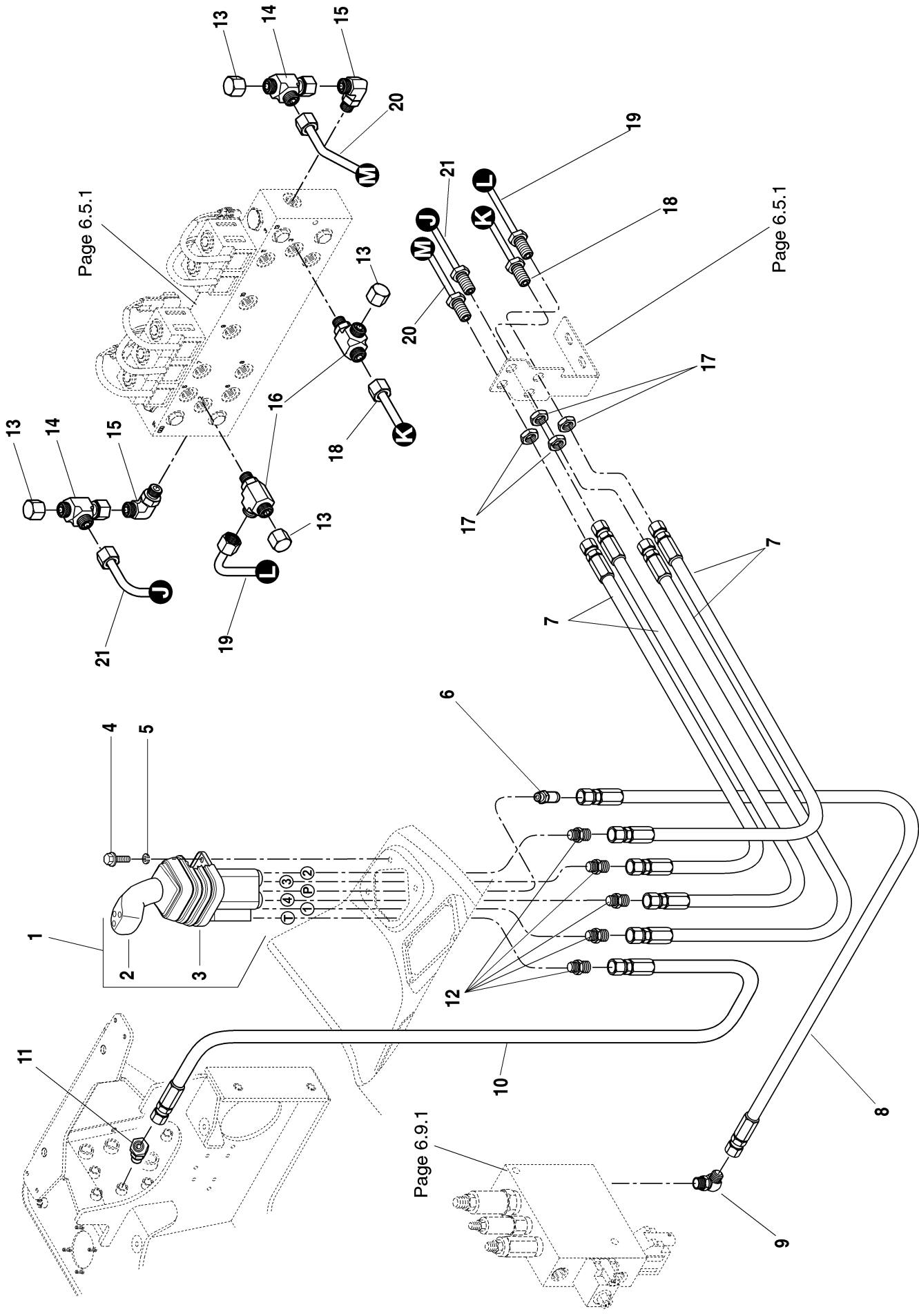
SERVICE BRAKE VALVE AND PEDAL MOUNTING

7.6.1

TABLE OF CONTENTS

Section 8 — Frame Control Hydraulics

Joystick Hydraulic Circuit	8.1.1
Frame Tilt and Stabil-Trak Circuit	8.2.1
Frame Tilt Cylinder	8.3.1
Stabil-Trak Cylinder.	8.4.1
Stabil-Trak Cylinder Valves	8.5.1



Page 6.5.1

Page 6.5.1

Page 6.9.1

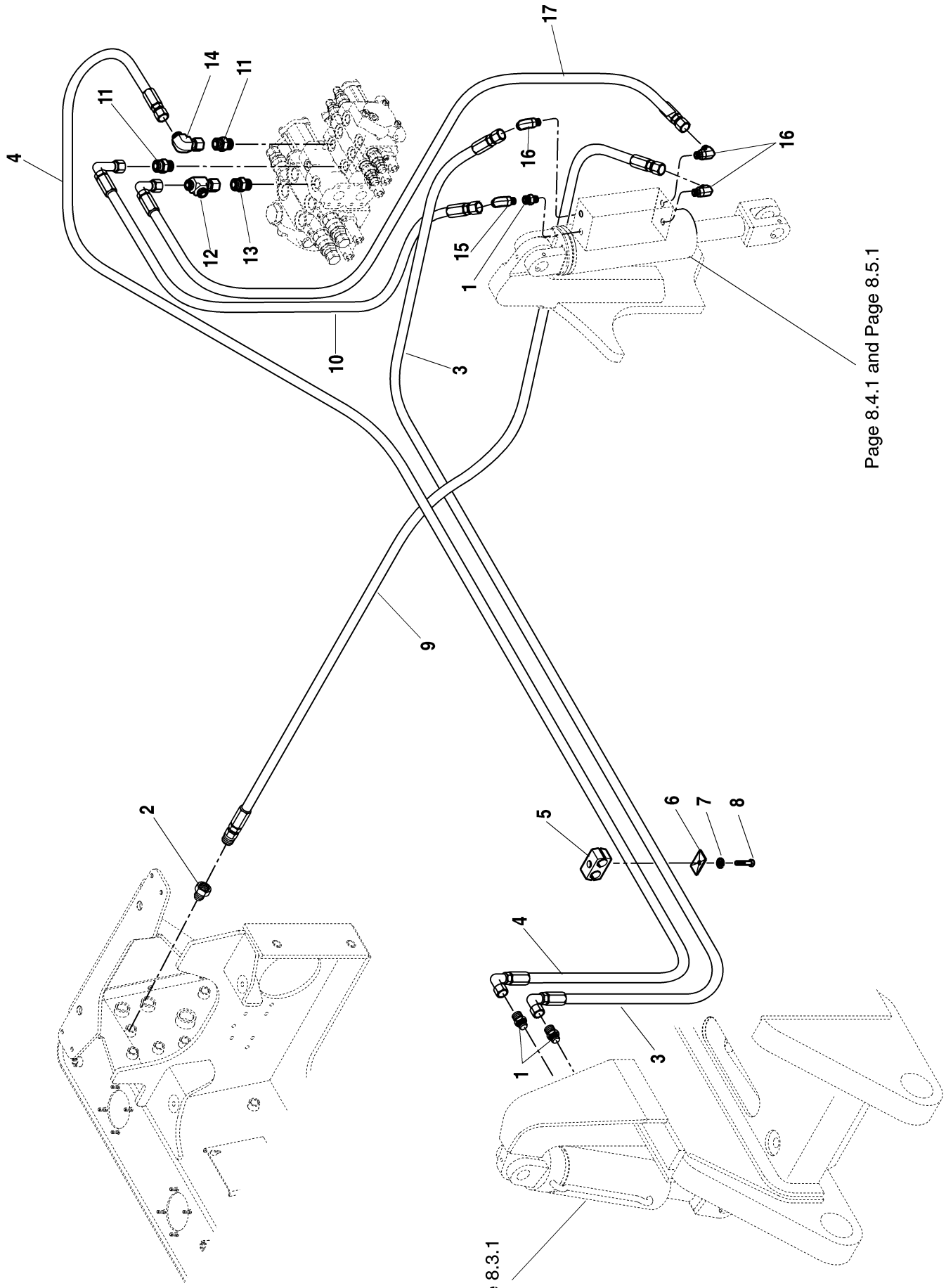
ITEM PART NO. QTY. DESCRIPTION

1	7133942	1	Valve, Joystick (Includes Items 2 and 3)
2	7133932	1	Handle Assembly
3	8035777	1	Boot, Rubber
4	8303705	3	Screw, Cap Flange Hd. 1/4-20 x 3/4"
5	8307002	3	Washer, Lock 1/4"
6	8770107	1	Connector, Long, SAE 6 - str. thd. ORB x OFS
7	2715312	4	Hose, 0.38 x 120.50"
8	2716572	1	Hose, 0.38 x 98.13"
9	8770114	1	Elbow, 90°, SAE 8 - str. thd. ORB x OFS
10	2716630	1	Hose, 0.38 x 98.00"
11	8770127	1	Elbow, 45°, SAE 8 - str. thd. ORB x OFS
12	8770106	5	Connector, SAE 6 - str. thd. ORB x OFS
13	8770108	8	Cap, SAE 6 - OFS
14	8770111	2	Tee, Swivel Run, SAE 6 - OFS
15	8770068	2	Elbow, 90°, SAE 6 - str. thd. ORB x OFS
16	8770066	6	Tee, Male Run, SAE 6 - ORFS
17	8770155	4	Nut, Bulkhead
18	7138773	1	Tube
19	7138775	1	Tube
20	7138774	1	Tube
21	7138776	1	Tube

S/N 14409-

JOYSTICK HYDRAULIC CIRCUIT

8.1.1



Page 8.3.1

Page 8.4.1 and Page 8.5.1

ITEM PART NO. QTY. DESCRIPTION

1	8770106	3	Connector, SAE 6 - str. thd. ORB x OFS
2	8770127	1	Elbow, 45°, SAE 8 - str. thd. ORB x OFS
3	2716636	1	Hose, 0.38 x 207.00"
4	2716637	1	Hose, 0.38 x 208.00"
5	8750015	1	Clamp Set, 0.67" Dia.
6	8769123	1	Plate, Cover
7	8307004	1	Washer, 3/8"
8	8303759	1	HHCS, 3/8"-18 NC x 1-1/4"
9	2716640	1	Hose, 0.38 x 121.25"
10	2716638	1	Hose, 0.38 x 29.88"
11	8770116	2	Connector, SAE 8 - str. thd. ORB x OFS
12	8770124	1	Tee, Male Run, SAE 8
13	8770186	1	Reducer, SAE 10-8
14	8770115	1	Elbow, 90° Swivel, SAE 8 - OFS
15	8770105	1	Elbow, 90° Swivel, SAE 6 - OFS
16	8770068	3	Elbow, 90°, SAE 6 - str. thd. ORB x OFS
17	2716639	1	Hose, 0.38 x 29.88"

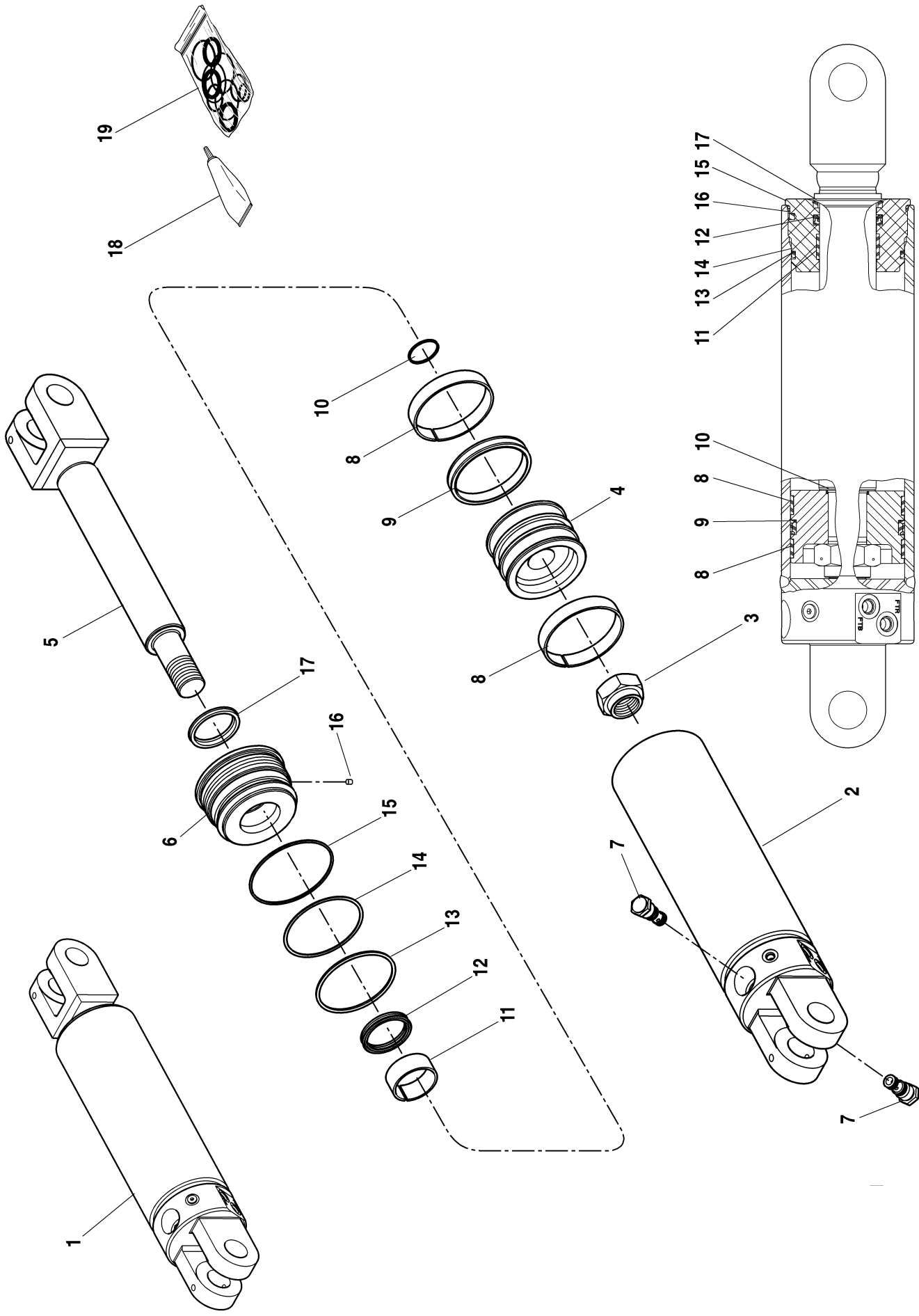
Origin
05/01

S/N 14409-

4270H
4270L
4290H
4290L

FRAME TILT AND STABIL-TRAK CIRCUIT

8.2.1



ITEM PART NO. QTY. DESCRIPTION

1	2716563	1	Cylinder, Frame Tilt (Includes Items 2 thru 17)
2	N.S.S	1	Tube, Weldment (Order 2716563)
3	8035322	1	Nut, Hex Lock 1.50-12 UNF
4	8035323	1	Piston
5	8035758	1	Rod, Weldment
6	8035324	1	Gland, Head
7	8035757	2	Valve, PO Check Valve - Series 10
8	See Kits	2	Wearband, Precision
9	See Kits	1	T-Seal, Type 730 Capped
10	See Kits	1	O-Ring
11	See Kits	1	Wearband, Precision
12	See Kits	1	Z-Seal, Deep - w/Rod Back-Up
13	See Kits	1	O-Ring
14	See Kits	1	Ring, Back-Up
15	See Kits	1	O-Ring
16	See Kits	1	Locking Insert
17	See Kits	1	Wiper, Hd. Rod - Sealed O.D.
18	8526011	A/R	Threadlocker, Loctite #271 (250cc)

N.S.S. = Not Sold Separately

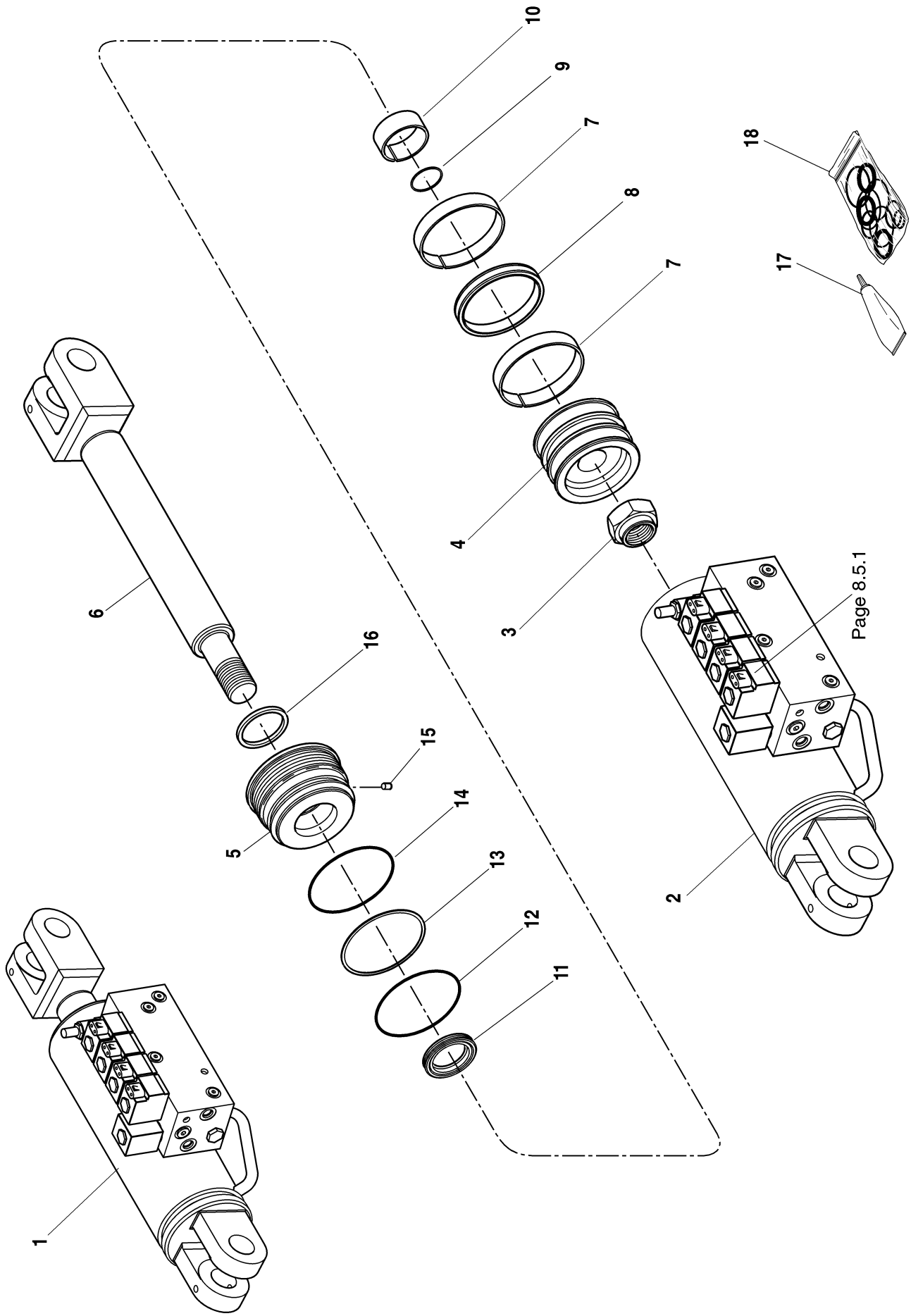
KITS

19	8035326		Seal Kit (Includes Items 8 thru 17)
----	---------	--	-------------------------------------

Origin
05/01

4270H
4270L
4290H
4290L

S/N 14409-



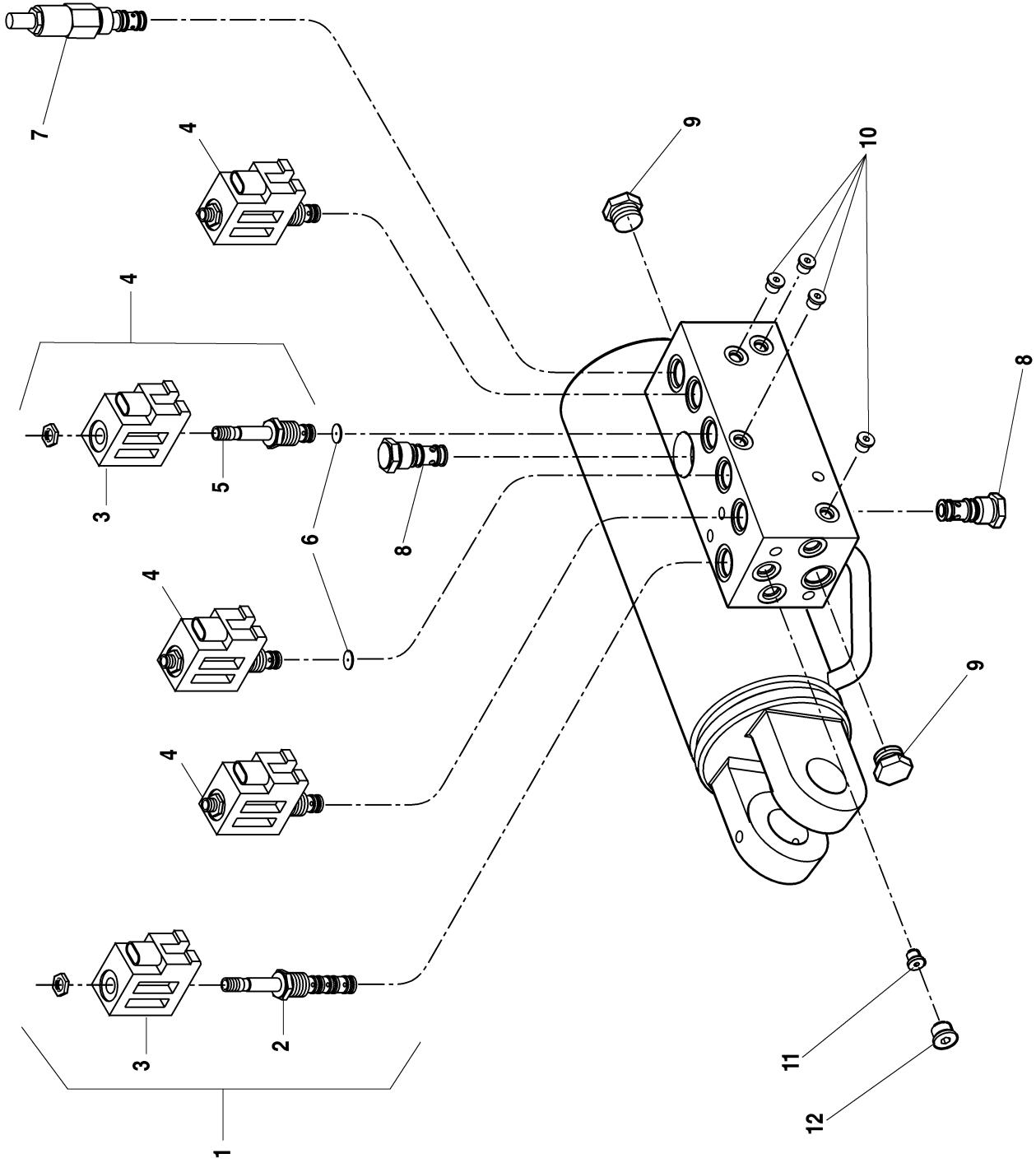
ITEM PART NO. QTY. DESCRIPTION

1	2716564	1	Cylinder, Stabil-Trak (Includes Items 2 thru 16 And Items 1 thru 12 on page 8.5.1)
2	N.S.S	1	Tube, Weldment
3	8035322	1	Nut, Lock 1.50-12 UNF
4	8035323	1	Piston
5	8035324	1	Gland, Head
6	8035783	1	Rod, Weldment
7	See Kits	2	Wearband, Precision
8	See Kits	1	T-Seal, Type 730 Capped
9	See Kits	1	O-Ring
10	See Kits	1	Wearband, Precision
11	See Kits	1	Z-Seal, Deep - w/Rod Back-Up
12	See Kits	1	O-Ring
13	See Kits	1	Ring, Back-Up
14	See Kits	1	O-Ring
15	See Kits	1	Locking Insert
16	See Kits		Wiper, Hd. Rod - Sealed O.D.
17	8526011	A/R	Threadlocker, Loctite #271 (250cc)
			N.S.S. = Not Sold Separately
			KITS
18	8035326		Seal Kit (Includes Items 8 thru 16)

Origin
05/01

4270H
4270L
4290H
4290L

S/N 14409-



ITEM PART NO. QTY. DESCRIPTION

1	8036020	1	Solenoid Valve Assembly - 4 Way, 12V (Includes Items 2 and 3)
2	8036290	1	Cartridge, Solenoid Valve
3	8036288	5	Coil, Solenoid
4	8036019	4	Solenoid Valve Assembly - 2 Way, NC, 12V (Includes Items 3 and 5)
5	8036289	4	Cartridge, Solenoid Valve
6	8035781	2	Disk, Conical Orifice .060" Dia.
7	8035282	1	Valve, Pressure Reducing (100)
8	8035281	2	Valve, PO Check - Series 10
9	8760420	2	Plug, Hex Hd., SAE 10-male str. thd. o-ring
10	8035785	4	Plug, Hex - SAE #4 Steel Hol.
11	8035782	1	Plug, Orifice .030" Dia.
12	8035784	1	Plug, Hex - SAE #6 Steel Hol.

Origin
05/01

4270H
4270L
4290H
4290L

S/N 14409-

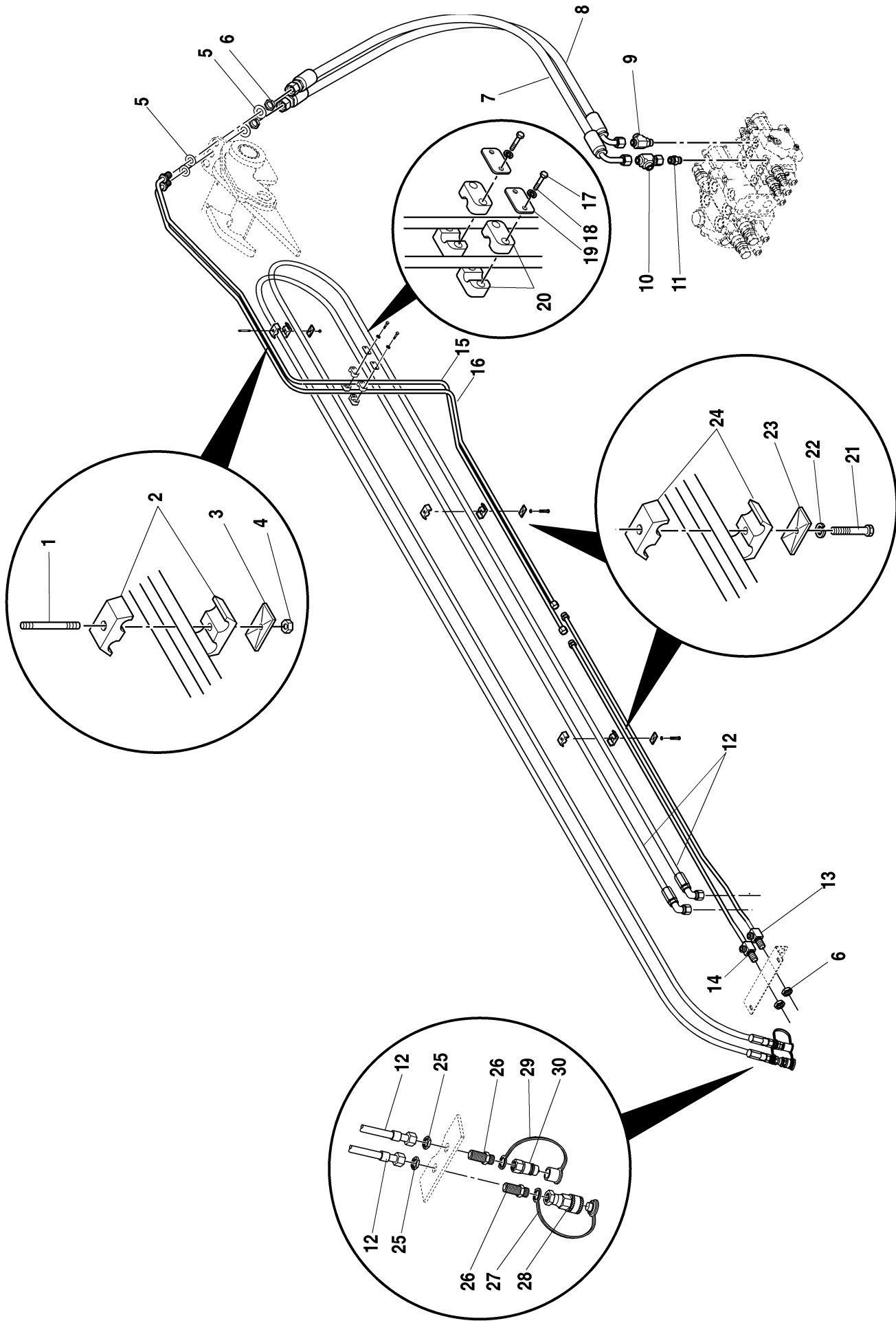
STABIL-TRAK CYLINDER VALVES

8.5.1

TABLE OF CONTENTS

Section 9 — Auxiliary Attachment Hydraulic Circuit (optional)

Auxiliary Hydraulic Circuit Low Pivot (optional).....	9.1.1
Auxiliary Hydraulic Circuit High Pivot (optional)	9.1.2
Aux Hydraulics - Valves, Manifold and Tubing	9.2.1
Aux Detent Hydraulics - Valves, Manifold and Tubing.....	9.3.1
Auxiliary Detent Selector Valve.....	9.4.1



ITEM PART NO. QTY. DESCRIPTION

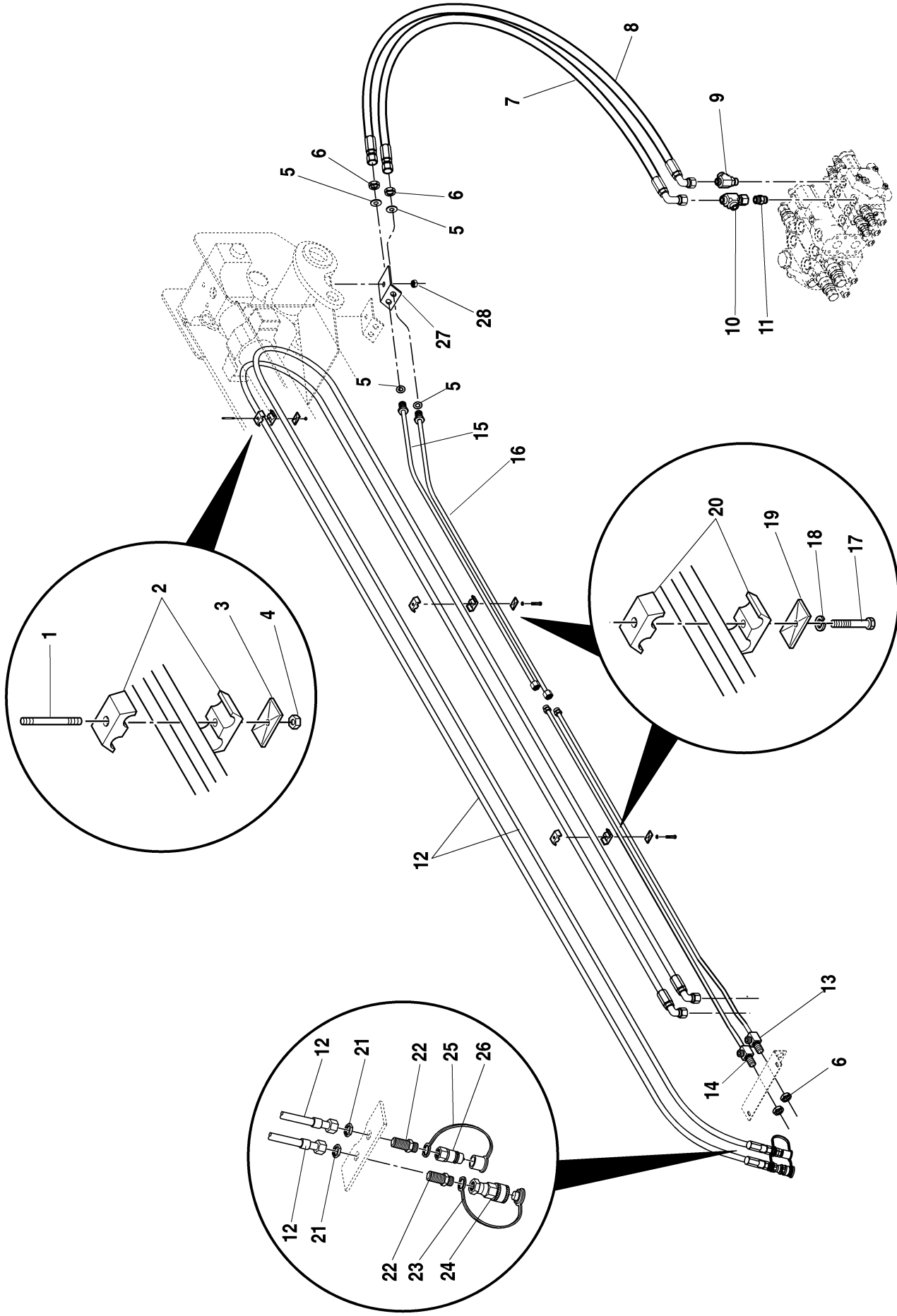
1	8306407	1	Stud, 5/16-18 x 2.75"
2	8750027	1	Clamp Set
3	8769128	1	Plate, Cover
4	8310453	1	Nut, Hex 5/16-18 NC
5	5724302	4	Shim
6	8770075	4	Nut, Bulkhead
7	2716652	1	Hose, 0.50 x 46.25"
8	2716653	1	Hose, 0.50 x 47.25"
9	8770124	1	Tee, Male Run, SAE 8 - ORFS
10	8770125	1	Tee, Swivel Run, SAE 8 - OFS
11	8770116	1	Connector, SAE 8 - str. thd. ORB x OFS
12	2716619	2	Hose, 0.50 x 422"
13	7136083	1	Tube Assembly
14	7136073	1	Tube Assembly
15	7136113	1	Tube Assembly
16	7136103	1	Tube Assembly
17	8303743	4	HHCS, 1/4"-20 NC x 1 1/2"
18	8307002	4	Washer, Lock
19	8769153	2	Plate, Cover
20	8769154	2	Clamp Set
21	8303715	2	HHCS, 5/16-18 NC x 1 1/2"
22	8307004	2	Washer, Lock
23	8769123	2	Plate, Cover
24	8769122	2	Clamp Set
25	8770129	2	Nut, Bulkhead, SAE 8 - OFS
26	8770136	2	Connector, Bulkhead, SAE 8 - str. thd.
27	8430005	1	Quick Disconnect, Female, SAE 8-8ORB
28	8420055	1	Plug, Dust #8
29	8420053	1	Cap, Dust #8
30	8430006	1	Quick Disconnect, Male, SAE 8-8ORB

Origin
05/01

4270H
4270L
4290H
4290L

S/N 14409-

AUXILIARY HYDRAULIC CIRCUIT - LOW PIVOT (OPTIONAL) 9.1.1



ITEM PART NO. QTY. DESCRIPTION

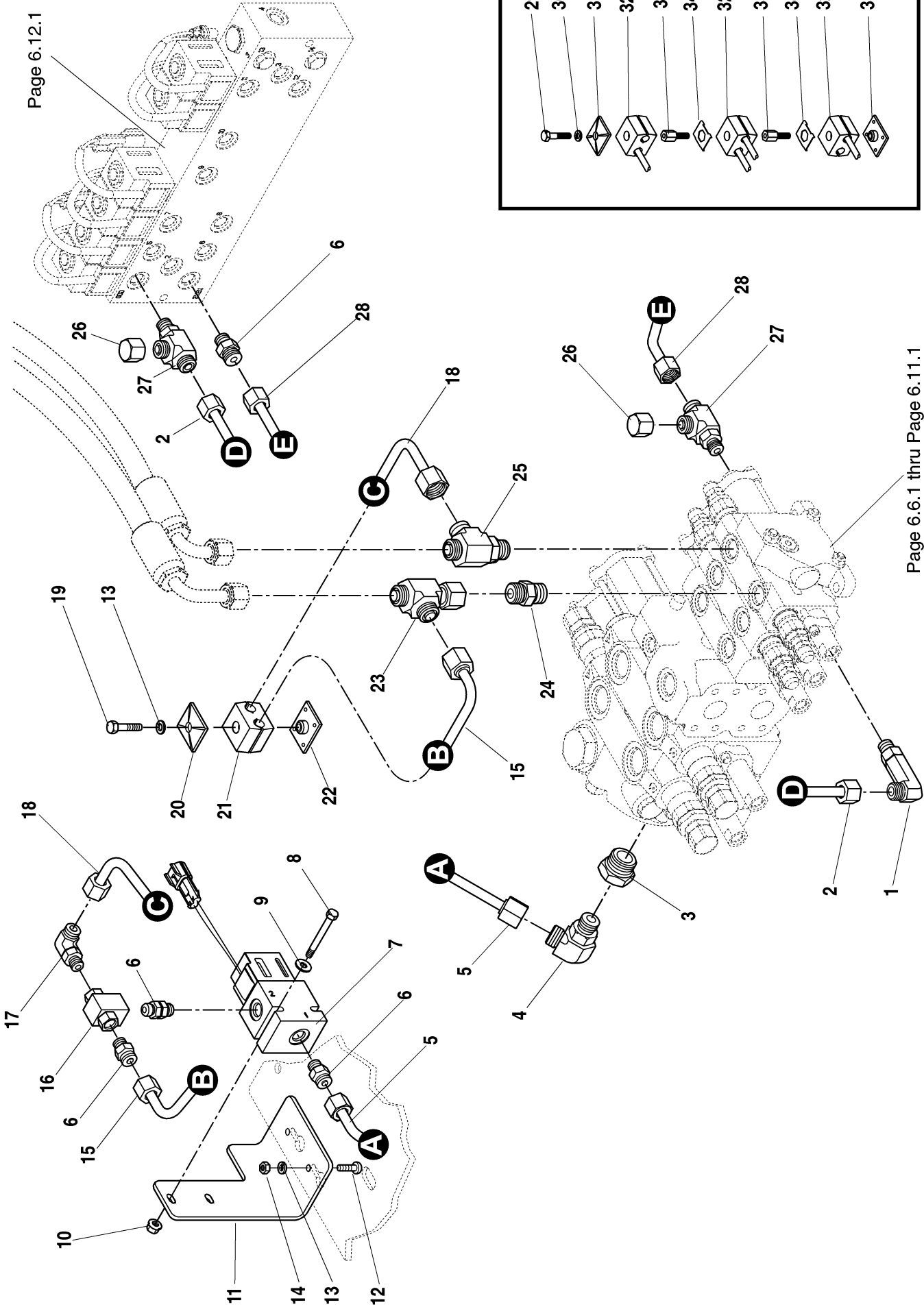
1	8306407	1	Stud, 5/16-18 x 2.75"
2	8750027	1	Clamp Set
3	8769128	1	Plate, Cover
4	8310453	1	Nut, Hex 5/16-18 NC
5	5724302	4	Shim
6	8770075	4	Nut, Bulkhead
7	2716652	1	Hose, 0.50 x 46.25"
8	2716653	1	Hose, 0.50 x 47.25"
9	8770124	1	Tee, Male Run, SAE 8 - ORFS
10	8770125	1	Tee, Swivel Run, SAE 8 - OFS
11	8770116	1	Connector, SAE 8 - str. thd. ORB x OFS
12	2716752	2	Hose, 0.50 x 422"
13	7139228	1	Tube Assembly
14	7139229	1	Tube Assembly
15	7139279	1	Tube Assembly
16	7139278	1	Tube Assembly
17	8303715	2	HHCS, 5/16-18 NC x 1 1/2"
18	8307004	2	Washer, Lock
19	8769123	2	Plate, Cover
20	8769122	2	Clamp Set
21	8770129	2	Nut, Bulkhead, SAE 8 - OFS
22	8770136	2	Connector, Bulkhead, SAE 8 - str. thd.
23	8430005	1	Quick Disconnect, Female, SAE 8-8ORB
24	8420055	1	Plug, Dust #8
25	8420053	1	Cap, Dust #8
26	8430006	1	Quick Disconnect, Male, SAE 8-8ORB
27	7139443	1	Bracket, Bulkhead
28	8305645	1	Nut, Hex Lock Elastic 3/8-16

Origin
05/01

4270H
4270L
4290H
4290L

S/N 14409-

AUXILIARY HYDRAULIC CIRCUIT - HIGH PIVOT (OPTIONAL) 9.1.2



Page 6.12.1

Page 6.6.1 thru Page 6.11.1

ITEM PART NO. QTY. DESCRIPTION

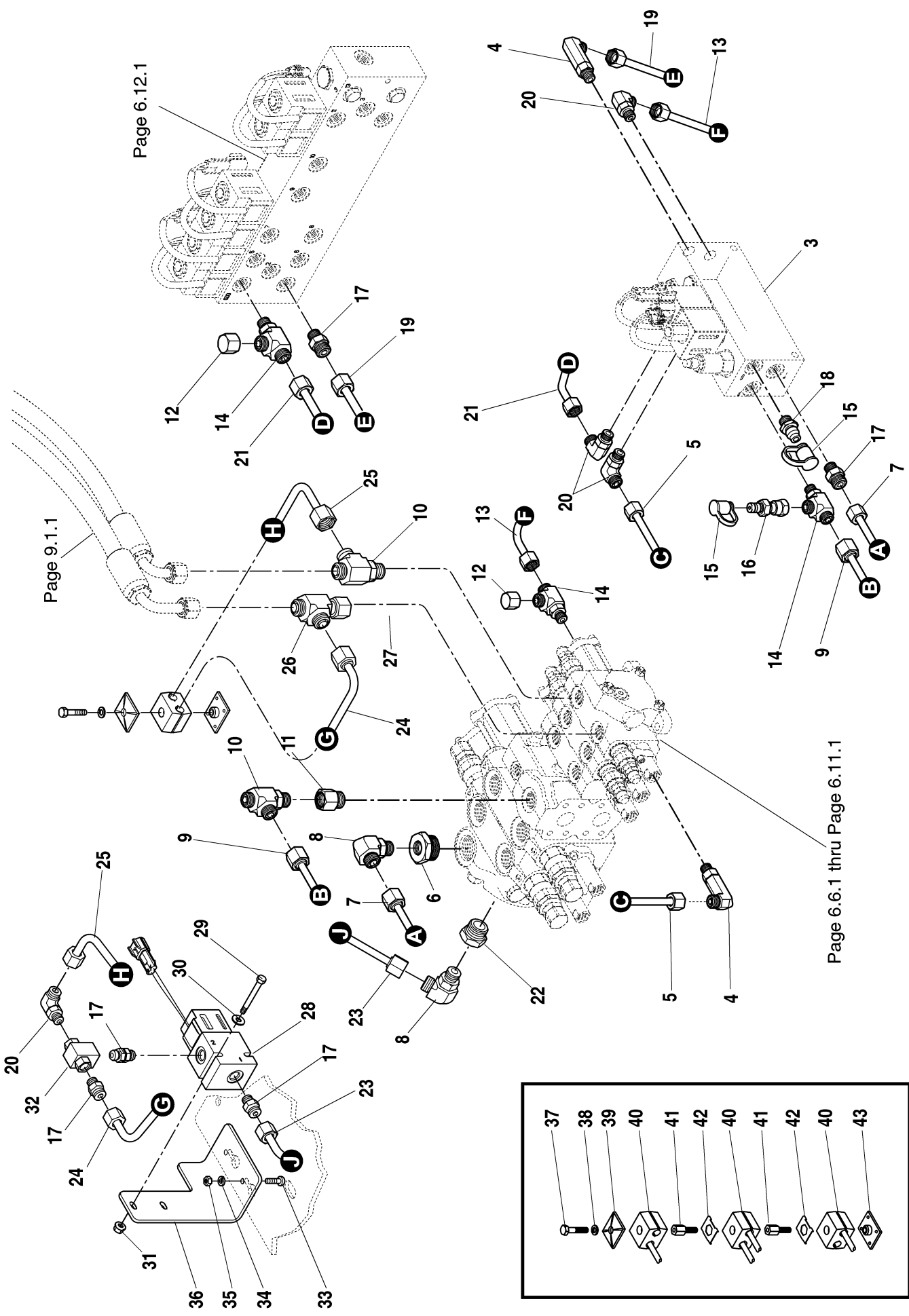
1	8770154	1	Elbow, Long, 90°, SAE 4 - str. thd. ORB x OFS
2	7138770	1	Tube
3	8760535	1	Reducer, SAE 12-8 - male str
4	8770114	1	Elbow, 90°, SAE 8 - str. thd. ORB x OFS
5	7138779	1	Tube
6	8770106	4	Connector, SAE 6 - str. thd. ORB x OFS
7	8902191	1	Valve, Solenoid Dump
8	8303703	4	HHCS, 0.25-20 NC x 2.50"
9	8307202	2	Washer, Plain 0.25"
10	8310382	2	Nut, Flange
11	7136892	1	Bracket, Dump Valve
12	8310484	2	Bolt, Carriage, 1/4-20 NC x 1.00"
13	8307002	2	Washer, Lock 0.25"
14	8305004	2	Nut, Hex 0.25-20 NC
15	7139038	1	Tube
16	8902175	1	Valve, Shuttle
17	8770068	1	Elbow, 90°, SAE 6 - str. thd. ORB x OFS
18	7138778	1	Tube
19	8303743	1	HHCS, 0.25-20 NC x 1.50"
20	8750020	1	Plate, Cover
21	8750018	1	Clamp, Set
22	8750019	1	Plate, Welding
23	8770125	1	Tee, Swivel Run, SAE 8 - OFS
24	8770116	1	Connector, SAE 8 - str. thd. ORB x OFS
25	8770124	1	Tee, Male Run, SAE 8 - ORFS
26	8770108	3	Cap, SAE 6 - OFS
27	8770066	2	Tee, Male Run, SAE 6 - ORFS
28	7138766	1	Tube
29	8303743	1	HHCS, 0.250-20 NC x 1.50"
30	8307002	1	Washer, Lock 0.25"
31	8750020	1	Plate, Cover
32	8750018	3	Clamp Set
33	8750021	2	Bolt, Stacking
34	8750017	2	Plate, Locking
35	8750019	1	Plate, Welding

Origin
05/01

4270H
4270L
4290H
4290L

S/N 14409-

AUX HYDRAULICS - VALVES, MANIFOLD AND TUBING 9.2.1



- | | |
|----|--|
| 37 | |
| 38 | |
| 39 | |
| 40 | |
| 41 | |
| 42 | |
| 40 | |
| 41 | |
| 42 | |
| 40 | |
| 43 | |

ITEM PART NO. QTY. DESCRIPTION

1	8902183	1	Valve, Main Control (See Pages 6.6.1-6.11.1 for Breakdown)
2	8902182	1	Manifold, Pilot Select
3	8902180	1	Valve, Selector Aux. Hydraulics
4	8770154	2	Elbow, Long, 90°, SAE 4 - str. thd. ORB x OFS
5	7138780	1	Tube
6	8760545	1	Reducer, SAE 16-8
7	7139040	1	Tube
8	8770114	1	Elbow, 90°, SAE 8 - str. thd. ORB x OFS
9	7139039	1	Tube
10	8770124	1	Tee, Male Run, SAE 8
11	8770186	1	Reducer, SAE 10-8
12	8770108	1	Cap, SAE 6 - OFS
13	7138782	1	Tube
14	8770066	1	Tee, Male Run, SAE 6
15	8430032	2	Plug, Dust
16	8430081	1	Nipple, Diagnostic
17	8770106	2	Connector, SAE 6 - str. thd. ORB x OFS
18	8430043	1	Nipple, Diagnostic
19	7138783	1	Tube
20	8770068	4	Elbow, 90°, SAE 6 - str. thd. ORB x OFS
21	7138781	1	Tube
22	8760535	1	Reducer, SAE 12-8
23	7138779	1	Tube
24	7138038	1	Tube
25	7138778	1	Tube
26	8770125	1	Tee, Swivel Run, SAE 8 - OFS
27	8770116	1	Connector, SAE 8 - str. thd. ORB x OFS
28	8902191	1	Valve, Solenoid Dump
29	8303703	2	HHCS, 0.25-20 NC x 2.50"
30	8307202	2	Washer, Plain 0.25"
31	8310382	2	Nut, Flange
32	8902175	1	Valve, Shuttle
33	8310484	2	Bolt, Carriage, 1/4-20 NC x 1.00"
34	8307002	2	Washer, Lock 0.25"
35	8305004	2	Nut, Hex 0.25-20 NC
36	7136892	1	Bracket, Dump Valve

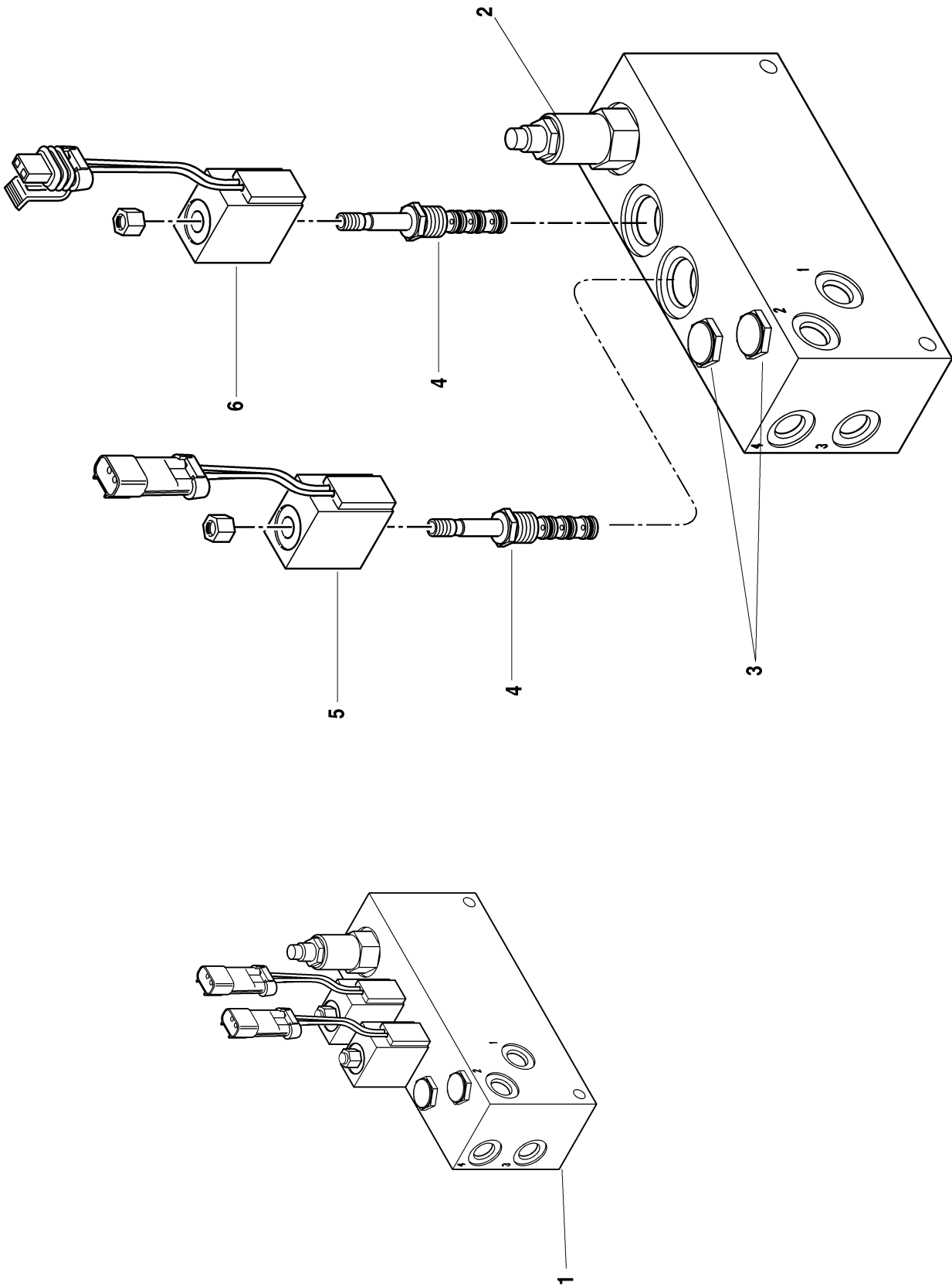
37	8303743	1	HHCS, 0.250-20 NC x 1.50"
38	8307002	1	Washer, Lock 0.25"
39	8750020	1	Plate, Cover
40	8750018	3	Clamp Set
41	8750021	2	Bolt, Stacking
42	8750017	2	Plate, Locking
43	8750019	1	Plate, Welding

Origin
05/01

4270H
4270L
4290H
4290L

S/N 14409-

AUX DETENT HYDRAULICS - VALVES, MANIFOLD AND TUBING 9.3.1



ITEM PART NO. QTY. DESCRIPTION

1	8902180	1	Valve, Selector (Auxiliary Detent Hydraulics Only) (Includes Items 2 thru 6)
2	8035859	1	Cartridge, Pressure Reducing [550 ± 100 psi (38 ± 7 bar) at 0 G.P.M. (0 liter/sec) (Auxiliary Detent Hydraulics Only)
3	8035858	2	Valve, Shuttle (Auxiliary Detent Hydraulics Only)
4	8035860	2	Cartridge, Solenoid Valve (Auxiliary Detent Hydraulics Only)
5	8902694	1	Coil, Solenoid Valve, Female Connector (Auxiliary Detent Hydraulics Only)
6	8902693	1	Coil, Solenoid Valve, Male Connector (Auxiliary Detent Hydraulics Only)

Origin
05/01

S/N 14409-

4270H
4270L
4290H
4290L

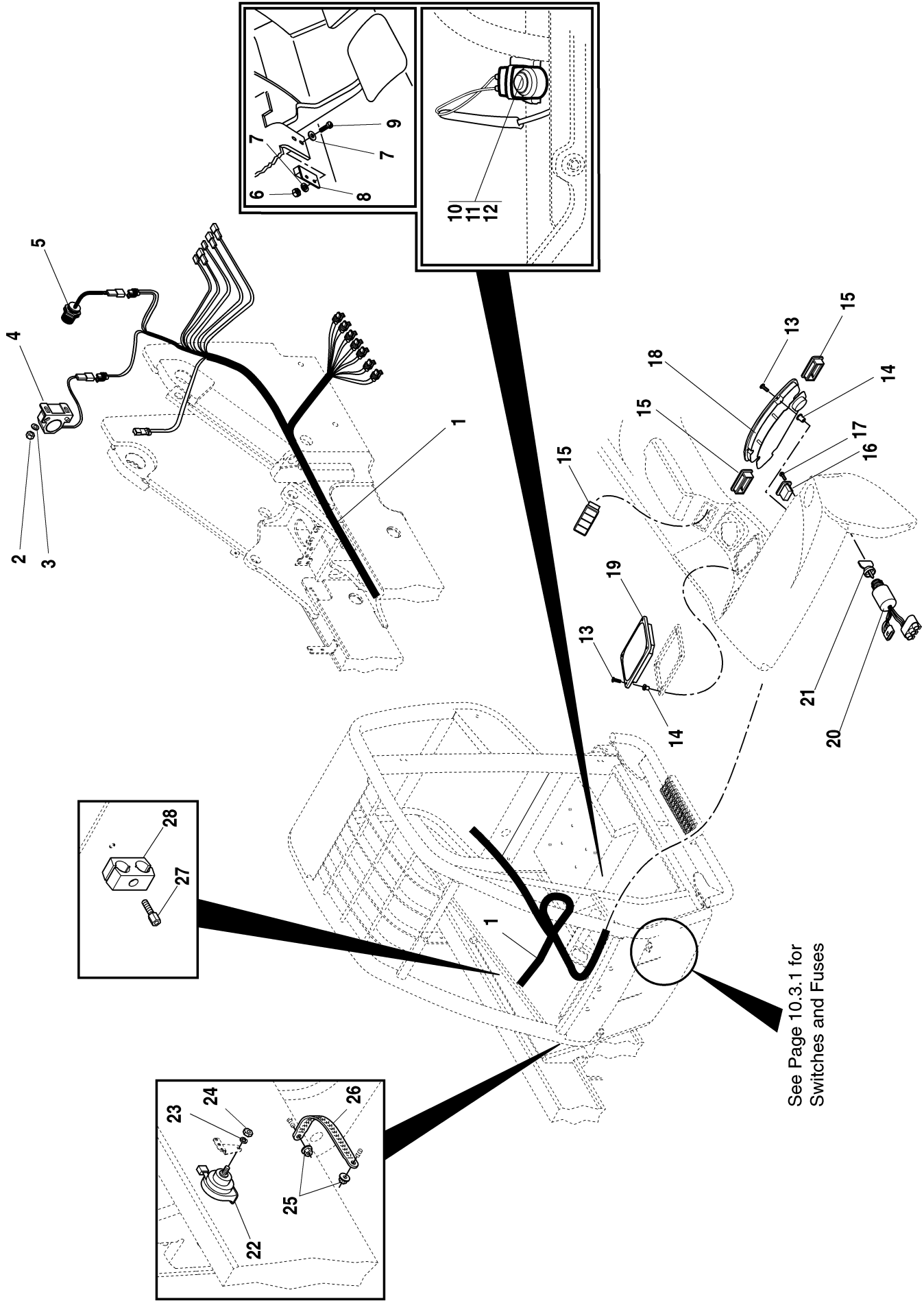
AUXILIARY DETENT SELECTOR VALVE

9.4.1

TABLE OF CONTENTS

Section 10 — Electrical

Operators Cab Wiring Harness	10.1.1
Engine Wiring Harness	10.2.1
Switches and Fuses	10.3.1
Roadlights Assembly	10.4.1
Roadlights - Switchs and Fuses	10.5.1
Worklights Assembly.	10.6.1



See Page 10.3.1 for
Switches and Fuses

ITEM PART NO. QTY. DESCRIPTION ITEM PART NO. QTY. DESCRIPTION

1	7135034	1	Harness, Cab
2	8305624	3	Nut, Hex Lock Elastic 1/4-20
3	8307109	3	Washer, Flat 1/4"
4	8270621	1	Alarm, Back-up
5	7130682	1	Sensor, Boom
6	8310085	2	Nut, Hex Lock Elastic #10-24
7	8307111	4	Washer, Flat #10 Narrow
8	8223231	1	Switch, Magnetic Proximity
9	8310016	2	Screw, Slotted Pan Hd. #10-24 x 1"
10	8584001	1	Tie, Plastic
11	8223053	1	Switch, Maintenance Reset
12	8584018	1	Mount, Cable Tie
13	8310358	8	BHCS, #10-32 x 3/4"
14	8580421	8	Nut, Well #10-32
15	8223046	3	Bezel, Switch
16	8467017	1	Hourmeter
17	8310366	2	Screw, Wood, Round Hd. #6 x 1/2"
18	8220344	1	Dash, Front Console
19	8220346	1	Panel, Side Console (Logic Board)
20	8223453	1	Switch, Ignition (Includes Item 21)
21	8035807	1	Key, Ignition - Set of 2
22	8270620	1	Horn, Signal
23	8307024	1	Washer, Lock M6
24	8305439	1	Nut, Hex Jam M6-1
25	8305645	2	Nut, Hex Lock, 3/8-16 NC
26	6611172	1	Ground Cable, Cab to Frame
27	8750026	1	Bolt, Stacking
28	8750022	1	Clamp Set

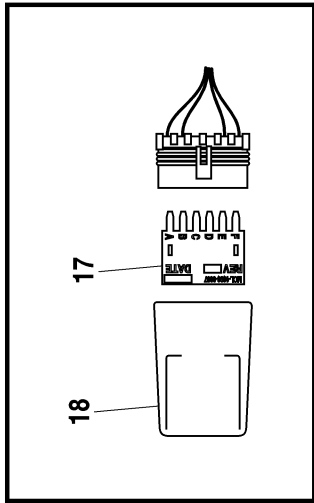
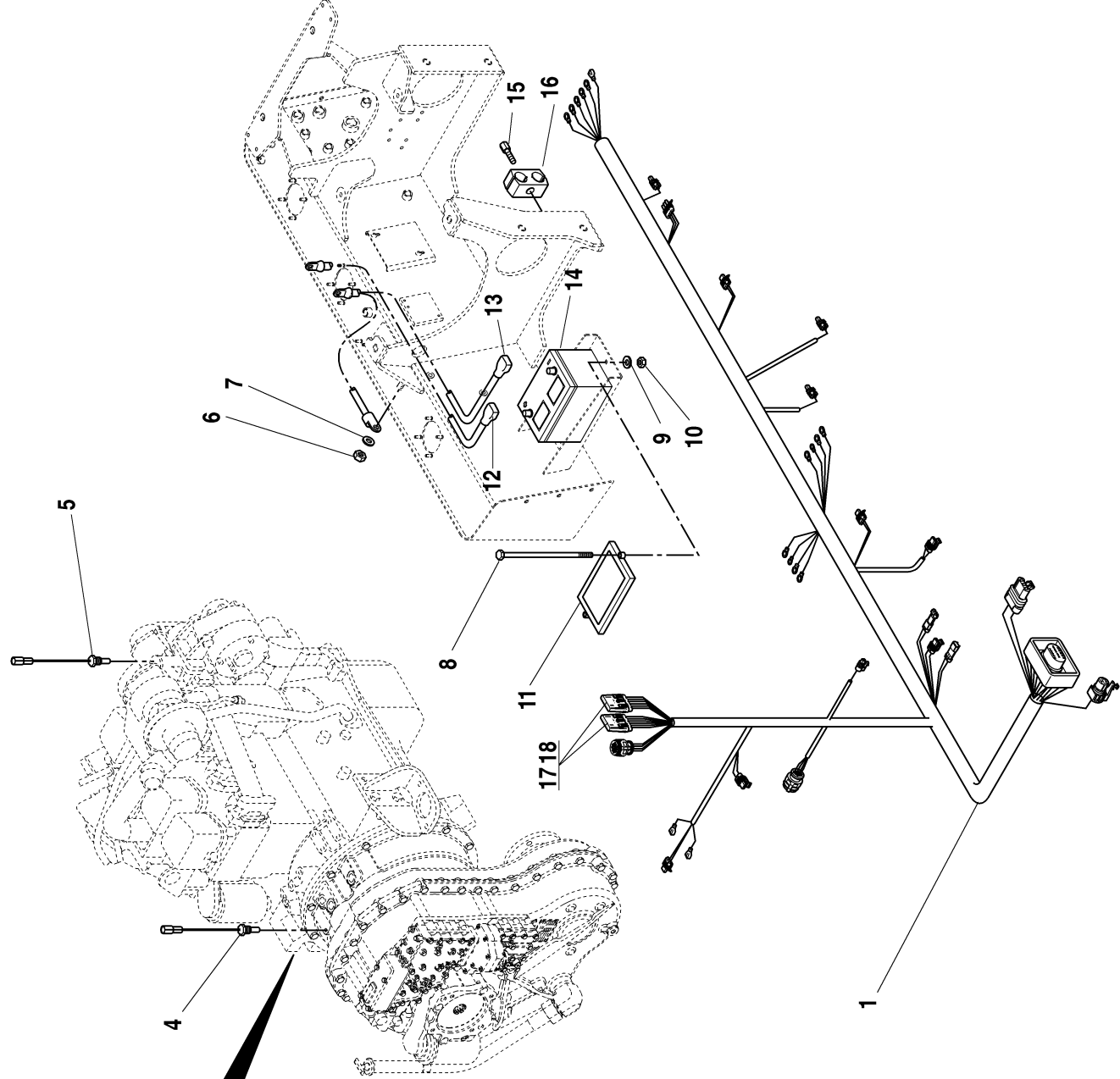
Origin
05/01

4270H
4270L
4290H
4290L

S/N 14409-

OPERATORS CAB WIRING HARNESS

10.1.1



ITEM PART NO. QTY. DESCRIPTION

1	7135044	1	Harness, Engine
2	8035276	1	Solenoid, Fuel Shut Off
3	8223530	1	Switch, Engine Oil Pressure
4	8223232	1	Switch, Transmission Temperature - 250° F (121° C)
5	8223229	1	Switch, Engine Water Temperature - 210° F (99° C)
6	8305603	1	Nut, Hex Lock 3/8-16
7	8307204	1	Washer, Flat 3/8"
8	8310344	2	HHCS, 3/8-16 x 10"
9	8307110	2	Washer, Plain, 3/4"
10	8305645	2	Nut, Hex Lock Elastic 3/8-16
11	7138830	1	Battery Hold Down
12	8270139	1	Cable, Battery - Positive w/Protective Cover
13	8270138	1	Cable, Battery - Negative w/Protective Cover
14	8270134	1	Battery, 12 Volt
15	8750026	1	Bolt, Stacking
16	8750022	1	Clamp Set
17	8220356	1	Board, Diode, Rear Steer
18	8220357	1	Cap, Clear Ves-Pac

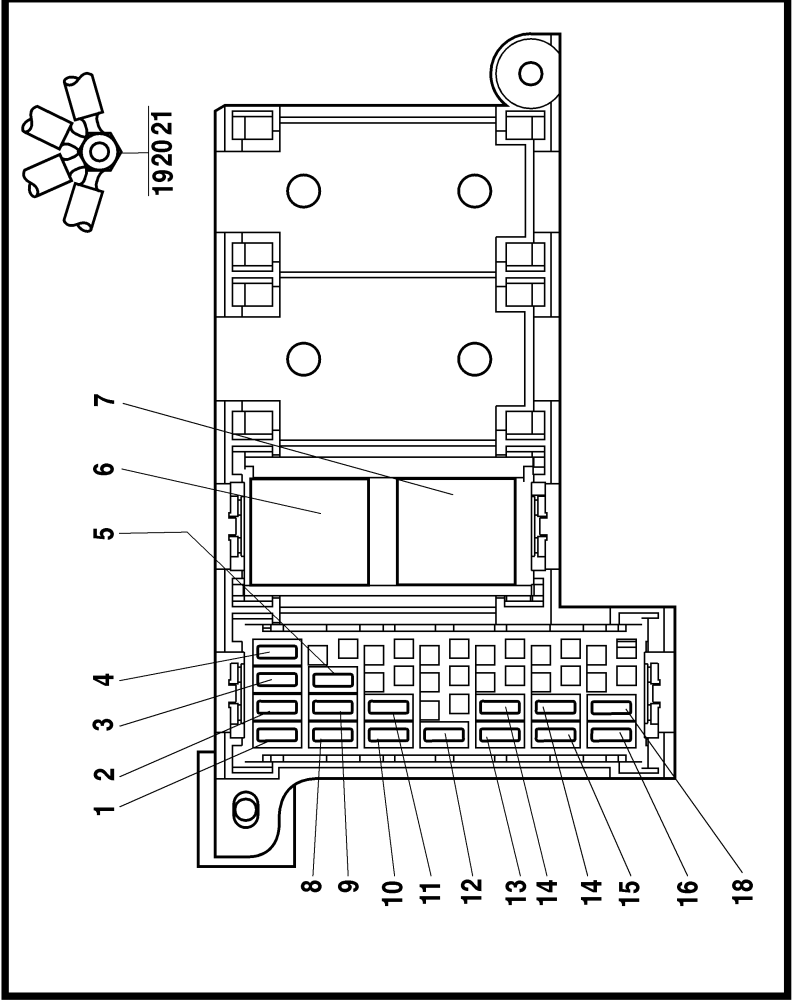
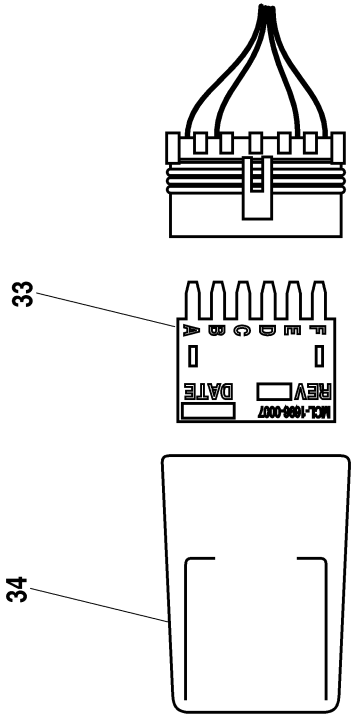
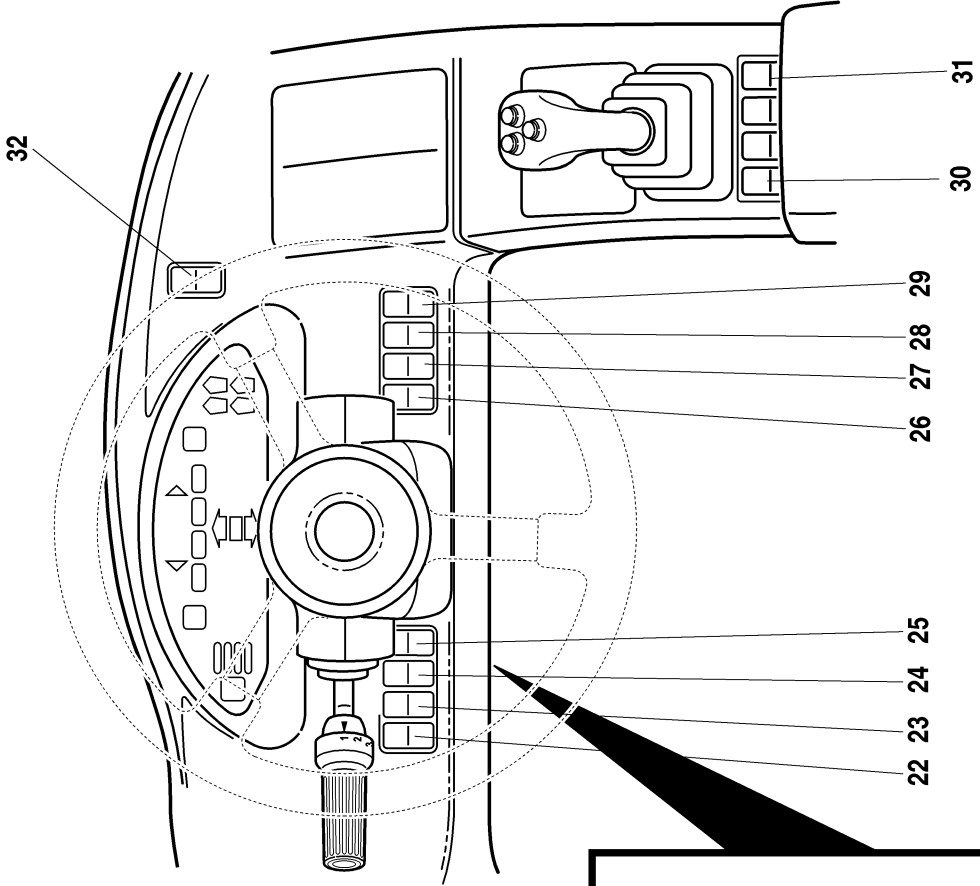
Origin
05/01

4270H
4270L
4290H
4290L

S/N 14409-

ENGINE WIRING HARNESS

10.2.1



ITEM PART NO. QTY. DESCRIPTION

1	8229242	1	Fuse, 5 Amp, Transmission Direction (Tan)
2	8229252	1	Fuse, 1 Amp, Hour Meter (Black)
3	8229247	1	Fuse, 25 Amp, Ignition (White)
4	8229245	1	Fuse, 30 Amp, Main (Green)
5	8229242	1	Fuse, 5 Amp, Rear Steer (Tan)
6	8225119	1	Relay, Sealed 12V - 40A, Rear Steer
7	8225119	1	Relay, Sealed 12V - 40A, Neutral Engage
8	8229242	1	Fuse, 5 Amp, Transmission Gear (Tan)
9	8229244	1	Fuse, 15 Amp, Dash Panel (Blue)
10	8229252	1	Fuse, 1 Amp, Park Brake (Black)
11	8229242	1	Fuse, 5 Amp, Joystick Panel (Tan)
12	8229252	1	Fuse, 1 Amp, Service Brake (Black)
13	8229242	1	Fuse, 5 Amp, Steer Mode
14	8229242	2	Fuse, 5 Amp, Auxiliary Detent
15	8229243	1	Fuse, 7.5 Amp, Horn (Tan)
16	8229252	1	Fuse, 1 Amp, Switch Lamps (Black)
17	8229242	1	Fuse, 5 Amp, FSOS (Tan)
18	8229243	1	Fuse, 7.5 Amp, Rotating Beacon (Opt) (Brown)
19	8307002	1	Washer, Lock 1/4"
20	8303540	1	HHCS, 1/4-20 x 1.00"
21	8305624	1	Nut, Hex Lock, 1/4"-20
22	8223054	1	Switch, Park Brake
23	8223039	1	Switch, Auxiliary Detent (Optional)
24	8223050	1	Switch, Auxiliary, Dump Valve
25	8223047	1	Switch, Rear Steer Mode
26	8223059	1	Switch, Worklights
27	8223061	1	Switch, Windshield Wiper/Washer
28	8223040	1	Switch, Roof Wiper
29	8223048	1	Switch, Attachment Tilt Mode
30	8223038	1	Switch, Rotating Beacon (Optional)
31	8223051	1	Switch, Steer Select
32	8223060	1	Switch, Hazard Lights
33	8220356	1	Board, Diode, Rear Steer
34	8220357	1	Cap, Clear Ves-Pac

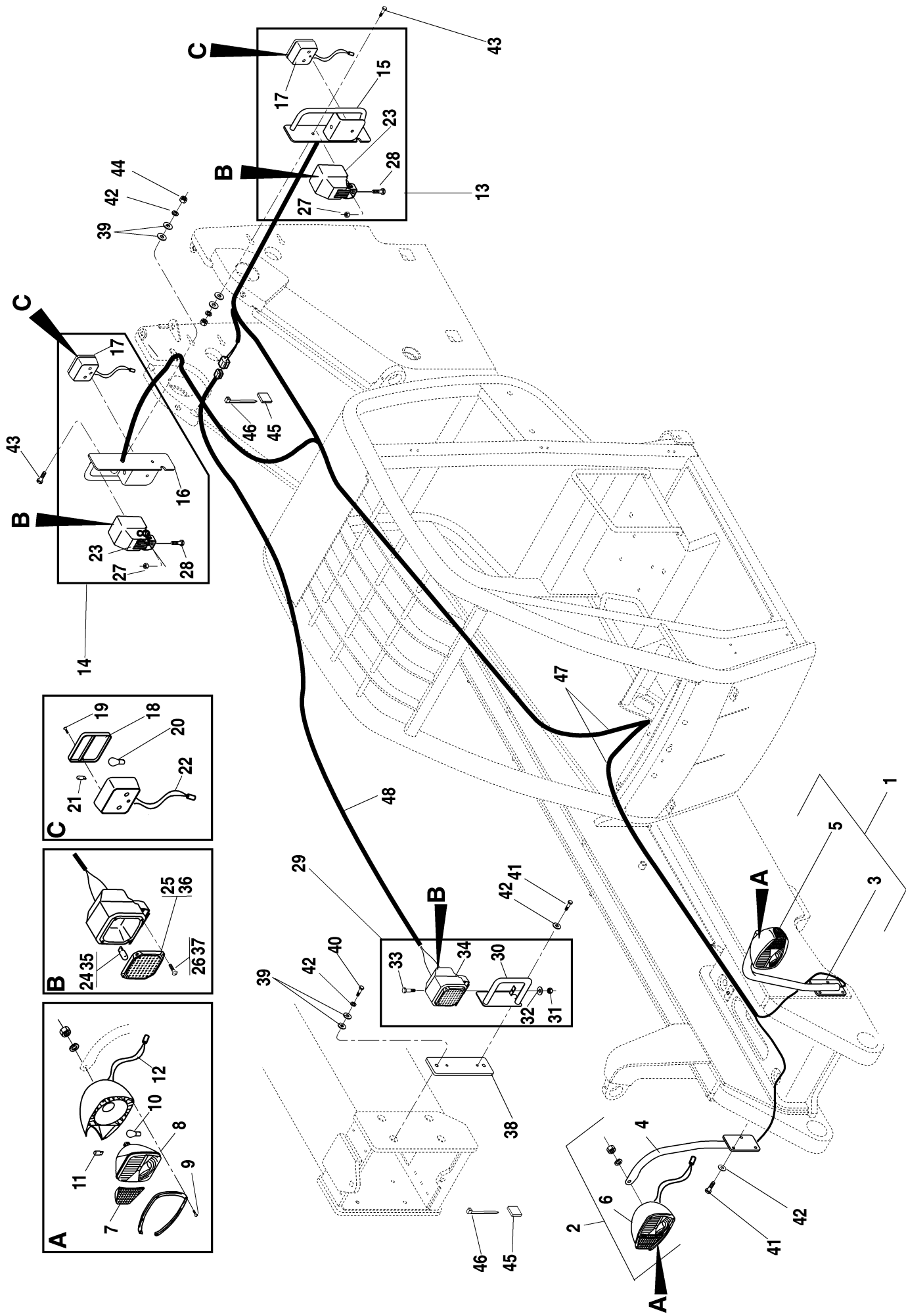
Origin
05/01

4270H
4270L
4290H
4290L

S/N 14409-

SWITCHES AND FUSES

10.3.1

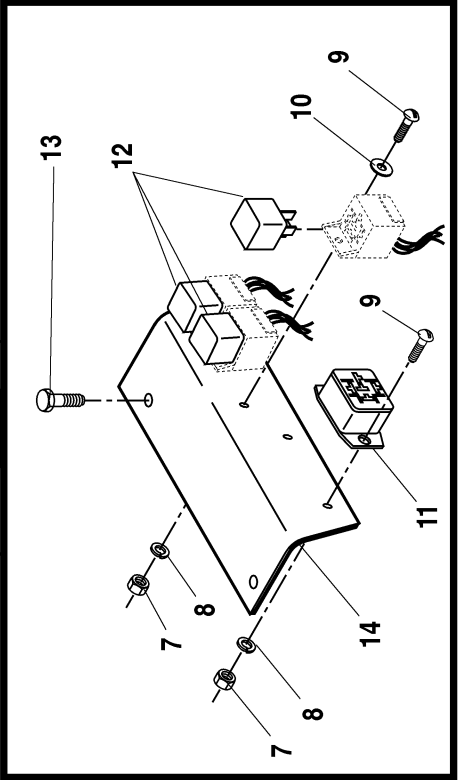
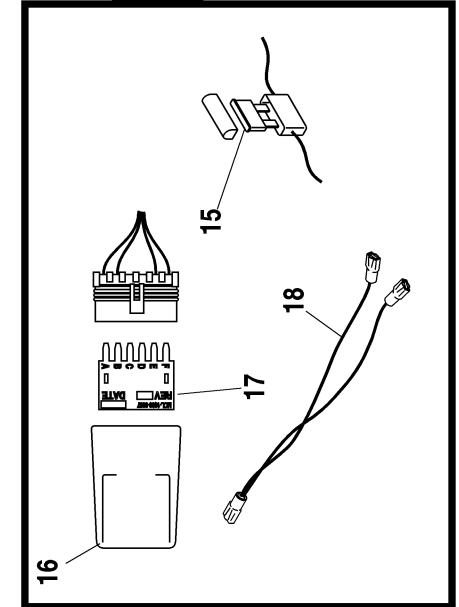
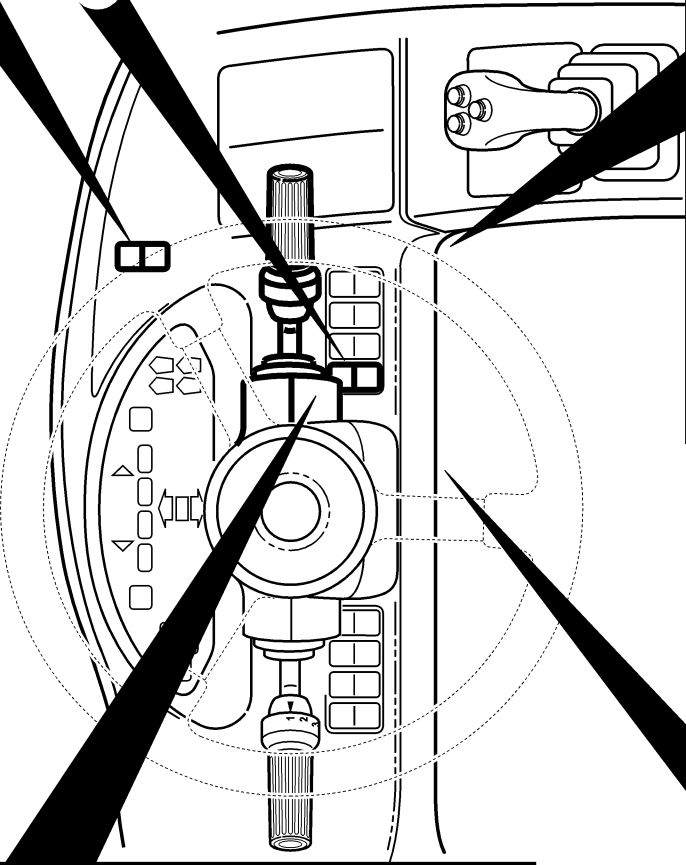
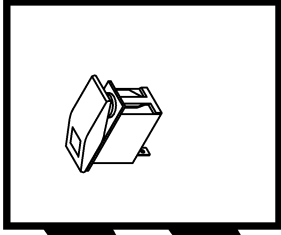
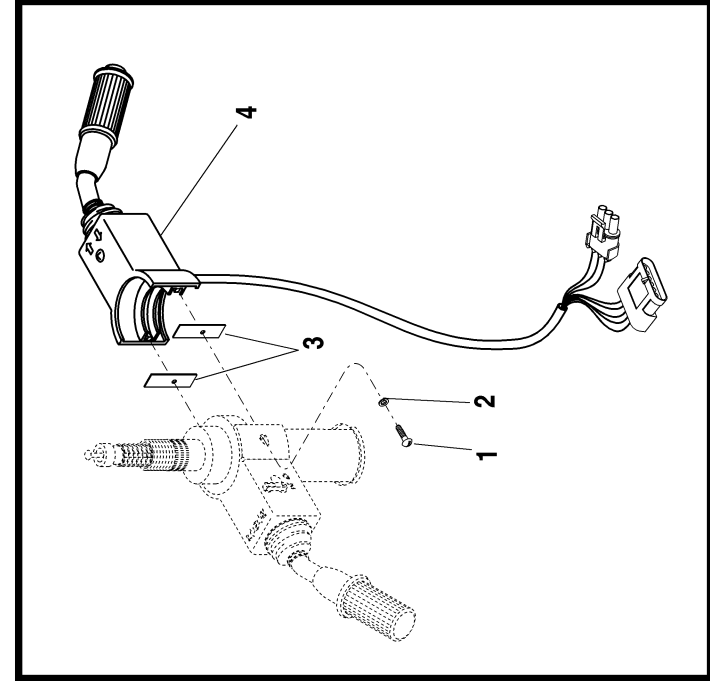


ITEM	PART NO.	QTY.	DESCRIPTION	ITEM	PART NO.	QTY.	DESCRIPTION
1	7150699	1	Roadlight Assembly, <u>Left Front</u> (Includes Items 3 and 5)	23	7150687	2	Worklight Assembly (See "B" for Breakdown) (Includes Items 24 thru 26)
2	7150716	1	Roadlight Assembly, <u>Right Front</u> (Includes Items 4 and 6)	24	8036218	1	Bulb, Worklight - Halogen
3	7150685	1	Mount, <u>Left Front</u> Headlight	25	8036217	1	Lens, Worklight
4	7150717	1	Mount, <u>Right Front</u> Headlight	26	8036216	4	Screw, Worklight Lens
5	7150702	1	Headlight Assembly, <u>Left Front</u> (See "A" for Breakdown) (Includes Items 7 Thru 12)	27	8305626	1	Nut, Hex Lock, 5/16"-18
6	7150703	1	Headlight Assembly, <u>Right Front</u> (See "A" for Breakdown) (Includes Items 7 thru 12)	28	8303745	1	HHCS, 5/16-18 x 5/8"
7	8036209	1	Lens, Amber <u>Left</u> Headlight (Not Shown)	29	7150688	1	Boom Worklight Assembly (Includes Items 30 thru 34)
8	8036210	1	Lens, Amber <u>Right</u> Headlight (Shown)	30	7150674	1	Mount, Worklight
9	8036212	1	Lens, Headlight (Left or Right)	31	8305626	1	Nut, Hex Lock 5/16"-18
10	8036216	6	Screw, Headlight Lens	32	8307106	1	Washer, Flat 5/16"
11	8036213	1	Bulb, Headlight	33	8303745	1	HHCS, 5/16-18 x 5/8"
12	8036214	1	Bulb, Blinker	34	7150687	1	Worklight (See "B" for Breakdown) (Includes Items 35 thru 37)
13	8036215	1	Wiring Harness (Includes 6-way Connector)	35	8036218	1	Bulb, Worklight - Halogen
14	7150679	1	Roadlight, Assembly <u>Left Rear</u> (Includes Items 15, 17 one of Item 23 and Items 27, 28)	36	8036217	1	Lens, Worklight
15	7150681	1	Mount, <u>Left Rear</u> Tail Light	37	8036216	4	Screw, Worklight Lens
16	7150680	1	Mount, <u>Right Rear</u> Tail Light	38	7139492	1	Tapping Block, Boom Worklight
17	7150690	2	Tail Light Assembly (See "C" for Breakdown) (Includes Items 18 thru 22)	39	8307204	12	Washer Plain, 3/8"
18	8036219	1	Lens, Tail Light	40	8303771	2	HHCS, 3/8-16 x 2.25"
19	N.S.S.	4	Screw, Tail Light Lens	41	8303581	8	HHCS 3/8-16 x 3/4"
20	8036222	1	Bulb, Tail & Brake Light	42	8307005	14	Washer, Lock 3/8"
21	8036221	1	Bulb, Blinker	43	8303622	4	HHCS, 3/8" x 2"
22	8036220	1	Wiring Harness (Includes 4-way Connector)	44	8305645	4	Nut, Hex Lock Elastic 3/8"-16
				45	8584018	2	Mount, Tie
				46	8584001	32	Tie, Plastic, 6.7"
				47	7139497	1	Harness, Roadlights
				48	7150730	1	Harness, Boom Worklight
							N.S.S. = Not Sold Separately

S/N 14409-

ROADLIGHTS ASSEMBLY

10.4.1



ITEM PART NO. QTY. DESCRIPTION

1	8310559	2	MS, M5 x 25mm
2	8310078	2	Washer, Lock, M5
3	7131961	4	Spacer, Transmission Shifter
4	7150742	1	Lever, Turn Signal
5	8223060	1	Switch, Hazard Lights
6	8223059	1	Switch, Worklight
7	8305002	5	Nut-Hex, #10-24 NC
8	8307003	5	Washer, Lock #10
9	8310362	5	BHCS, #10-24 x 1/2"
10	8307111	3	Washer, Flat #10 SAE
11	8500203	1	Flasher, Hazard Lights
12	8225119	3	Relay, Sealed
13	8303982	2	Screw, Hx., Hd., .250 x .75"
14	7139615	1	Bracket, Relay
15	8229247	1	Fuse, 25 Amp (White)
16	8220357	1	Cap, Clear Ves-Pac
17	8229030	1	Board, Diode 1 Amp
18	7139662	1	Jumper Wire, Acc. Power

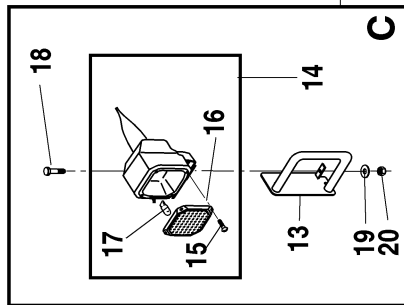
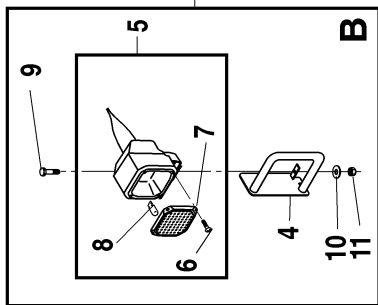
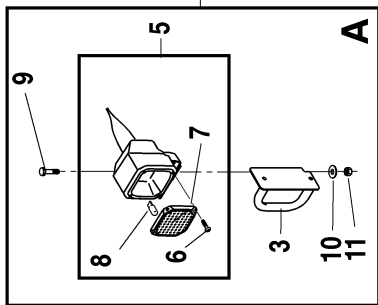
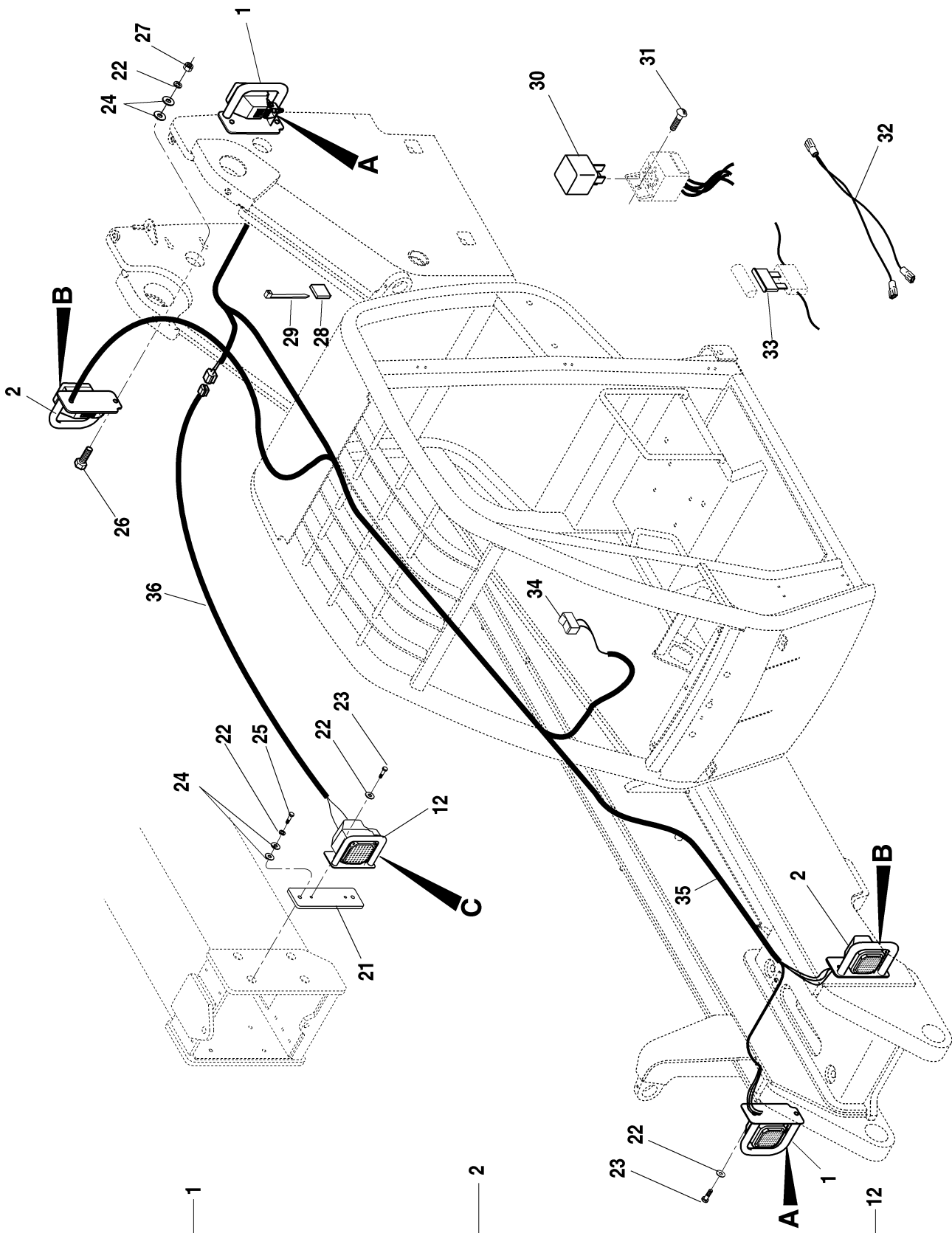
Origin
05/01

4270H
4270L
4290H
4290L

S/N 14409-

ROADLIGHTS - SWITCHES AND FUSES

10.5.1



ITEM PART NO. QTY. DESCRIPTION

1	7150673	2	Frame Worklight Assembly <u>Right Front</u> and <u>Left Rear</u> (See "A" for Breakdown) (Includes Items 3, 5 and 9 thru 11)	25	8303771	2	HHCS, 3/8-16 x 2.25"
				26	8310376	4	HHCS, 3/8-16 x 1.875"
				27	8305645	4	Nut, Hex Lock Elastic 3/8-16
				28	8584018	9	Mount, Tie
2	7150688	2	Frame Work Light Assembly <u>Left Front</u> and <u>Right Rear</u> (See "A" for Breakdown) (Includes Items 4, 5 and 9 thru 11)	29	8584001	19	Tie, Plastic, 6.7"
				30	8225119	1	Relay, Sealed
3	7150675	1	Mount, <u>Right Front</u> and <u>Left Rear</u> Worklight	31	8303982	1	Screw Hex. Hd. Washer Face 1/4-20 x 3/4"
4	7150674	1	Mount, <u>Left Front</u> and <u>Right Rear</u> Worklight	32	7139662	1	Jumper Wire, ACC Power
5	7150687	1	Worklight Assembly (See "A" or "B" for Breakdown) (Includes Items 6 thru 8)	33	8229247	1	Fuse, 25 Amp (White)
6	8036216	4	Screw, Worklight Lens	34	8223059	1	Switch, Worklight
7	8036217	1	Lens, Worklight	35	7139496	1	Harness, Worklight
8	8036218	1	Bulb, Worklight - Halogen	36	7150730	1	Harness, Boom Worklight
9	8303745	2	HHCS, 5/16-18 x 5/8"				
10	8307106	2	Washer, Flat 5/16"				
11	8305626	2	Nut, Hex Lock 5/16"-18				
12	7150687	1	Boom Worklight Assembly (See "C" for Breakdown) (Includes Items 13, 14 and 18 thru 20)				
13	7150674	1	Mount, Boom Worklight				
14	7150687	1	Worklight Assembly (See "C" for Breakdown) (Includes Items 15 thru 17)				
15	8036216	4	Screw, Worklight Lens				
16	8036217	1	Lens, Worklight				
17	8036218	1	Bulb, Worklight - Halogen				
18	8303745	1	HHCS, 5/16-18 x 5/8"				
19	8307106	1	Washer, Flat 5/16"				
20	8305626	1	Nut, Hex Lock 5/16"-18				
21	7139492	1	Tapping Block, Boom Worklight				
22	8307005	10	Washer, Lock 3/8"				
23	8303681	6	HHCS, 3/8-16 x 3/4"				
24	8307204	12	Washer Plain, 3/8"				

Origin
05/01

4270H
4270L
4290H
4290L

S/N 14409-

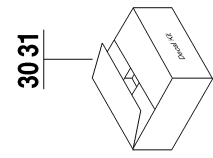
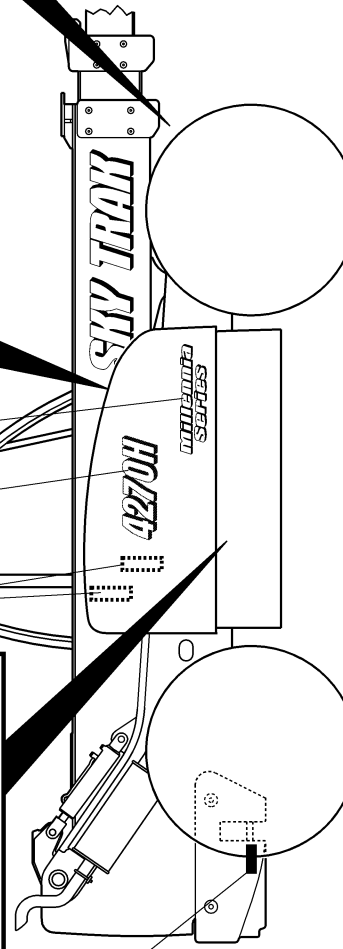
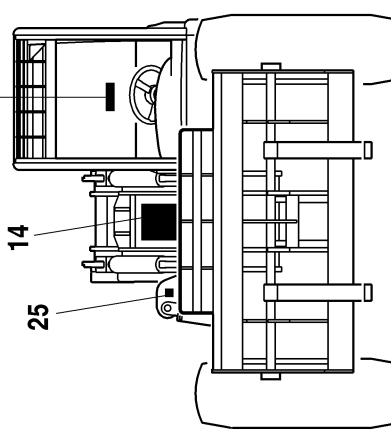
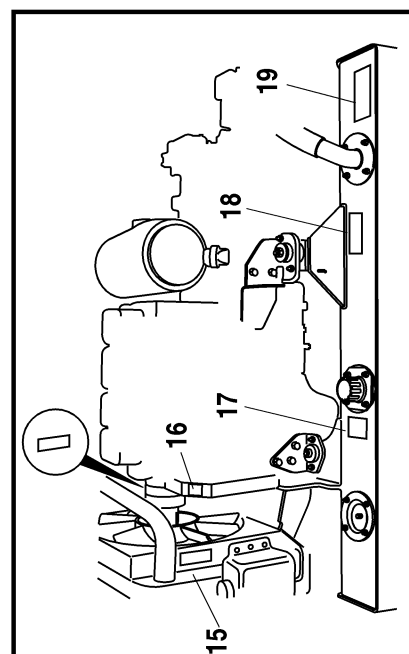
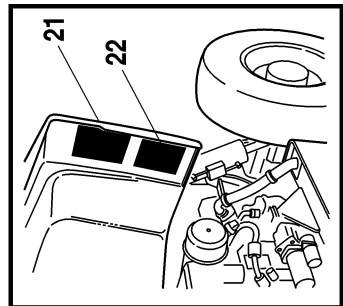
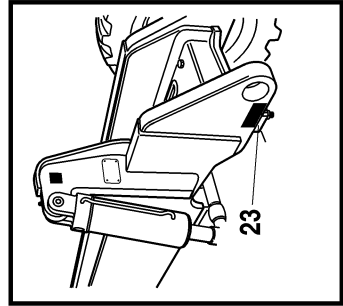
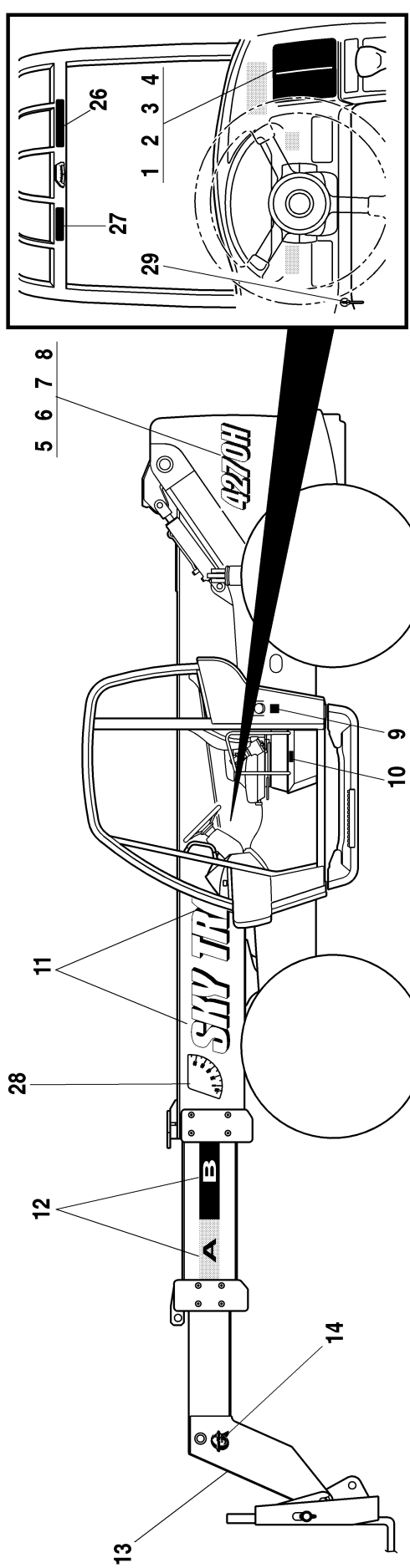
WORKLIGHTS ASSEMBLY

10.6.1

TABLE OF CONTENTS

Section 11 — Decals and Common Supplies

Decals.....	11.1.1
Paint and Common Supplies.....	11.2.1



ITEM PART NO. QTY. DESCRIPTION ITEM PART NO. QTY. DESCRIPTION

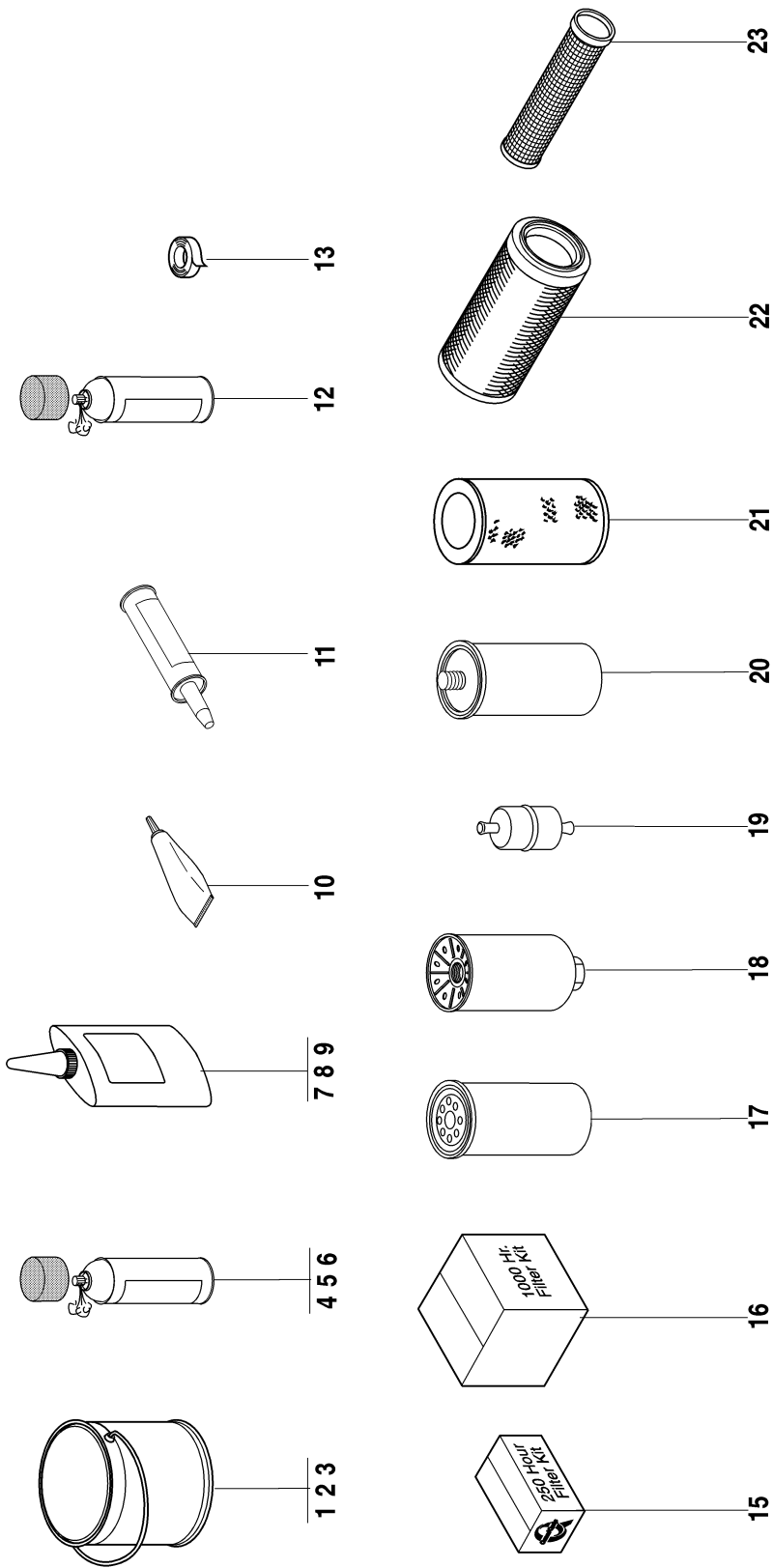
1	7139634	1	Booklet, Load Chart - 4270L		
2	7139635	1	Booklet, Load Chart - 4270H		
3	7139636	1	Booklet, Load Chart - 4290L		
4	7139637	1	Booklet, Load Chart - 4290H		
5	4110241	2	Decal, 4270L		
6	4110240	2	Decal, 4270H		
7	4110239	2	Decal, 4290L		
8	4110238	2	Decal, 4290H		
9	4105171	1	Decal, Diesel Fuel Fill		
10	4109091	1	Decal, Oper. Manual Location		
11	4110131	2	Decal, SKY TRAK 57"		
12	4110130	1	Decal, Boom Extend Stripes		
13	4109041	1	Decal, Carrying Personnel		
14	4110133	2	Decal, OmniQuip Textron Logo 5"		
15	4110184	2	Decal, Fan Warning		
16	4107901	1	Decal, Engine Idle Setting		
17	4100181	1	Decal, Hydraulic Oil Fill		
18	4108302	1	Decal, Hydraulic Oil Level		
19	4110172	1	Decal, Battery Hazard		
20	4110132	1	Decal, Millennia Series 27"		
21	4110116	1	Decal, Lubrication Chart		
22	4110117	1	Decal, Maintenance Chart		
23	4110226	4	Decal, Lift Point/Tie Down		
24	4109791	1	Decal, Emergency Exit (Enclosed Cab Only)		
25	4108181	1	Decal, Made in USA		
26	4110137	1	Decal, Tip Over Hazard		
27	4108991	1	Decal, Electrocutation Hazard		
28	4105262	1	Decal, Boom Angle Indicator		
29	4108201	1	Ring, Key		
KITS					
30	8024013		Decal Kit, 4270L 4270H (Includes Items 5, 6 and 9 thru 28)		
31	8024014	1	Decal Kit, 4290L 4290H (Includes Items 7, 8 and 9 thru 28)		

Origin
05/01

4270H
4270L
4290H
4290L

S/N 14409-

DECALS 11.1.1



ITEM PART NO. QTY. DESCRIPTION

1	8528074	1	Paint, Orange, Acrylic Enamel, Gallon (Service Repaint)
2	8528080	1	Paint, Black, Acrylic Enamel, Gallon (Service Repaint)
3	8528105	1	Paint, Dark Grey, Acrylic Enamel, Gallon (Service Repaint)
4	8528071	1	Paint, Orange, Acrylic Enamel, Can (16 oz. spray - touch-up)
5	8528101	1	Paint, Black, Acrylic Enamel, Can (16 oz. spray - touch-up)
6	8528106	1	Paint, Off White, Acrylic Enamel, Can (16 oz. spray - touch -up)
7	8526007	1	Thread Locker Loctite #242, 250 ml. (Bottle)
8	8526011	1	Thread Locker Loctite #271, 250 ml. (Bottle)
9	8526052	1	Thread Locker Loctite #277, 250 ml. (Bottle)
10	8522012	1	Lube, Anti-Seize
11	8035523	1	Sealant, Urethane, 10 Oz Cartridge
12	8526042	1	Adhesive, Spray
13	8526053	1	Tape, Thread Sealant
14	8526056	1	Gasket Eliminator, Loctite #518
15	7138288	1	Filter Kit, 250 Hour (Includes Items 17 and 18)
16	7139238	1	Filter Kit, 1000 Hour (Includes Items 17 thru 23)
17	8320262	1	Filter, Engine Oil
18	8320270	1	Fuel Filter, Primary
19	8274022	1	Fuel Filter, Inline Strainer
20	1319726	1	Filter, Transmission Oil
21	8320265	1	Filter, Hydraulic Oil
22	8035098	1	Air Filter, Primary
23	8035099	1	Air Filter, Safety Element

Origin
05/01

4270H
4270L
4290H
4290L

S/N 14409-

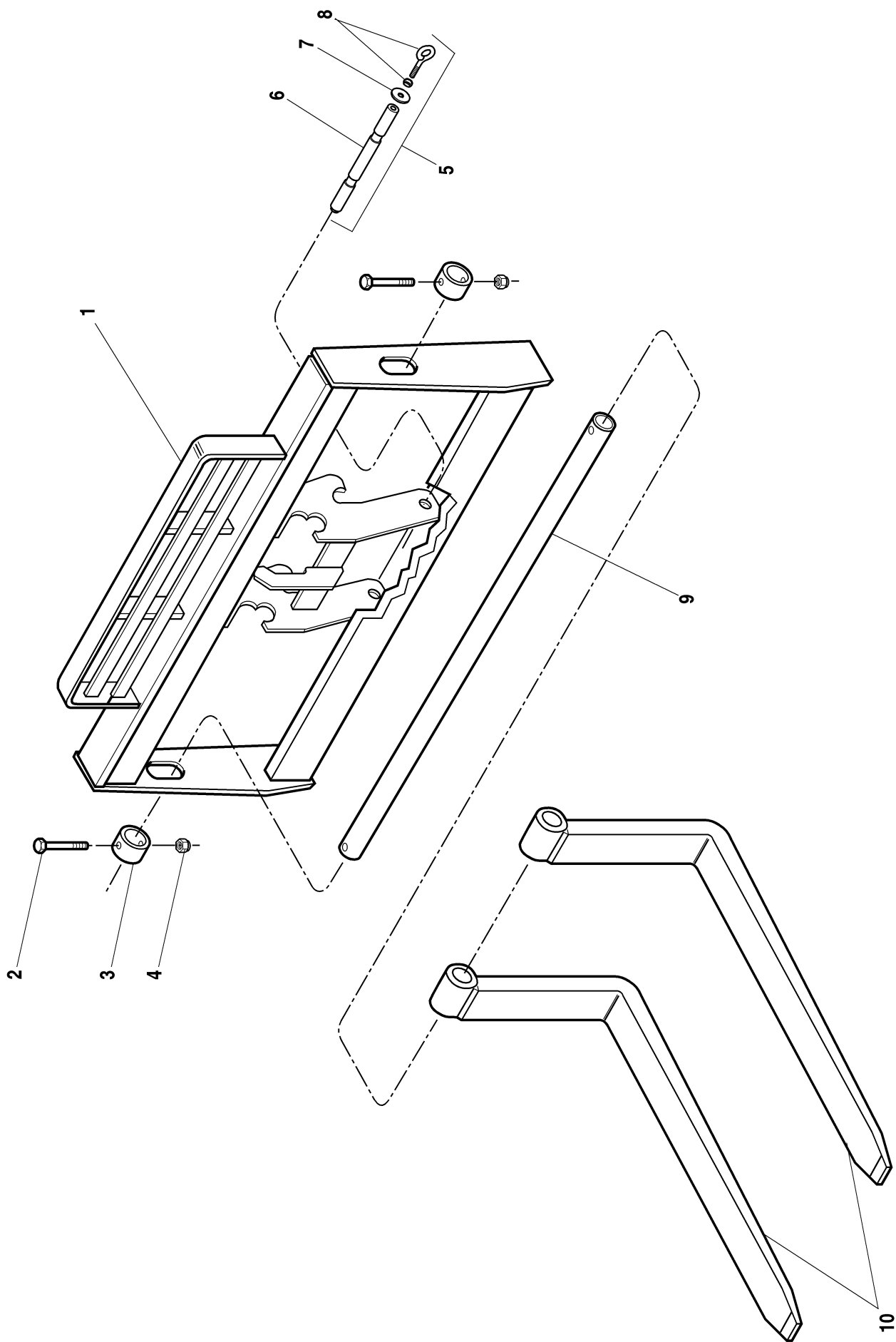
FILTERS PAINT AND COMMON SUPPLIES

11.2.1

TABLE OF CONTENTS

Section 12 — Attachments

48", 60" & 72" Standard Carriage & Forks.....	12.1.1
Swing Carriage Assembly	12.2.1
Swing Carriage Cylinder	12.3.1
Side Tilt Carriage Assembly	12.4.1
Side Tilt Carriage Cylinder	12.5.1
12 Ft. Truss Boom.....	12.6.1
Sheet Material Handler Assembly.....	12.7.1
Utility Bucket.....	12.8.1



ITEM PART NO. QTY. DESCRIPTION

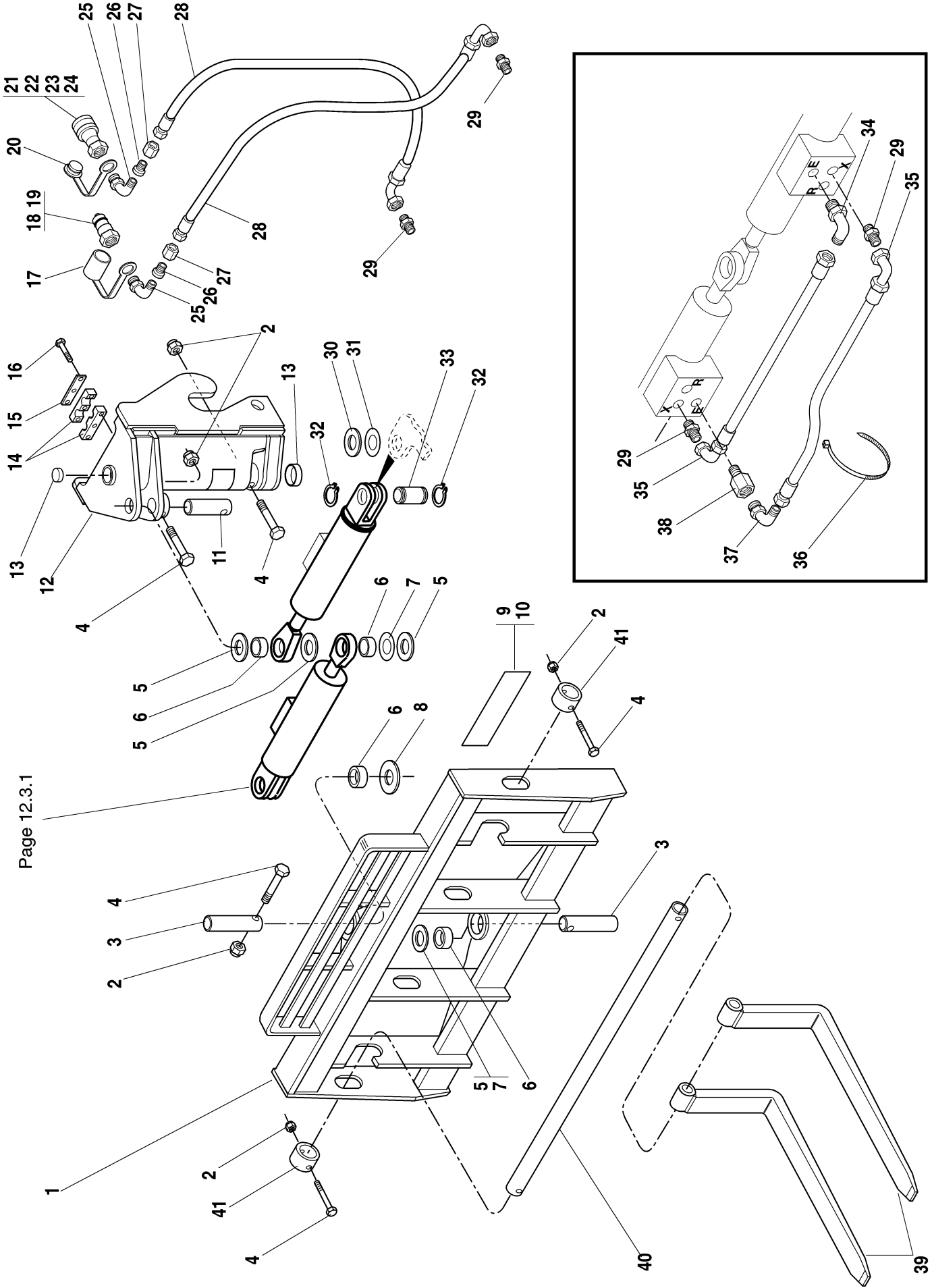
1	7083054	1	Carriage, 48" (Standard)
	7086304	1	Carriage, 60" (Optional)
	7090814	1	Carriage, 72" (Optional)
2	8303634	2	HHCS, 5/8-11 x 4"
3	7086471	2	Collar
4	8305643	2	Nut, Hex Lock 5/8-11
5	7118892	1	Pin, Lock (Includes Items 6 thru 8)
6	7118882	1	Pin
7	8310276	1	Washer
8	8310266	1	Bolt, Eye w/Nut
9	7128772	1	Shaft, 48"
	7128792	1	Shaft, 60"
	7128802	1	Shaft, 72"
10	7097523	2	Fork, Pallet 48" x 4" x 2" (4,000 lbs Rating)
			4270 Only
	7097543	2	Fork, Pallet 48" x 4" x 2.25" (5,000 lbs Rating)
			4290 Only
	7097533	2	Fork, Lumber (Not Shown)
	7085073	6	Fork, Block (Not Shown)

Origin
05/01

4270H
4270L
4290H
4290L

S/N 14409-

48" , 60" & 72" STANDARD CARRIAGE & FORKS 12.1.1



ITEM	PART NO.	QTY.	DESCRIPTION	ITEM	PART NO.	QTY.	DESCRIPTION
1	7111994	1	Carriage, 52"	34	8770012	1	Elbow, 90° SAE 6-4 - male JIC 37° x male str. thd.
2	7110694	1	Carriage, 72"	35	6604662	2	Hose Assembly
3	8305643	5	Nut, Hex Lock 5/8-11	36	8584001	A/R	Tie Wrap
4	7110702	2	Pin, Carriage Pivot	37	8760311	1	Elbow, 90° SAE 6 - male JIC 37°
5	8303634	5	HHCS, 5/8-11 x 4"	38	8770016	1	Reducer, SAE 4-6
6	8307918	A/R	Shim, 2" I.D. x 10 Ga.	39	7097523	2	Fork, Pallet 48" x 4" x 2" (4,000 lbs Rating)
7	8065062	4	Bearing, Self Lube				4270 Only
8	8307904	A/R	Shim, 2" I.D. x 18 Ga.				Fork, Pallet 48" x 4" x 2.25" (5,000 lbs Rating)
9	7062922	1	Bearing, Thrust				4290 Only
10	4107702	1	Decal, Danger - Tip Over Hazard				Fork, Lumber (Not Shown)
11	4107712	1	Decal, Danger - No Truss Boom				Fork, Blocking (Not Shown)
12	7110712	1	Pin, Cylinder Pivot (Rod End)	40	7128782	1	Shaft, Fork Pivot 52"
13	7110494	1	Base, Pivot				Shaft, Fork Pivot 72"
14	8580315	2	Plug, Trim 2-1/2" Dia.	41	7086471	2	Hub, Lock
15	8769132	2	Clamp, Half				
16	6608621	1	Cover, Clamp				
17	8303715	3	HHCS, 5/16-18 x 1-1/2"				
18	8420053	1	Cap, Dust #8				
19	8430006	1	Quick Disconnect, Male, SAE 8-8ORB - female internal (Includes Item 19)				
20	8640029	1	Seal, Nose (Not Shown)				
21	8420055	1	Plug, Dust #8				
22	8430005	1	Quick Disconnect, Female, SAE 8-8ORB - female internal (Includes Items 22, thru 24)				
23	8640029	1	Seal, Nose (Not Shown)				
24	8640028	1	Seal, Coupler Body (Not Shown)				
25	8640032	1	Back-Up Ring, Coupler Body Seal (Not Shown)				
26	8760313	2	Elbow, 90° SAE 6-8 - male JIC 37° x male str				
27	8760475	2	Reducer, Tube End, SAE 6-4 - JIC 37°				
28	8760409	2	Nut, SAE 6 - JIC 37°				
29	6611752	2	Hose Assembly				
30	8760113	4	Connector, Straight, SAE 4 - male JIC 37° x male str.				
31	8310161	A/R	Shim, 1-1/2" I.D. x 10 Ga.				
32	8310160	A/R	Shim, 1-1/2" I.D. x 18 Ga.				
33	8642207	4	Ring, Retaining				
34	7110722	2	Pin, Cylinder Pivot (Base End)				

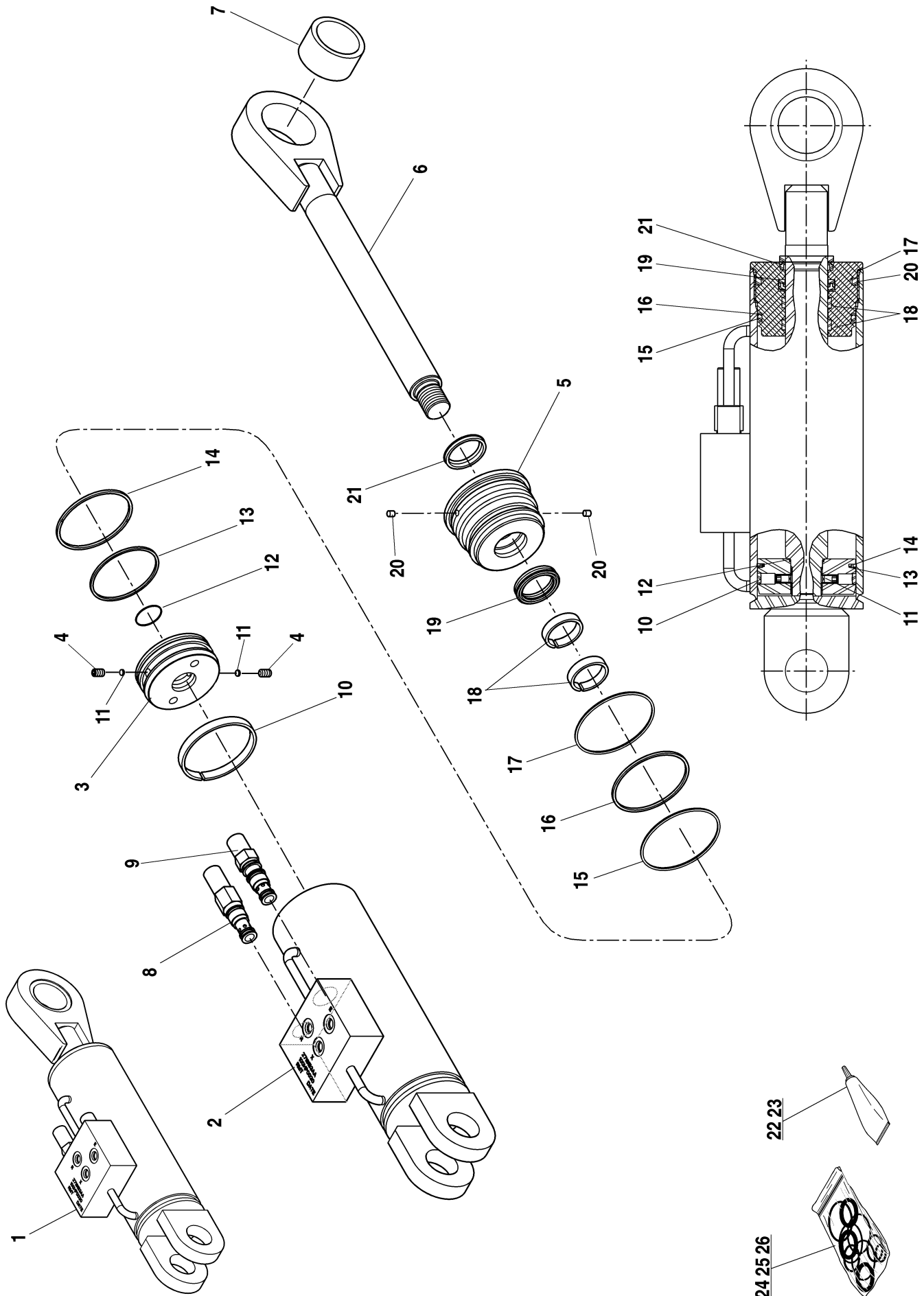
Origin
05/01

S/N 14409-

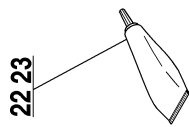
4270H
4270L
4290H
4290L

SWING CARRIAGE ASSEMBLY

12.2.1



24 25 26



ITEM PART NO. QTY. DESCRIPTION

1	2716153	1	Cylinder, Swing Carriage (Includes Items 2 thru 21)
2	N.S.S	1	Tube, Weldment (Order Item 1)
3	8035863	1	Piston
4	8035536	1	Screw, Set 5/16-18 UNC x .5"
5	8035862	1	Gland, Head
6	8035861	1	Rod, Weldment
7	8065062	1	Bearing, Duralon Journal
8	8902842	1	Valve, Relief
9	8033786	1	Valve, Counterbalance
10	See Kits	1	Wearband, Precision
11	See Kits	2	Locking Insert
12	See Kits	1	O-Ring
13	See Kits	1	Ring, Square
14	See Kits	1	Seal, Square Section TFE Piston
15	See Kits	1	O-Ring
16	See Kits	1	Ring, Back-Up
17	See Kits	1	O-Ring
18	See Kits	2	Wearband, Precision
19	See Kits	1	Z-Seal, Deep
20	See Kits	2	Locking Insert
21	See Kits	1	Wiper, Hd. Rod, Sealed
22	8526011	A/R	Threadlocker, Loctite #271 (250cc)
23	8526036	A/R	Threadlocker, Loctite #242 (.02 fl. oz.)

N.S.S. = Not Sold Separately

KITS

24	8035830	1	Seal Kit (Includes Items 10 thru 21)
25	8025655	1	Seal Kit, For Item 9 Counterbalance Valve
26	8033790	1	Seal Kit, For Item 8 Relief Valve

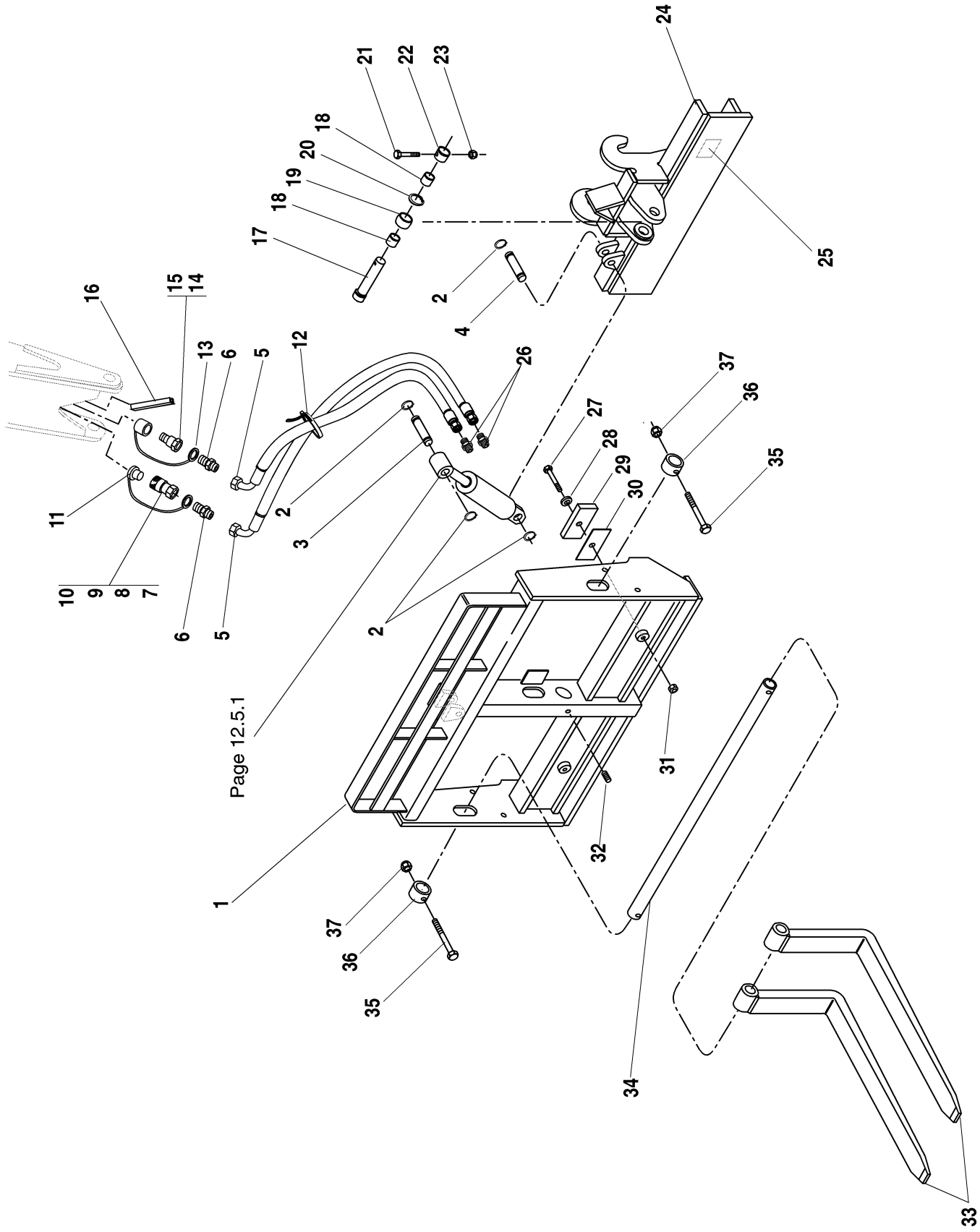
Origin
05/01

4270H
4270L
4290H
4290L

S/N 14409-

SWING CARRIAGE CYLINDER

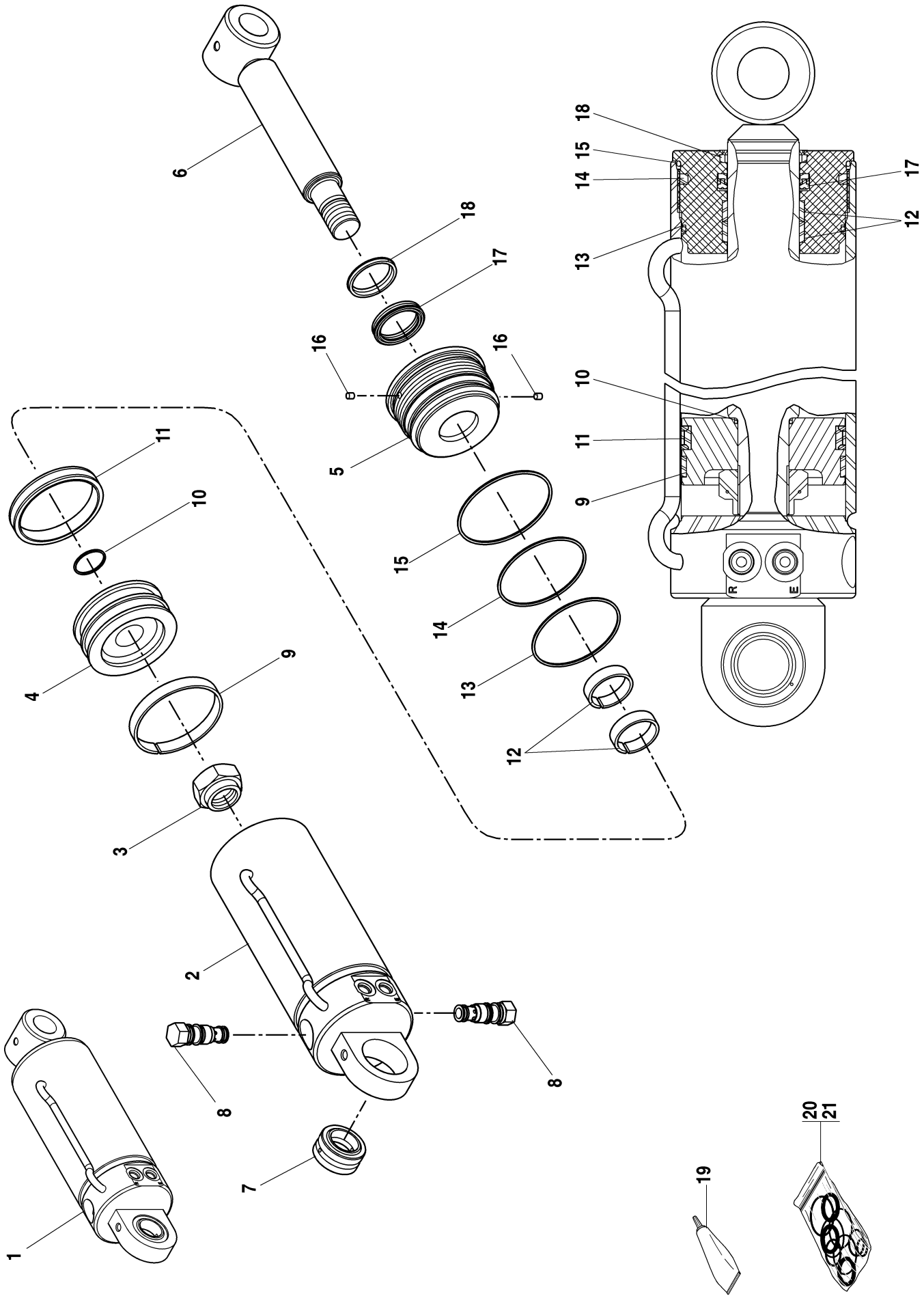
12.3.1



Page 12.5.1

ITEM	PART NO.	QTY.	DESCRIPTION	ITEM	PART NO.	QTY.	DESCRIPTION
1	7117244	1	Carriage, Side Tilt, 48"	33	7097523	2	Fork, Pallet 48" x 4" x 2" (4,000 lbs Rating)
	7117254	1	Carriage, Side Tilt, 60"				4270 Only
	7117264	1	Carriage, Side Tilt, 72"		7097543	2	Fork, Pallet 48" x 4" x 2.25" (5,000 lbs Rating)
2	8642235	4	Ring, Snap				4290 Only
3	7077511	1	Pin, Cyl. Rod		7097533	2	Fork, Lumber (Not Shown)
4	7077501	1	Pin, Cyl. Base		7085073	6	Fork, Blocking (Not Shown)
5	2711992	2	Hose Assembly	34	7128772	1	Shaft, Fork Pivot 48"
6	8760110	2	Connector, Straight, SAE 6-8		7128792	1	Shaft, Fork Pivot 60"
7	8430005	1	Quick Disconnect, Female, SAE 8-8ORB - female internal (Includes Items 8 thru 10)		7128802	1	Shaft, Fork Pivot 72"
8	8640029	1	Seal, Nose (Not Shown)		8303634	2	HHCS, 5/8-11 x 4"
9	8640028	1	Seal, Coupler Body (Not Shown)		7086471	2	Hub, Lock
10	8640032	1	Back-Up Ring, Coupler Body Seal (Not Shown)		8305643	2	Nut, Hex Lock 5/8-11
11	8420055	1	Plug, Dust #8				
12	8584001	A/R	Tie Wrap				
13	8420053	1	Cap, Dust #8				
14	8430006	1	Quick Disconnect, Male, SAE 8-8ORB - female internal (Includes Item 15)				
15	8640029	1	Seal, Nose (Not Shown)				
16	7125741	1	Molding				
17	7085411	1	Pin, Pivot				
18	7077481	2	Spacer				
19	8065634	1	Bushing, Self Align				
20	8642001	1	Ring, Snap				
21	8303770	1	HHCS, 3/8-16 x 2-3/4"				
22	7085501	1	Collar, Pin Locking				
23	8305645	1	Locknut, 3/8-16 ESNA				
24	7117204	1	Base, Pivot				
25	7119341	1	Plate, Capacity				
26	8760117	2	Connector, Straight, SAE 6				
27	8303739	2	HHCS, 5/16-18 x 1-1/4"				
28	8307203	2	Washer, Flat Heavy				
29	7065482	2	Pad, Wear				
30	7070191	A/R	Shim				
31	8305626	2	Nut, Hex Lock 5/16-18				
32	8541433	1	Plug, Pipe, Skt. Hd. - 1/8" NPTF				

S/N 14409-



ITEM PART NO. QTY. DESCRIPTION

1	2716143	1	Cylinder, Side Tilt Carriage (Includes Items 2 thru 18)
2	NSS	1	Tube, Weldment (Order Item 1)
3	8035865	1	Locknut
4	8035868	1	Piston
5	8035867	1	Gland, Head
6	8035866	1	Rod, Weldment
7	8065634	1	Bearing, Spherical
8	8902511	2	Valve, Check
9	See Kits	1	Wearband, Precision
10	See Kits	1	O-Ring
11	See Kits		T-Seal, Capped
12	See Kits	2	Wearband, Precision
13	See Kits	1	O-Ring
14	See Kits	1	Ring, Back-Up
15	See Kits	1	O-Ring
16	See Kits	2	Locking Insert
17	See Kits	1	Z-Seal, Deep
18	See Kits	1	Wiper, Hd. Rod - Sealed O.D.
19	8526011	A/R	Threadlocker, Loctite #271 (250cc)

N.S.S. = Not Sold Separately

KITS

20	8035831	1	Seal Kit (Includes Items 9 thru 18)
21	8205655	2	Seal Kit, For Item 8 Check Valve

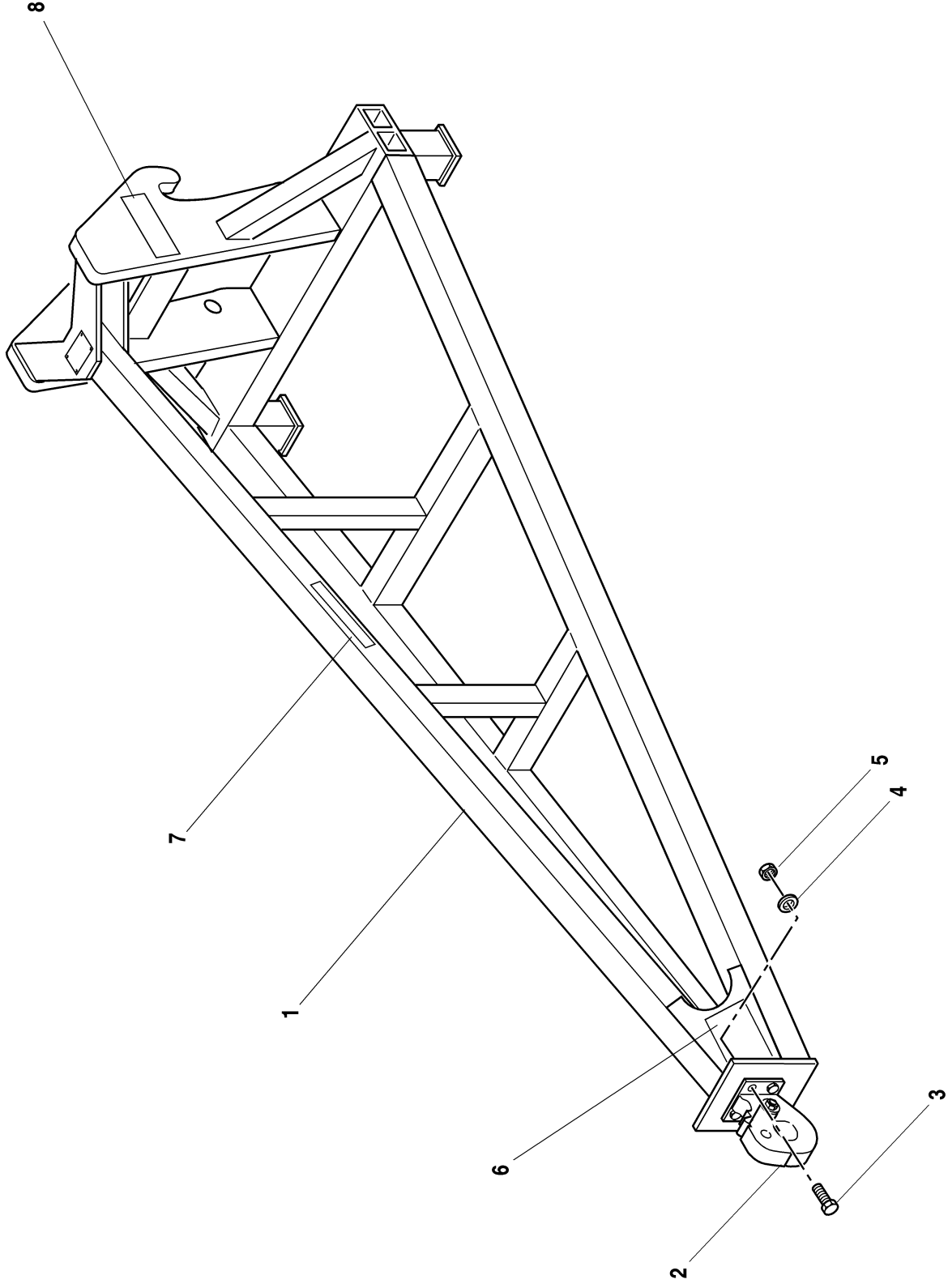
Origin
05/01

4270H
4270L
4290H
4290L

S/N 14409-

SIDE TILT CARRIAGE CYLINDER

12.5.1



ITEM PART NO. QTY. DESCRIPTION

1	7113024	1	12 ft. Truss Boom (Includes Items 2 thru 8)
2	8382017	1	Hook, Pintle
3	8310195	4	HHCS, 1/2-13 x 1-3/4"
4	8307112	4	Washer, Flat SAE 1/2"
5	8305644	4	Nut, Hex Lock Elastic, 1/2"-13
6	4107822	2	Decal, Swing Load
7	4107832	2	Decal, Length/Capacity
8	4107182	2	Decal, Name

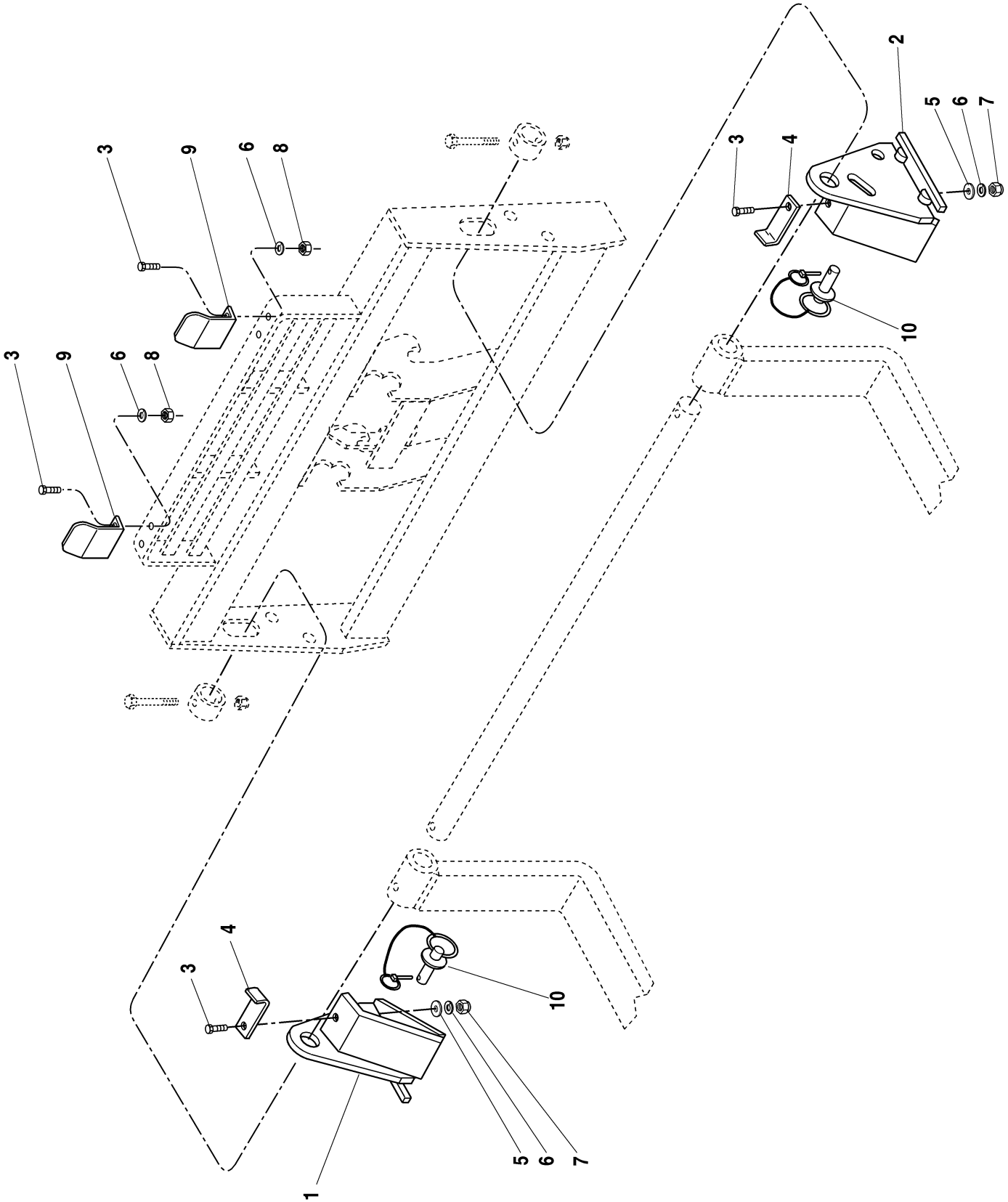
Origin
05/01

4270H
4270L
4290H
4290L

S/N 14409-

12 FT. TRUSS BOOM

12.6.1



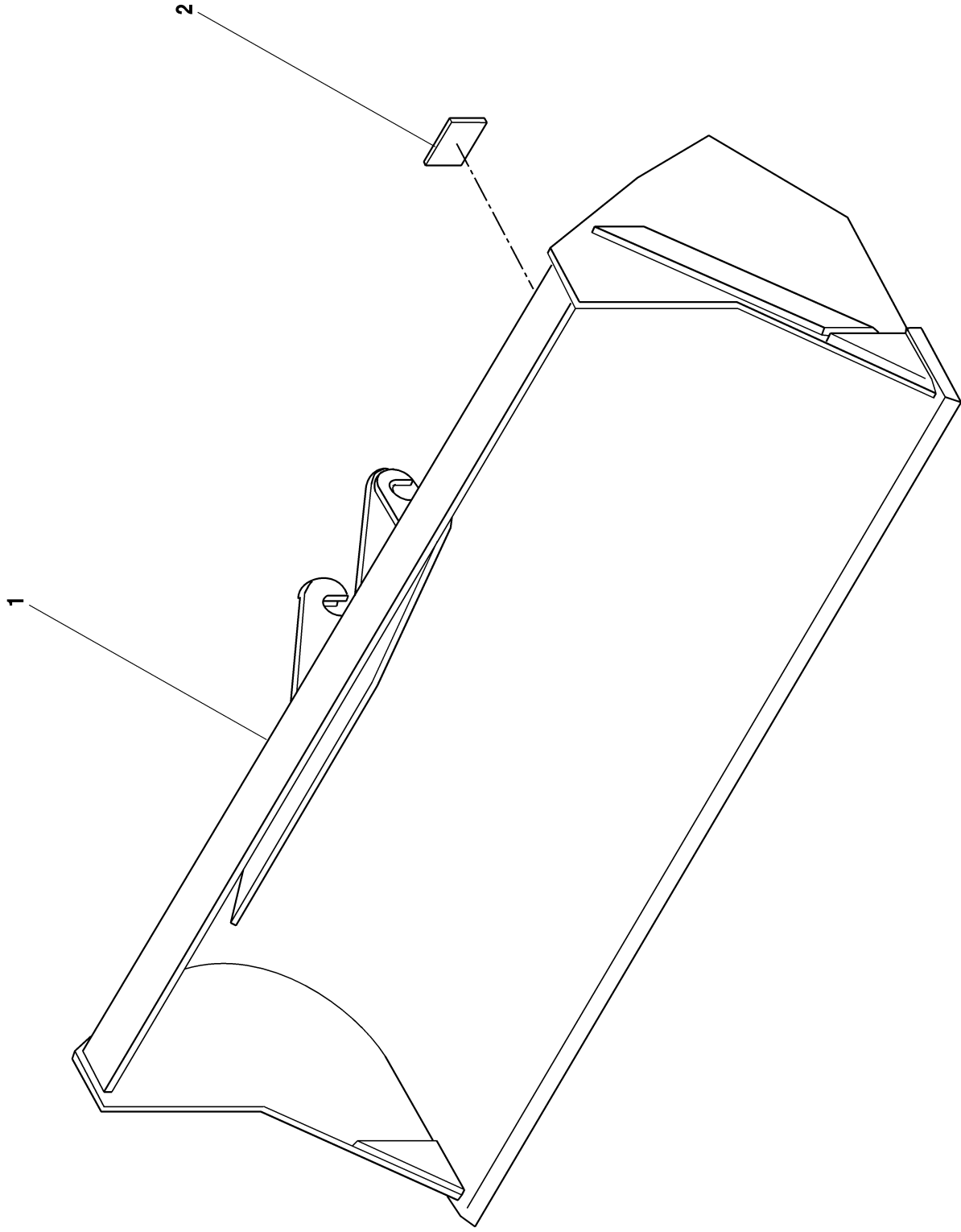
ITEM PART NO. QTY. DESCRIPTION

1	7112533	1	Support, Fork, Right Side
2	7112523	1	Support, Fork, Left Side
3	8303626	6	HHCS, 1/2"-13 x 1-1/2"
4	7114941	2	Bar, Lock
5	8307112	2	Washer, Flat 1/2" LT.
6	8307007	6	Washer, Lock 1/2"
7	8305644	2	Nut, Hex Lock Elastic 1/2"-13
8	8305012	2	Nut, Hex 1/2"-13
9	7112642	2	Extension, Backrest, Top
10	8301456	2	Pin, Hitch

Origin
05/01

S/N 14409-

4270H
4270L
4290H
4290L



ITEM PART NO. QTY. DESCRIPTION

1	7110744	1	Bucket, Utility, 1-1/4 cu. yd. (Includes Item 2)
2	4106561	1	Plate, Capacity

Origin
05/01



S/N 14409-

4270H
4270L
4290H
4290L

UTILITY BUCKET

12.8.1

Part Number	Page(s)	Part Number	Page(s)	Part Number	Page(s)	Part Number	Page(s)	Part Number	Page(s)	Part Number	Page(s)
107317031.25.1	13193531.10.1	13193951.10.1	13194591.15.1	13195221.5.1, 1.13.1		
10731709	1.34.1, 1.35.1, 1.36.1	13193541.10.1	13193961.10.1	13194601.15.1	13195231.5.1, 1.13.1		
107317321.25.1	13193551.10.1	13193971.10.1	13194611.15.1	13195241.5.1, 1.13.1		
107317441.25.1	13193561.10.1	13193981.10.1	13194621.7.1	13195251.5.1, 1.13.1		
10731845	1.27.1, 1.28.1, 1.30.1	13193571.10.1	13193991.10.1	13194631.15.1	13195261.5.1, 1.13.1		
107319131.25.1	13193581.10.1	13194001.10.1	13194641.7.1, 1.15.1	13195271.5.1, 1.13.1		
107319491.5.1, 1.13.1	13193591.10.1	13194011.10.1	13194711.7.1, 1.15.1	13195291.5.1, 1.13.1		
107319591.33.1, 1.40.1	13193601.10.1	13194021.10.1	13194721.7.1, 1.15.1	13195301.5.1, 1.13.1		
107320291.35.1	13193611.10.1	13194061.10.1	13194751.7.1, 1.15.1	13195311.5.1, 1.13.1		
107320631.35.1, 1.36.1	13193621.10.1	13194121.11.1	13194761.7.1, 1.15.1	13195321.5.1, 1.13.1		
107320641.35.1	13193631.10.1	13194151.3.1	13194771.7.1, 1.15.1	13195331.5.1, 1.13.1		
107320711.34.1	13193641.10.1	13194231.4.1, 1.12.1	13194781.1.1, 1.1.2, 1.7.1, 1.15.1	13195341.5.1, 1.13.1		
107320721.34.1	13193651.10.1	13194251.4.1, 1.5.1, 1.12.1, 1.13.1	13194831.16.1	13195351.5.1, 1.13.1		
108391561.33.1	13193661.10.1	13194271.4.1, 1.12.1	13194841.16.1	13195361.5.1, 1.13.1		
11010561.7.1, 1.15.1	13193671.10.1	13194291.4.1, 1.12.1	13194851.16.1	13195371.5.1, 1.13.1		
13185391.13.1	13193691.10.1	13194311.5.1, 1.13.1	13194911.5.1, 1.13.1	13195381.5.1, 1.13.1		
13192101.7.1, 1.15.1	13193701.10.1	13194321.4.1, 1.5.1, 1.8.1, 1.12.1, 1.13.1, 1.16.1	13194941.34.1	13195391.5.1, 1.13.1		
13192291.25.1	13193711.10.1	13194331.4.1, 1.12.1	13194961.5.1, 1.13.1	13195401.5.1, 1.13.1		
13192311.25.1	13193721.10.1	13194341.4.1, 1.12.1	13194971.5.1, 1.13.1	13195411.5.1, 1.13.1		
13192361.25.1	13193731.10.1	13194361.4.1, 1.12.1	13194981.5.1, 1.13.1	13195421.5.1, 1.13.1		
13192581.25.1	13193741.10.1	13194381.4.1, 1.12.1	13194991.5.1, 1.13.1	13195431.5.1, 1.13.1		
13193331.10.1	13193751.10.1	13194391.12.1	13195001.5.1, 1.13.1, 1.16.1	13195461.5.1, 1.13.1		
13193341.10.1	13193761.10.1	13194401.4.1, 1.12.1	13195011.5.1, 1.13.1	13195571.25.1		
13193351.10.1	13193771.10.1	13194411.4.1, 1.12.1	13195021.5.1, 1.13.1	13195581.25.1		
13193361.10.1	13193781.10.1	13194441.4.1, 1.12.1	13195041.5.1, 1.13.1	13195591.25.1		
13193371.10.1	13193791.10.1	13194451.15.1	13195051.5.1, 1.13.1	13195631.25.1		
13193381.10.1	13193801.10.1	13194461.7.1, 1.15.1	13195061.4.1, 1.5.1, 1.8.1, 1.12.1, 1.13.1	13195641.7.1, 1.25.1		
13193391.10.1	13193811.10.1	13194471.15.1	13195101.5.1, 1.13.1	13195651.25.1, 1.34.1		
13193401.10.1	13193821.10.1	13194481.15.1	13195111.5.1, 1.13.1	13195661.25.1, 1.37.1		
13193411.10.1	13193831.10.1	13194491.15.1	13195121.5.1, 1.13.1	13195671.26.1		
13193421.10.1	13193841.10.1	13194501.15.1	13195131.5.1, 1.13.1	13195681.26.1		
13193431.10.1	13193851.10.1	13194511.15.1	13195141.5.1, 1.13.1	13195691.25.1, 1.26.1		
13193441.10.1	13193861.10.1	13194521.15.1	13195151.5.1, 1.13.1	13195701.26.1		
13193451.10.1	13193871.10.1	13194531.15.1	13195161.5.1, 1.13.1	13195711.26.1		
13193461.10.1	13193881.10.1	13194541.15.1	13195171.5.1, 1.13.1	13195721.26.1		
13193471.10.1	13193891.10.1	13194551.15.1	13195181.5.1, 1.13.1	13195731.26.1		
13193481.10.1	13193901.10.1	13194561.15.1	13195191.5.1, 1.13.1	13195741.25.1		
13193491.10.1	13193911.10.1	13194571.15.1	13195201.5.1, 1.13.1	13195761.25.1, 1.26.1		
13193501.10.1	13193921.10.1	13194581.15.1	13195211.5.1, 1.13.1	13195771.25.1		
13193511.10.1	13193931.10.1	13194591.15.1	13195221.5.1, 1.13.1	13195781.26.1		
13193521.10.1	13193941.10.1					13195801.26.1		

Part Number	Page(s)	Part Number	Page(s)	Part Number	Page(s)	Part Number	Page(s)	Part Number	Page(s)
1319581 1.26.1	1319603 1.27.1, 1.28.1, 1.29.1, 1.30.1, 1.31.1, 1.32.1	1319642 1.33.1	1319685 1.35.1	1319726 1.37.1, 1.12.1
1319582 1.26.1			1319643 1.33.1	1319686 1.35.1	1319757 1.25.1
1319583 1.26.1			1319644 1.33.1	1319687 1.35.1	1320748 1.40.1
1319584 1.26.1	1319604 1.27.1, 1.28.1, 1.29.1, 1.30.1, 1.31.1, 1.32.1	1319645 1.33.1	1319688 1.35.1	1320749 1.40.1
1319585 1.26.1, 1.33.1			1319646 1.33.1	1319689 1.35.1	1320750 1.40.1
1319586 1.26.1			1319647 1.33.1, 1.40.1	1319690 1.35.1	1320751 1.40.1
1319587 1.26.1	1319605 1.27.1, 1.28.1, 1.30.1	1319648 1.33.1, 1.40.1	1319691 1.35.1	1320752 1.40.1
1319588 1.26.1	1319606 1.29.1	1319649 1.33.1, 1.40.1	1319692 1.35.1	1320753 1.40.1
1319589 1.33.1	1319607 1.27.1	1319650 1.34.1	1319693 1.35.1	1320754 1.40.1
1319590 1.27.1	1319608 1.27.1	1319651 1.34.1	1319694 1.35.1	1320755 1.40.1
1319591 1.27.1	1319609 1.27.1, 1.28.1	1319652 1.34.1, 1.35.1	1319695 1.35.1	1320756 1.40.1
1319592 1.27.1, 1.28.1, 1.29.1, 1.30.1, 1.31.1, 1.32.1	1319612 1.27.1, 1.28.1, 1.29.1, 1.30.1, 1.31.1, 1.32.1	1319653 1.34.1	1319696 1.35.1, 1.36.1	1320757 1.40.1
				1319654 1.34.1	1319697 1.35.1	1320758 1.40.1
				1319655 1.34.1	1319698 1.35.1	1320759 1.40.1
1319593 1.27.1, 1.28.1, 1.29.1, 1.30.1, 1.31.1, 1.32.1	1319613 1.28.1	1319656 1.34.1	1319699 1.35.1	1320760 1.40.1
		1319614 1.28.1	1319657 1.34.1	1319700 1.35.1	1320761 1.40.1
		1319615 1.28.1, 1.30.1, 1.31.1	1319658 1.34.1	1319701 1.35.1	1320762 1.40.1
1319594 1.27.1, 1.28.1, 1.29.1, 1.30.1, 1.31.1, 1.32.1	1319616 1.29.1	1319659 1.34.1	1319702 1.35.1, 1.36.1	1320763 1.40.1
		1319617 1.29.1, 1.31.1, 1.32.1	1319660 1.34.1	1319703 1.35.1, 1.36.1	1320764 1.40.1
		1319618 1.29.1, 1.31.1, 1.32.1	1319661 1.34.1, 1.35.1	1319704 1.35.1	1320765 1.40.1
1319595 1.27.1, 1.28.1, 1.29.1, 1.30.1, 1.31.1, 1.32.1	1319619 1.29.1	1319662 1.34.1	1319705 1.35.1	1320989 1.40.1
		1319620 1.29.1, 1.31.1, 1.32.1	1319663 1.34.1	1319706 1.35.1	1321061 1.1.1
		1319621 1.29.1, 1.31.1, 1.32.1	1319664 1.34.1	1319707 1.35.1, 1.36.1	1321062 1.1.1
1319596 1.27.1, 1.28.1, 1.30.1	1319622 1.29.1, 1.31.1, 1.32.1	1319665 1.34.1	1319708 1.35.1	1321148 1.4.1, 1.12.1
1319597 1.27.1, 1.28.1, 1.29.1, 1.30.1, 1.31.1, 1.32.1	1319623 1.29.1, 1.31.1, 1.32.1	1319666 1.34.1	1319709 1.36.1	1321149 1.1.1
		1319624 1.29.1, 1.31.1, 1.32.1	1319667 1.34.1	1319710 1.36.1	1321150 1.5.1, 1.13.1
		1319625 1.29.1, 1.31.1, 1.32.1	1319668 1.34.1	1319711 1.36.1	1321151 1.5.1, 1.13.1
1319598 1.27.1, 1.28.1, 1.29.1, 1.30.1, 1.31.1, 1.32.1	1319626 1.29.1, 1.31.1, 1.32.1	1319669 1.34.1	1319712 1.36.1	1321152 1.13.1
		1319627 1.29.1, 1.31.1, 1.32.1	1319670 1.34.1, 1.35.1, 1.36.1	1319713 1.36.1	1321153 1.3.1, 1.11.1
1319599 1.27.1, 1.28.1, 1.29.1, 1.30.1, 1.31.1, 1.32.1	1319628 1.29.1, 1.31.1, 1.32.1	1319671 1.35.1	1319714 1.36.1	1321154 1.3.1, 1.11.1
		1319629 1.29.1, 1.31.1, 1.32.1	1319672 1.35.1	1319715 1.36.1	1321155 1.7.1, 1.15.1
		1319630 1.29.1, 1.31.1, 1.32.1	1319673 1.35.1	1319716 1.35.1	1321156 1.5.1
1319600 1.27.1, 1.28.1, 1.29.1, 1.30.1, 1.31.1, 1.32.1	1319631 1.29.1, 1.31.1, 1.32.1	1319674 1.35.1	1319717 1.36.1	1321157 1.7.1, 1.15.1
		1319632 1.29.1, 1.31.1, 1.32.1	1319675 1.35.1	1319718 1.37.1	1321158 1.5.1, 1.13.1
		1319633 1.29.1, 1.31.1, 1.32.1	1319676 1.35.1	1319719 1.37.1	1321159 1.5.1, 1.13.1
1319601 1.27.1, 1.28.1, 1.29.1, 1.30.1, 1.31.1, 1.32.1	1319634 1.30.1	1319677 1.35.1	1319720 1.37.1	1321161 1.5.1, 1.13.1
		1319635 1.30.1	1319678 1.35.1	1319721 1.37.1	1321162 1.13.1
		1319636 1.30.1, 1.31.1, 1.32.1	1319679 1.35.1	1319722 1.37.1	1321163 1.13.1
1319602 1.27.1, 1.28.1, 1.29.1, 1.30.1, 1.31.1, 1.32.1	1319637 1.31.1	1319680 1.35.1	1319723 1.37.1	1321164 1.7.1, 1.15.1
		1319638 1.31.1, 1.32.1	1319681 1.35.1	1319724 1.37.1	1321165 1.5.1, 1.13.1
		1319640 1.33.1	1319682 1.35.1	1319725 1.37.1	1321172 1.14.1
		1319641 1.33.1	1319683 1.35.1				
				1319684 1.35.1				

Part Number	Page(s)	Part Number	Page(s)	Part Number	Page(s)	Part Number	Page(s)	Part Number	Page(s)	Part Number	Page(s)	Part Number	Page(s)
1321173	1.13.1	1321227	1.11.1	2716530	6.2.1	2716643	5.1.1	4110226	11.1.1	2716643	5.1.1	4110226	11.1.1
1321174	1.5.1, 1.13.1	1321228	1.7.1	2716531	6.2.1	2716644	5.2.1, 5.2.2	4110238	11.1.1	2716644	5.2.1, 5.2.2	4110238	11.1.1
1321175	1.7.1	1321229	1.10.1	2716532	5.1.1, 5.2.1	2716645	5.2.1, 5.2.2	4110239	11.1.1	2716645	5.2.1, 5.2.2	4110239	11.1.1
1321176	1.15.1	1321231	1.16.1	2716533	5.1.1, 5.2.1	2716646	6.1.1	4110240	11.1.1	2716646	6.1.1	4110240	11.1.1
1321177	1.8.1	1321232	1.8.1	2716534	5.2.1, 5.2.2	2716647	6.1.1	4110241	11.1.1	2716647	6.1.1	4110241	11.1.1
1321178	1.14.1	1321233	1.8.1	2716535	5.2.1, 5.2.2	2716650	8.3.1	5724302	5.2.1, 5.2.2, 8.4.1, 9.1.1, 9.1.2	2716650	8.3.1	5724302	5.2.1, 5.2.2, 8.4.1, 9.1.1, 9.1.2
1321184	1.3.1	1321236	1.12.1	2716536	8.3.1	2716652	9.1.1, 9.1.2	5724742	2.5.1	2716652	9.1.1, 9.1.2	5724742	2.5.1
1321185	1.2.1	1321237	1.10.1	2716537	8.3.1	2716653	9.1.1, 9.1.2	5752022	3.1.1	2716653	9.1.1, 9.1.2	5752022	3.1.1
1321186	1.2.1	1321238	1.16.1	2716538	7.1.1, 8.3.1	2716720	8.3.1	6604662	12.2.1	2716720	8.3.1	6604662	12.2.1
1321187	1.2.1	1321239	1.15.1	2716539	7.1.1, 8.3.1	2716735	5.3.2	6608621	12.2.1	2716735	5.3.2	6608621	12.2.1
1321188	1.11.1	1321242	1.16.1	2716563	8.3.1	2716736	5.4.1	6611752	12.2.1	2716736	5.4.1	6611752	12.2.1
1321189	1.2.1	1321245	1.15.1	2716564	8.4.1	2716737	5.3.1	6620751	3.2.1	2716737	5.3.1	6620751	3.2.1
1321190	1.2.1	1321246	1.15.1	2716566	6.2.1, 8.3.1	2716752	9.1.2	6620971	3.10.1	2716752	9.1.2	6620971	3.10.1
1321191	1.8.1	1321247	1.16.1	2716567	6.2.1	2716790	5.2.1	7057141	2.2.1, 3.5.1, 3.6.1, 3.8.1, 3.9.1, 3.10.1, 3.11.1	2716790	5.2.1	7057141	2.2.1, 3.5.1, 3.6.1, 3.8.1, 3.9.1, 3.10.1, 3.11.1
1321194	1.2.1	1321248	1.2.1	2716568	7.1.1	3810525	3.3.1			3810525	3.3.1		
1321196	1.2.1	1321249	1.7.1	2716569	7.1.1, 8.3.1	4100181	11.1.1			4100181	11.1.1		
1321197	1.2.1	1321250	1.7.1	2716570	7.1.1, 8.3.1	4105171	11.1.1			4105171	11.1.1		
1321198	1.2.1	1321251	1.7.1	2716572	8.1.1	4105262	11.1.1			4105262	11.1.1		
1321199	1.2.1	1321252	1.4.1	2716573	7.1.1, 8.3.1	4106561	12.8.1			4106561	12.8.1		
1321200	1.2.1	1321254	1.7.1	2716574	7.1.1, 8.3.1	4107182	12.6.1			4107182	12.6.1		
1321201	1.2.1	1321255	1.8.1	2716576	8.3.1	4107702	12.2.1			4107702	12.2.1		
1321202	1.2.1	1321256	1.7.1	2716577	8.3.1	4107712	12.2.1			4107712	12.2.1		
1321203	1.2.1	1321257	1.7.1	2716578	7.1.1	4107822	12.6.1			4107822	12.6.1		
1321204	1.2.1	1321258	1.8.1	2716619	9.1.1	4107832	12.6.1			4107832	12.6.1		
1321205	1.8.1	1321259	1.11.1	2716620	5.2.1, 5.2.2	4107901	11.1.1			4107901	11.1.1		
1321210	1.2.1	1321260	1.11.1	2716623	8.3.1	4108181	11.1.1			4108181	11.1.1		
1321211	1.10.1	1321262	1.11.1	2716624	7.1.1, 8.3.1	4108201	11.1.1			4108201	11.1.1		
1321212	1.2.1, 1.10.1	2711992	12.4.1	2716628	5.2.1, 5.2.2	4108302	11.1.1			4108302	11.1.1		
1321214	1.8.1	2715052	5.1.1, 5.2.1	2716629	5.2.1, 5.2.2	4108991	11.1.1			4108991	11.1.1		
1321215	1.3.1	2715312	8.1.1	2716630	8.1.1	4109041	11.1.1			4109041	11.1.1		
1321216	1.11.1	2716143	12.5.1	2716631	6.2.1	4109091	11.1.1			4109091	11.1.1		
1321217	1.3.1	2716153	12.3.1	2716633	6.2.1	4109791	11.1.1			4109791	11.1.1		
1321218	1.3.1	2716373	5.5.1	2716634	5.2.1, 5.2.2	4110116	11.1.1			4110116	11.1.1		
1321219	1.3.1	2716492	5.1.1	2716635	5.2.1, 5.2.2	4110117	11.1.1			4110117	11.1.1		
1321220	1.3.1	2716518	1.38.1	2716636	8.2.1	4110130	11.1.1			4110130	11.1.1		
1321221	1.3.1	2716519	1.38.1	2716637	8.2.1	4110131	11.1.1			4110131	11.1.1		
1321222	1.3.1	2716520	6.2.1	2716638	8.2.1	4110132	11.1.1			4110132	11.1.1		
1321223	1.11.1	2716523	6.2.1, 8.3.1	2716639	8.2.1	4110133	11.1.1			4110133	11.1.1		
1321224	1.11.1	2716524	6.2.1	2716640	8.2.1	4110137	11.1.1			4110137	11.1.1		
1321225	1.3.1	2716525	6.2.1	2716641	6.2.1	4110172	11.1.1			4110172	11.1.1		
1321226	1.15.1	2716529	6.2.1	2716642	5.1.1, 5.2.1	4110184	11.1.1			4110184	11.1.1		

Part Number	Page(s)	Part Number	Page(s)	Part Number	Page(s)	Part Number	Page(s)	Part Number	Page(s)	Part Number	Page(s)
7097543	12.1.1, 12.2.1, 12.4.1	7127102	2.6.1	7134851	4.6.1	7137822	4.3.1	7138760	1.1.1, 1.1.2, 1.2.1	7138839	3.1.1
7110494	12.2.1	7127462	2.1.1	7134863	4.7.1	7138038	9.3.1	7138766	9.3.1	7138843	3.2.1
7110694	12.2.1	7127492	2.1.1	7134873	4.7.1	7138124	3.3.1	7138770	9.2.1	7138844	3.4.1, 3.9.1
7110702	12.2.1	7127552	2.1.1	7135034	10.1.1	7138173	5.6.1	7138773	8.1.1	7138846	3.4.1, 3.11.1
7110712	12.2.1	7127562	2.1.1	7135044	10.2.1	7138193	4.1.1, 4.2.1	7138774	8.1.1	7138850	2.5.1
7110722	12.2.1	7128602	2.5.1	7135413	4.4.1, 4.5.1	7138194	4.3.1	7138775	8.1.1	7138864	3.8.1
7110744	12.2.1	7128772	12.1.1, 12.4.1	7135443	4.1.1, 4.2.1, 4.3.1, 4.4.1, 4.5.1	7138209	6.1.1	7138776	8.1.1	7138865	3.10.1
7111572	4.1.1, 4.2.1, 4.3.1	7128782	12.1.1, 12.4.1	7135444	4.1.1, 4.2.1, 4.3.1, 4.4.1, 4.5.1	7138210	6.1.1	7138778	9.2.1, 9.3.1	7138866	3.17.1
7111994	12.2.1	7128792	12.1.1, 12.4.1	7135444	4.1.1, 4.2.1, 4.3.1, 4.4.1, 4.5.1	7138222	4.7.1	7138779	9.2.1, 9.3.1	7138867	3.17.1
7112523	12.2.1	7128802	12.1.1, 12.2.1, 12.4.1	7135444	4.1.1, 4.2.1, 4.3.1, 4.4.1, 4.5.1	7138224	2.2.1	7138780	9.3.1	7138868	3.17.1
7112533	12.7.1	7129101	2.5.1	7135773	6.5.1	7138230	2.2.1	7138781	9.3.1	7138869	3.17.1
7112642	12.7.1	7129111	2.5.1	7135912	1.1.1, 1.1.2, 1.3.1	7138231	2.2.1	7138782	9.3.1	7138870	3.17.1
7113024	12.6.1	7129121	2.5.1	7135922	1.1.1, 1.1.2, 1.4.1	7138242	2.2.1	7138783	9.3.1	7138871	3.17.1
7114112	4.6.1	7129133	2.5.1	7136073	9.1.1	7138250	3.16.1	7138784	6.2.1	7138872	3.17.1
7114941	12.7.1	7129441	3.8.1, 3.10.1	7136083	9.1.1	7138264	3.2.1	7138785	6.2.1	7138873	3.17.1
7116691	6.5.1	7129521	8.4.1	7136103	9.1.1	7138265	3.2.1	7138786	6.2.1	7138874	3.17.1
7117204	12.4.1	7129973	2.2.1	7136113	9.1.1	7138275	3.11.1	7138787	6.5.1	7138875	3.17.1
7117244	12.4.1	7130131	2.2.1	7136123	9.1.1	7138279	3.2.1	7138788	6.5.1	7138876	3.17.1
7117254	12.4.1	7130412	3.5.1, 3.6.1	7136133	5.2.1	7138280	3.2.1	7138789	6.5.1	7138877	3.17.1
7117264	12.4.1	7130653	3.8.1, 3.10.1	7136322	5.2.1	7138284	3.2.1	7138788	6.5.1	7138878	3.17.1
7118882	4.7.1, 12.1.1	7130663	3.8.1, 3.10.1	7136342	4.4.1, 4.5.1	7138288	6.2.1	7138789	6.5.1	7138879	3.17.1
7118892	4.7.1, 12.1.1	7130682	10.1.1	7136422	3.12.1	7138317	3.17.1	7138790	6.5.1	7138880	3.17.1
7119341	12.4.1	7130734	3.9.1	7136422	6.1.1	7138321	3.2.1	7138791	6.5.1	7138881	3.17.1
7119362	4.6.1, 4.7.1	7130744	3.9.1, 3.11.1	7136742	8.4.1	7138321	3.2.1	7138792	6.5.1	7138882	3.17.1
7119372	4.6.1, 4.7.1	7130773	3.9.1, 3.11.1	7136794	3.7.1	7138336	1.1.2	7138793	6.5.1	7138883	3.17.1
7120613	2.5.1	7130862	3.9.1	7136852	3.1.1	7138337	1.1.2	7138794	6.5.1	7138884	3.17.1
7121422	4.7.1	7131003	3.9.1, 3.11.1	7136892	4.2.1	7138338	1.1.1	7138795	6.5.1	7138885	3.17.1
7121461	4.3.1	7131253	2.2.1	7137022	6.5.1, 9.2.1, 9.3.1	7138339	1.1.1	7138796	6.5.1	7138886	3.17.1
7121531	4.7.1	7131412	3.9.1, 3.11.1	7137082	6.5.1	7138342	3.2.1	7138797	6.5.1	7138887	3.17.1
7121543	3.5.1	7131952	2.2.1	7137142	3.1.1, 4.1.1, 4.2.1	7138515	2.2.1	7138798	6.5.1	7138888	3.17.1
7121951	2.1.1	7131961	10.4.1	7137152	3.8.1	7138530	3.17.1	7138799	6.5.1	7138889	3.17.1
7124331	3.1.1, 4.4.1, 4.5.1	7131992	2.5.1	7137164	3.1.1, 6.1.1	7138620	3.1.1	7138800	6.5.1	7138890	3.17.1
7124531	3.9.1, 3.11.1, 3.10.1	7132002	2.2.1	7137333	3.2.1	7138623	4.5.1	7138801	6.5.1	7138891	3.17.1
7125741	12.4.1	7132012	2.2.1	7137343	3.2.1	7138642	4.1.1, 4.2.1	7138802	6.5.1	7138892	3.17.1
7126172	4.1.1, 4.2.1, 4.3.1, 4.4.1, 4.5.1	7132111	2.5.1	7137364	3.1.1	7138656	1.1.1	7138803	6.5.1	7138893	3.17.1
7126182	4.1.1, 4.2.1, 4.3.1, 4.4.1, 4.5.1	7132131	2.5.1	7137593	3.1.1	7138657	1.1.2	7138804	6.5.1	7138894	3.17.1
7126662	4.6.1	7132141	2.1.1	7137603	5.1.1	7138682	3.2.1	7138805	6.5.1	7138895	3.17.1
7126703	2.2.1	7132751	3.9.1, 3.11.1	7137623	3.4.1	7138686	2.3.1	7138806	6.5.1	7138896	3.17.1
7127091	2.6.1	7133932	8.1.1	7137634	3.3.1	7138691	3.10.1	7138807	6.5.1	7138897	3.17.1
		7133942	8.1.1	7137664	3.11.1	7138736	2.5.1	7138808	6.5.1	7138898	3.17.1
		7134453	3.8.1, 3.10.1	7137772	4.1.1, 4.2.1	7138756	3.4.1	7138809	6.5.1	7138899	3.17.1

Numerical Index

Part Number	Page(s)	Part Number	Page(s)	Part Number	Page(s)	Part Number	Page(s)	Part Number	Page(s)	Part Number	Page(s)
71390993.17.1	715067310.4.1	80350456.9.1	80353706.7.1, 6.8.1	80354363.13.1		
71391013.17.1	715067410.4.1	80350936.4.1	80353726.9.1, 6.10.1, 6.11.1	80354373.13.1		
71391584.1.1, 4.2.1	715067510.4.1	803509811.2.1	80353736.9.1, 6.10.1, 6.11.1	80354383.13.1		
71392289.1.2	715067910.4.1	803509911.2.1	80353746.9.1, 6.10.1, 6.11.1	80354393.13.1		
71392299.1.2	715068010.4.1	80351002.1.1	80353756.9.1, 6.10.1, 6.11.1	80354403.13.1		
71392305.2.1, 5.2.2	715068110.4.1	80351091.3.1, 1.4.1	80353766.9.1, 6.10.1, 6.11.1	80354413.13.1		
71392365.2.1, 5.2.2	715068510.4.1	80352596.4.1, 6.4.2	80353776.9.1, 6.10.1, 6.11.1	80354423.13.1		
71392382.1.1, 2.5.1, 6.1.1, 11.2.1	715068710.4.1	80352616.4.1, 6.4.2	80353786.9.1, 6.10.1, 6.11.1	80354433.13.1		
71392483.1.1	715068810.4.1	80352626.4.1	80353816.9.1, 6.10.1, 6.11.1	80354443.13.1		
71392493.1.1	715068910.4.1	80352636.4.1, 6.4.2	80353886.9.1, 6.10.1, 6.11.1	80354453.13.1		
71392785.2.2, 9.1.2	715069010.4.1	803527610.2.1	80353896.9.1, 6.10.1, 6.11.1	80354463.13.1		
71392799.1.2	715069910.4.1	80352782.1.1	80353903.15.1, 3.16.1	80354473.13.1		
71392805.2.2	715070210.4.1	80352818.5.1	80353933.15.1	80354483.13.1		
71392973.1.1	715071610.4.1	80352828.5.1	80353943.15.1	80354493.13.1		
71393094.4.1	715071710.4.1	80352922.5.1	80353983.10.1	80354503.13.1		
71393243.1.1, 4.1.1, 4.2.1	715073010.4.1	80352943.12.1	80353993.10.1	80354523.13.1		
71393304.1.1, 4.2.1	715074210.4.1	80353085.3.1, 5.3.2, 5.6.1	80354003.10.1	80354533.13.1		
71393314.1.1, 4.2.1	802401311.1.1	80353095.3.1, 5.6.1	80354013.13.1	80354543.13.1		
71393321.1.2	802401411.1.1	80353215.6.1	80354023.10.1	80354553.13.1		
71393331.1.2	802565512.3.1	80353228.3.1, 8.4.1	80354043.10.1	80354563.13.1		
71393353.1.1	80329896.12.1	80353238.3.1, 8.4.1	80354053.10.1	80354573.13.1		
71394054.1.1	80329906.12.1	80353248.3.1, 8.4.1	80354063.17.1, 3.10.1	80354583.13.1		
71394273.2.1	80329916.12.1	80353268.3.1, 8.4.1	80354103.16.1	80354593.13.1		
71394283.2.1	80329926.12.1	80353456.6.1	80354123.17.1	80354603.13.1		
71394294.1.1	80329936.12.1	80353466.6.1	80354143.17.1	80354613.13.1		
71394435.2.2, 9.1.2	80329946.12.1	80353476.6.1	80354153.17.1	80354623.13.1		
71394602.3.1	80329956.12.1	80353486.6.1	80354163.16.1	80354633.13.1		
71394612.3.1	80330041.2.1, 1.3.1, 1.4.1	80353506.7.1, 6.8.1	80354173.17.1	80354643.13.1		
713949210.4.1	80330323.17.1, 3.10.1	80353556.9.1, 6.10.1, 6.11.1	80354223.17.1	80354663.13.1		
713949610.4.1	80330583.13.1	80353566.9.1, 6.10.1, 6.11.1	80354233.17.1	80354673.13.1		
713949710.4.1	80330723.13.1	80353576.9.1, 6.10.1, 6.11.1	80354243.17.1	80354683.13.1		
71395023.1.1, 4.1.1, 4.2.1	80331782.6.1	80353586.7.1, 6.8.1	80354253.17.1	80354693.13.1		
71395544.1.1, 4.2.1	803378612.3.1	80353596.9.1, 6.10.1, 6.11.1	80354263.17.1	80354703.3.1, 3.13.1		
71395731.1.1, 1.1.2	803379012.3.1	80353606.7.1, 6.8.1	80354273.17.1	80354713.13.1		
713961510.4.1	80346976.6.1, 6.7.1, 6.8.1	80353616.7.1, 6.8.1	80354283.17.1	80354723.13.1		
713963411.1.1	80347983.13.1	80353626.7.1, 6.8.1	80354303.17.1	80354743.14.1		
713963511.1.1	80347993.13.1	80353656.9.1, 6.10.1, 6.11.1	80354313.17.1	80354793.16.1		
713963611.1.1	80348033.14.1	80353666.9.1, 6.10.1, 6.11.1	80354323.17.1	80354853.14.1		
713963711.1.1	80348053.14.1	80353676.7.1, 6.8.1	80354333.17.1	80354883.14.1		
713966210.4.1	80348083.14.1	80353686.7.1, 6.8.1	80354343.17.1	80354893.14.1		
		80348153.15.1	80353696.7.1, 6.8.1	80354353.13.1, 3.17.1	80354903.12.1		

Part Number	Page(s)	Part Number	Page(s)	Part Number	Page(s)	Part Number	Page(s)	Part Number	Page(s)	Part Number	Page(s)	Part Number	Page(s)
8035492	3.16.1	8035759	5.3.1	8035859	9.4.1	8035903	1.2.1	8035951	1.5.1, 1.13.1				
8035493	3.16.1	8035763	5.4.1	8035860	9.4.1	8035904	1.2.1	8035959	1.7.1				
8035494	3.16.1	8035764	5.4.1	8035861	12.3.1	8035905	1.2.1	8035960	1.7.1				
8035495	3.16.1	8035765	5.4.1	8035862	12.3.1	8035906	1.2.1	8035961	1.7.1				
8035496	3.16.1	8035766	5.4.1	8035863	12.3.1	8035907	1.2.1	8035962	1.7.1				
8035497	3.16.1	8035769	5.4.1	8035865	12.5.1	8035908	1.2.1	8035963	1.7.1				
8035498	3.16.1	8035774	6.3.1	8035866	12.5.1	8035909	1.2.1	8035964	1.7.1				
8035499	3.16.1	8035775	6.3.1	8035867	12.5.1	8035910	1.2.1	8035965	1.7.1				
8035500	3.16.1	8035776	6.3.1	8035868	12.5.1	8035911	1.2.1	8035966	1.7.1				
8035501	3.14.1, 3.16.1	8035777	8.1.1	8035870	1.2.1	8035912	1.2.1	8035967	1.7.1				
8035503	3.16.1	8035778	1.2.1, 1.3.1, 1.4.1	8035871	1.2.1	8035913	1.2.1	8035968	1.7.1				
8035504	3.16.1	8035779	1.2.1	8035872	1.2.1	8035914	1.2.1	8035969	1.7.1				
8035505	3.16.1	8035781	8.5.1	8035873	1.2.1	8035915	1.2.1	8035970	1.7.1				
8035507	3.14.1	8035782	8.5.1	8035874	1.2.1	8035916	1.2.1	8035971	1.7.1				
8035509	3.14.1	8035783	8.4.1	8035875	1.2.1	8035917	1.2.1	8035972	1.7.1				
8035523	11.2.1	8035784	8.5.1	8035876	1.2.1	8035918	1.2.1	8035973	1.7.1, 1.15.1				
8035524	3.12.1	8035785	8.5.1	8035877	1.2.1	8035919	1.2.1	8035974	1.7.1				
8035525	3.12.1	8035799	6.12.1	8035878	1.2.1	8035920	1.2.1	8035975	1.7.1				
8035526	3.13.1	8035803	3.4.1	8035879	1.2.1	8035921	1.2.1	8035977	1.8.1, 1.16.1				
8035527	3.12.1	8035804	3.4.1	8035880	1.2.1	8035922	1.3.1	8035978	1.1.1				
8035528	3.13.1	8035807	10.1.1	8035881	1.2.1	8035923	1.3.1	8035979	1.1.1				
8035529	3.13.1	8035830	12.3.1	8035882	1.2.1	8035924	1.4.1	8035980	1.1.1				
8035531	3.16.1	8035831	12.5.1	8035883	1.2.1	8035925	1.4.1	8035981	1.1.1				
8035536	12.3.1	8035834	6.6.1	8035884	1.2.1	8035927	1.4.1	8035982	1.10.1				
8035546	5.5.1	8035835	6.6.1	8035886	1.2.1	8035928	1.4.1	8035983	1.10.1				
8035547	5.5.1	8035836	6.6.1	8035887	1.2.1	8035929	1.4.1, 1.12.1	8035984	1.11.1				
8035548	5.5.1	8035839	6.7.1	8035888	1.2.1	8035930	1.4.1, 1.12.1	8035985	1.11.1				
8035549	5.5.1	8035840	6.10.1	8035889	1.2.1	8035931	1.4.1, 1.12.1	8035986	1.12.1				
8035550	5.5.1	8035841	6.6.1	8035890	1.2.1	8035932	1.4.1, 1.12.1	8035987	1.12.1				
8035551	5.6.1	8035842	6.11.1	8035891	1.2.1	8035933	1.4.1, 1.12.1	8035989	1.12.1				
8035552	5.6.1	8035843	6.6.1	8035892	1.2.1	8035936	1.5.1, 1.13.1	8035990	1.12.1				
8035553	5.6.1	8035844	6.6.1	8035893	1.2.1	8035939	1.5.1, 1.13.1	8035992	1.15.1				
8035606	3.3.1	8035845	6.7.1, 6.8.1, 6.10.1, 6.11.1	8035894	1.2.1	8035940	1.5.1	8035993	1.15.1				
8035721	3.12.1	8035846	6.9.1	8035895	1.2.1	8035941	1.5.1	8035994	1.15.1				
8035722	3.13.1	8035847	6.10.1, 6.11.1	8035896	1.2.1	8035943	1.5.1	8035995	1.15.1				
8035744	6.4.1, 6.4.2	8035849	6.6.1	8035897	1.2.1	8035944	1.5.1, 1.13.1	8035996	1.15.1				
8035745	6.4.1, 6.4.2	8035850	6.6.1	8035898	1.2.1	8035945	1.13.1	8035997	1.15.1				
8035746	6.4.1, 6.4.2	8035855	6.10.1	8035899	1.2.1	8035946	1.13.1	8036002	1.37.1				
8035747	6.4.1, 6.4.2	8035856	6.7.1, 6.8.1	8035900	1.2.1	8035947	1.13.1	8036003	1.37.1				
8035757	8.3.1	8035856	6.7.1, 6.8.1	8035901	1.2.1	8035948	1.13.1	8036004	1.37.1				
8035758	8.3.1	8035858	9.4.1	8035902	1.2.1	8035949	1.5.1	8036005	1.37.1				

Numerical Index

Part Number	Page(s)	Part Number	Page(s)	Part Number	Page(s)	Part Number	Page(s)	Part Number	Page(s)	Part Number	Page(s)	Part Number	Page(s)
80360076.7.1, 6.8.1	80362716.4.2	81803112.2.1	827013910.2.1	83036703.2.1, 3.5.1, 3.6.1, 3.8.1, 3.10.1				
80360093.5.1	80362723.3.1	820565512.5.1	82702202.1.1	83036752.1.1, 4.1.1, 4.2.1, 6.2.1				
80360103.5.1	80362733.3.1, 3.15.1	82056565.4.1	82702212.1.1	83036794.1.1, 4.2.1, 4.4.1, 4.5.1				
80360113.5.1	80362743.14.1	822034410.1.1	827062110.1.1	83036813.2.1, 4.1.1, 4.2.1, 4.3.1, 4.4.1, 4.5.1, 10.4.1				
80360133.5.1	80362753.3.1, 3.16.1	822034610.1.1	82720172.1.1	83036933.1.1, 4.3.1, 6.5.1				
80360143.5.1	80362763.16.1	822035610.2.1, 10.3.1	82740222.5.1, 11.2.1	83036972.2.1, 3.9.1				
80360153.5.1	80362783.3.1	822035710.2.1, 10.3.1, 10.4.1	82750402.3.1	83037036.5.1, 9.2.1, 9.3.1				
80360173.5.1	80362793.3.1	82209123.17.1	82752092.5.1	83037055.2.1, 5.2.2, 7.1.1, 8.3.1, 9.1.1, 9.1.2, 12.2.1				
80360198.5.1	80362816.6.1	822303810.3.1	82752122.3.1	83037363.17.1				
80360208.5.1	80362826.6.1	822303910.3.1	82752402.3.1	83037393.8.1, 3.9.1, 3.10.1, 3.11.1, 12.4.1				
80360745.3.2	80362836.6.1	822304010.3.1	82752472.3.1	83037432.2.1, 5.2.1, 9.1.1, 9.2.1, 9.3.1				
80361263.17.1, 3.10.1	80362846.6.1	822304610.1.1	82752492.3.1	83037443.2.1				
80361836.6.1	80362856.6.1, 6.7.1, 6.8.1, 6.9.1, 6.10.1, 6.11.1	822304710.3.1	82771612.1.1	830374510.4.1				
80361946.11.1	80362866.9.1, 6.10.1	822304810.3.1	82780082.2.1	83037463.9.1, 3.11.1				
803620910.4.1	80362876.11.1	82230493.4.1	82780212.1.1	83037523.1.1, 4.1.1, 4.2.1				
803621010.4.1	80362888.5.1	822305010.3.1	82780232.2.1	83037558.4.1				
803621210.4.1	80362898.5.1	822305110.3.1	82780242.2.1	83037598.2.1				
803621310.4.1	80362908.5.1	822305310.1.1	82780263.8.1, 3.10.1	83037666.5.1				
803621410.4.1	80362993.10.1	822305410.3.1	82780282.1.1	83037691.1.1, 1.1.2, 1.25.1				
803621510.4.1	80363003.17.1	822305910.3.1, 10.4.1	82780302.1.1	830377012.4.1				
803621610.4.1	80363013.17.1	822306010.3.1, 10.4.1	82780332.1.1	830377110.4.1				
803621710.4.1	80363023.17.1	822306110.3.1	830145612.7.1	83037724.7.1				
803621810.4.1	80363033.17.1	82230626.1.1	83030054.1.1	83037902.1.1, 2.6.1				
803621910.4.1	80372063.13.1	82232266.1.1	83030343.9.1	83037981.1.1, 1.1.2				
803622010.4.1	80402611.1.2	82232276.1.1	83035383.1.1	83037992.6.1, 3.7.1				
803622110.4.1	80402621.1.2	822322910.2.1	83035403.11.1, 10.3.1	83038362.5.1, 3.7.1				
803622210.4.1	80402691.1.1	822323110.1.1	83035443.7.1	83038372.5.1, 2.6.1				
80362285.4.1	80402701.1.1	822323210.2.1	830358110.4.1	830398210.4.1				
80362295.3.1, 5.3.2, 5.4.1	80500013.1.1, 4.1.1, 4.2.1	822345310.1.1	83036152.6.1, 3.2.1	83040063.3.1				
80362305.4.1	80500073.1.1, 4.1.1, 4.2.1	82235266.1.1	83036204.3.1, 6.5.1	83046723.4.1				
80362375.3.1	80500725.3.1, 5.3.2	822353010.2.1	83036212.1.1, 2.2.1, 3.2.1, 4.1.1, 4.2.1, 4.3.1, 4.4.1, 4.5.1	83050022.6.1, 10.4.1				
80362385.3.2	80557605.3.1	822511910.3.1, 10.4.1	83036224.3.1, 10.4.1						
80362405.3.2	806506212.2.1, 12.3.1	822903010.4.1	83036244.6.1, 4.7.1						
80362415.3.2	806563412.4.1, 12.5.1	822924210.3.1	83036263.2.1, 6.2.1, 12.7.1						
80362458.4.1	81241264.6.1, 4.7.1	822924310.3.1	83036276.5.1						
80362468.4.1	81270164.7.1	822924410.3.1	830363412.1.1, 12.2.1, 12.4.1						
80362478.4.1	81270184.6.1	822924510.3.1	83036384.7.1						
80362488.4.1	81302113.1.1, 4.1.1, 4.2.1	822924710.3.1, 10.4.1	83036588.4.1						
80362606.6.1, 6.9.1, 6.10.1, 6.11.1	81600732.6.1	82621502.1.1	83036664.7.1						
80362636.6.1	81606102.6.1	827013410.2.1								
		81620032.6.1	827013810.2.1								

Part Number	Page(s)	Part Number	Page(s)	Part Number	Page(s)	Part Number	Page(s)	Part Number	Page(s)	Part Number	Page(s)		
83050043.2.1, 6.5.1, 9.2.1, 9.3.1	83070053.2.1, 3.3.1, 3.4.1, 4.1.1, 4.2.1, 4.3.1, 4.4.1, 4.5.1, 6.2.1, 6.5.1, 10.4.1	83079184.7.1, 12.2.1	831036610.1.1	84052032.2.1	83103723.4.1	84052096.2.1
83050066.5.1	83070071.1.1, 1.1.2, 1.2.1, 4.3.1, 4.6.1, 4.7.1, 6.2.1, 8.4.1, 12.7.1	8310009	8.3.1	83103743.9.1	84100093.17.1	83100293.15.1	84100132.5.1
83050083.3.1, 6.5.1	83070104.1.1, 4.2.1	83100163.9.1, 3.11.1, 10.1.1	83103753.8.1, 3.10.1	84200539.1.1, 9.1.2, 12.2.1, 12.4.1	83100611.1.1, 1.1.2, 3.1.1	842005512.4.1
83050128.4.1, 12.7.1	83070231.1.1, 1.1.2, 2.1.1, 8.4.1	83100194.6.1, 4.7.1	831037610.4.1	84300059.1.1, 9.1.2, 12.2.1, 12.4.1	83100673.8.1, 3.10.1	84300069.1.1, 9.1.2, 12.2.1, 12.4.1
83054022.6.1	83070242.6.1, 3.7.1	83100293.15.1	83103806.5.1	84300326.2.1, 8.3.1, 9.3.1	83100764.1.1, 4.2.1	84300336.2.1
83054043.5.1, 3.6.1	83070252.1.1, 2.6.1, 6.2.1	831007810.4.1	83103829.3.1	84300439.3.1	83100841.1.1, 1.1.2, 1.2.1	84300483.17.1
83055233.12.1	83070491.1.1, 1.1.2	83100841.1.1, 1.1.2, 1.2.1	83103889.3.1	84300722.5.1	83100853.9.1, 3.11.1, 10.1.1	84300816.2.1, 8.3.1, 9.3.1
83056032.2.1, 6.2.1, 6.5.1, 10.2.1	83071044.1.1, 4.2.1, 4.6.1, 4.7.1	83100903.1.1	83104023.11.1	84300922.5.1	83100994.7.1	84300992.5.1
83056194.7.1	83071062.2.1, 3.2.1, 3.5.1, 3.6.1, 10.4.1	83101042.2.1	83104043.1.1	84300942.5.1	83101092.1.1	84300942.5.1
83056243.2.1, 3.9.1, 10.1.1, 10.3.1	83071072.1.1	83101092.1.1	83104061.1.1, 1.1.2	84300952.5.1	83101243.8.1, 3.10.1	84401566.4.1
83056262.2.1, 3.1.1, 3.2.1, 3.5.1, 3.6.1, 3.9.1, 4.1.1, 4.2.1, 6.1.1, 10.4.1, 12.4.1	83071092.6.1, 3.2.1, 3.11.1, 3.17.1, 10.1.1	83101243.8.1, 3.10.1	83104849.3.1	84401626.4.2	831016012.2.1	84640136.1.1
83056432.1.1, 4.1.1, 4.2.1, 4.6.1, 4.7.1, 12.1.1, 12.2.1, 12.4.1	83071102.1.1, 3.2.1, 3.3.1, 10.2.1	831016112.2.1	83104883.4.1	84663063.9.1, 3.11.1	83101642.1.1, 6.2.1	846701710.1.1
83056443.2.1, 4.7.1, 6.5.1, 12.6.1, 12.7.1	830711110.1.1, 10.4.1	831019512.6.1	83104903.4.1	850020310.4.1	83102014.6.1	85200013.1.1, 4.4.1, 4.5.1, 4.6.1
83056452.1.1, 2.2.1, 3.5.1, 3.6.1, 4.6.1, 4.7.1, 5.2.2, 9.1.2, 10.2.1, 10.4.1, 12.4.1	83071123.1.1, 3.2.1, 6.2.1, 12.6.1, 12.7.1	83102094.1.1, 4.2.1	83104923.4.1	85200033.1.1, 4.1.1, 4.2.1, 4.7.1	83102764.7.1, 12.1.1	85200135.6.1
83056464.6.1, 4.7.1	83071132.1.1, 4.1.1, 4.2.1	83102594.1.1, 4.2.1	83105324.1.1, 4.2.1	85200214.2.1, 5.6.1	83102853.1.1	852001211.2.1
83056474.1.1, 4.2.1	83072022.2.1, 3.2.1, 3.9.1, 4.1.1, 6.5.1, 9.2.1, 9.3.1	83102664.7.1, 12.1.1	83105494.1.1, 4.2.1	852002211.2.1	83102892.1.1	85200175.3.1, 5.4.1, 5.5.1, 5.6.1, 8.3.1, 8.4.1, 11.2.1, 12.3.1, 12.5.1
83056502.6.1	83072033.2.1, 3.8.1, 3.9.1, 3.10.1, 3.11.1, 6.5.1, 12.4.1	83102764.7.1, 12.1.1	83105504.1.1, 4.2.1	852002310.4.1	83102816.5.1	85200365.4.1, 12.3.1
83059063.2.1, 3.8.1, 3.10.1	83072042.2.1, 3.2.1, 3.5.1, 3.6.1, 4.1.1, 4.2.1, 6.5.1, 10.2.1, 10.4.1	83102853.1.1	83103153.4.1	852004110.1.1	83102853.1.1	85200423.9.1, 3.11.1, 11.2.1
83064079.1.1, 9.1.2	83072063.9.1, 3.11.1, 6.5.1, 8.4.1	83103268.4.1	83103278.4.1	85200424.6.1	83103278.4.1	85200433.1.1, 4.1.1, 4.2.1, 4.7.1
83070022.2.1, 2.6.1, 3.2.1, 3.11.1, 3.17.1, 4.1.1, 5.2.1, 6.5.1, 8.1.1, 9.1.1, 9.2.1, 9.3.1, 10.3.1	83072113.1.1	83103278.4.1	83103332.1.1	85200434.7.1, 5.3.1, 5.6.1	83103343.2.1	85200444.2.1, 5.6.1
83070032.5.1, 2.6.1, 3.7.1, 10.4.1	83072193.7.1	83103343.2.1	83103343.2.1	852004411.2.1	831034410.2.1	852004511.2.1
83070042.2.1, 3.2.1, 3.8.1, 3.9.1, 3.10.1, 3.11.1, 5.2.1, 5.2.2, 6.5.1, 7.1.1, 8.3.1, 8.2.1, 9.1.1, 9.1.2	83072206.2.1	831034410.2.1	83103533.11.1	852004611.2.1	83103533.9.1, 3.11.1	852004711.2.1

Part Number	Page(s)	Part Number	Page(s)	Part Number	Page(s)	Part Number	Page(s)	Part Number	Page(s)	Part Number	Page(s)
85260521.40.1, 11.2.1	87200163.4.1	87700686.2.1, 8.3.1, 8.1.1, 8.2.1, 9.2.1, 9.3.1	87701295.2.1, 5.2.2, 7.1.1, 8.3.1, 9.1.1, 9.1.2	88802181.1.1, 1.1.2, 1.3.1, 1.4.1	89021758.3.1, 9.2.1, 9.3.1
85260532.5.1, 11.2.1	87200173.4.1	8770070	..1.38.1, 5.1.1, 5.2.1, 6.2.1	87701307.1.1, 8.3.1	89021806.5.1, 9.3.1, 9.4.1	89021826.5.1, 6.12.1, 9.3.1
85260561.40.1, 11.2.1	87210293.4.1, 7.1.1, 8.3.1	87700755.2.1, 5.2.2, 9.1.1, 9.1.2	87701318.3.1	89021836.5.1, 6.6.1, 9.3.1	89021916.5.1, 9.2.1, 9.3.1
852807111.2.1	87500127.1.1, 8.3.1	87700795.1.1, 5.2.1	87701326.2.1	89021956.12.1	89021966.2.1, 6.12.1
852807411.2.1	87500157.1.1, 8.3.1, 8.2.1	87700806.2.1	87701339.1.1, 9.1.2	89021978.4.1	89022006.2.1, 6.3.1
852808011.2.1	87500167.1.1, 8.3.1	87700836.2.1	87701369.2.1, 9.3.1	89022016.5.1, 6.6.1	89022028.4.1
852810111.2.1	87500177.1.1, 8.3.1, 9.2.1, 9.3.1	87700855.1.1, 5.2.1	87701378.3.1, 8.1.1	89022715.3.1, 5.3.2, 5.4.1	89022748.3.1, 8.4.1
852810511.2.1	87500189.2.1, 9.3.1	87700865.1.1, 5.2.1	87701551.38.1	890251112.5.1	890251112.5.1
852810611.2.1	87500199.2.1, 9.3.1	87700896.2.1	87701605.1.1, 5.2.1	89026936.12.1, 9.4.1	89026946.12.1, 9.4.1
85300306.2.1	87500209.2.1, 9.3.1	87700956.2.1	87701635.2.1, 5.2.2	89026966.12.1	89026976.12.1
85400233.17.1	87500219.2.1, 9.3.1	87700966.2.1	87701668.3.1	89026986.12.1	89027006.12.1
85414042.5.1	875002210.2.1	87701026.2.1, 7.1.1	87701675.2.1, 5.2.2, 7.1.1, 8.3.1	890284212.3.1	89901223.9.1
854143312.4.1	875002610.2.1	87701058.3.1, 8.2.1	87701688.3.1	89901473.11.1		
85464076.2.1	87500279.1.1, 9.1.2	87701066.5.1, 8.3.1, 8.1.1, 8.2.1, 9.2.1, 9.3.1	87701698.3.1				
85801183.4.1	87500279.1.1, 9.1.2	87701078.1.1	87701758.3.1				
858031512.2.1	876011012.4.1	87701088.1.1, 9.2.1, 9.3.1	87701768.3.1				
85804202.2.1	876011312.2.1	87701098.3.1	87701838.3.1				
8580421	..3.9.1, 3.11.1, 10.1.1	876011712.4.1	87701118.3.1, 8.1.1	87701868.2.1, 9.3.1				
85804213.17.1, 10.1.1, 10.4.1, 12.2.1, 12.4.1	876031112.2.1	87701128.3.1	87765788.3.1				
858400110.4.1, 12.2.1, 12.4.1	876031312.2.1	87701145.2.1, 5.2.2, 6.1.1, 6.2.1, 7.1.1, 8.3.1, 8.1.1, 9.2.1, 9.3.1	87800361.1.2				
85840183.17.1, 10.1.1, 10.4.1	876040912.2.1	87701155.2.1, 5.2.2, 7.1.1, 8.3.1, 8.2.1	87800461.1.1				
86300103.9.1, 3.11.1	8760419	..6.1.1, 6.6.1, 6.11.1	87701166.2.1, 7.1.1, 8.3.1, 8.2.1, 9.1.1, 9.1.2, 9.2.1, 9.3.1	87800501.1.1, 1.1.2				
86300166.2.1	87604208.5.1	87701175.2.1, 5.2.2, 7.1.1, 8.3.1	87865141.1.1, 1.1.2				
86400178.4.1	87604516.12.1	87701188.3.1	88410411.1.1, 1.1.2, 1.40.1				
86400256.11.1	876047512.2.1	87701248.2.1, 9.1.1, 9.1.2, 9.2.1, 9.3.1	88410421.1.1, 1.1.2				
864002812.2.1, 12.4.1	87605359.3.1	87701255.2.1, 5.2.2, 7.1.1, 8.3.1, 9.2.1, 9.3.1	88640193.5.1, 3.6.1				
864002912.2.1, 12.4.1	87605459.3.1	87701266.1.1	88640533.5.1				
864003212.2.1, 12.4.1	87691225.2.1, 5.2.2, 9.1.1, 9.1.2	87701276.2.1, 7.1.1, 8.3.1, 8.1.1, 8.2.1	88640553.6.1				
86401236.2.1	87691237.1.1, 8.3.1, 8.2.1, 9.1.1, 9.1.2	87701285.2.1, 5.2.2, 7.1.1, 8.3.1, 9.1.1, 9.1.2	88640563.6.1				
86402086.2.1	87691285.2.1, 5.2.2, 7.1.1, 8.3.1, 9.1.1, 9.1.2	87701299.2.1, 9.3.1	88640573.5.1				
864200112.4.1	876913212.2.1	87701305.2.1, 5.2.2, 7.1.1, 8.3.1, 9.1.1, 9.1.2	88640583.5.1, 3.6.1				
864220712.2.1	87691539.1.1, 9.1.1	87701326.2.1	88640603.6.1				
86422244.4.1, 4.5.1	87691545.2.1, 9.1.1	87701369.1.1, 9.1.2	88663412.2.1				
864223512.4.1	87700016.1.1	87701375.2.1, 5.2.2, 7.1.1, 8.3.1, 9.1.1, 9.1.2, 9.2.1, 9.3.1	88664923.15.1				
86422374.6.1, 4.7.1	877001212.2.1	87701389.2.1, 9.3.1	88665143.7.1				
86600102.5.1	877001612.2.1	87701428.3.1, 8.1.1	88665153.7.1				
86600112.5.1	87700668.1.1, 9.2.1, 9.3.1	87701476.1.1	88665163.7.1				
86600123.2.1					88665293.7.1				
87001162.6.1					88665303.7.1				
87021573.2.1										
87021603.2.1										

The parts information in this publication is based on data available at the time it was printed. Because of continual improvement and advancing product design, your vehicle may not be identical to the parts information shown. Whenever there is a question, obtain the latest parts information available from your local dealer. JLG Industries, Inc. continually updates these publications electronically within our [OnLine Services](#).



Benefits

- Available 24 hours a day, 7 days a week for your convenience.
- Prices and parts manuals are always current - reduces errors and saves time.
- Improves service to your customers with quick access to valuable information.
- Reduces time required to gather information.
- Reduces processing time for warranty claims.

Program Features

- In a few easy steps you can:
- Look-up prices and availability.
- Identify parts using graphical parts manuals.
- Enter orders using part numbers, or order by selecting from graphical parts manuals.
- Review order status.
- Review invoices and credits.
- Review shipping information.
- Submit warranty claims

Visit Us at

<http://www.jlg.com>

CORPORATE OFFICE
JLG INDUSTRIES, INC.

1 JLG Drive

McConnellsburg, PA, USA

17233-9533

Phone: (717) 485-5161

Toll Free: (877) 554-5438

Fax: (717) 485-6417

Service Direct: (717) 485-6657 Service Fax: (717) 485-6488 or (717) 485-6815
Parts Direct: (717) 485-6472 Parts Fax: (800) 733-8939 or (717) 485-6441

JLG Industries (Australia)
P.O. Box 5119
11 Bolwarra Road
Port Macquarie
N.S.W. 2444
Australia
Phone: (61) 2 65 811111
Fax: (61) 2 65 810122

JLG Industries (UK)
Unit 12, Southside
Bredbury Park Industrial
Estate
Bredbury
Stockport
SK6 2SP
England
Phone: (44) 870 200 7700
Fax: (44) 870 200 7711

JLG Deutschland GmbH
Max Planck Strasse 21
D-27721 Ritterhude/Inpohl
Bei Bremen
Germany
Phone: (49) 421 693 500
Fax: (49) 421 693 5035

JLG Industries (Italia)
Via Po, 22
20010 Pregnana Milanese-MI
Italy
Phone: (39) 02 9359 5210
Fax: (39) 02 9359 5845

JLG Latino Americana Ltda.
Rua Eng. Carlos Stevenson,
80-Suite71
13092-310 Campinas-SP
Brazil
Phone: (55) 19 3295 0407
Fax: (55) 19 3295 1025

JLG Europe B.V.
Jupiterstraat 234
2132 HJ Hooftdorp
The Netherlands
Phone: (31) 23 565 5665
Fax: (31) 23 557 2493

JLG Industries (Norge AS)
Sofeimyrveien 12
N-1412 Sofienyr
Norway
Phone: (47) 6682 2000
Fax: (47) 6682 2001

JLG Polska
Ul. Krolewska
00-060 Warszawa
Poland
Phone: (48) 91 4320 245
Fax: (48) 91 4358 200

JLG Industries (Europe)
Kilmartin Place,
Tannochside Park
Uddingston G71 5PH
Scotland
Phone: (44) 1 698 811005
Fax: (44) 1 698 811055

JLG Industries (Pty) Ltd.
Unit 1, 24 Industrial Complex
Herman Street
Meadowdale
Germiston
South Africa
Phone: (27) 11 453 1334
Fax: (27) 11 453 1342

Plataformas Elevadoras
JLG Iberica, S.L.
Trapadella, 2
P.I. Castellbisbal Sur
08755Castellbisbal
Spain
Phone: (34) 93 77 24700
Fax: (34) 93 77 11762

JLG Industries (Sweden)
Enkopingsvagen 150
Box 704
SE - 175 27 Jarfalla
Sweden
Phone: (46) 8 506 59500
Fax: (46) 8 506 59534

Visit our Web Site at: <http://www.jlg.com>